



US00D906140S

(12) **United States Design Patent** (10) **Patent No.:** **US D906,140 S**
Wang (45) **Date of Patent:** **** Dec. 29, 2020**

- (54) **FOOD THERMOMETER**
- (71) Applicant: **FINEMOLD TECHNOLOGIES CO., LIMITED**, Shenzhen (CN)
- (72) Inventor: **Baohong Wang**, Shaoyang (CN)
- (**) Term: **15 Years**
- (21) Appl. No.: **29/735,281**
- (22) Filed: **May 20, 2020**
- (51) **LOC (12) Cl.** **10-04**
- (52) **U.S. Cl.**
USPC **D10/57**
- (58) **Field of Classification Search**
USPC D10/57
CPC G01K 2207/02; G01K 2207/04; G01K 2207/06; G01K 2207/08
See application file for complete search history.

- (56) **References Cited**
U.S. PATENT DOCUMENTS
D545,223 S 6/2007 Chen
7,711,515 B2* 5/2010 Burdett G01K 1/02
702/136

10,288,491 B2* 5/2019 Ganrude G01K 1/08
D852,654 S 7/2019 Zou
D884,499 S * 5/2020 Yi G01K 1/02
D10/57

* cited by examiner

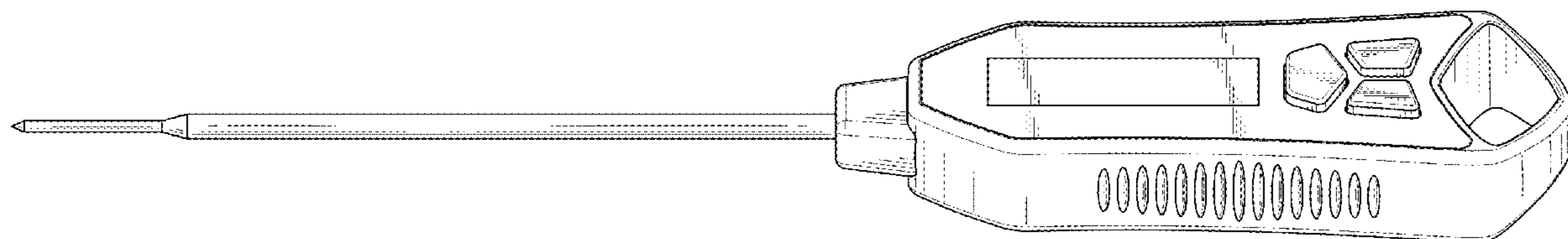
Primary Examiner — Antoine Duval Davis
(74) *Attorney, Agent, or Firm* — Erson IP (Nelson IP)

(57) **CLAIM**
The ornamental design for a food thermometer, as shown and described.

DESCRIPTION

FIG. 1 is a perspective view of a food thermometer showing my new design;
FIG. 2 is a front view thereof;
FIG. 3 is a rear view thereof;
FIG. 4 is a left side view thereof;
FIG. 5 is a right side view thereof;
FIG. 6 is a top plan view thereof;
FIG. 7 is a bottom plan view thereof;
FIG. 8 is an enlarged view of FIG. 4; and,
FIG. 9 is an enlarged view of FIG. 5.
The broken lines are for the purposes of illustrating portions of the food thermometer and form no part of the claimed design.

1 Claim, 9 Drawing Sheets



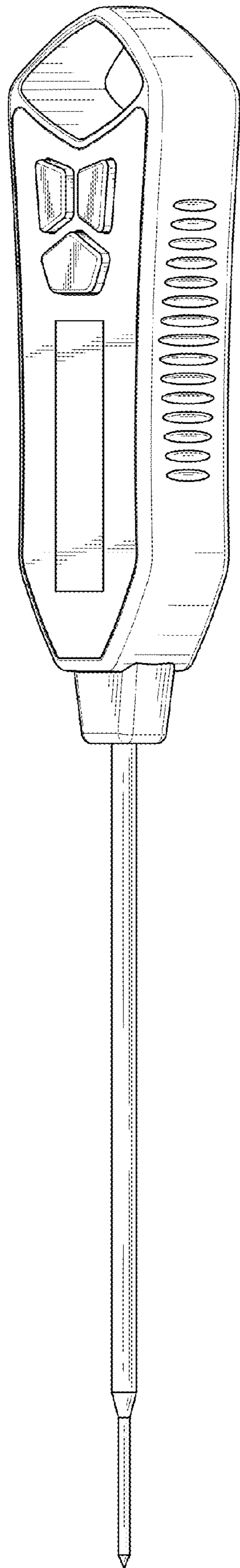


FIG. 1

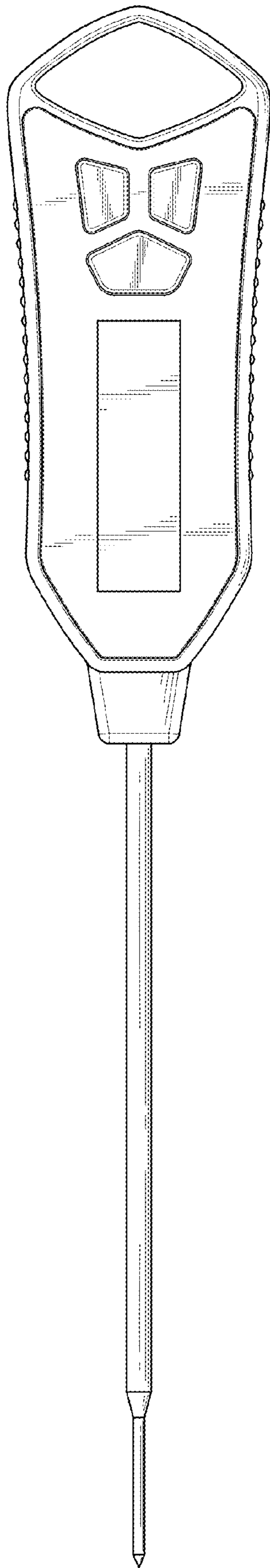


FIG. 2

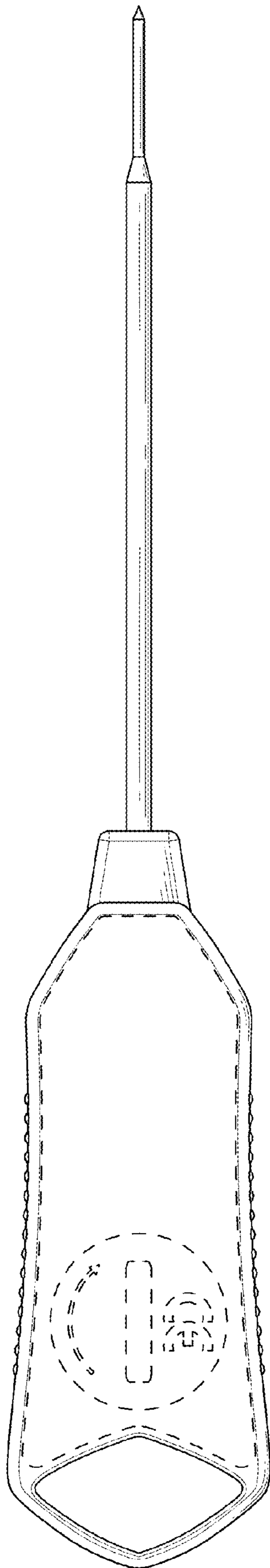


FIG. 3

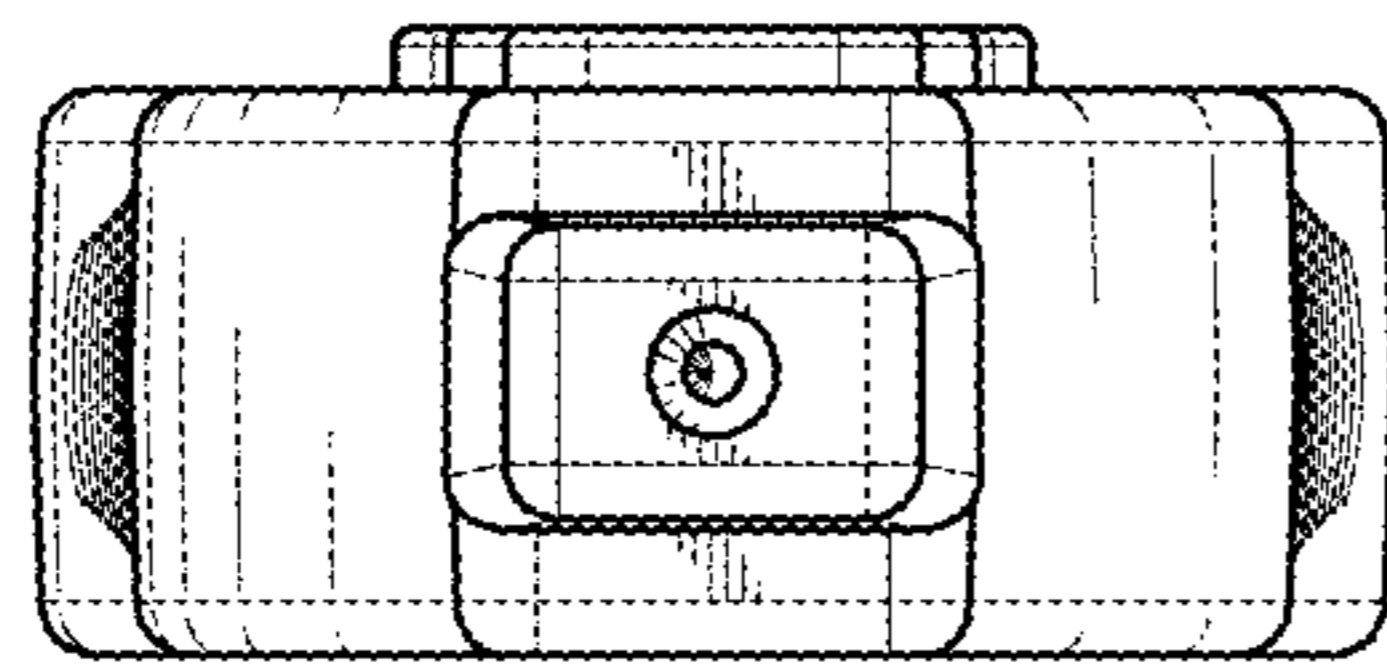


FIG. 4

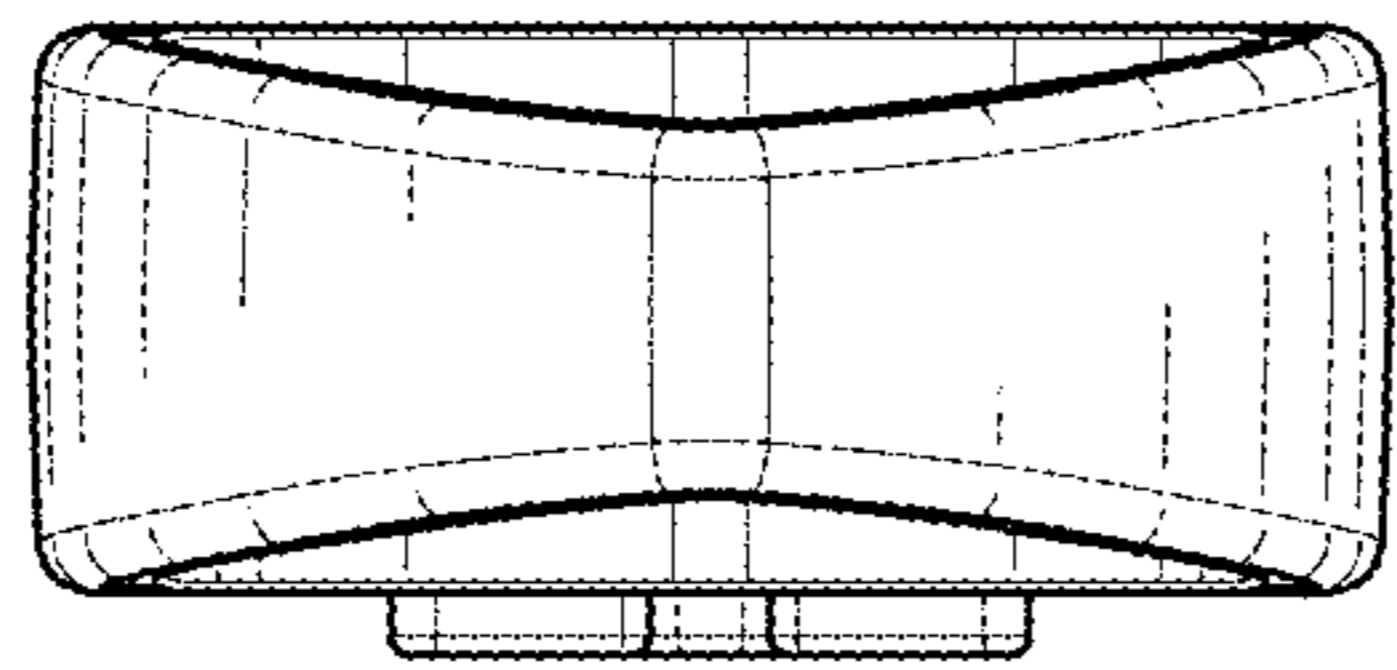


FIG. 5

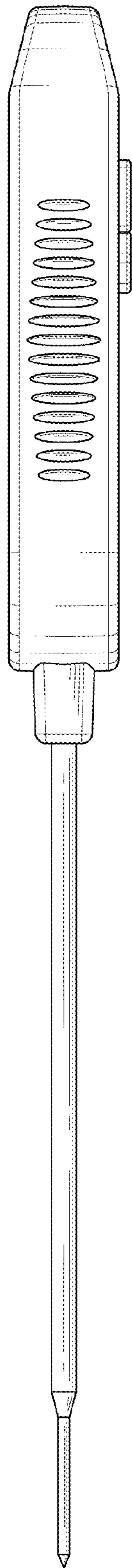


FIG. 6

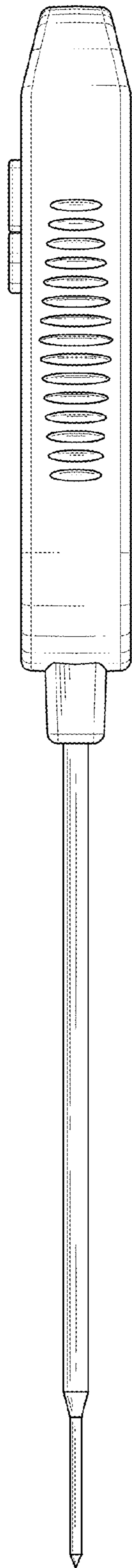


FIG. 7

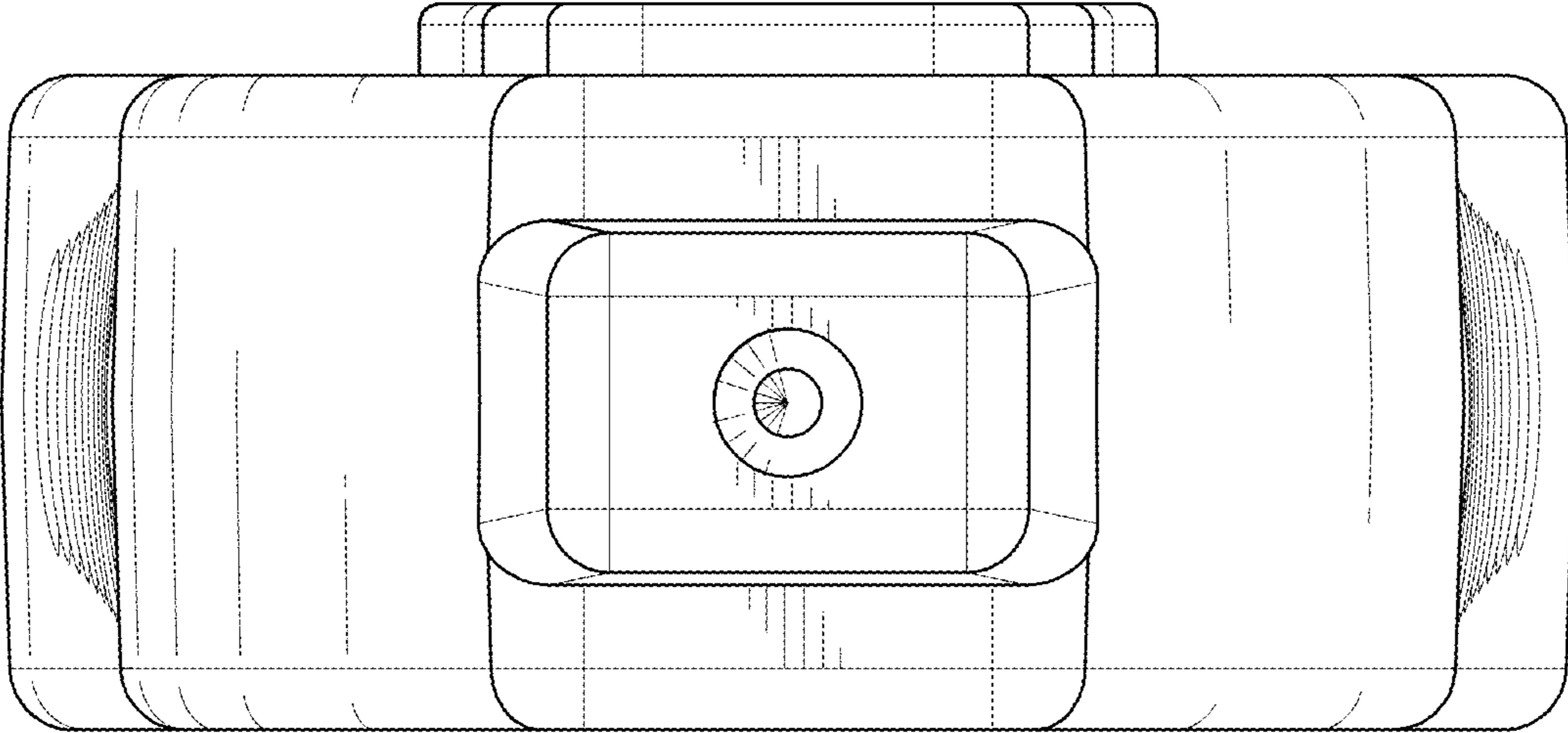


FIG. 8

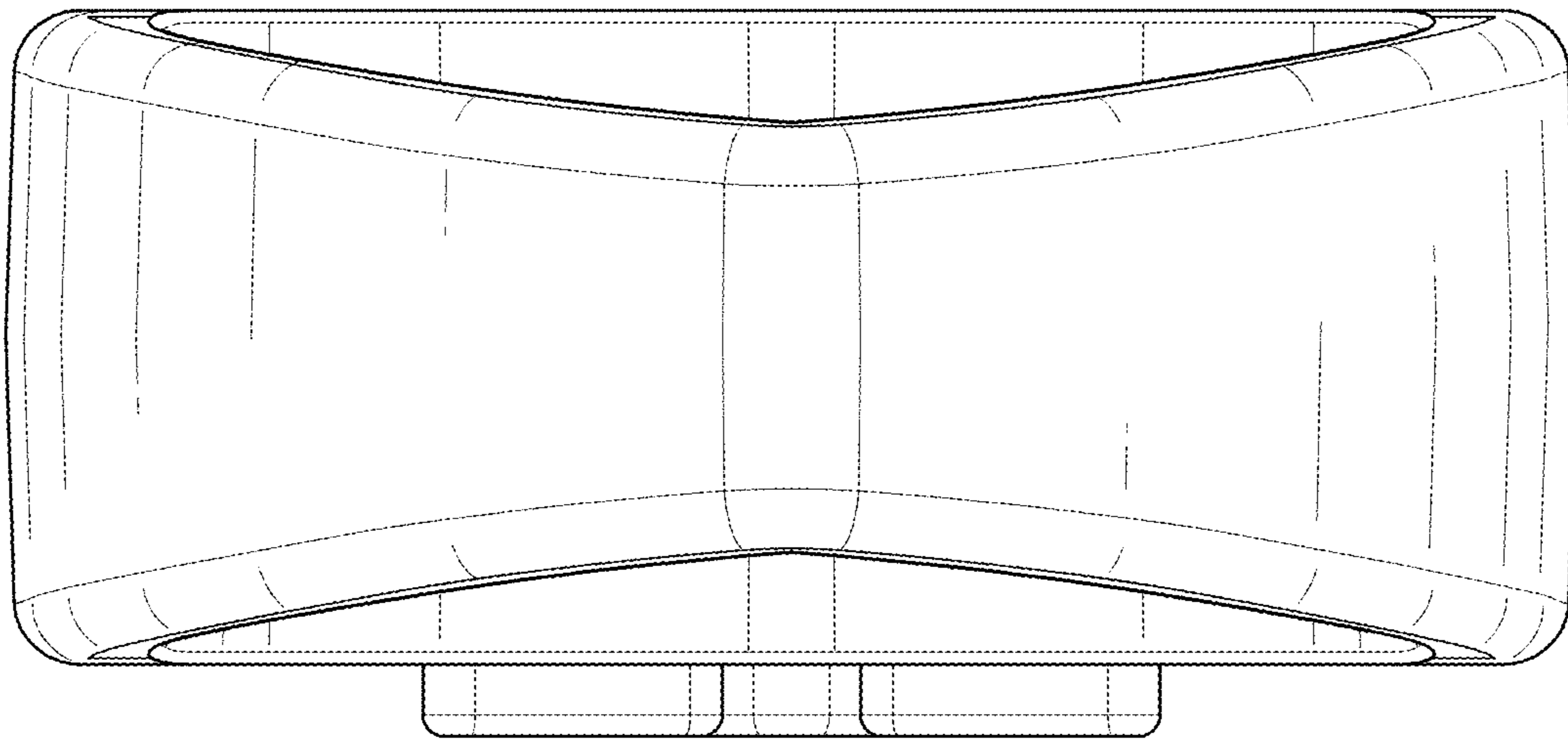


FIG. 9