



US00D906139S

(12) **United States Design Patent**
Gong et al.

(10) **Patent No.:** **US D906,139 S**

(45) **Date of Patent:** **** Dec. 29, 2020**

(54) **BARBECUE THERMOMETER**

5/044; G01J 5/045; G01J 5/046; G01J
5/047; G01J 5/048; G01J 5/049; G01J
5/0265

(71) Applicant: **Shenzhen Intellirocks Tech. Co., Ltd.**,
Shenzhen (CN)

See application file for complete search history.

(72) Inventors: **Cheng Gong**, Shenzhen (CN); **Yuling
Zhan**, Shenzhen (CN); **Wenlong Wu**,
Shenzhen (CN)

(56) **References Cited**

U.S. PATENT DOCUMENTS

(73) Assignee: **SHENZHEN INTELLIROCKS
TECH. CO., LTD.**, Shenzhen (CN)

D840,846 S * 2/2019 Liu D10/57
D885,943 S * 6/2020 Yu D10/57

* cited by examiner

(**) Term: **15 Years**

Primary Examiner — Antoine Duval Davis

(21) Appl. No.: **29/687,759**

(57) **CLAIM**

(22) Filed: **Apr. 16, 2019**

The ornamental design for a barbecue thermometer, as
shown and described.

(30) **Foreign Application Priority Data**

DESCRIPTION

Oct. 18, 2018 (CN) 2018 3 0582945

(51) **LOC (12) Cl.** **10-04**

(52) **U.S. Cl.**
USPC **D10/57**

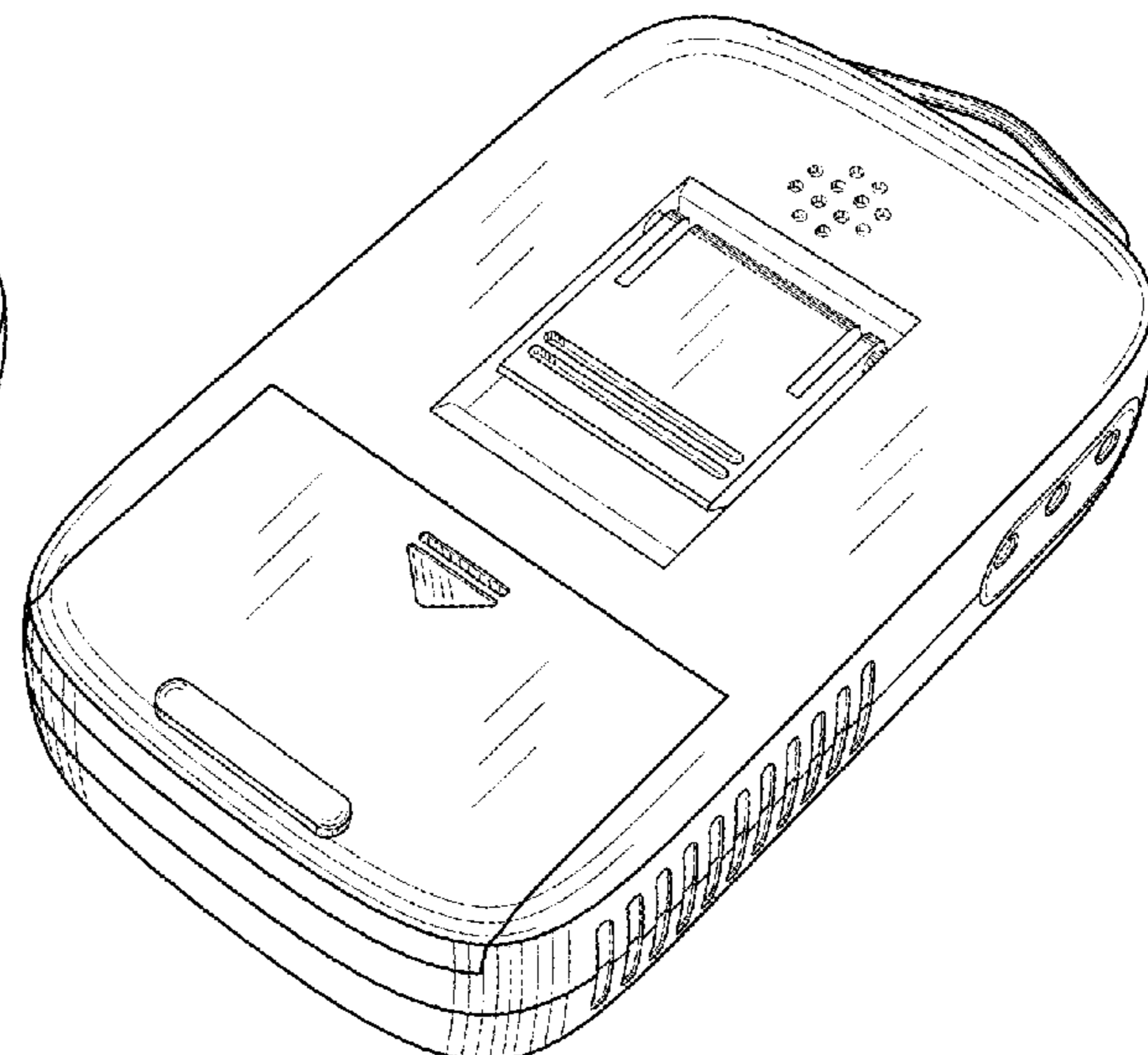
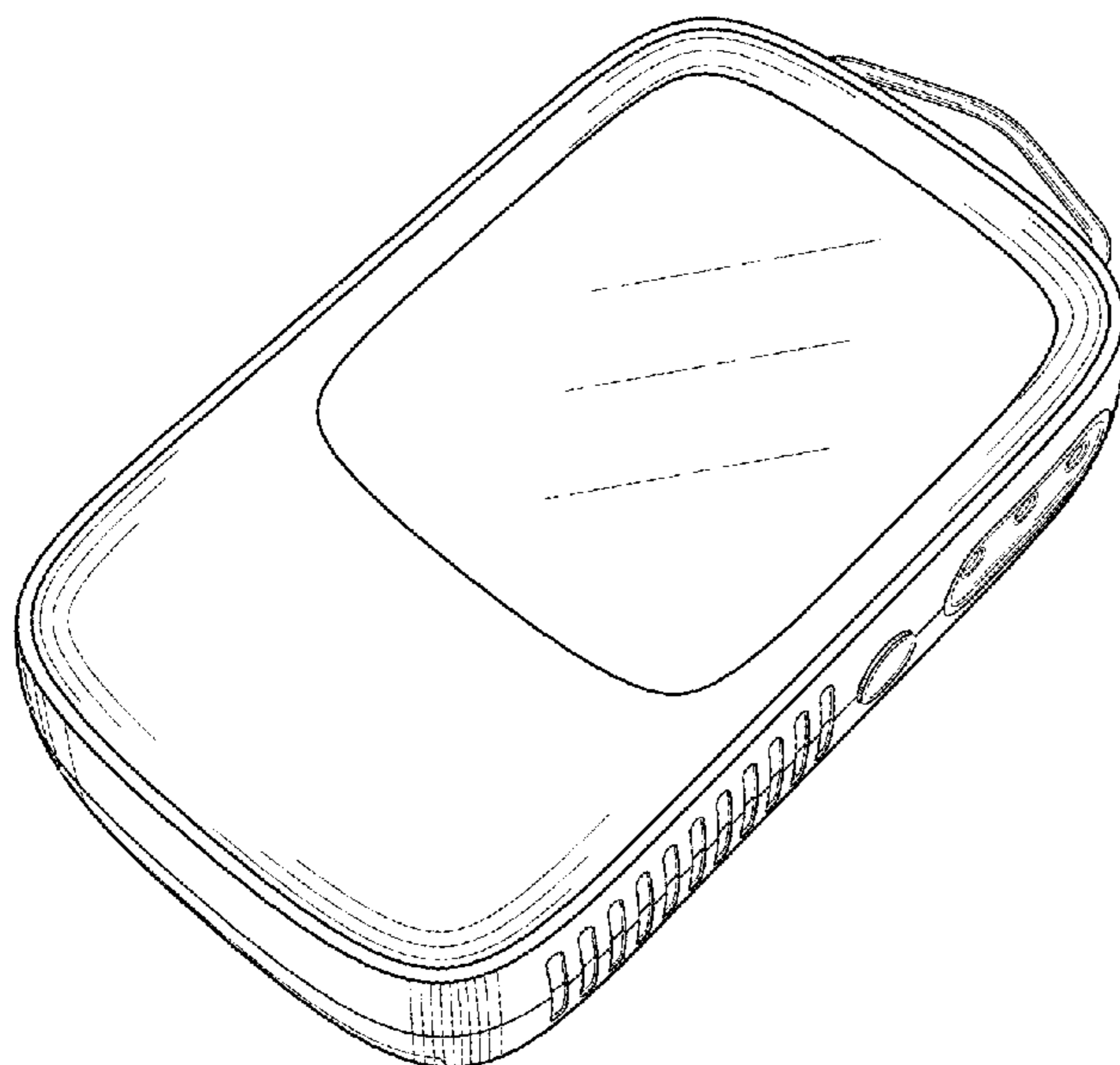
(58) **Field of Classification Search**

USPC D10/57, 60

CPC G01K 1/02; G01K 1/022; G01K 1/024;
G01K 1/08; G01K 1/083; G01K 1/086;
G01K 3/00-3/14; G01K 2003/145; G01K
13/002; G01K 13/004; G01K 2219/00;
G01K 5/04-5/225; G01K 5/22; G01K
221/00; G01K 1/20; G01K 3/005; G01K
3/06; G01K 13/04; G01J 5/04; G01J
5/041; G01J 5/042; G01J 5/043; G01J

FIG. 1 is a top front perspective view of a barbecue
thermometer showing the claimed design;
FIG. 2 is a top rear perspective view of the barbecue
thermometer showing the claimed design;
FIG. 3 is another top rear perspective view of the barbecue
thermometer showing the claimed design;
FIG. 4 is a front view thereof;
FIG. 5 is a rear view thereof;
FIG. 6 is a left view thereof;
FIG. 7 is a right view thereof;
FIG. 8 is a top view thereof; and,
FIG. 9 is a bottom view thereof.

1 Claim, 9 Drawing Sheets



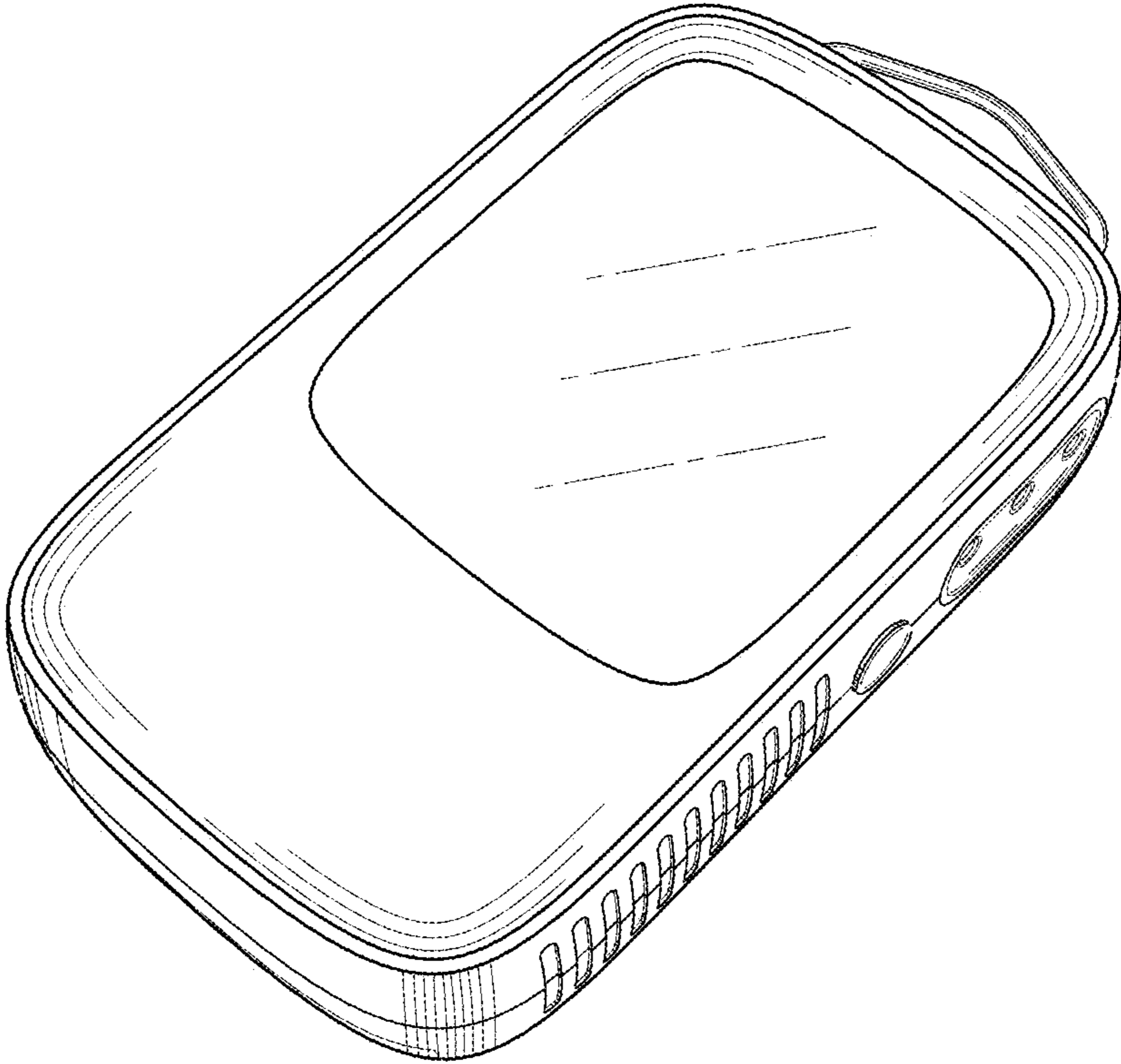


FIG. 1

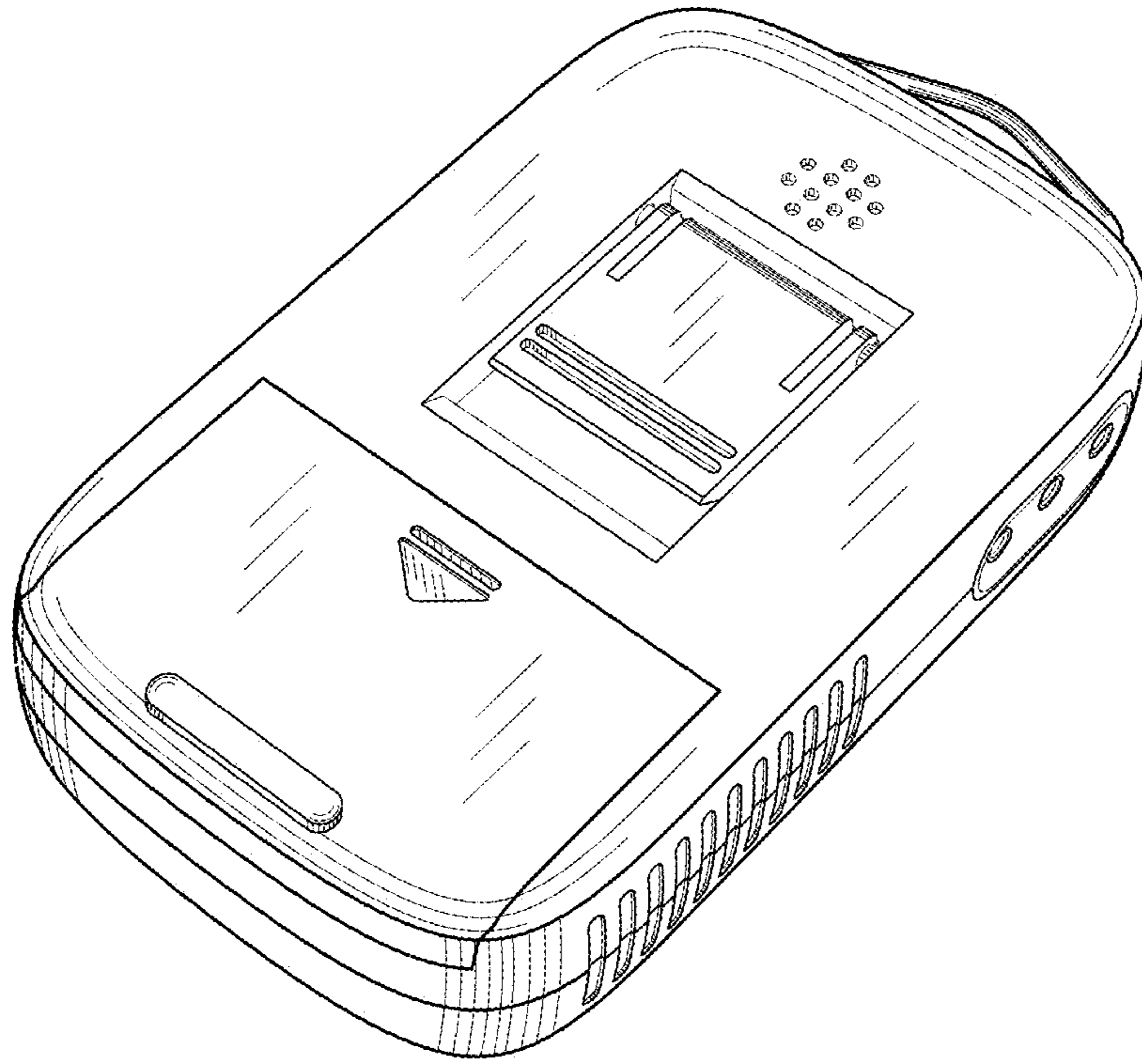


FIG. 2

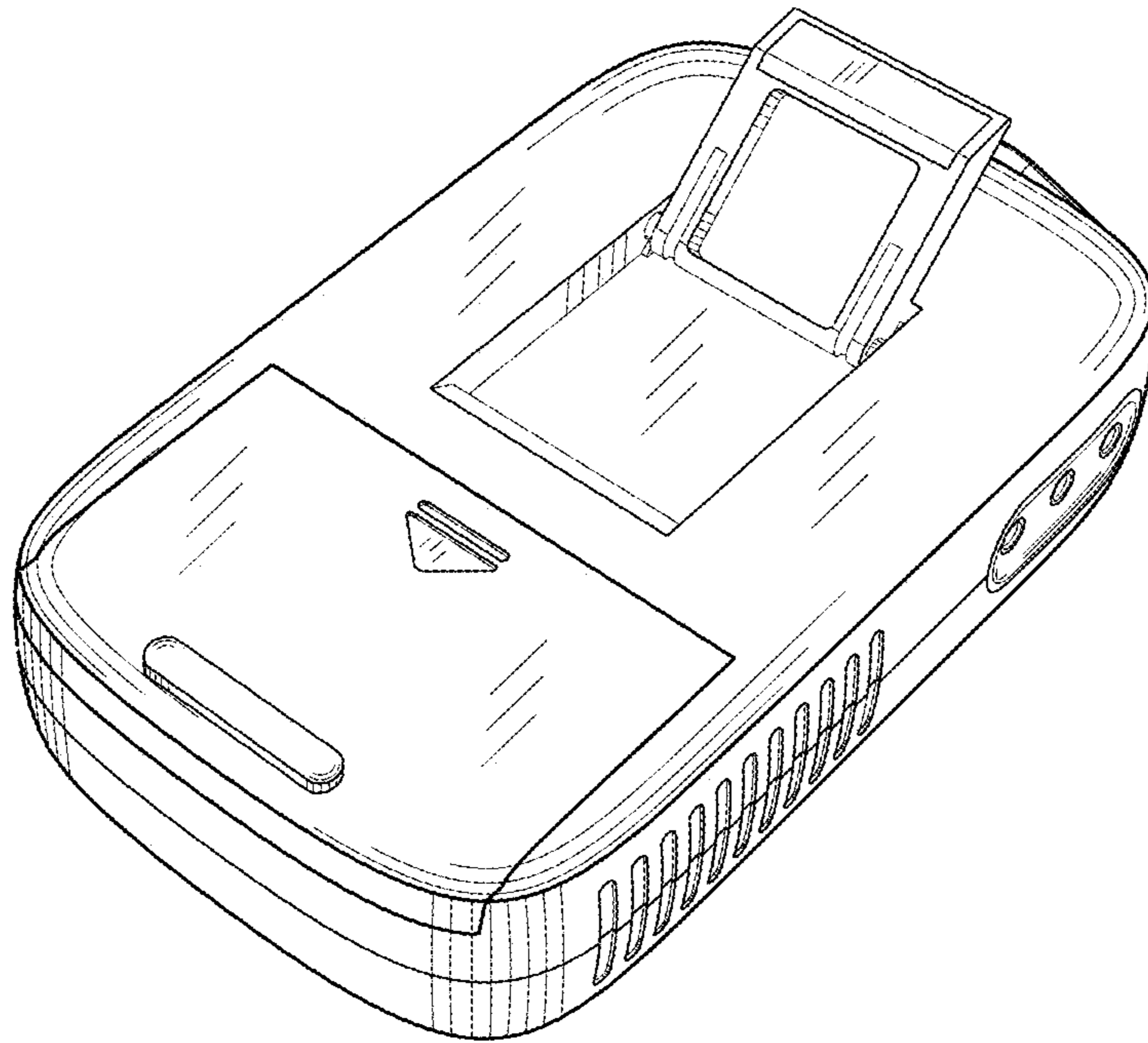


FIG. 3

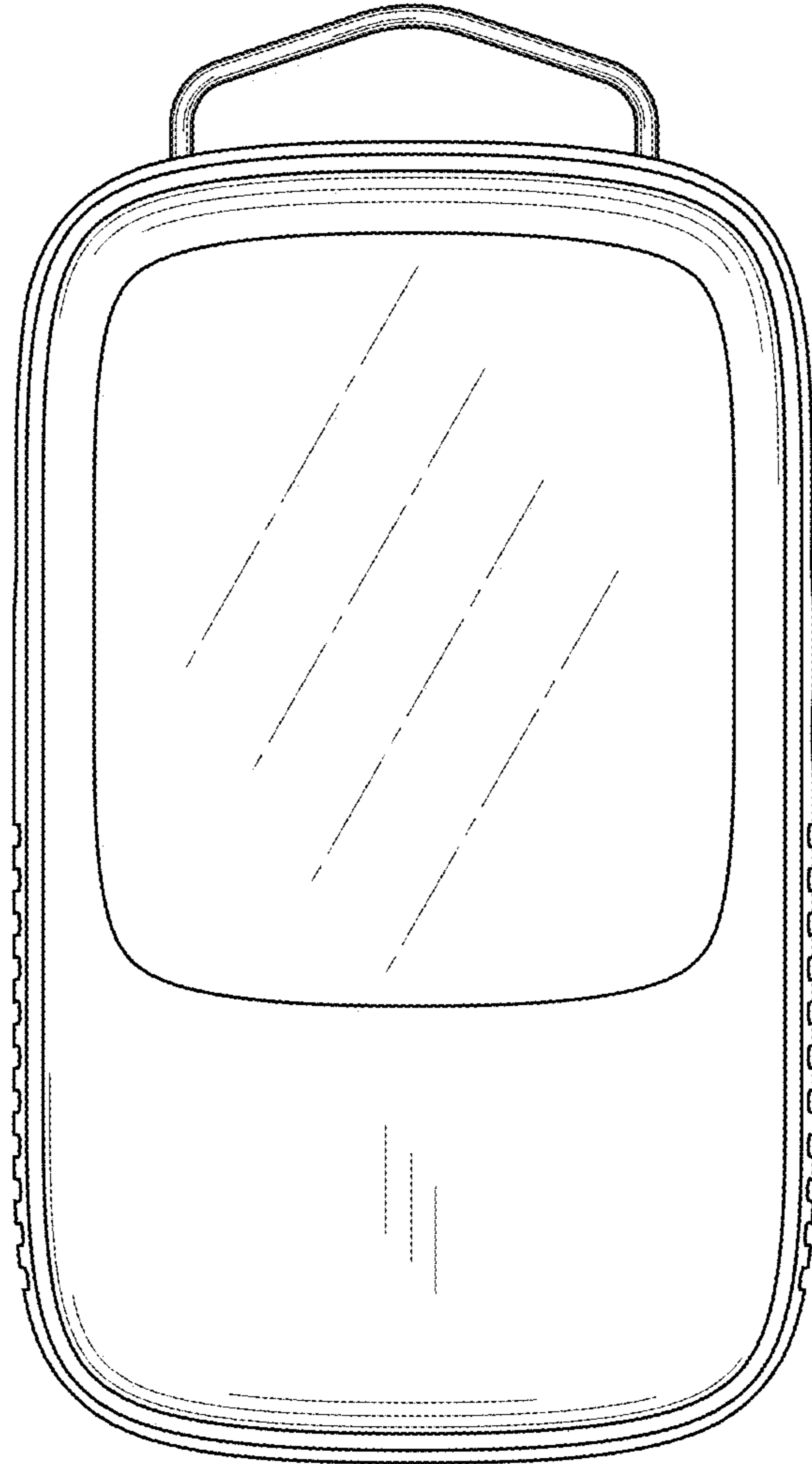


FIG. 4

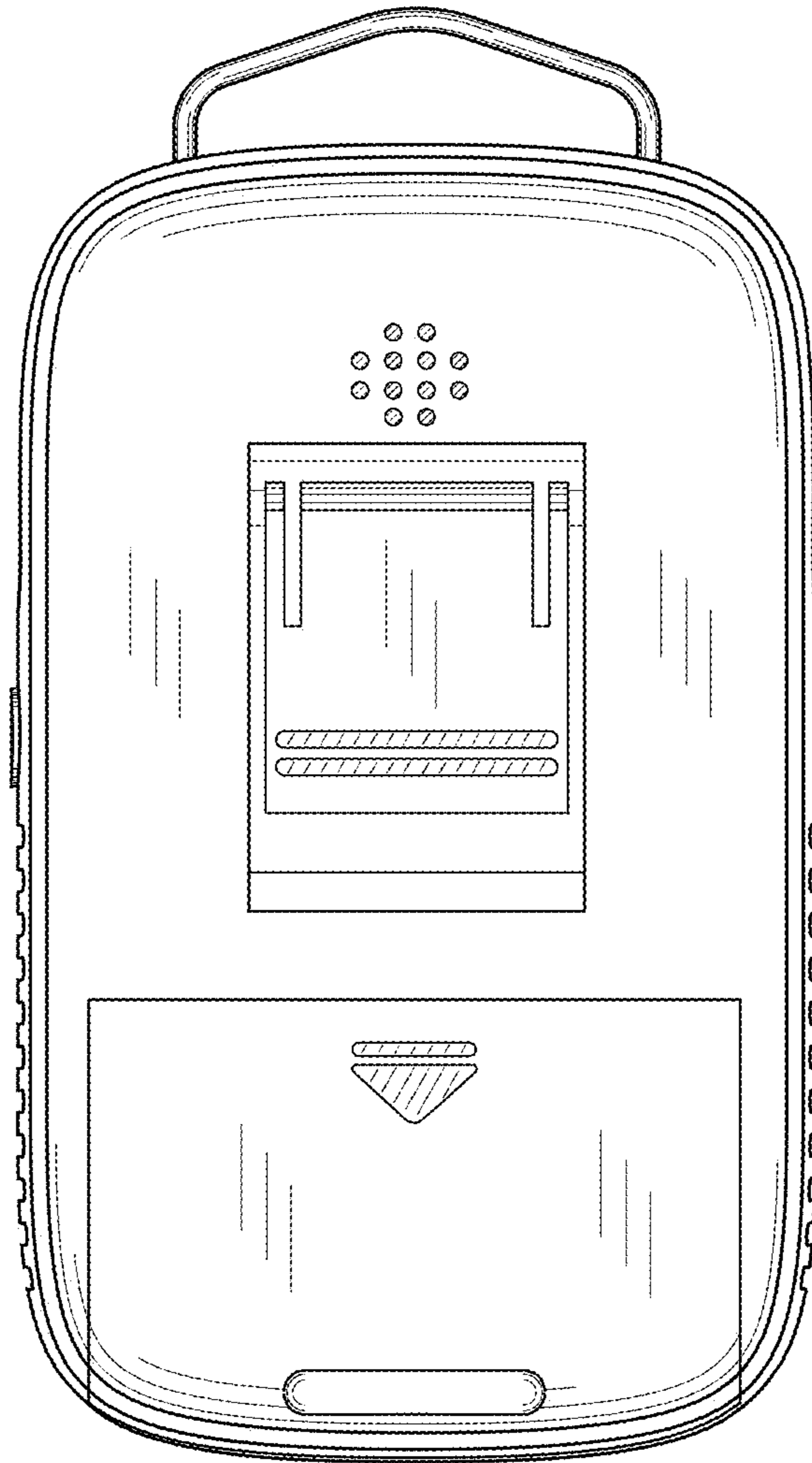


FIG. 5

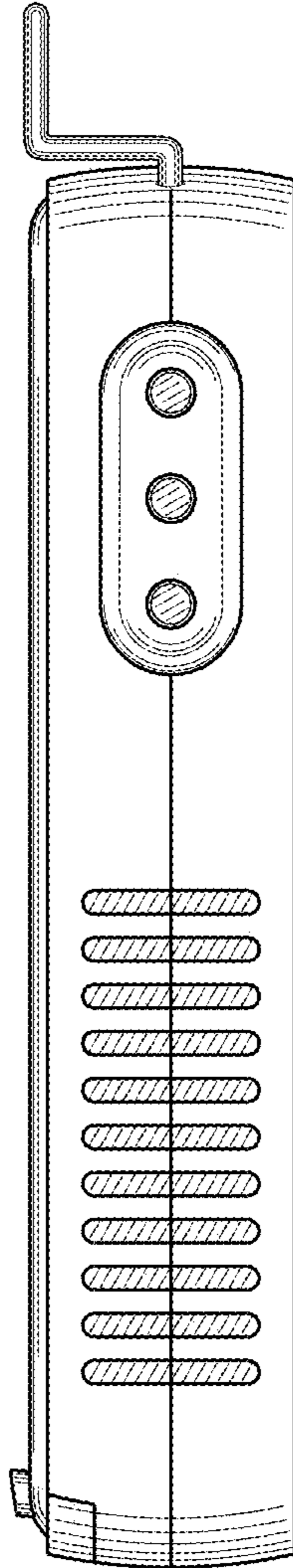


FIG. 6

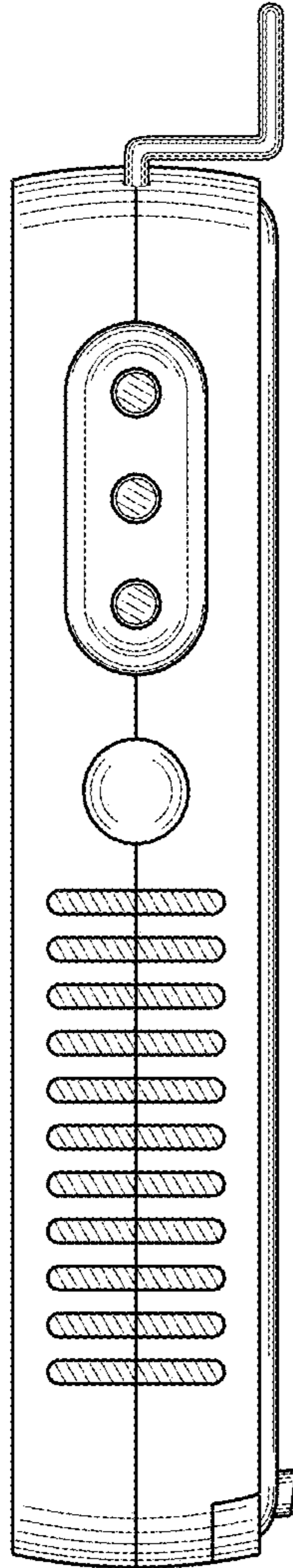


FIG. 7

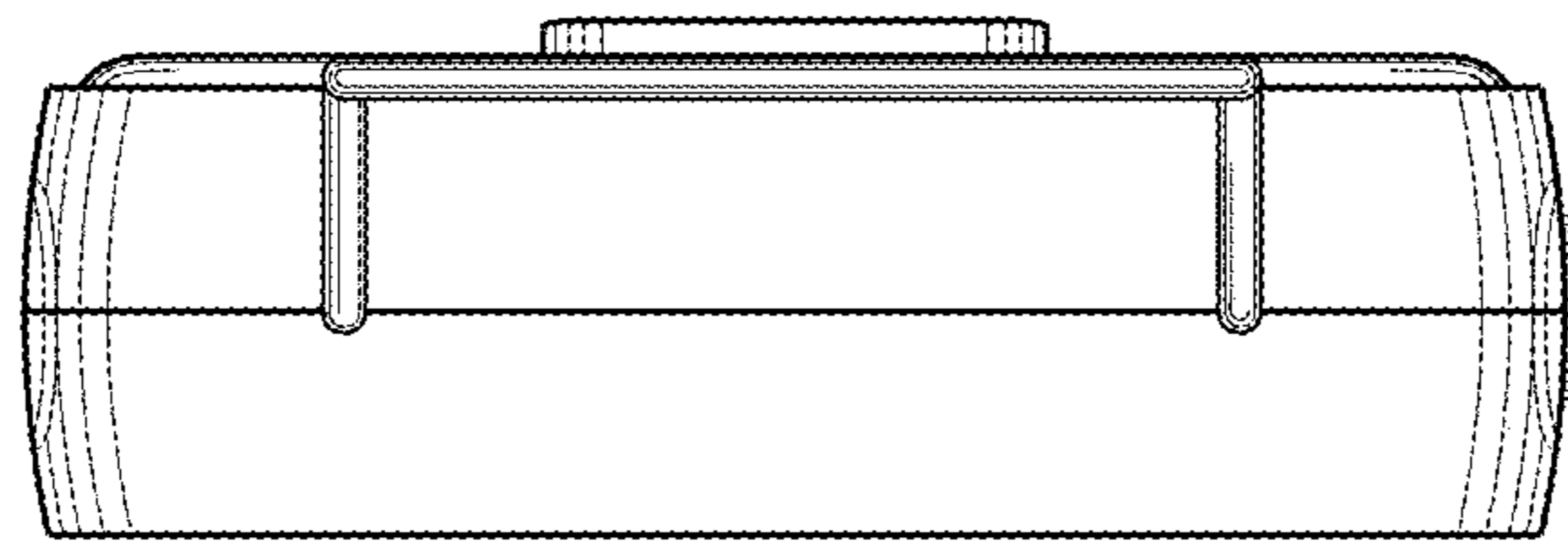


FIG. 8

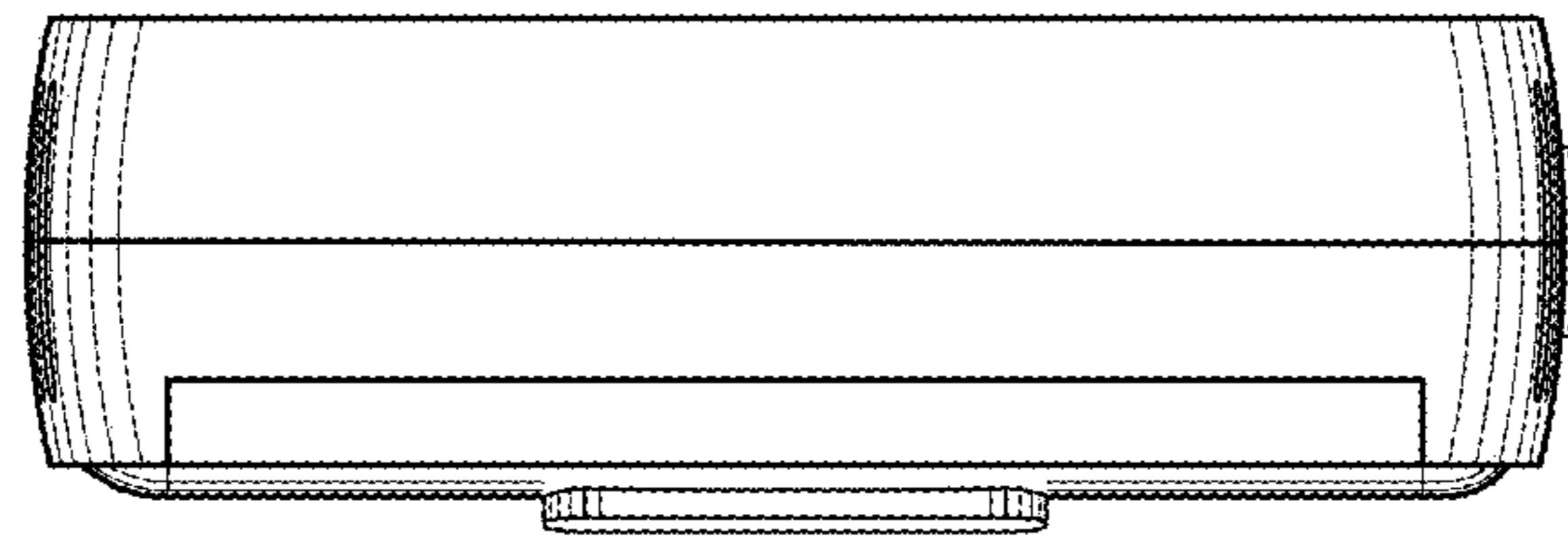


FIG. 9