



US00D906138S

(12) **United States Design Patent** (10) **Patent No.:** **US D906,138 S**  
**Hayes** (45) **Date of Patent:** **\*\* Dec. 29, 2020**

(54) **REMOTE SENSOR DEVICE**  
(71) Applicant: **ECOBEE INC.**, Toronto (CA)  
(72) Inventor: **Jonathan Hayes**, Cambridge, MA (US)  
(73) Assignee: **ECOBEE INC.**, Toronto (CA)  
(\*\*) Term: **15 Years**  
(21) Appl. No.: **29/675,346**  
(22) Filed: **Dec. 31, 2018**  
(51) **LOC (12) Cl.** ..... **10-04**  
(52) **U.S. Cl.**  
USPC ..... **D10/53; D10/70; D10/106.6**  
(58) **Field of Classification Search**  
USPC ..... **D10/46, 52, 53, 70, 106.6**  
CPC .. **G01P 13/00; G01P 13/0006; G01P 13/0013;**  
**G01P 13/002; G01P 13/0026; G01P**  
**13/0033; G01P 13/004; G01P 13/0046;**  
**G01P 13/0053; G01P 13/006; G01P**  
**13/0066; G01P 13/0073; G01P 13/008;**  
**G01P 13/0086; G01P 13/0093; G08B**  
**21/00; G08B 21/02; G08B 21/0202;**  
**G08B 21/0205; G08B 21/0208; G08B**  
**21/0211; G08B 21/0213; G08B 21/0216;**  
**G08B 21/0219; G08B 21/0222; G08B**  
**21/0225; G08B 21/0227; G08B 21/023;**  
**G08B 21/0233; G08B 21/0236; G08B**  
**21/0238; G08B 21/0241; G08B 21/0244;**  
**G08B 21/0247; G08B 21/025; G08B**  
**21/0252; G08B 21/0258; G08B 21/0261;**  
**G08B 21/0263; G08B 21/0266; G08B**  
**21/0269; G08B 21/0272; G08B 21/0275;**  
**G08B 21/0277; G08B 21/028; G08B**  
**21/0283; G08B 21/0286; G08B 21/0288;**  
**G08B 21/0291; G08B 21/0194; G08B**  
**21/0297; G08B 21/04; G08B 21/0407;**  
**G08B 21/0415; G08B 21/0423; G08B**  
**21/043; G08B 21/0438; G08B 21/0446;**  
**G08B 21/0453; G08B 21/0461; G08B**  
**21/0469; G08B 21/0476; G08B 21/0484;**  
**G08B 21/0492; G08B 21/06; G08B**

21/08; G08B 21/082; G08B 21/084;  
G08B 21/086; G08B 21/088; G08B  
21/10; G08B 21/12; G08B 21/14; G08B  
21/16; G08B 21/18; G08B 21/182; G08B  
21/185; G08B 21/187; G08B 21/20;  
G08B 21/22; G08B 21/24; G08B 21/245;  
G08B 23/00; G08B 13/00; G08B 13/02;  
G08B 13/04; G08B 13/06; G08B 13/08;  
G08B 13/10; G08B 13/12; G08B 13/122;  
G08B 13/124; G08B 13/126; G08B  
13/028; G08B 13/14; G08B 13/1409;  
G08B 13/1418; G08B 13/1427;  
(Continued)

(56) **References Cited**

U.S. PATENT DOCUMENTS

D537,002 S \* 2/2007 LI ..... D10/65  
D593,883 S \* 6/2009 Hol ..... D10/70  
(Continued)

*Primary Examiner* — Antoine Duval Davis  
(74) *Attorney, Agent, or Firm* — Perry + Currier Inc.

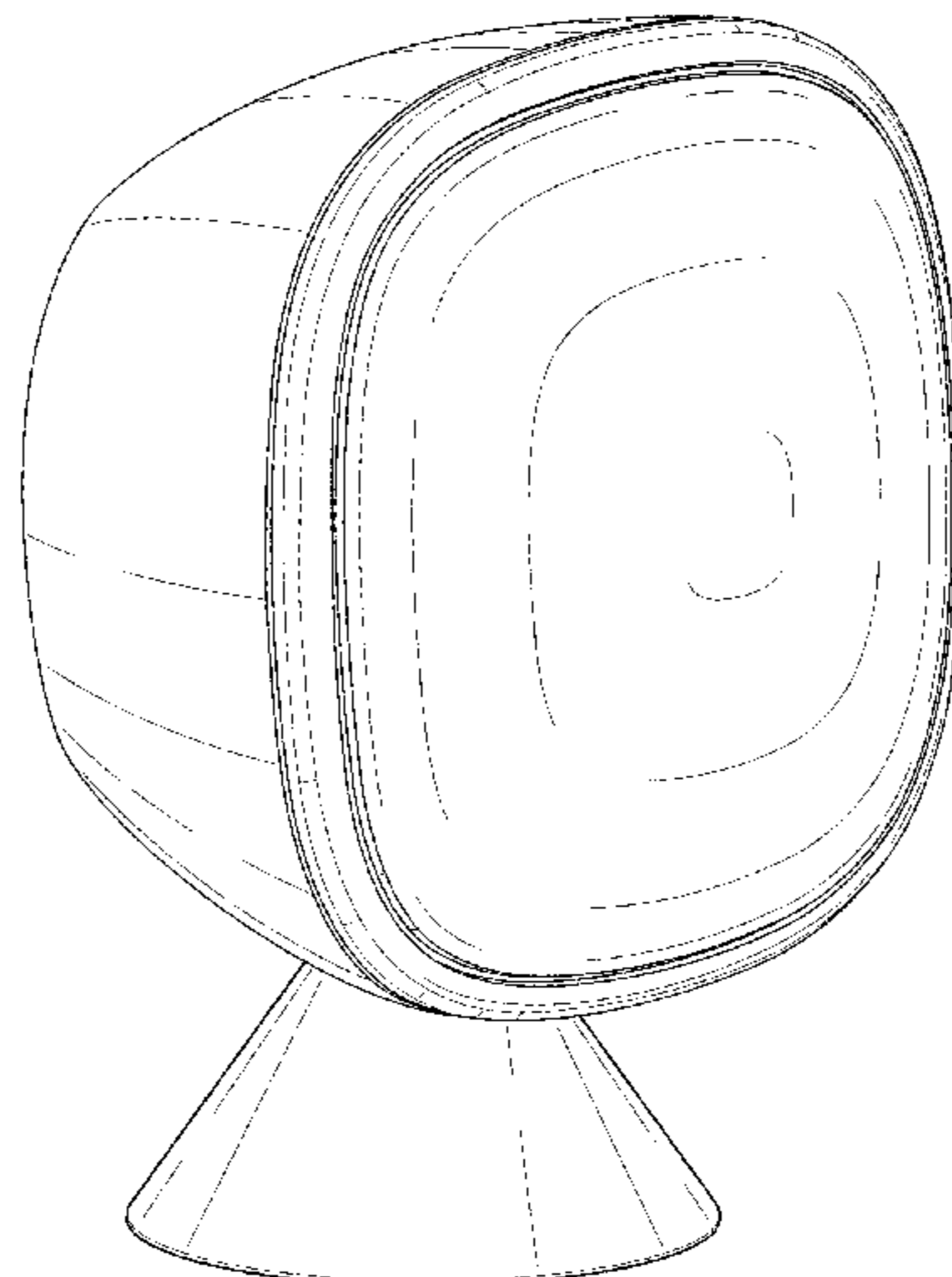
(57) **CLAIM**

The ornamental design for a remote sensor device, as shown and described.

**DESCRIPTION**

FIG. 1 is a perspective view of a remote sensor device showing a new design for a remote sensor device;  
FIG. 2 is a front plan view thereof;  
FIG. 3 is a rear plan view thereof;  
FIG. 4a is a top plan view thereof;  
FIG. 4b is a bottom plan view thereof;  
FIG. 5a is a side plan view thereof; and,  
FIG. 5b is another side plan view thereof.  
The broken lines shown in FIG. 3 illustrate portions of the remote sensor device that form no part of the claimed design.

**1 Claim, 7 Drawing Sheets**



(58) **Field of Classification Search**

CPC ..... G08B 13/1436; G08B 13/1445; G08B 13/1454; G08B 13/1463; G08B 13/1472; G08B 13/1481; G08B 13/149; G08B 13/16; G08B 13/1609; G08B 13/1618; G08B 13/1627; G08B 13/1636; G08B 13/1645; G08B 13/1654; G08B 13/1663; G08B 13/1672; G08B 13/1681; G08B 13/169; G08B 13/18; G08B 13/181; G08B 13/183; G08B 13/184; G08B 13/186; G08B 13/187; G08B 13/189; G08B 13/1895; G08B 13/19; G08B 13/191; G08B 13/193; G08B 13/194; G08B 13/196; G08B 13/19602; G08B 13/19604; G08B 13/19606; G08B 13/19608; G08B 13/1961; G08B 13/19613; G08B 13/19615; G08B 13/19617; G08B 13/19619; G08B 13/19621; G08B 13/19623; G08B 13/19626; G08B 13/19628; G08B 13/1963; G08B 13/19632; G08B 13/19634; G08B 13/19636; G08B 13/19639; G08B 13/19641; G08B 13/19643; G08B 13/19645; G08B 13/19647; G08B 13/1965; G08B 13/19652; G08B 13/19654; G08B 13/19656; G08B 13/19658; G08B 13/1966; G08B 13/19663; G08B 13/19665; G08B 13/19667; G08B 13/19669; G08B 13/19671; G08B 13/19673; G08B 13/19676; G08B 13/19678; G08B 13/1968; G08B 13/19682; G08B 13/19684; G08B 13/19686; G08B 13/19689; G08B 13/19691; G08B 13/19693; G08B

13/19695; G08B 13/19697; G08B 13/20; G08B 13/22; G08B 13/24; G08B 13/2402; G08B 13/2405; G08B 13/2408; G08B 13/2411; G08B 13/2414; G08B 13/2417; G08B 13/242; G08B 13/2422; G08B 13/2425; G08B 13/2428; G08B 13/2431; G08B 13/2434; G08B 13/2437; G08B 13/244; G08B 13/2442; G08B 13/2445; G08B 13/2448; G08B 13/2451; G08B 13/2454; G08B 13/2457; G08B 13/246; G08B 13/2462; G08B 13/2465; G08B 13/2468; G08B 13/2471; G08B 13/2474; G08B 13/2477; G08B 13/248; G08B 13/2482; G08B 13/2485; G08B 13/2488; G08B 13/2491; G08B 13/2494; G08B 13/2497; G08B 13/26; G01D 1/245; G01B 5/30; G01M 5/0075; G01N 29/045; G01N 29/12; G01N 29/2475; G01N 29/2481; G01J 1/429; A61B 5/04; A61B 5/0059; A63B 24/0084; A63B 24/0062; A63B 24/0075; A63B 69/0028; A63B 71/0622; A63B 71/0686; A63F 13/00; A63F 13/06; A63F 5/0059; A61N 5/0614

See application file for complete search history.

(56)

**References Cited**

U.S. PATENT DOCUMENTS

D651,532	S	1/2012	Li et al.	
D756,811	S *	5/2016	Xiao .....	D10/52
D757,587	S	5/2016	Li	
D783,422	S	4/2017	Kashimoto	
D863,080	S *	10/2019	Lee .....	D10/70
D876,248	S *	2/2020	Hernandez .....	D10/52

\* cited by examiner

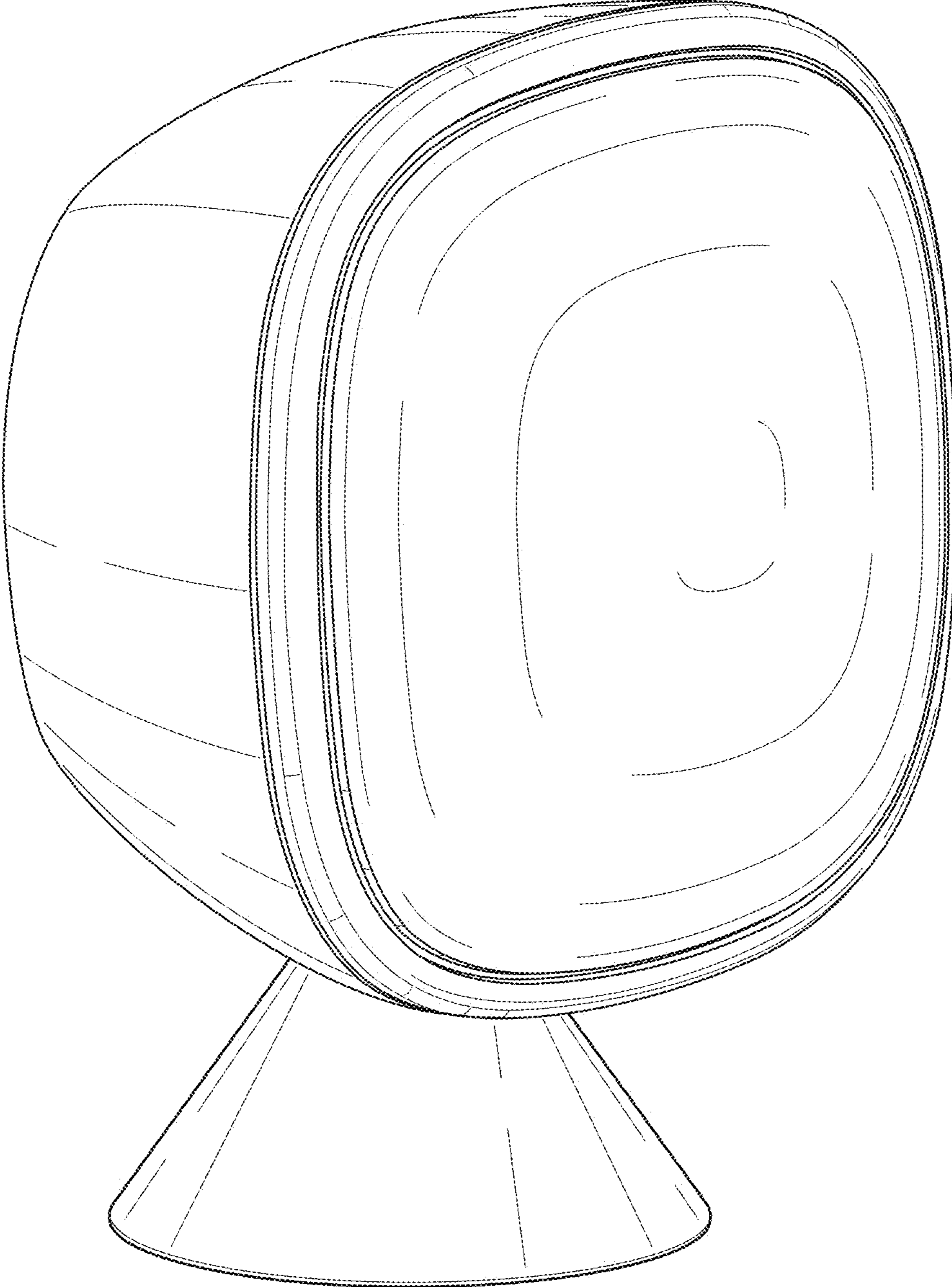


FIG. 1

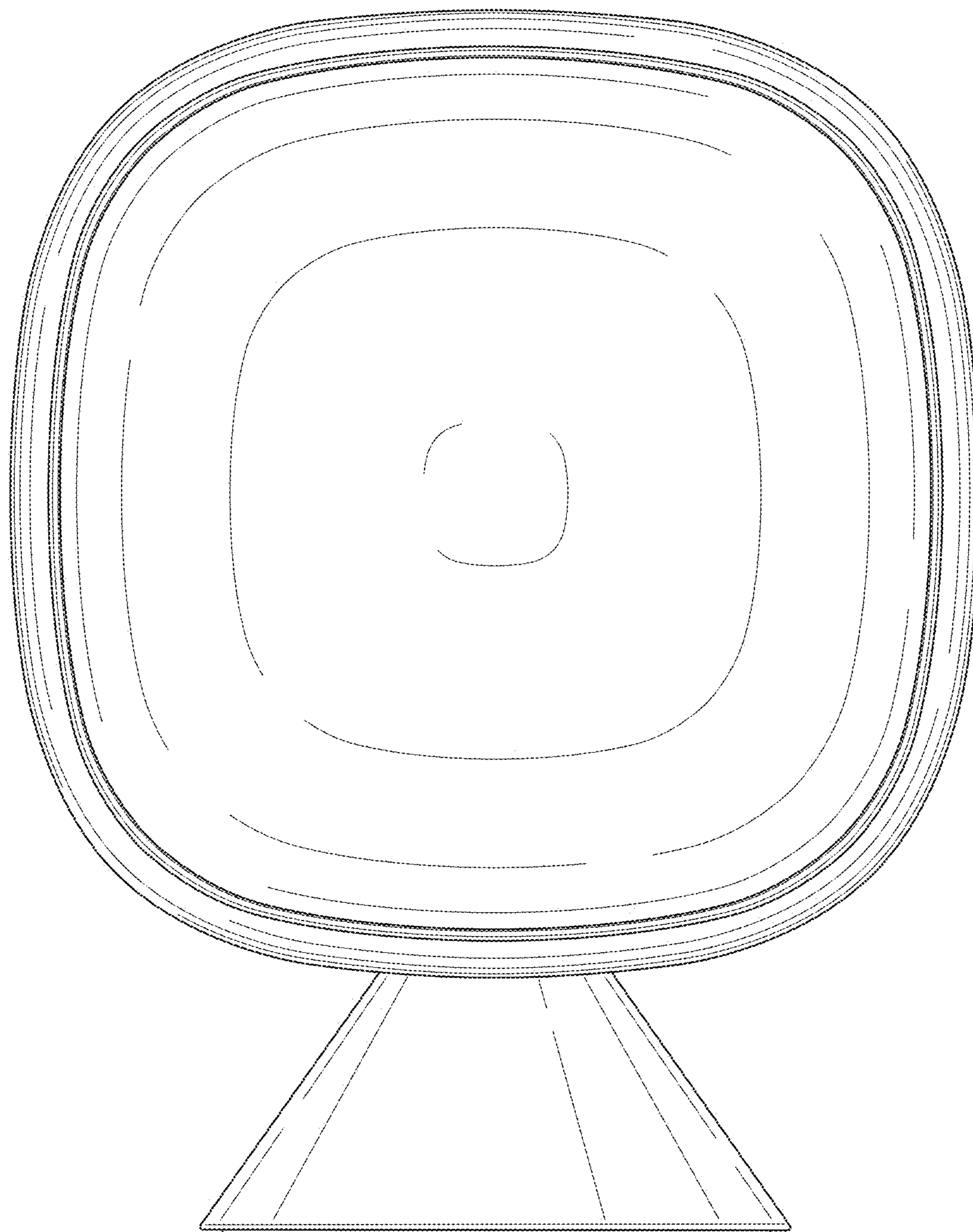


FIG. 2

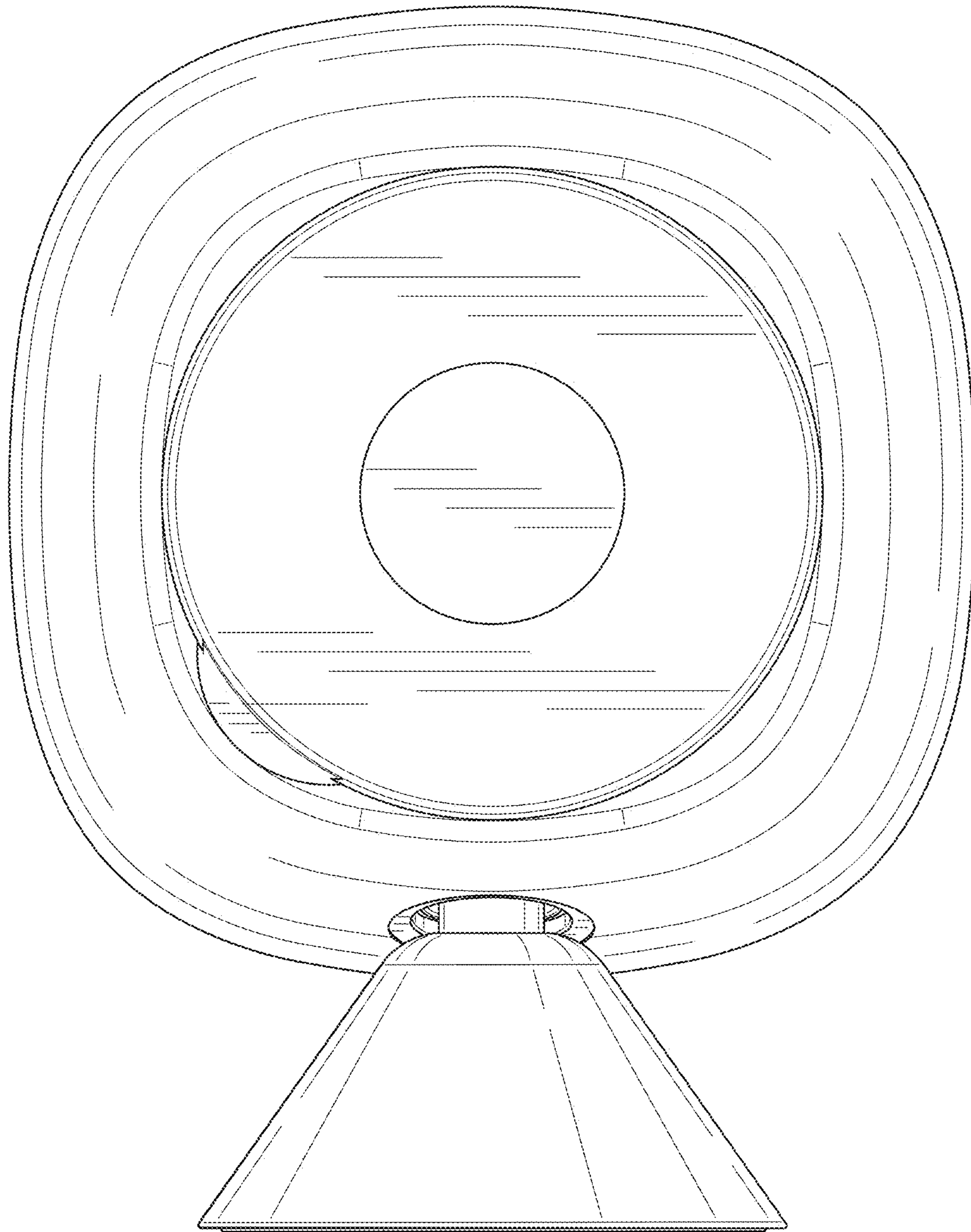


FIG. 3

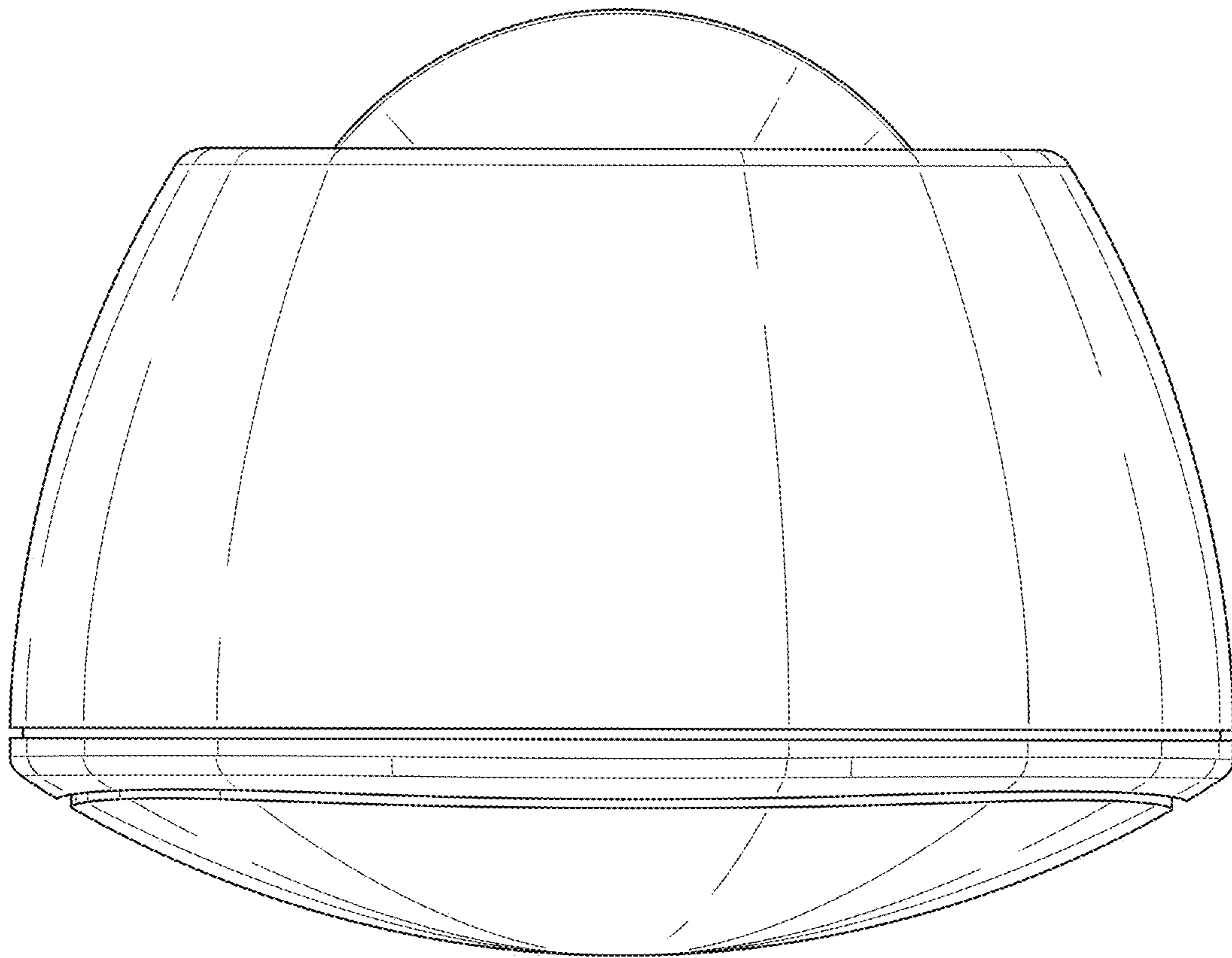


FIG. 4A

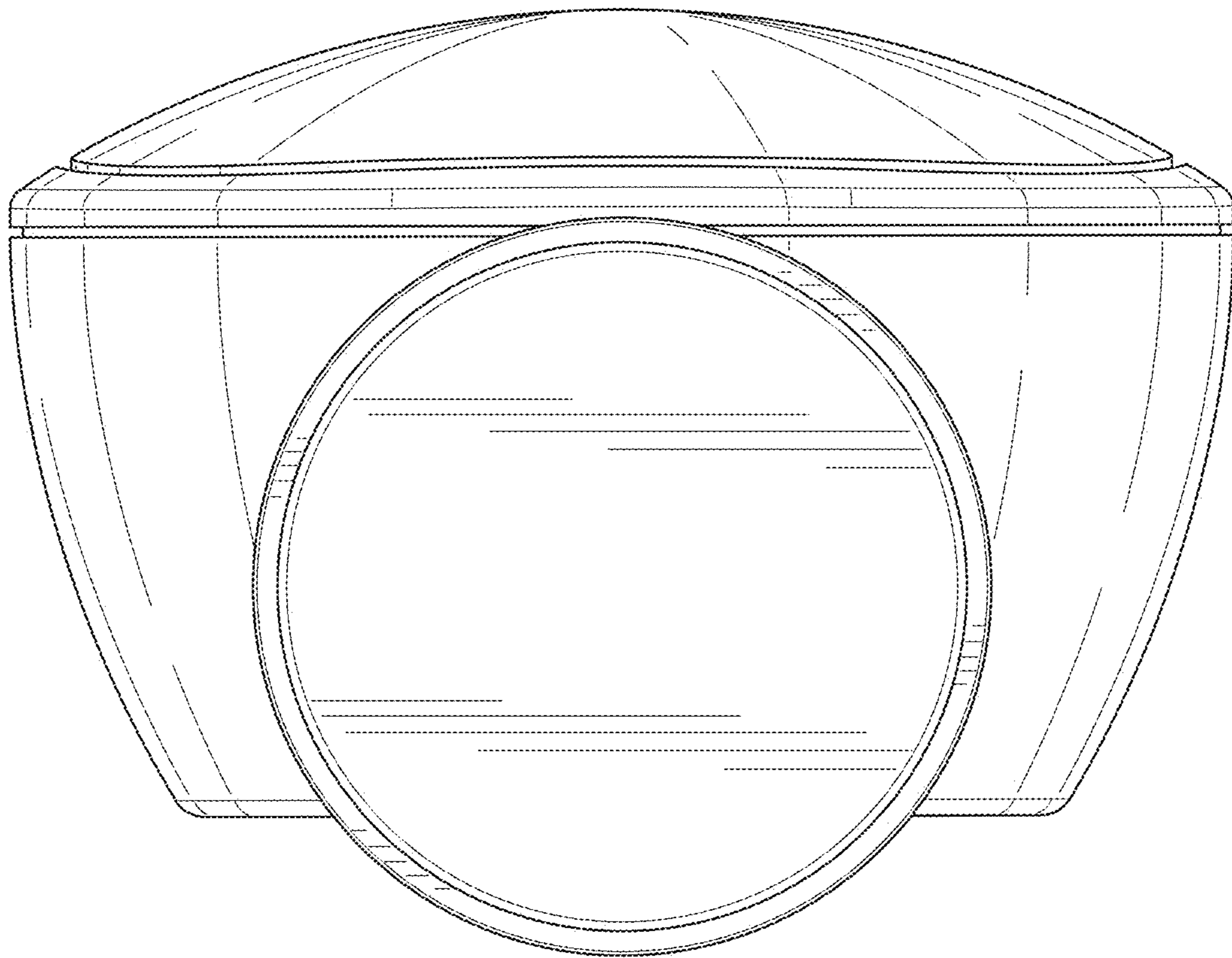


FIG. 4B

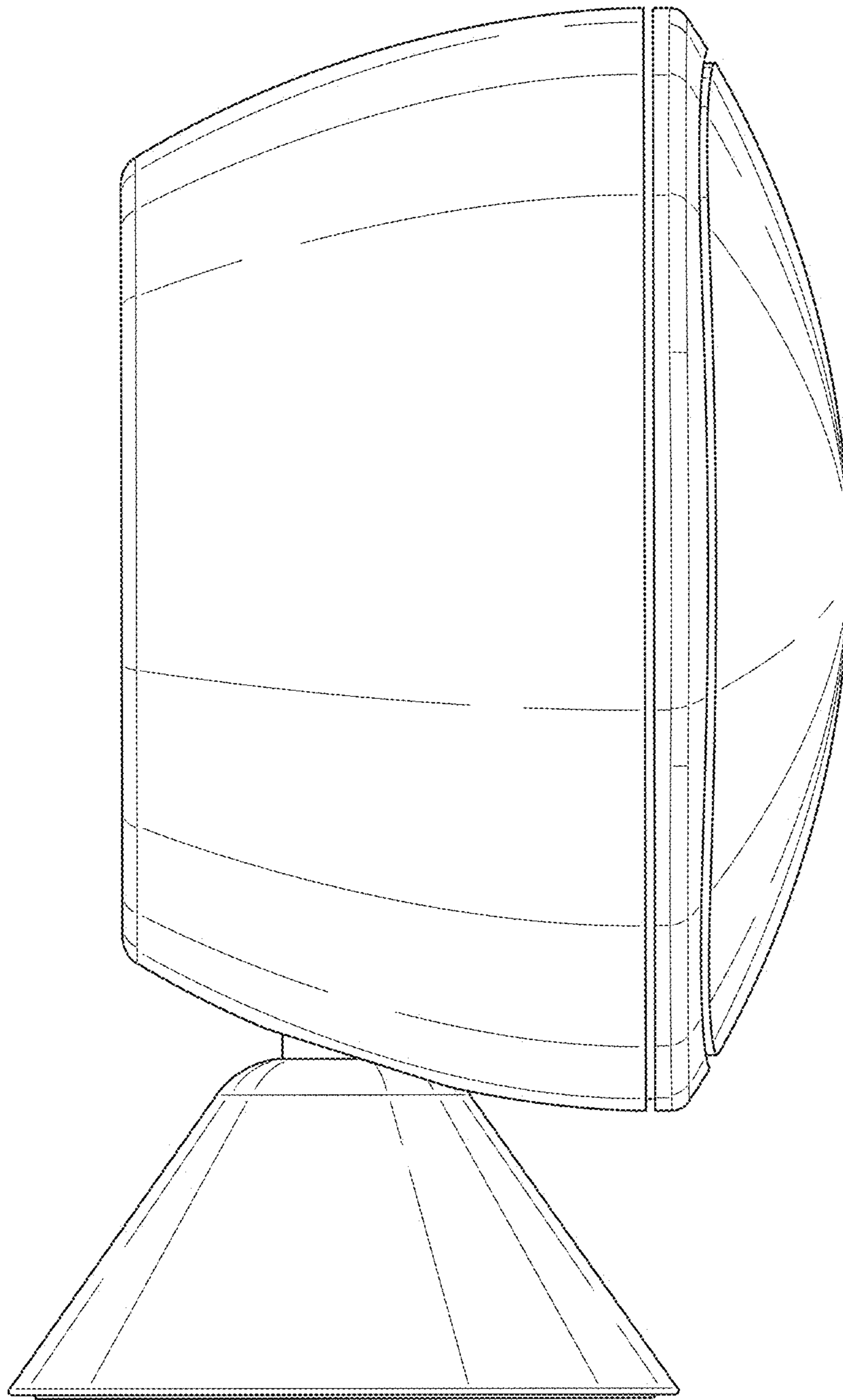


FIG. 5A



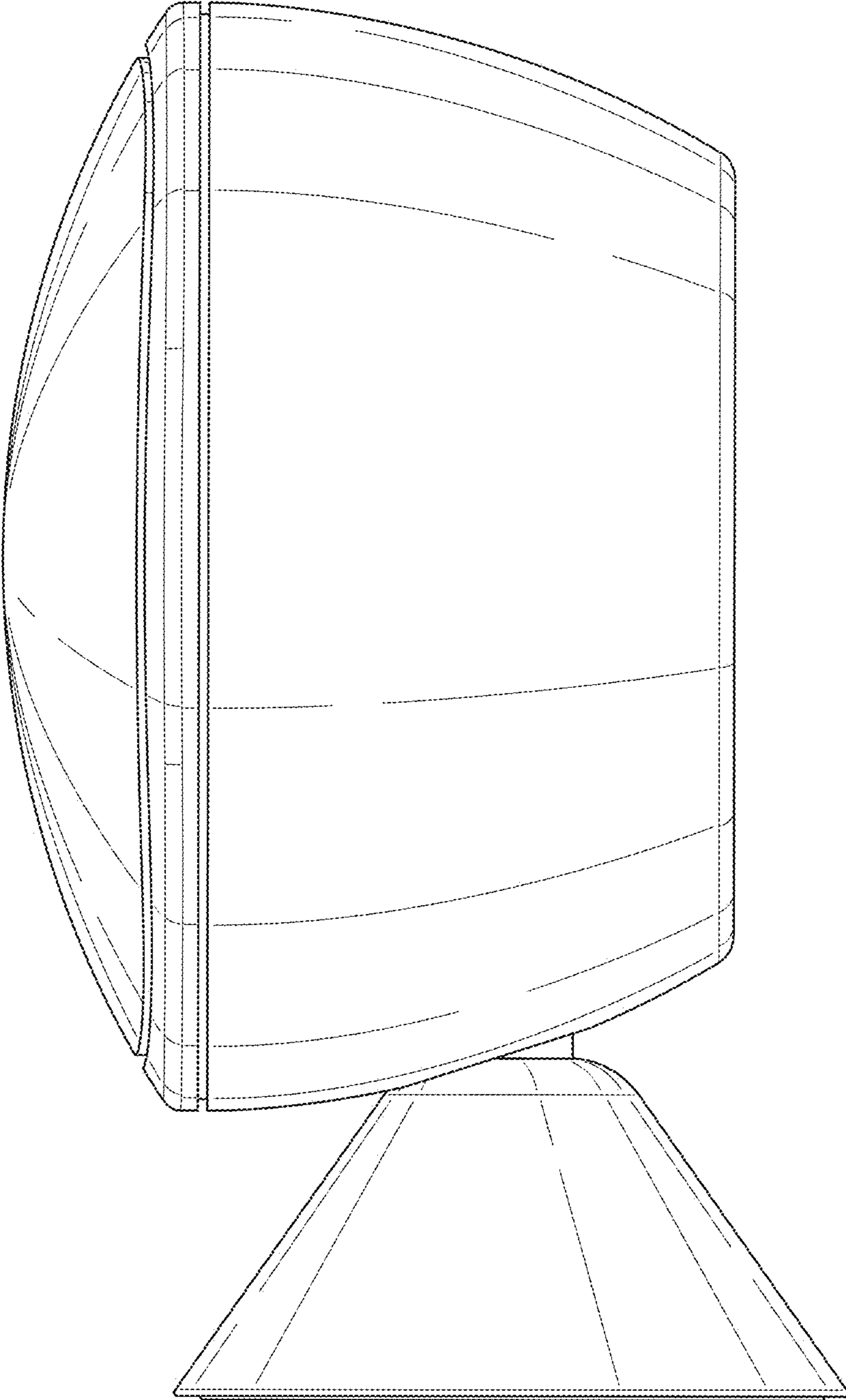


FIG. 5B