



US00D906136S

(12) **United States Design Patent** (10) **Patent No.:** **US D906,136 S**
de Castellane (45) **Date of Patent:** **** Dec. 29, 2020**

(54) **WATCH**
(71) Applicant: **Christian Dior Couture**, Paris (FR)
(72) Inventor: **Victoire de Castellane**, Paris (FR)
(**) Term: **15 Years**
(21) Appl. No.: **29/721,499**
(22) Filed: **Jan. 21, 2020**

D628,502 S * 12/2010 Hayek D10/39
D635,869 S * 4/2011 Hayek D10/38
D635,876 S * 4/2011 Hayek D10/123
D646,184 S 10/2011 Duport et al.
D659,580 S * 5/2012 Veit D11/3
D665,274 S * 8/2012 Arabov D10/38
D675,941 S * 2/2013 Sasaki D10/32
D694,129 S * 11/2013 Mais D10/38
D696,145 S * 12/2013 Stegmann D10/38
D737,694 S 9/2015 Engelbrecht
D835,522 S 12/2018 Dietrich
D848,290 S 5/2019 Janzen
D858,315 S 9/2019 Monachon
D880,317 S 4/2020 De Castellane
D880,330 S * 4/2020 Valzan D10/125

Related U.S. Application Data

(62) Division of application No. 35/506,106, filed on Sep. 21, 2018 (U.S. filing date under 35 U.S.C. 384), and having an international filing date of Sep. 21, 2018, now Pat. No. Des. 880,317.
(51) **LOC (12) Cl.** **10-02**
(52) **U.S. Cl.**
USPC **D10/38**
(58) **Field of Classification Search**
USPC D10/39, 38, 32, 125
CPC G04B 37/04
See application file for complete search history.

(56) **References Cited**

U.S. PATENT DOCUMENTS

1,634,447 A * 7/1927 Bowen G04B 37/04
368/281
D313,187 S 12/1990 Müller
D454,802 S * 3/2002 Hegi D10/39
D504,332 S * 4/2005 Chodat D10/39
D525,149 S * 7/2006 Plan D10/32
D531,063 S * 10/2006 Reginelli D10/32
D573,902 S * 7/2008 Modolo D10/39
D577,613 S * 9/2008 Rochat D10/38
D588,945 S * 3/2009 Arabo D10/39
D600,143 S * 9/2009 Kawashima D10/32
D614,973 S * 5/2010 Takahashi D10/32

OTHER PUBLICATIONS

U.S. Appl. No. 29/721,496, dated Jan. 21, 2020, De Castellane.
U.S. Appl. No. 29/721,502, dated Jan. 21, 2020, De Castellane.

* cited by examiner

Primary Examiner — George D. Kirschbaum
(74) *Attorney, Agent, or Firm* — Brinks Gilson & Lione;
John C. Freeman

(57) **CLAIM**

The ornamental design for a watch, as shown and described.

DESCRIPTION

FIG. 1 is a front view of a watch showing my new design;
FIG. 2 is top view thereof;
FIG. 3 is a bottom view thereof;
FIG. 4 is a back view thereof;
FIG. 5 is a right side view thereof;
FIG. 6 is a left side view thereof;
FIG. 7 is a front perspective view thereof; and,
FIG. 8 is a second front perspective view thereof.

1 Claim, 8 Drawing Sheets

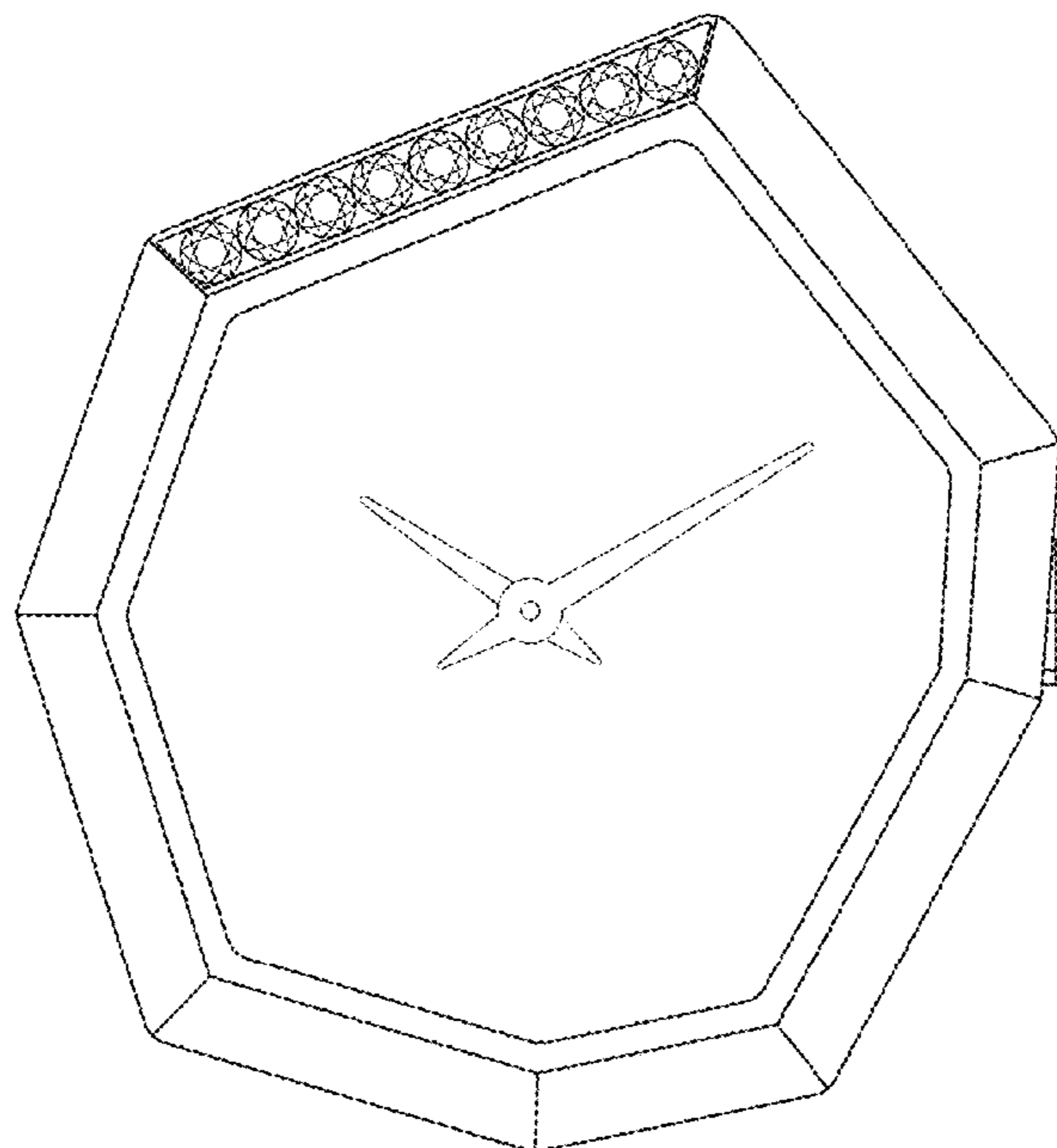


FIG. 1

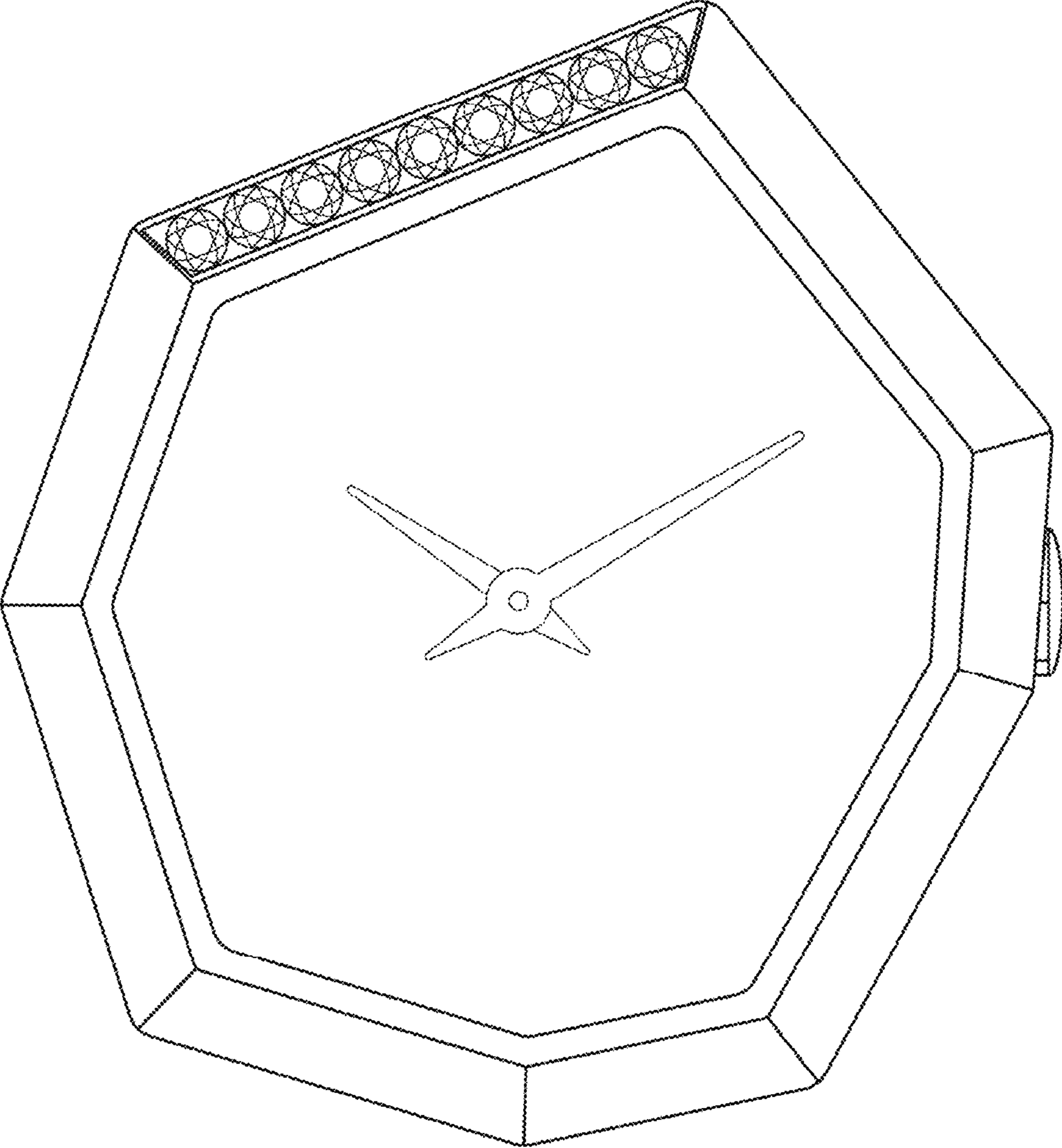


FIG. 2

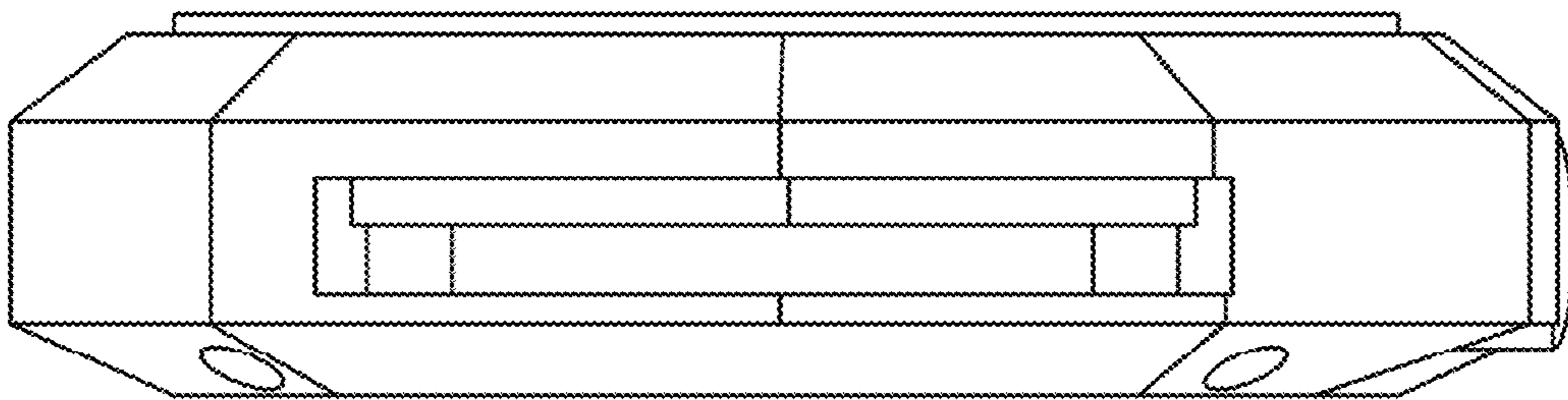


FIG. 3

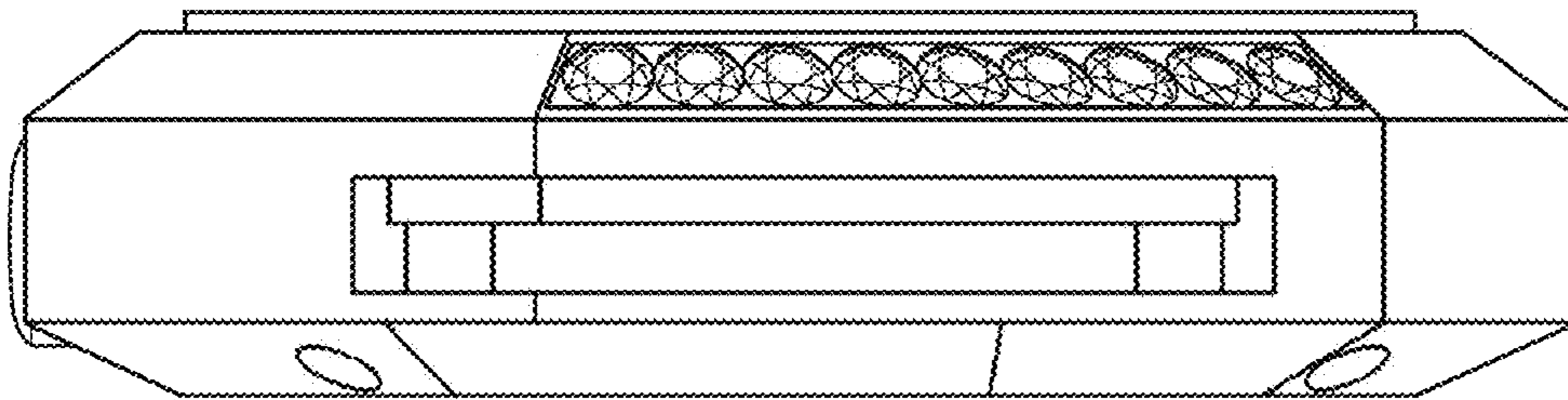


FIG. 4

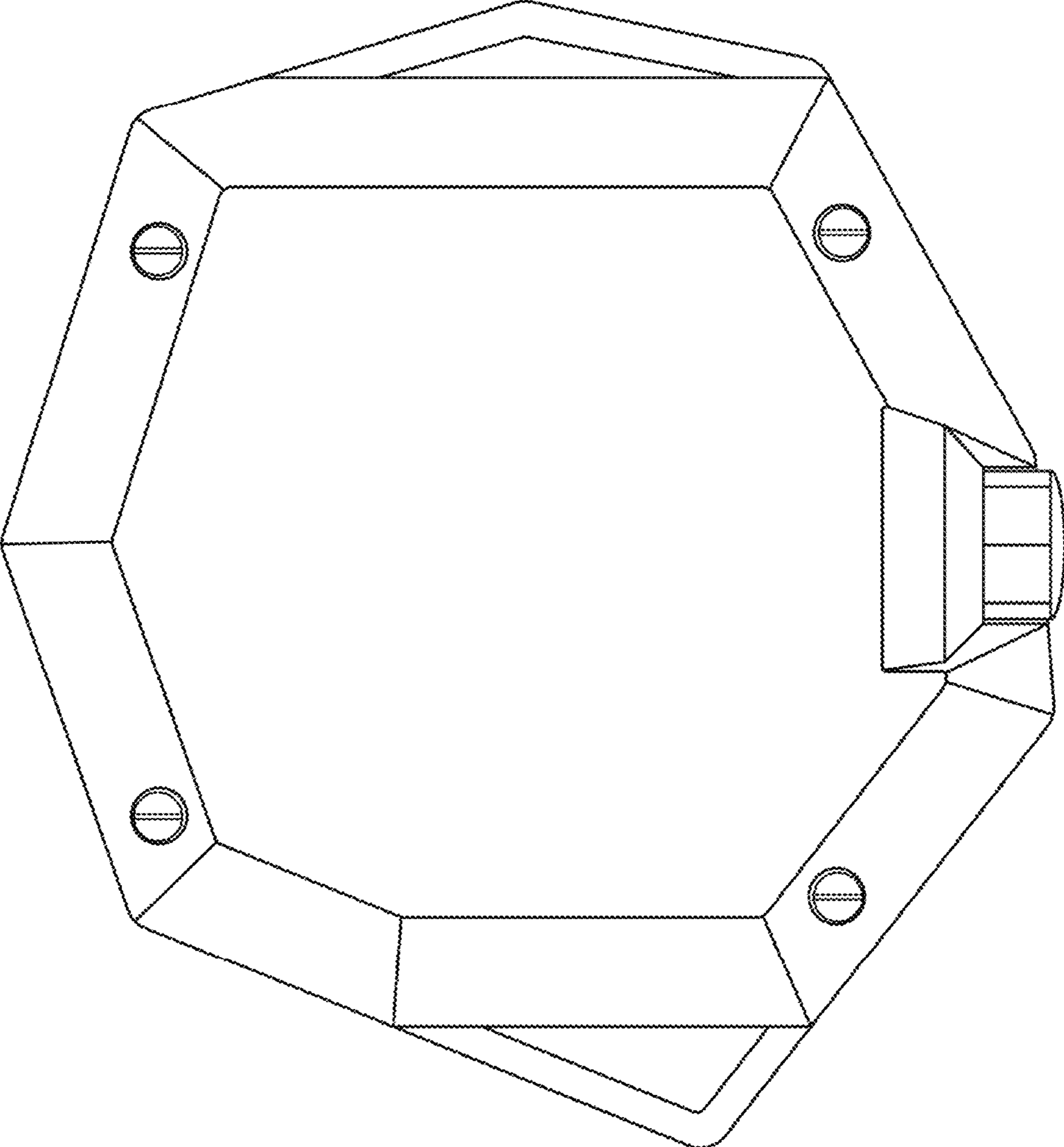


FIG. 5

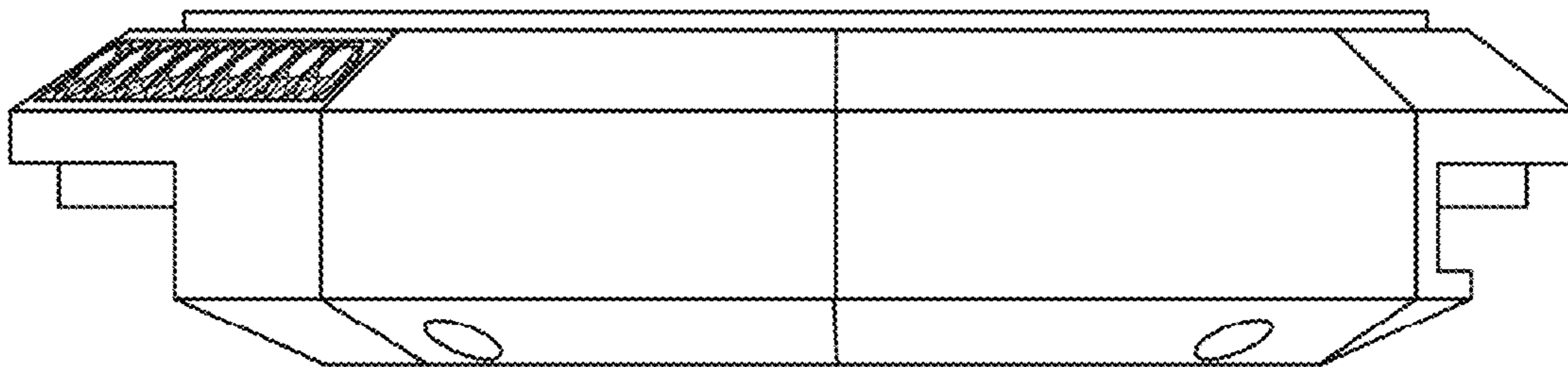


FIG. 6

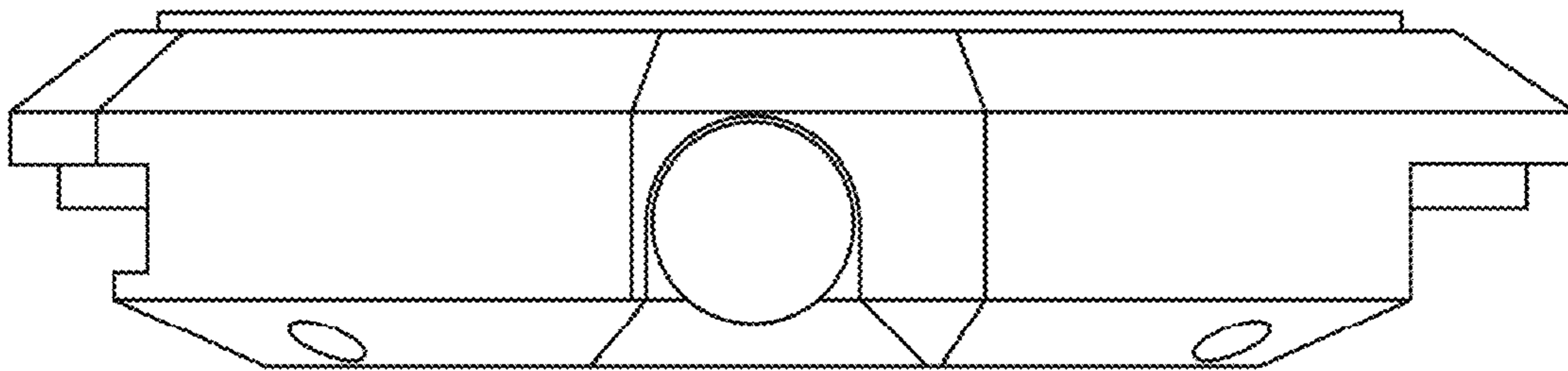


FIG. 7

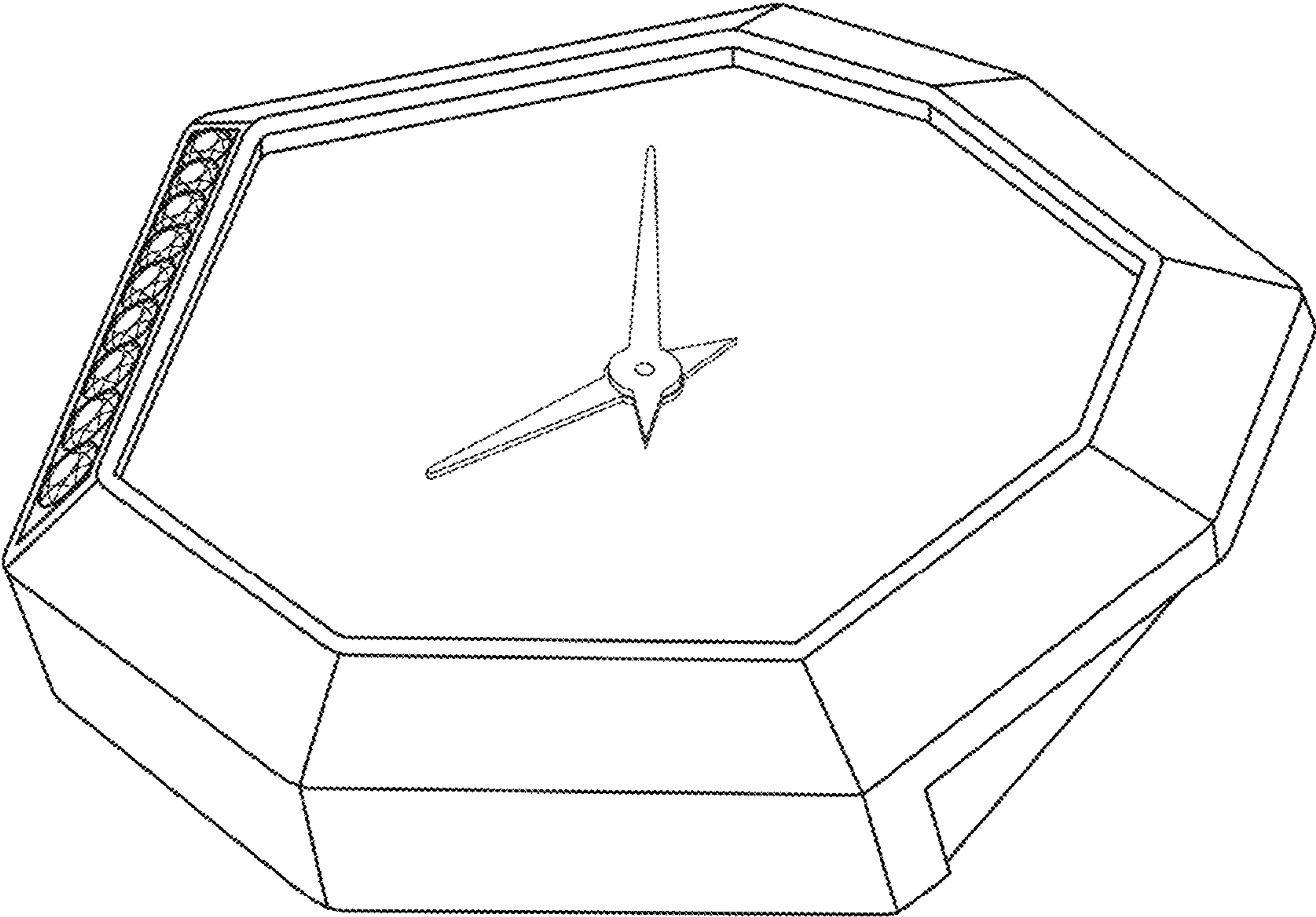


FIG. 8

