



US00D906135S

(12) **United States Design Patent**
Fogarty

(10) **Patent No.:** **US D906,135 S**

(45) **Date of Patent:** **** *Dec. 29, 2020**

- (54) **OPAQUE SEALED CONTAINER**
- (71) Applicant: **Bliss Distribution Inc.**, Orinda, CA
(US)
- (72) Inventor: **Matthew John Fogarty**, Orinda, CA
(US)
- (73) Assignee: **Bliss Distribution Inc.**, Orinda, CA
(US)
- (*) Notice: This patent is subject to a terminal disclaimer.
- (**) Term: **15 Years**
- (21) Appl. No.: **29/601,483**
- (22) Filed: **Apr. 22, 2017**
- (51) **LOC (12) Cl.** **09-03**
- (52) **U.S. Cl.**
USPC **D9/780**; D9/416; D9/453; D9/454;
D9/529; D9/556; D9/558
- (58) **Field of Classification Search**
USPC D9/416, 419, 424-429, 434-435, 438,
D9/454, 516, 518, 529, 549, 556, 558,
D9/715, 763, 774, 777-780; D3/203.2;
D7/629-630; D27/186, 189-190
CPC ... B65D 1/00; B65D 1/10; B65D 1/12; B65D
1/16; B65D 1/165; B65D 23/00; B65D
2251/0003; B65D 2251/0006; B65D
2251/0037; B65D 2251/0068; B65D
2501/00; B65D 2501/0009; A24F 23/00;
A24F 23/02; A24F 23/04
See application file for complete search history.

- 5,409,128 A * 4/1995 Mitchell B65D 21/022
206/508
- D381,582 S 7/1997 Bolton
- 6,546,956 B1 4/2003 Lai
- D479,673 S 9/2003 Kim
- D479,954 S 9/2003 Kim
- D515,429 S * 2/2006 Pace D9/529
- D613,598 S * 4/2010 Westphal D7/584
- D673,450 S * 1/2013 Cronin D9/452
- D692,770 S * 11/2013 Petronio D9/452
- D756,790 S * 5/2016 Henriksson D9/504
- D773,302 S * 12/2016 Henriksson D9/451
- D842,700 S * 3/2019 Blomberg D9/500

(Continued)

Primary Examiner — Dana Meyrow

(74) *Attorney, Agent, or Firm* — Kanika Radhakrishnan;
Evergreen Valley Law Group

(57) **CLAIM**

The ornamental design for an opaque sealed container, as shown and described.

DESCRIPTION

FIG. 1 illustrates a top, front, left side perspective view of an opaque sealed container according to the present invention;

FIG. 2 illustrates a top plan view thereof, shown at a reduced scale;

FIG. 3 illustrates a rear elevation view thereof, the front elevation view excluding the top surface of the opaque sealed container being identical, shown at an enlarged scale;

FIG. 4 illustrates an exploded top, front, left side perspective view thereof shown at a reduced scale, showing the interior lid; and,

FIG. 5 illustrates an exploded top, front, left side perspective view thereof, with the interior lid removed.

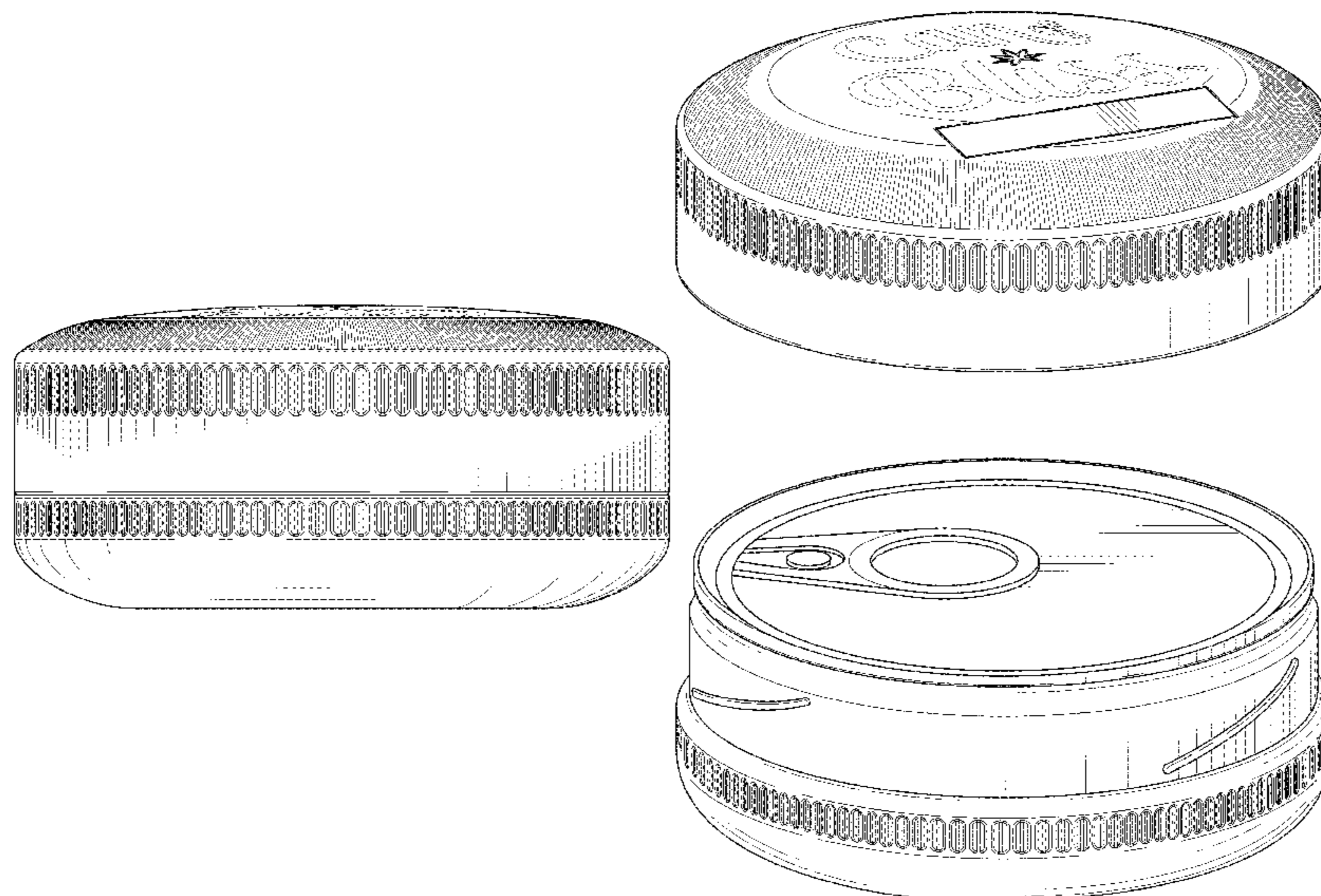
The broken lines in the drawings, including the unshaded inside bottom surface of the container shown in FIG. 5, illustrate the portions of the opaque sealed container that form no part of the claimed design.

1 Claim, 5 Drawing Sheets

(56) **References Cited**

U.S. PATENT DOCUMENTS

- D22,701 S * 8/1893 McGill D9/425
- D285,657 S * 9/1986 Poore D9/733
- D337,051 S * 7/1993 Harbeke D9/424



(56)

References Cited

U.S. PATENT DOCUMENTS

2005/0089658 A1 4/2005 Scantlebury et al.
2010/0078341 A1* 4/2010 Rasmussen B65D 21/083
206/260
2016/0368649 A1 12/2016 Eschenburg et al.

* cited by examiner

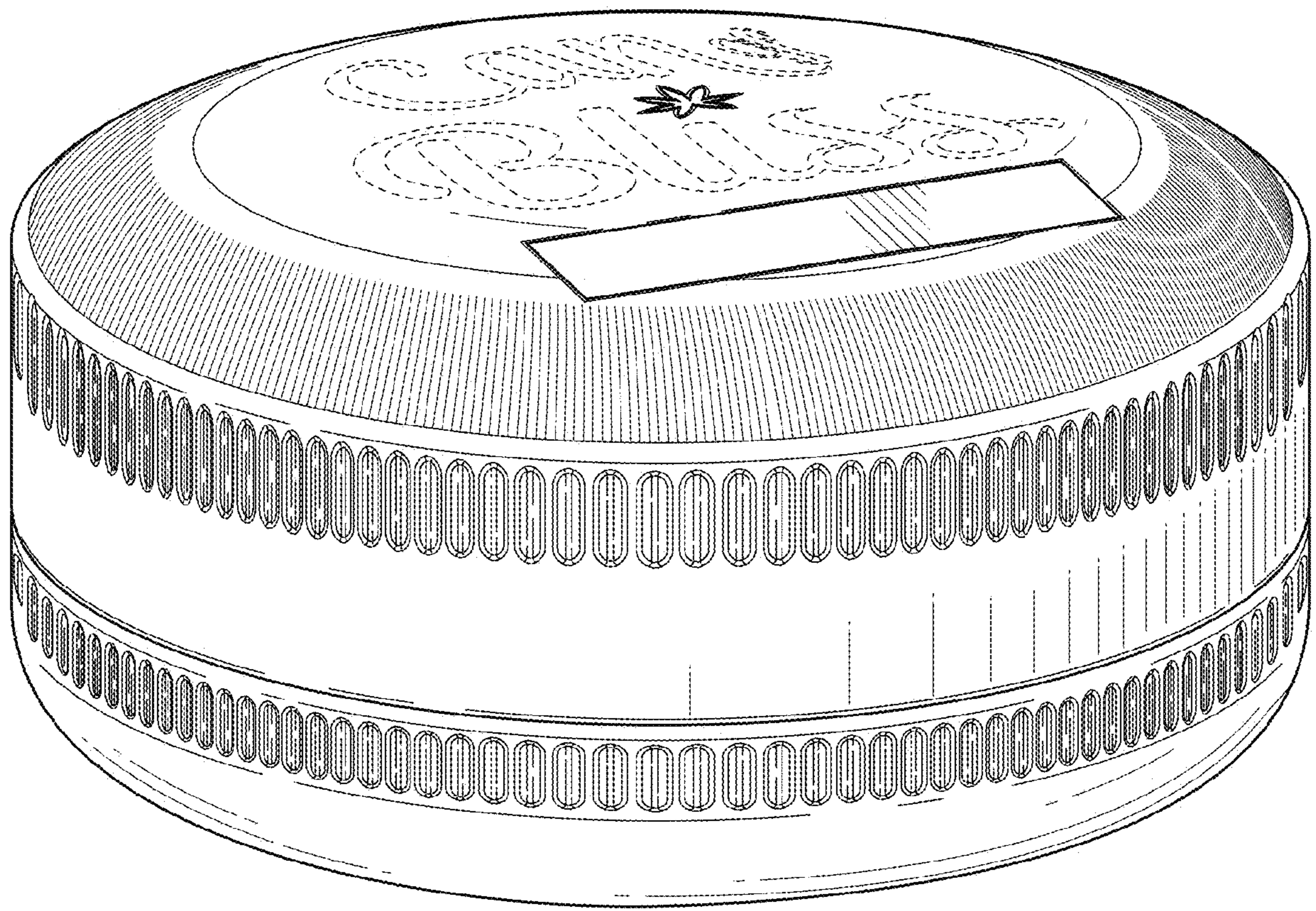


FIG. 1

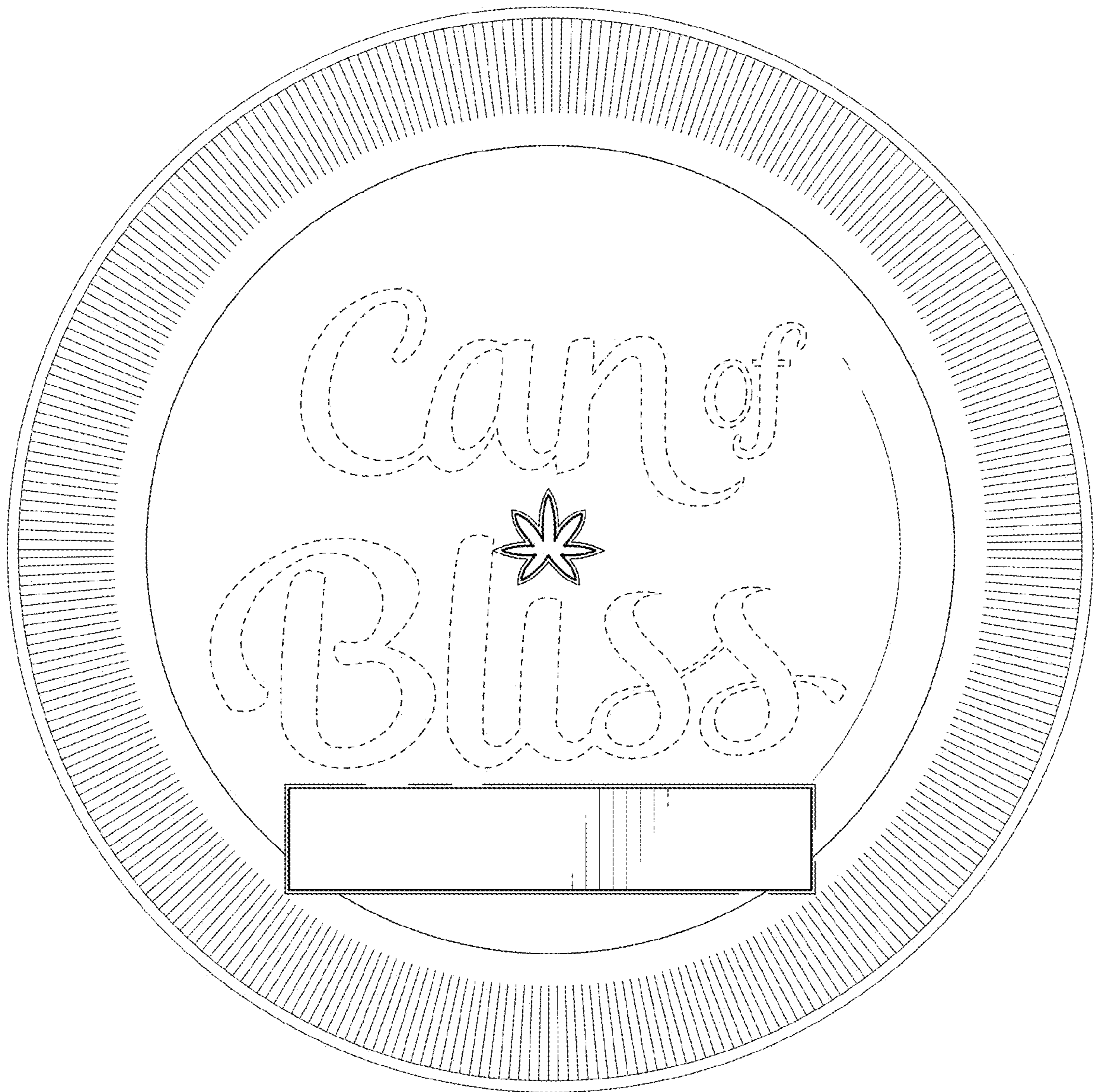


FIG. 2

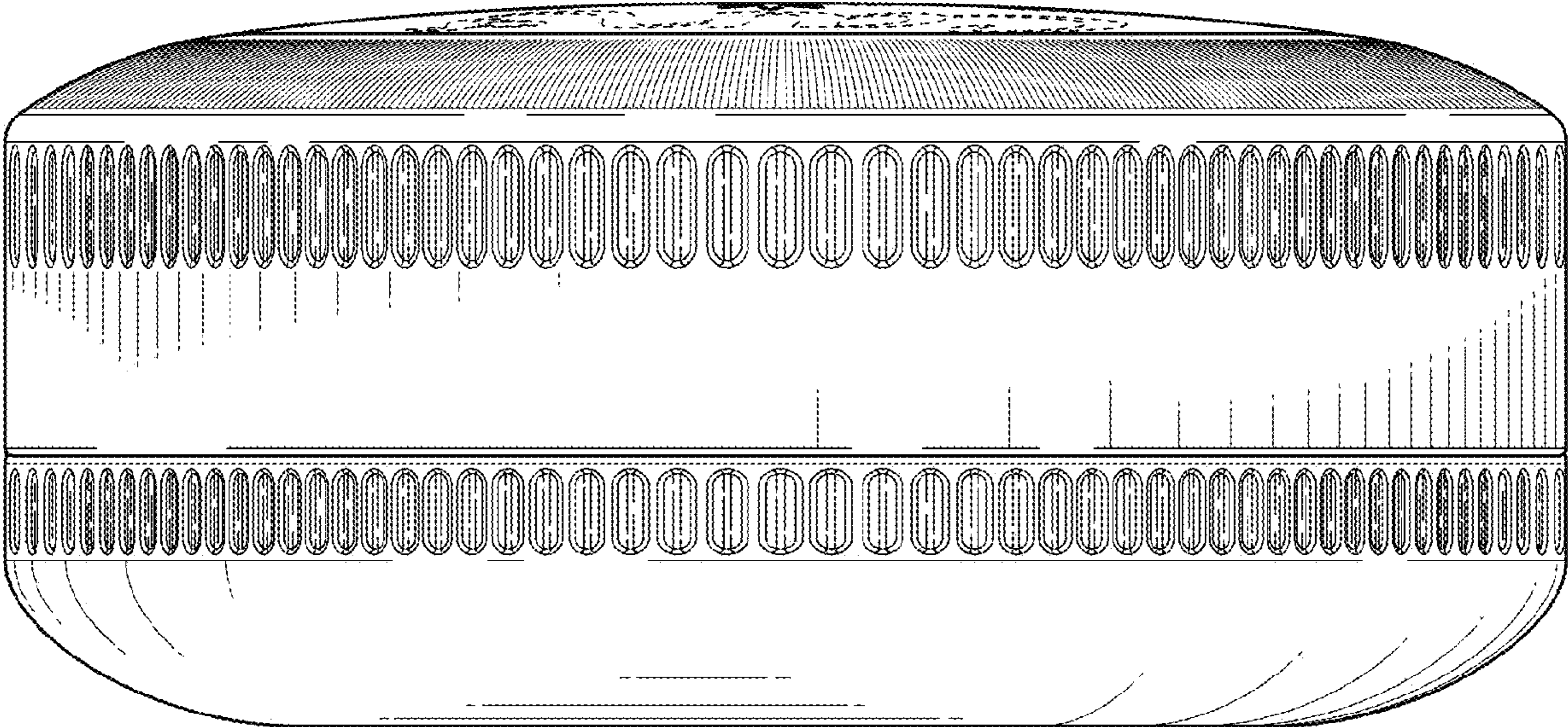


FIG. 3

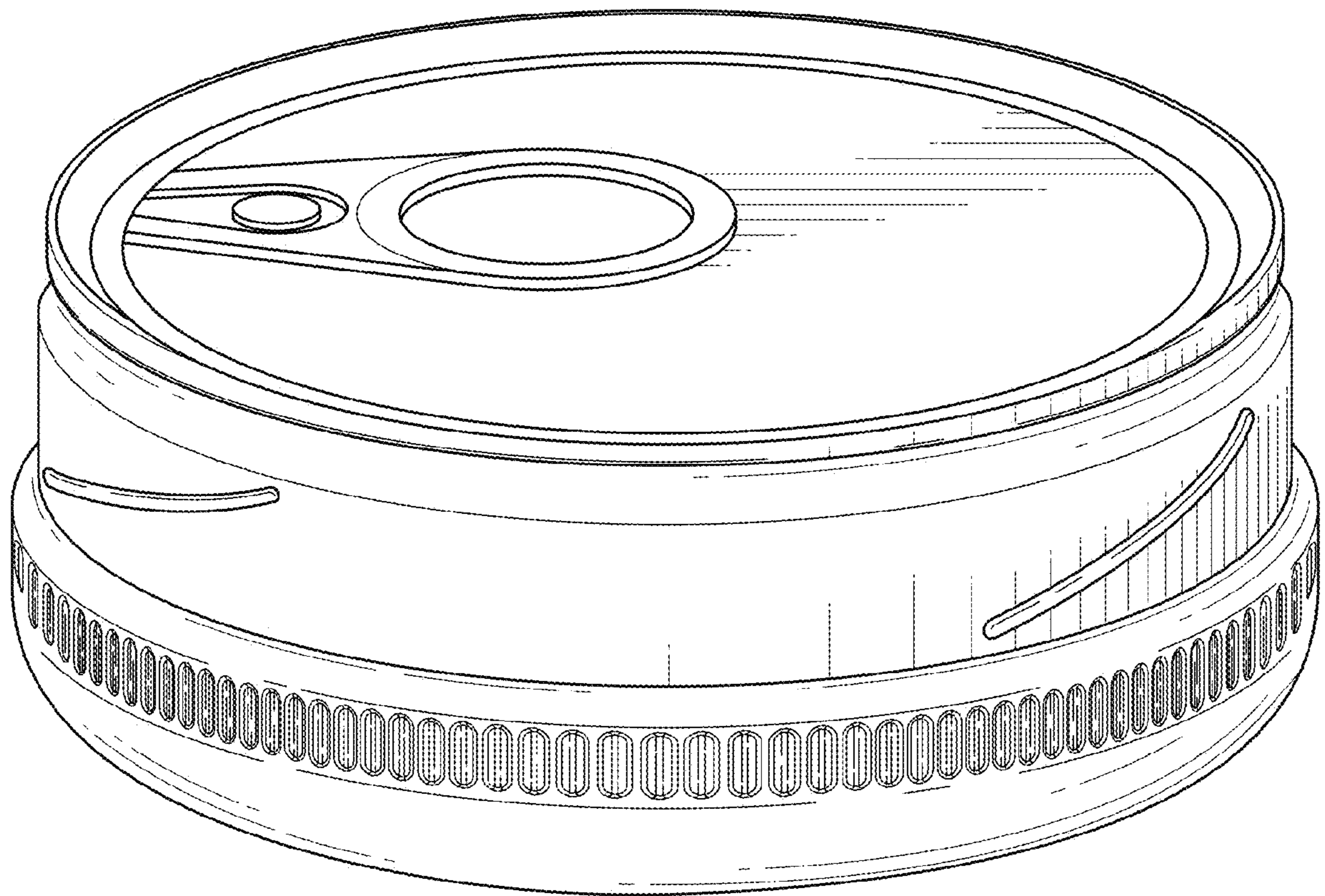
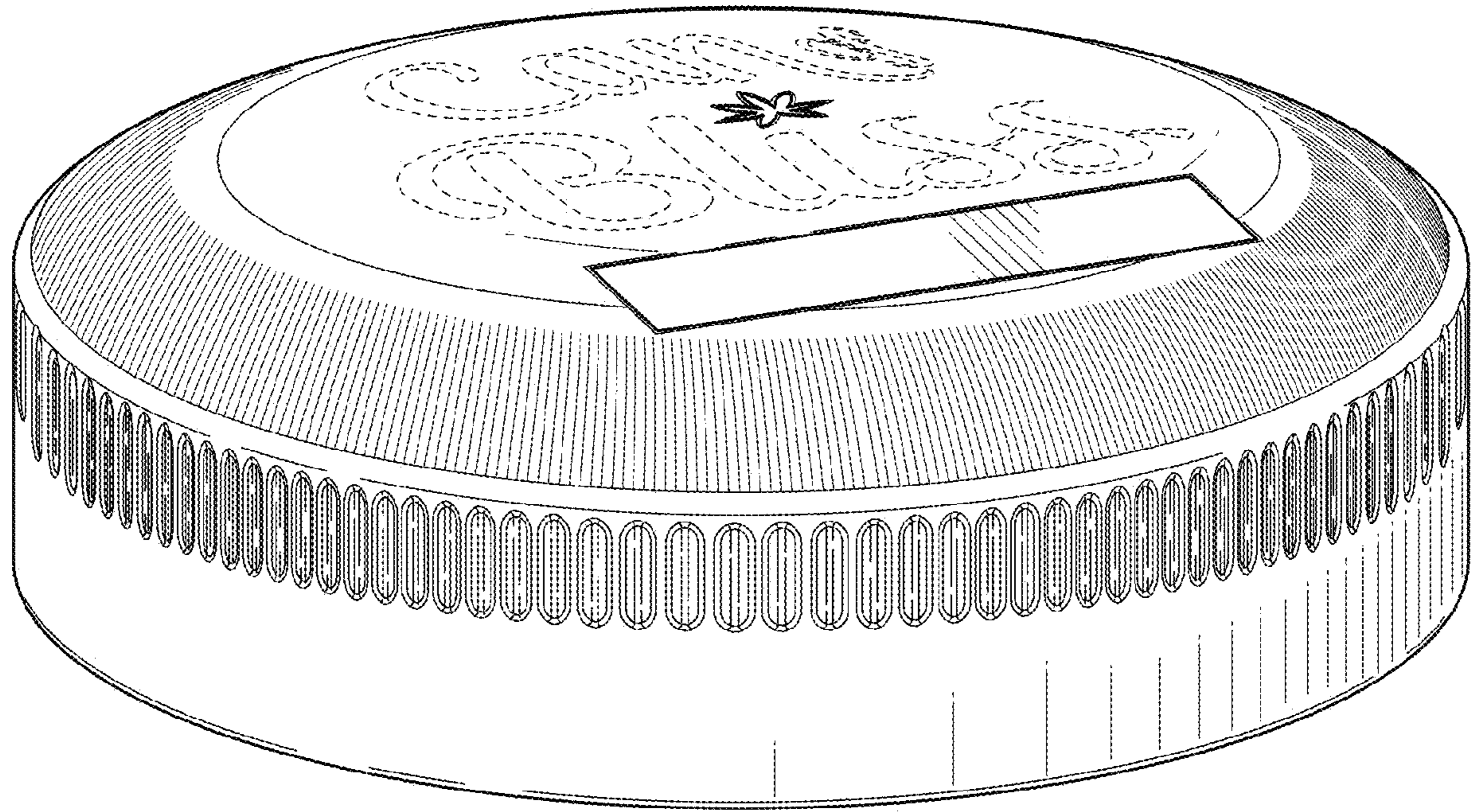


FIG. 4

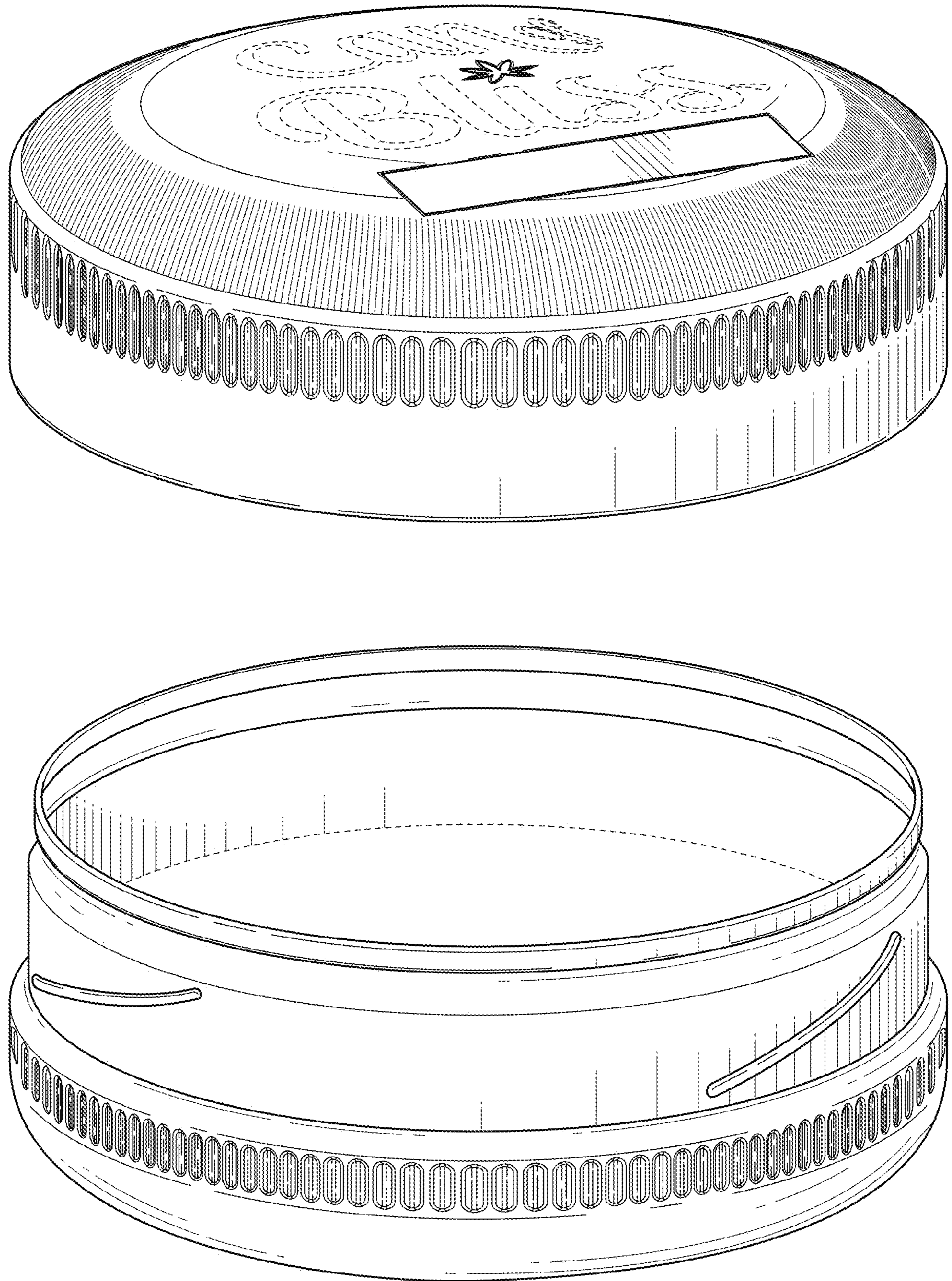


FIG. 5