



US00D906132S

(12) **United States Design Patent**
Fuketa

(10) **Patent No.:** **US D906,132 S**

(45) **Date of Patent:** **** Dec. 29, 2020**

(54) **PACKAGING CONTAINER**

(71) Applicant: **NIPRO CORPORATION**, Osaka (JP)

(72) Inventor: **Hiroshi Fuketa**, Osaka (JP)

(73) Assignee: **NIPRO CORPORATION**, Osaka (JP)

(**) Term: **15 Years**

(21) Appl. No.: **29/683,082**

(22) Filed: **Mar. 11, 2019**

(30) **Foreign Application Priority Data**

Nov. 30, 2018 (JP) 2018-026124

(51) **LOC (12) Cl.** **09-01**

(52) **U.S. Cl.**
USPC **D9/724**

(58) **Field of Classification Search**
USPC D9/442, 503, 695-699, 702-714,
D9/723-729; D24/199; D28/7;

(Continued)

(56) **References Cited**

U.S. PATENT DOCUMENTS

D249,644 S * 9/1978 Oeckl D7/590
D251,203 S * 2/1979 Williamson D24/114

(Continued)

FOREIGN PATENT DOCUMENTS

JP 1566433 S 1/2017
JP 1579765 S 6/2017

OTHER PUBLICATIONS

Japanese Office Action, dated Aug. 6, 2019, for Japanese Application No. 2018/026124, with an English translation.

Primary Examiner — Janice Patyk

(74) *Attorney, Agent, or Firm* — Birch, Stewart, Kolasch & Birch LLP

(57) **CLAIM**

The ornamental design for a packaging container, as shown and described.

DESCRIPTION

FIG. 1 is a perspective view of a packaging container, showing my new design;

FIG. 2 is a front elevation view thereof, the rear elevation view being a mirror image;

FIG. 3 is a top view thereof;

FIG. 4 is a bottom view thereof;

FIG. 5 is a right side elevation view thereof, the left side elevation view being a mirror image thereof;

FIG. 6 is a cross-sectional view thereof, taken along line 6-6 of FIG. 2;

FIG. 7 is a cross-sectional view thereof, taken along line 7-7 of FIG. 5;

FIG. 8 is a perspective view thereof, shown without the body for ease of illustration;

FIG. 9 is a front elevation view thereof, the rear elevation view being a mirror image, shown without the body for ease of illustration;

FIG. 10 is a top view thereof, shown without the body for ease of illustration;

FIG. 11 is a bottom view thereof, shown without the body for ease of illustration;

FIG. 12 is a right side elevation view thereof, the left side elevation view being a mirror image thereof, shown without the body for ease of illustration;

FIG. 13 is a cross-sectional view thereof, taken along line 13-13 of FIG. 10, shown without the body for ease of illustration;

FIG. 14 is a cross-sectional view thereof, taken along line 14-14 of FIG. 10, shown without the body for ease of illustration;

FIG. 15 is a cross-sectional view thereof, taken along line 15-15 of FIG. 9, shown without the body for ease of illustration;

(Continued)

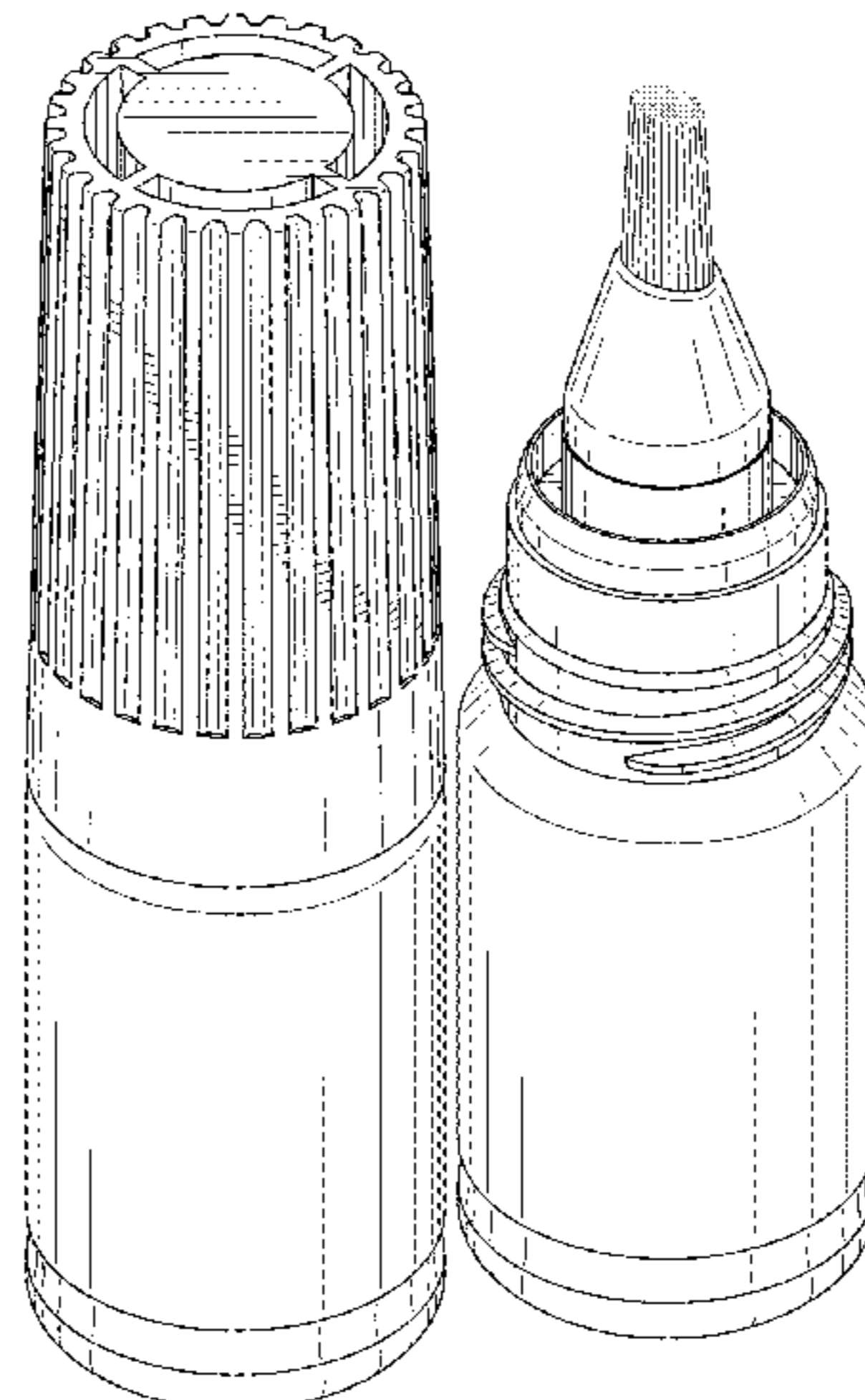


FIG. 16 is a perspective view thereof, shown without the cap for ease of illustration;
FIG. 17 is a front elevation view thereof, the rear elevation view being a mirror image, shown without the cap for ease of illustration;
FIG. 18 is a top view thereof, shown without the cap for ease of illustration;
FIG. 19 is a bottom view thereof, shown without the cap for ease of illustration;
FIG. 20 is a right side elevation view thereof, the left side elevation view being a mirror image thereof, shown without the cap for ease of illustration;
FIG. 21 is a cross-sectional view thereof, taken along line 21-21 of FIG. 17, shown without the cap for ease of illustration;
FIG. 22 is a cross-sectional view thereof, taken along line 22-22 of FIG. 20, shown without the cap for ease of illustration; and,
FIG. 23 is a partially enlarged fragmentary view thereof, taken from FIG. 20.
The dot-dash broken lines of FIGS. 20 and 23 are include to show a partially enlarged view only and form no part of the claimed design.

The broken lines in the figures illustrate the portions of the design that form no part of the claimed design.
None of the broken lines form any part of the claimed design.

1 Claim, 18 Drawing Sheets

(58) **Field of Classification Search**

USPC 132/317, 318, 320; 222/95, 207, 212,
222/335
CPC A45D 34/00; A45D 40/00; B65D 81/3272
See application file for complete search history.

(56) **References Cited**

U.S. PATENT DOCUMENTS

D468,211	S	*	1/2003	Harris	D9/530
D491,469	S	*	6/2004	Horie	D9/529
D542,659	S	*	5/2007	Meether	D23/211.1
D669,982	S	*	10/2012	Ruiz, Sr.	D24/133
D686,366	S	*	7/2013	Ruiz, Sr.	D28/7
D808,282	S	*	1/2018	Weber	D9/726
D837,067	S		1/2019	Sawada et al.		

* cited by examiner

FIG. 1

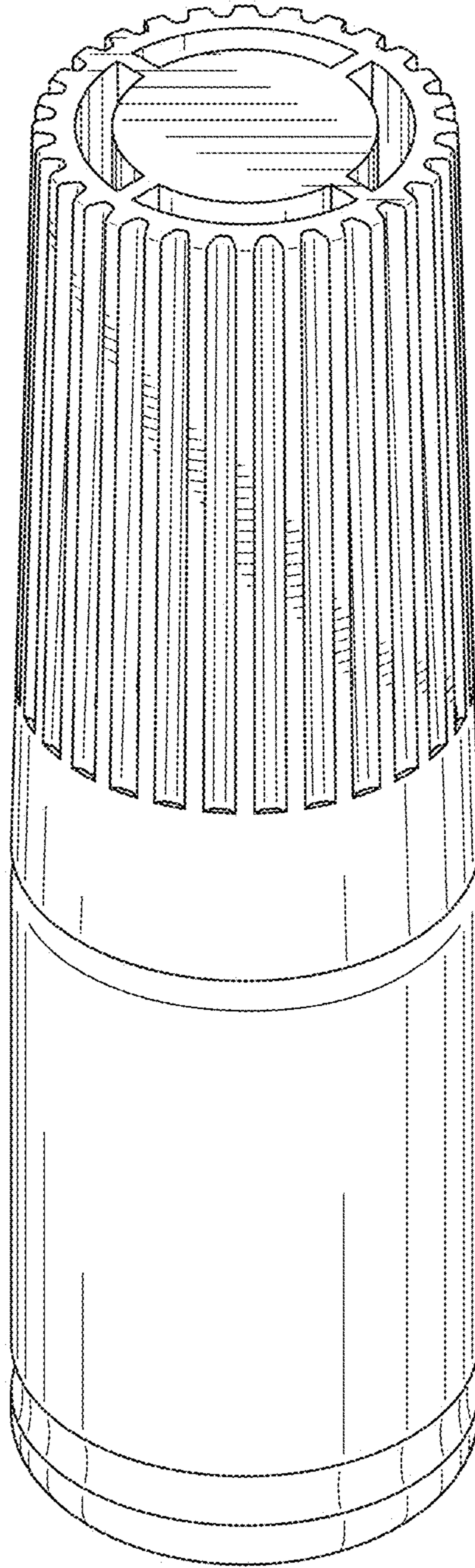


FIG.2

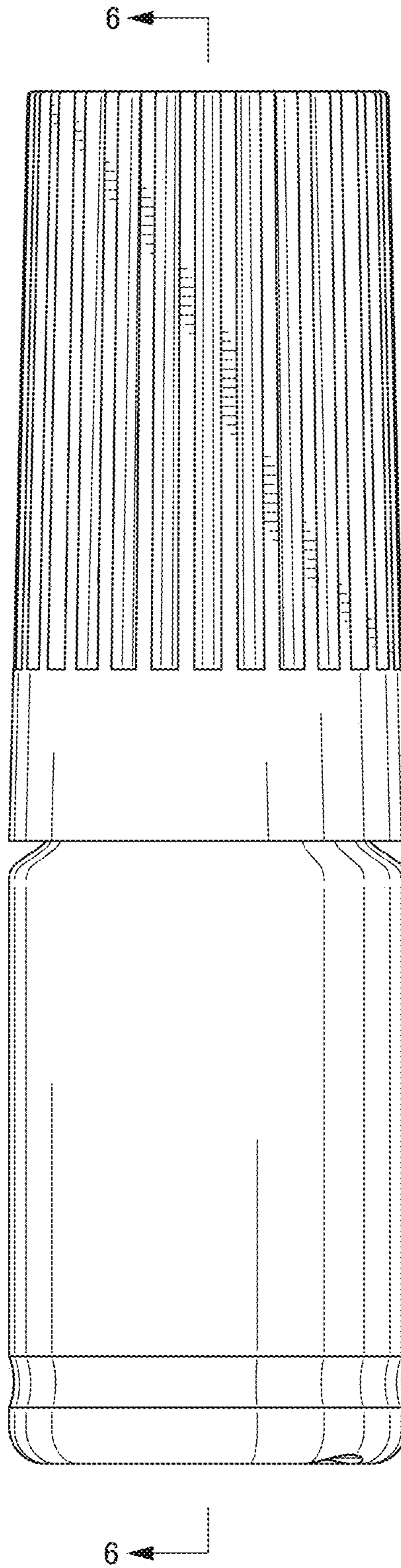


FIG.3

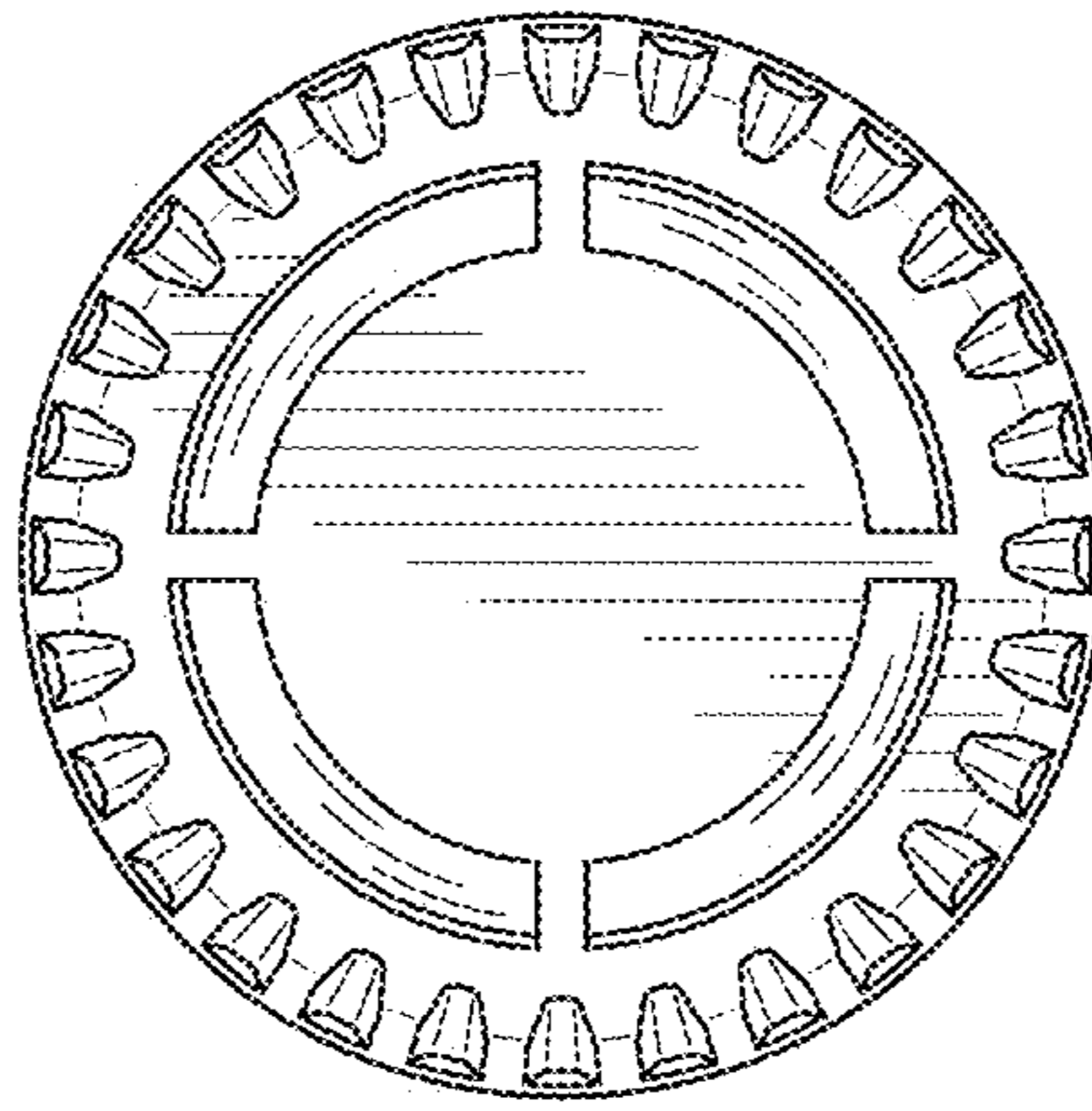


FIG.4

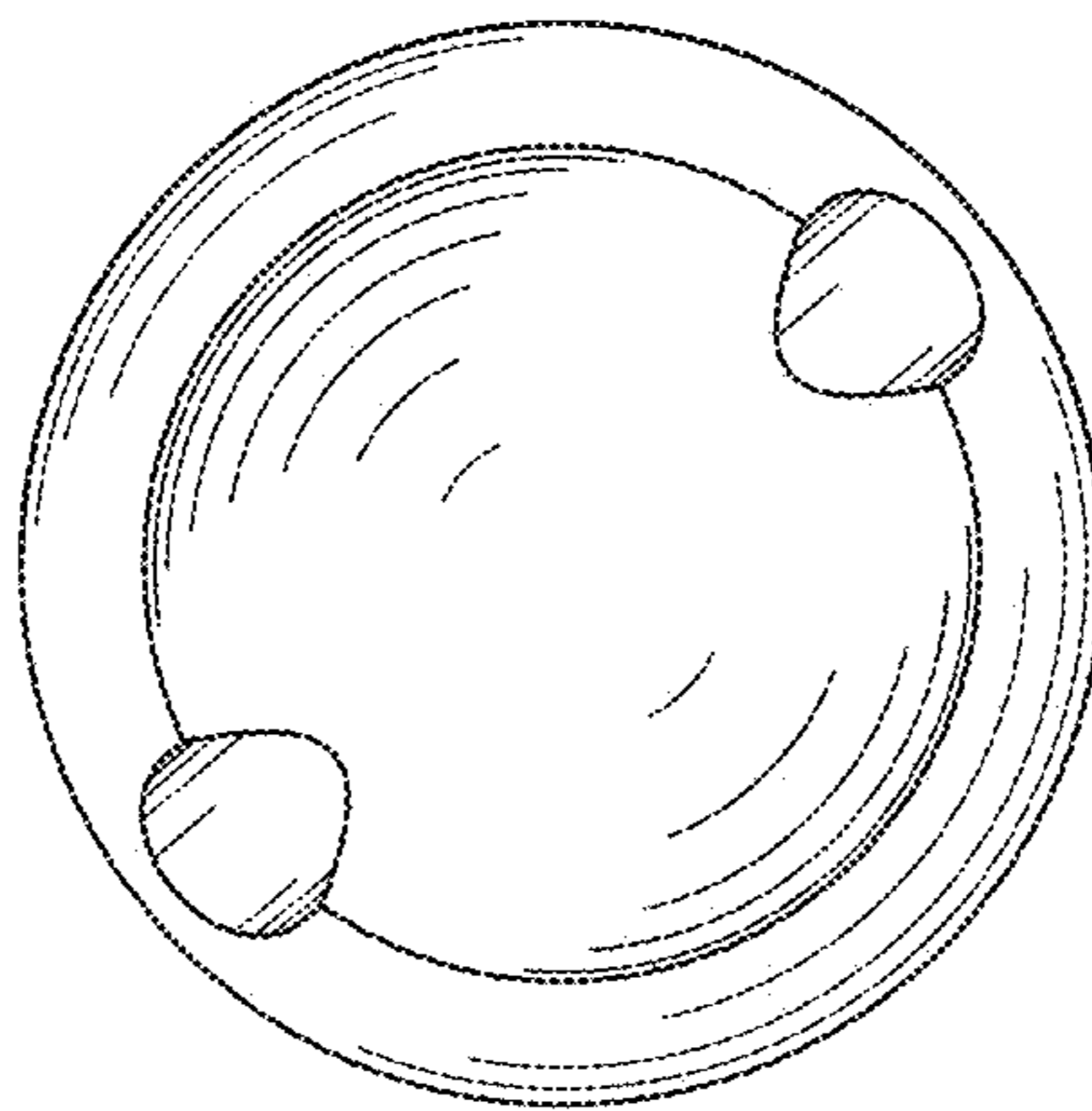


FIG.5

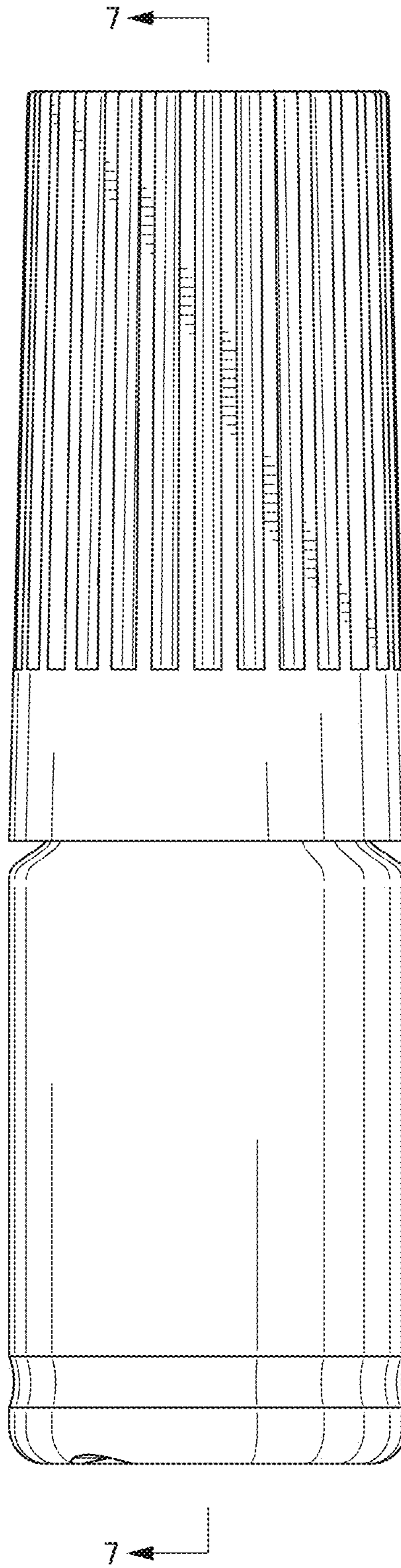


FIG.6

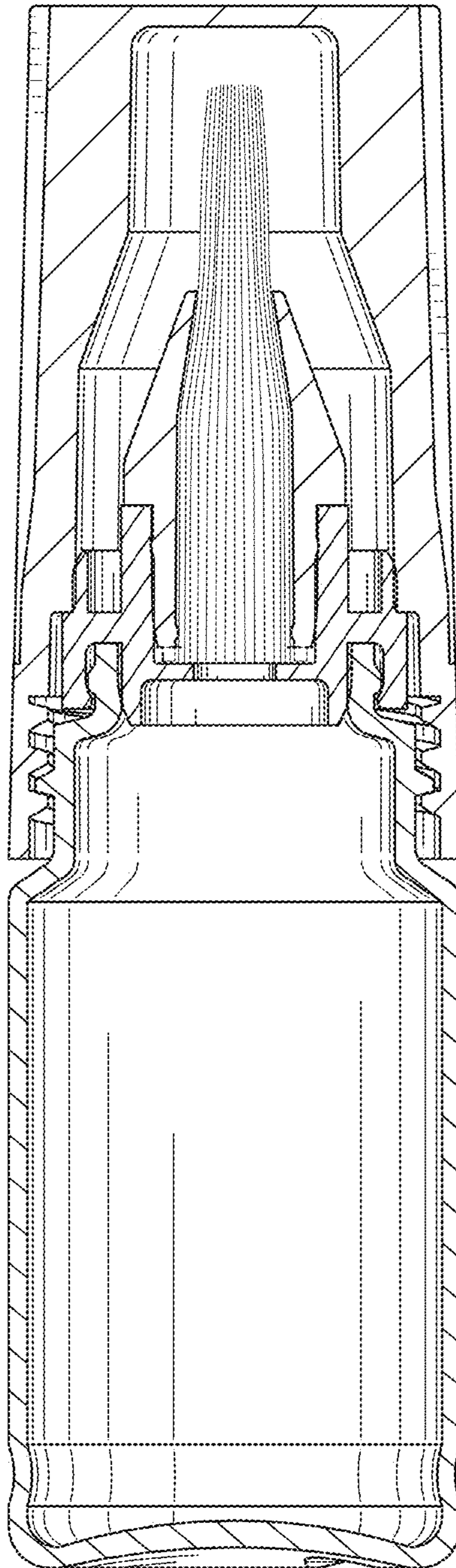


FIG. 7

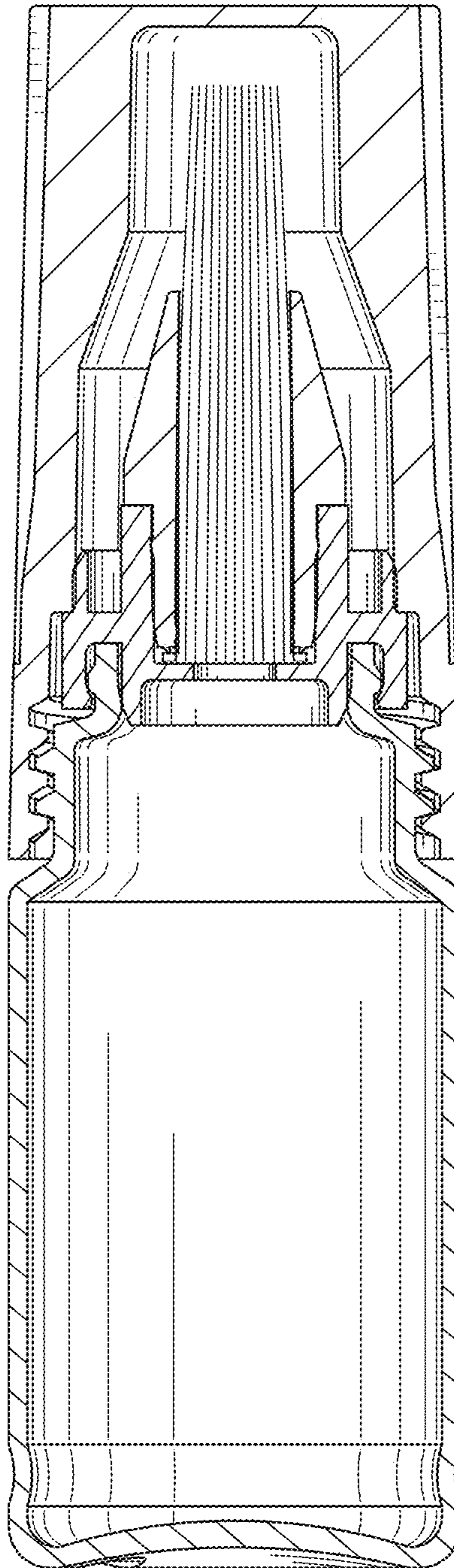


FIG.8

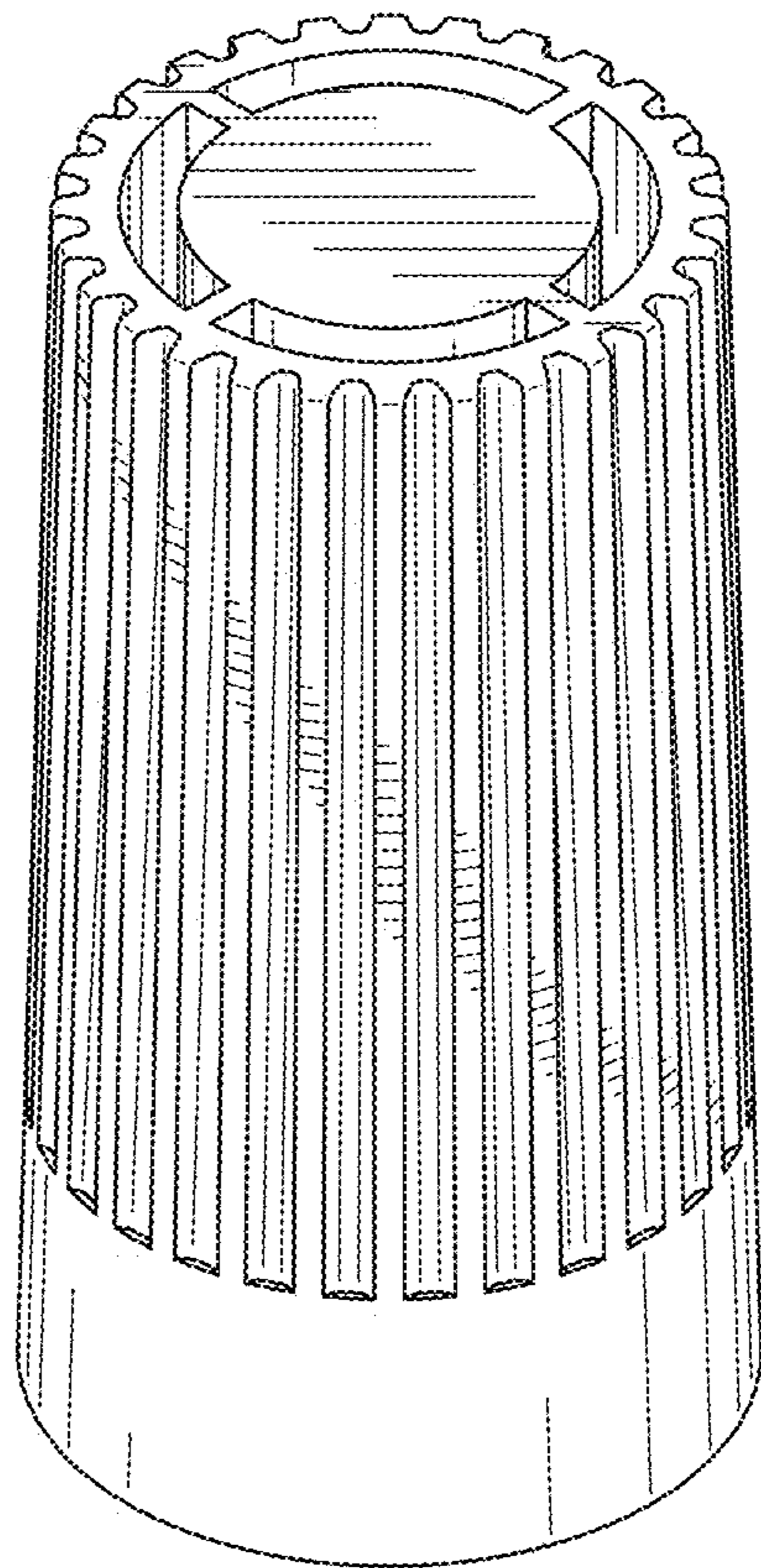


FIG.9

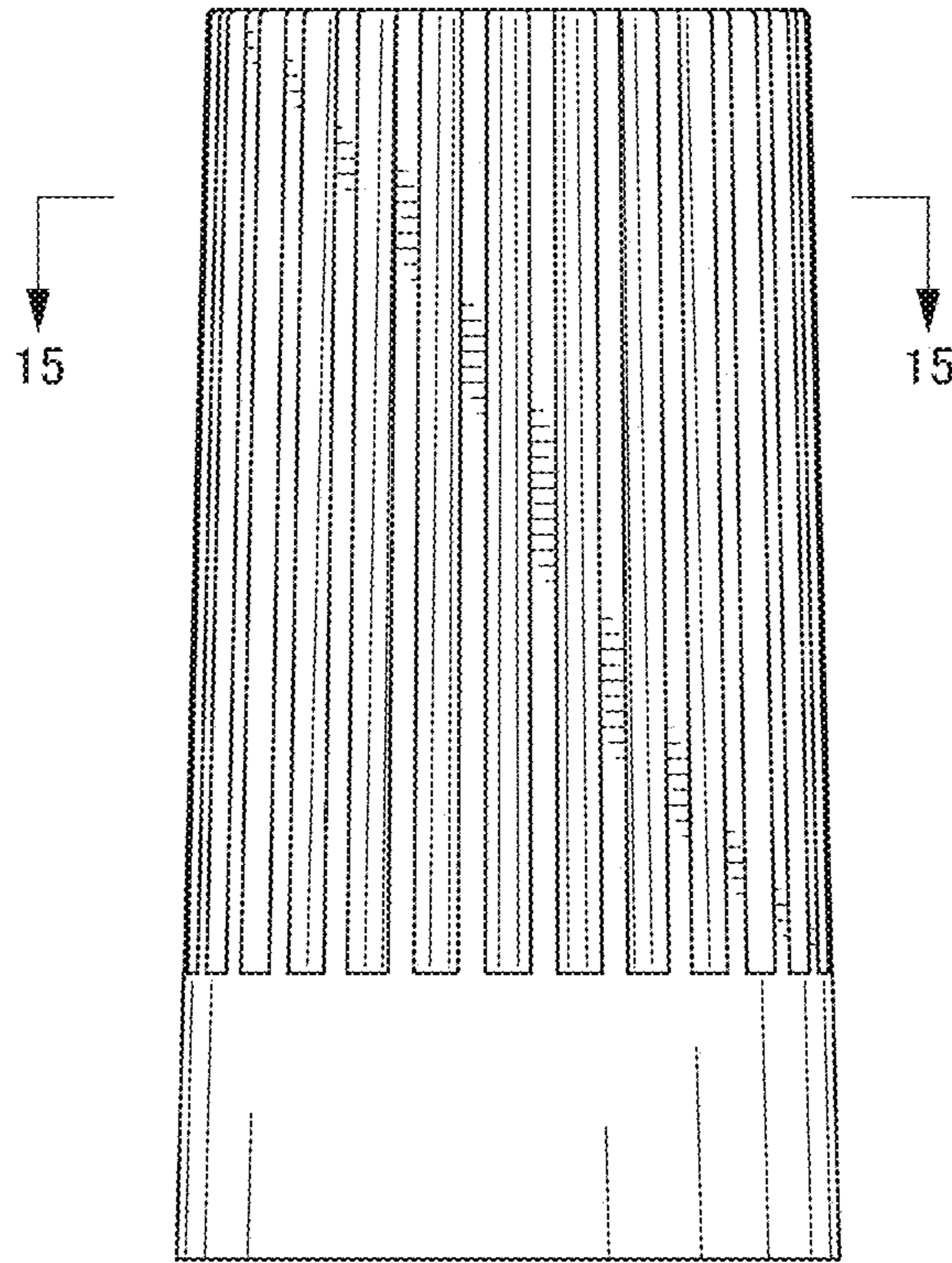


FIG.10

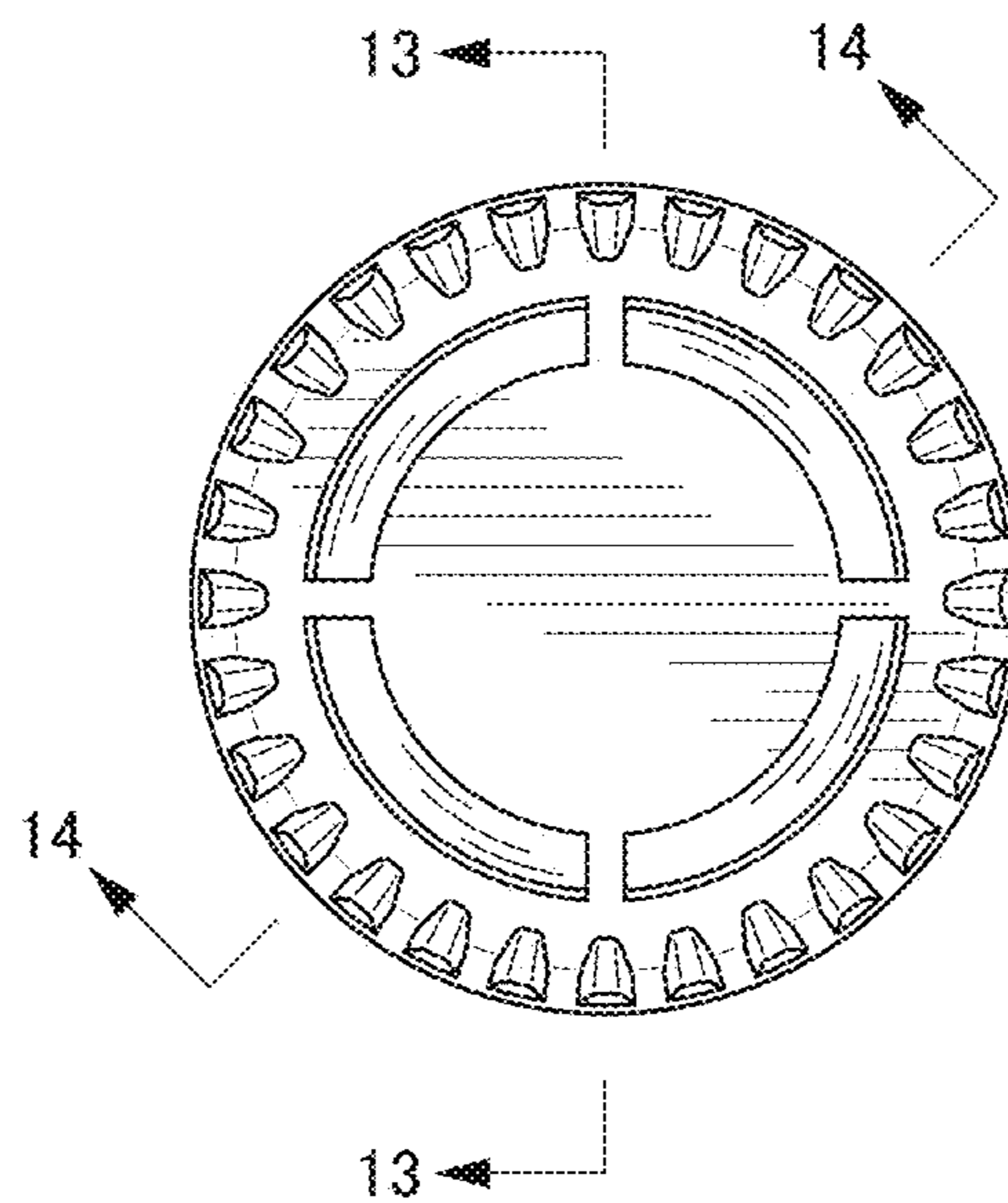


FIG.11

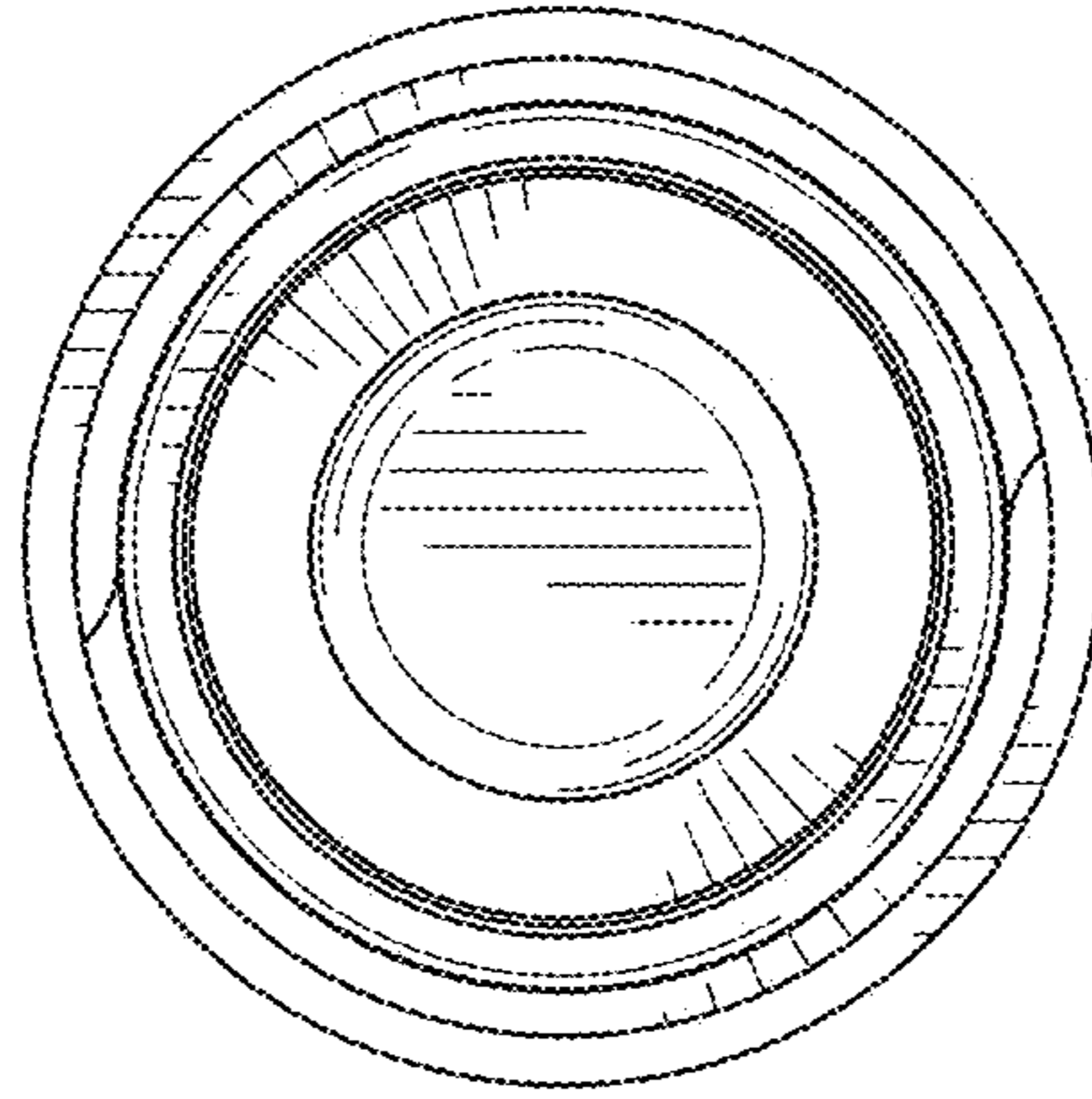


FIG.12

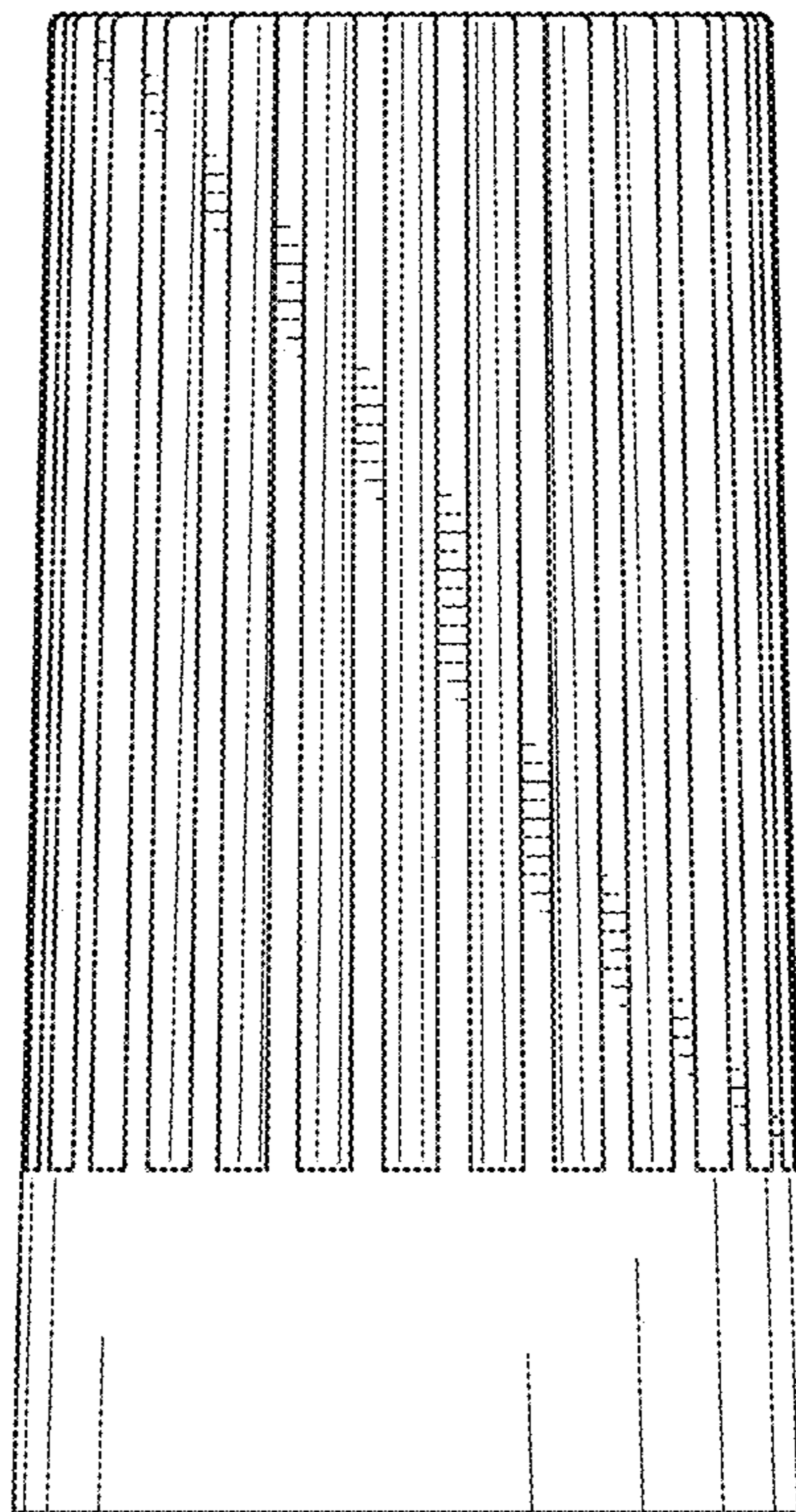


FIG. 13

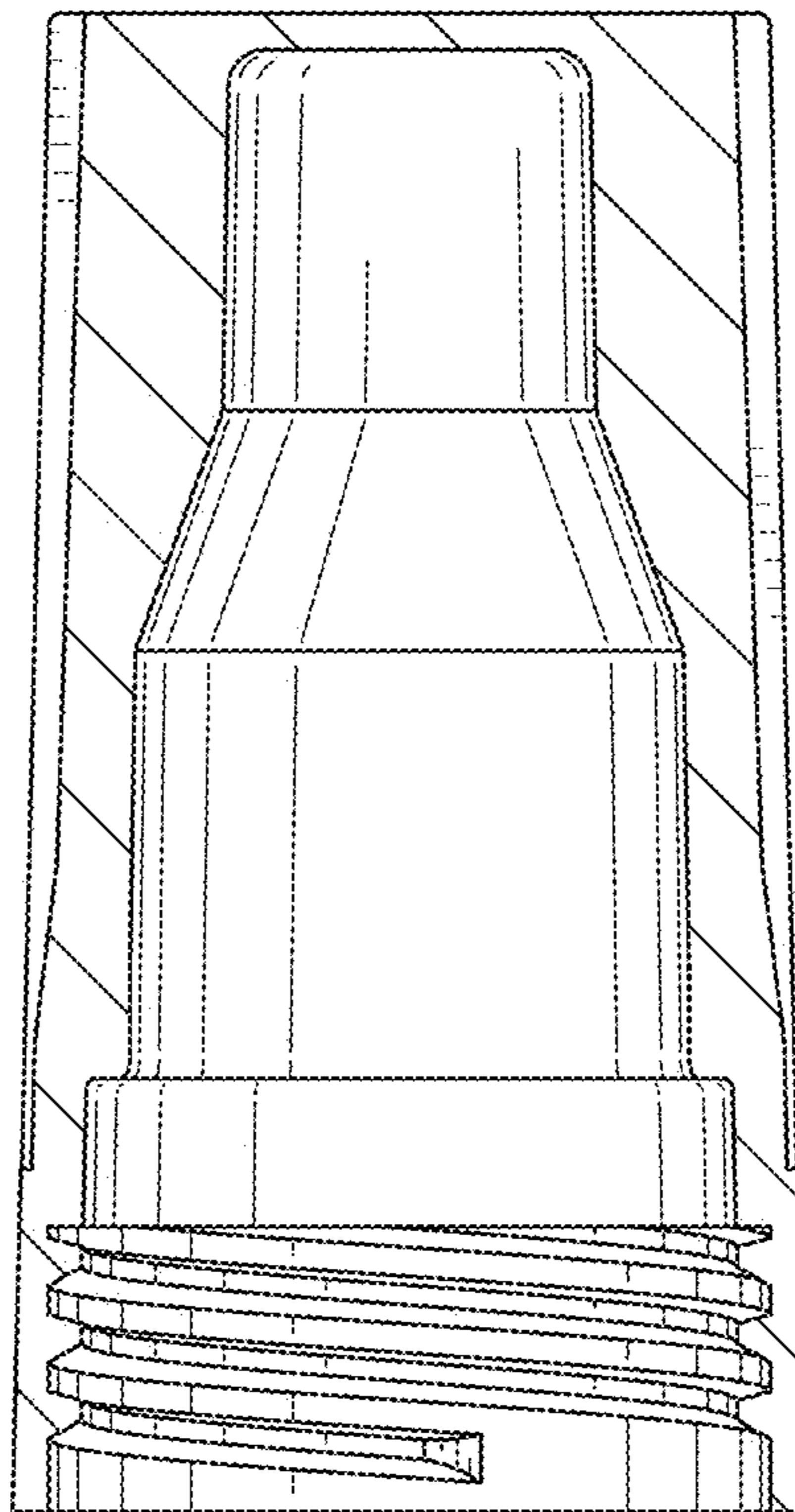


FIG.14

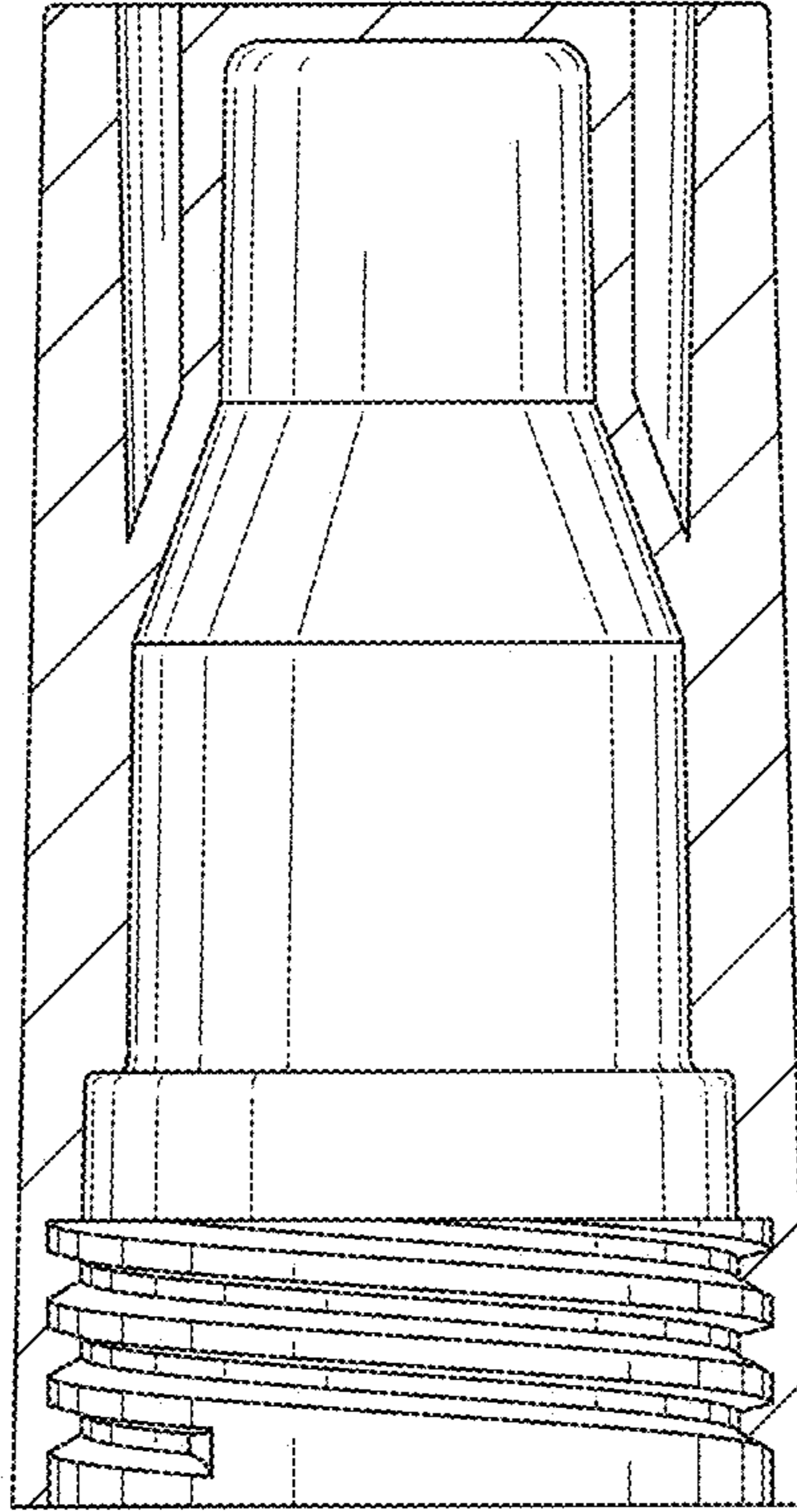


FIG.15

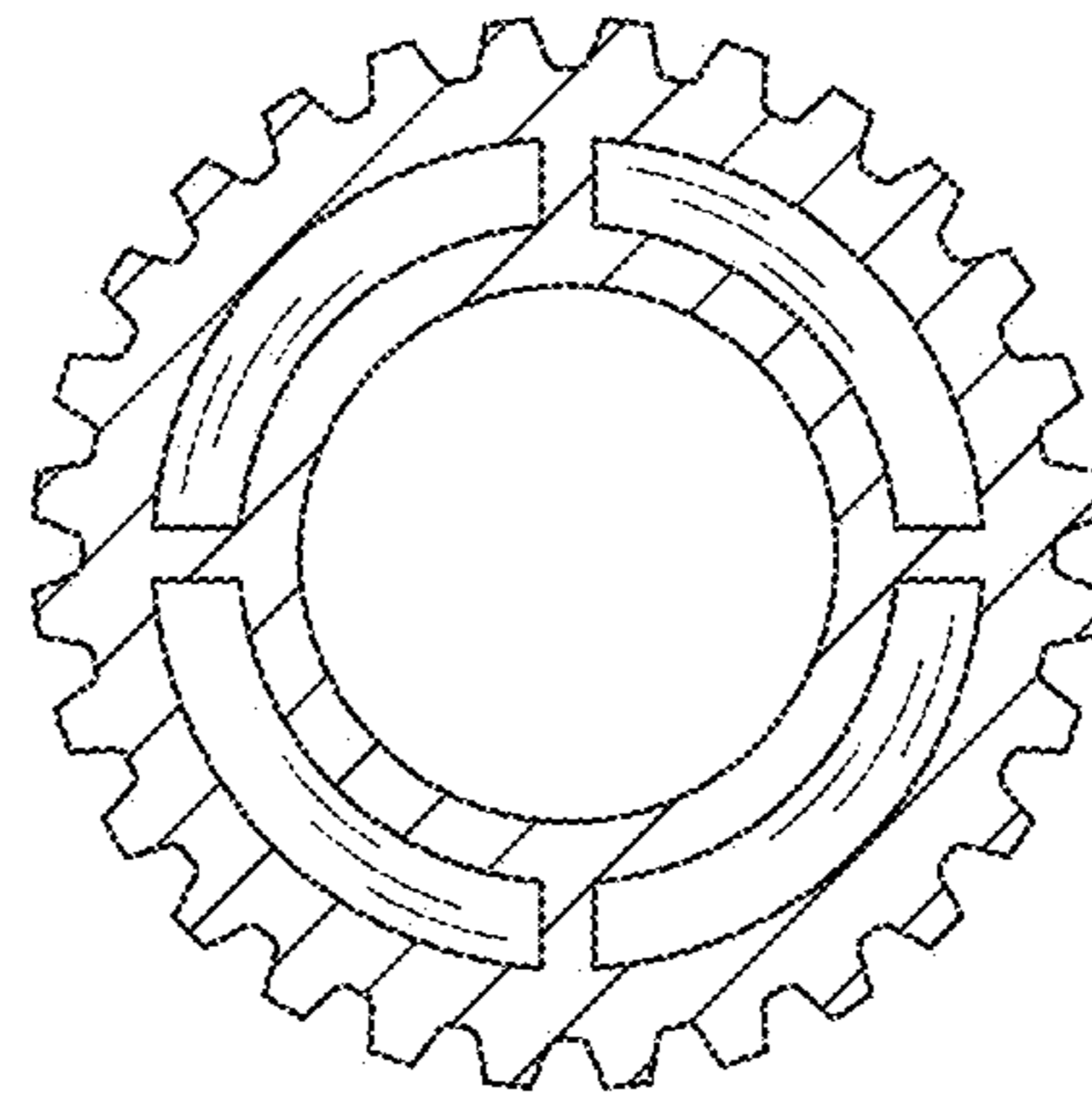


FIG. 16

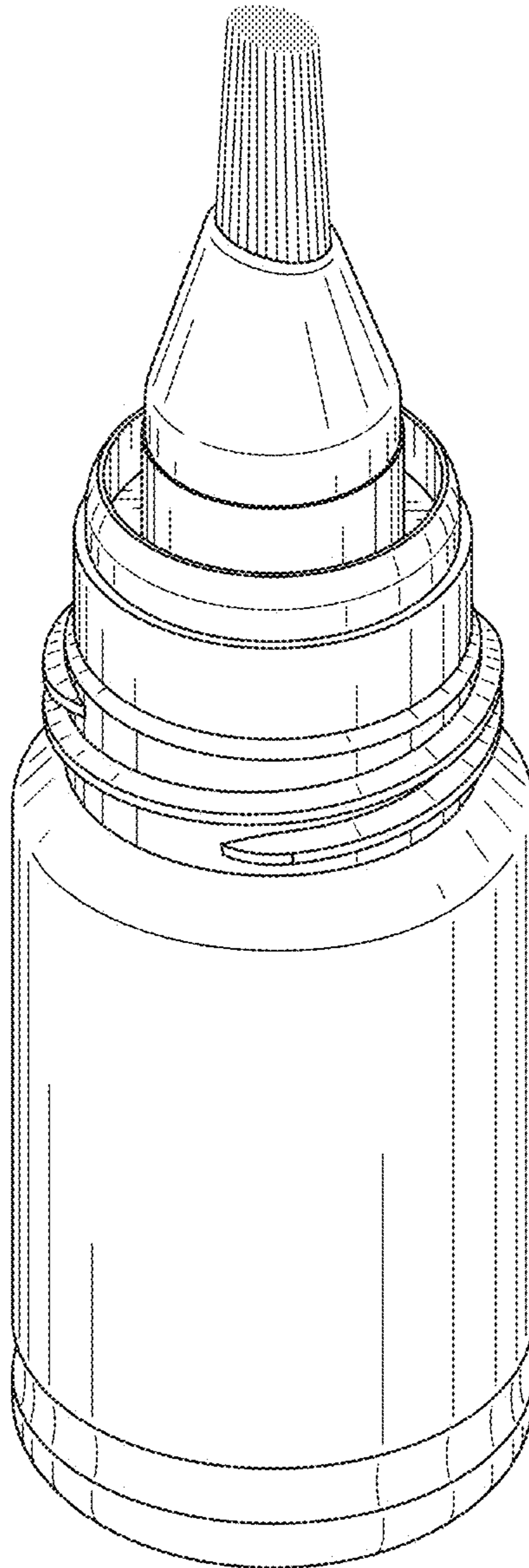


FIG. 17

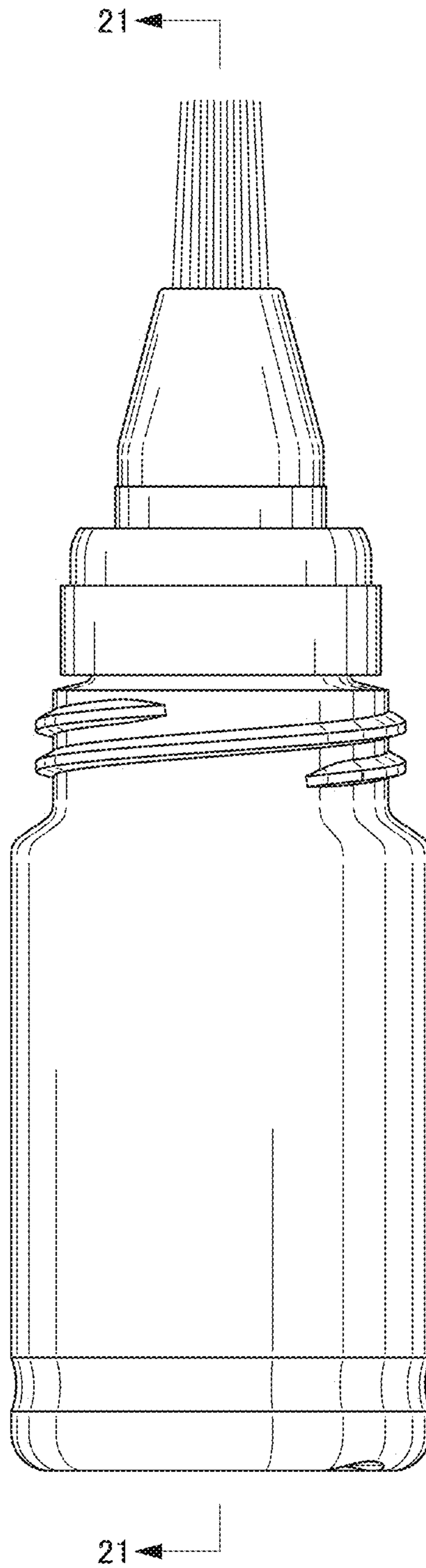


FIG.18

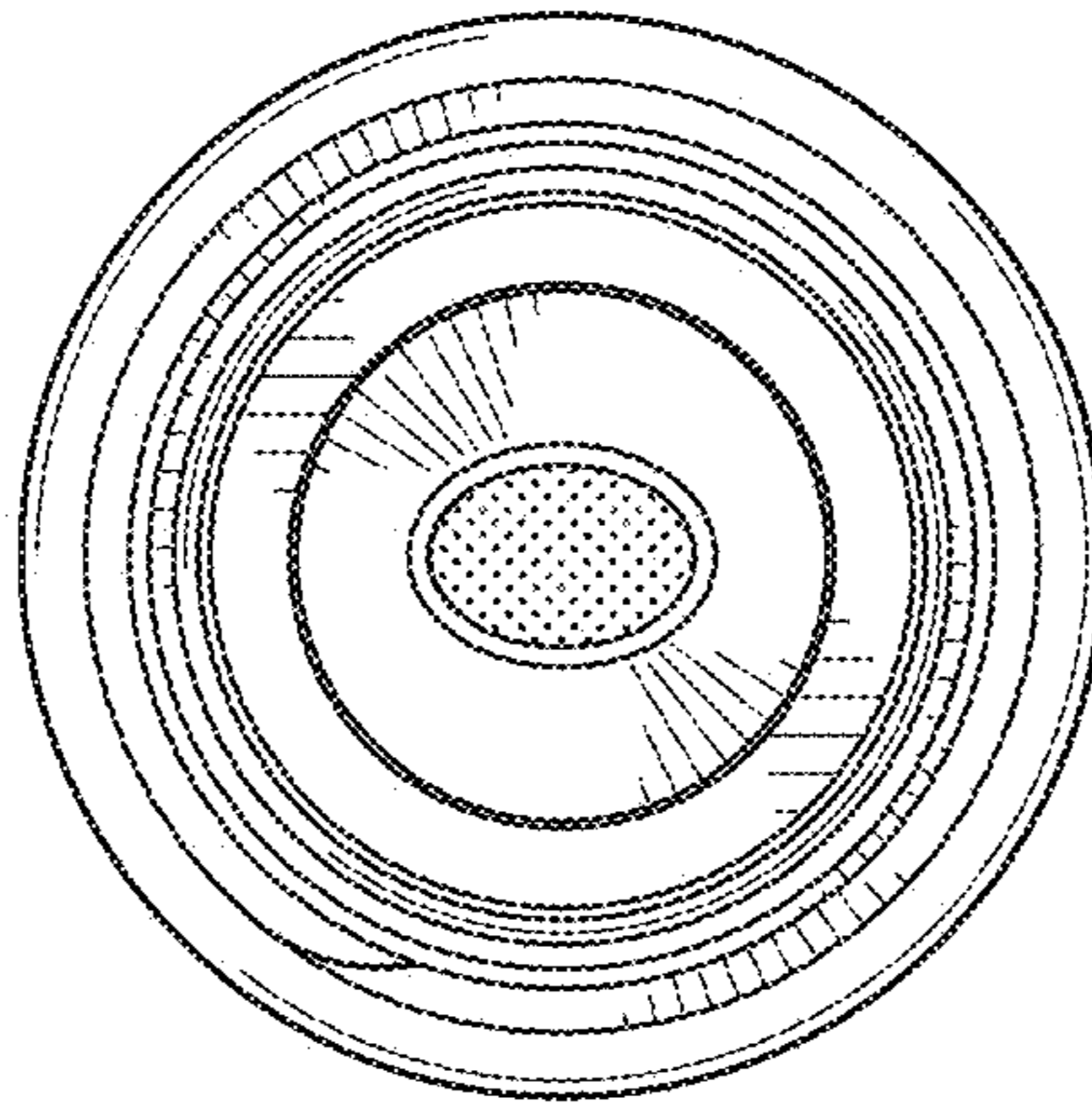


FIG.19

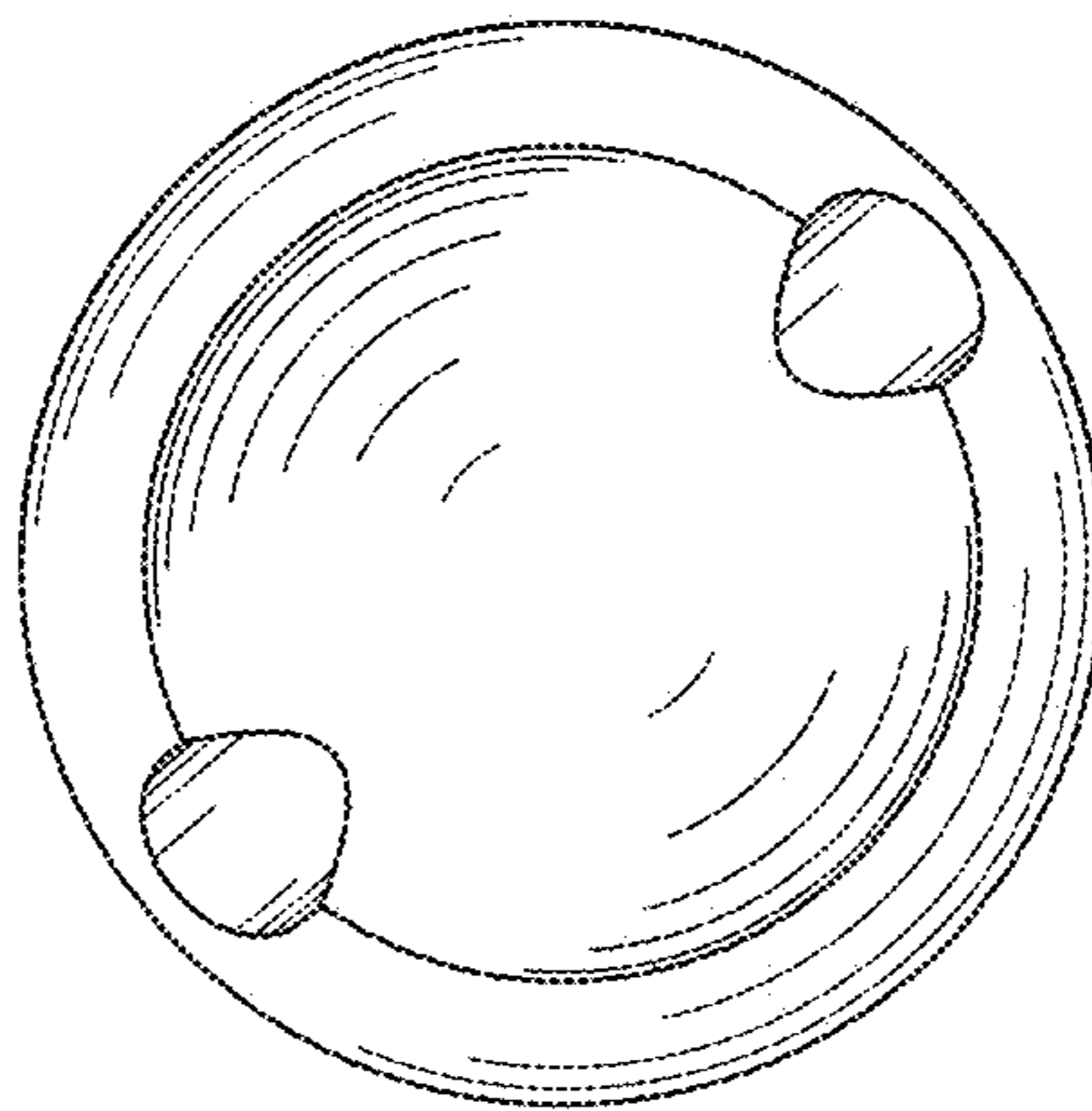


FIG.20

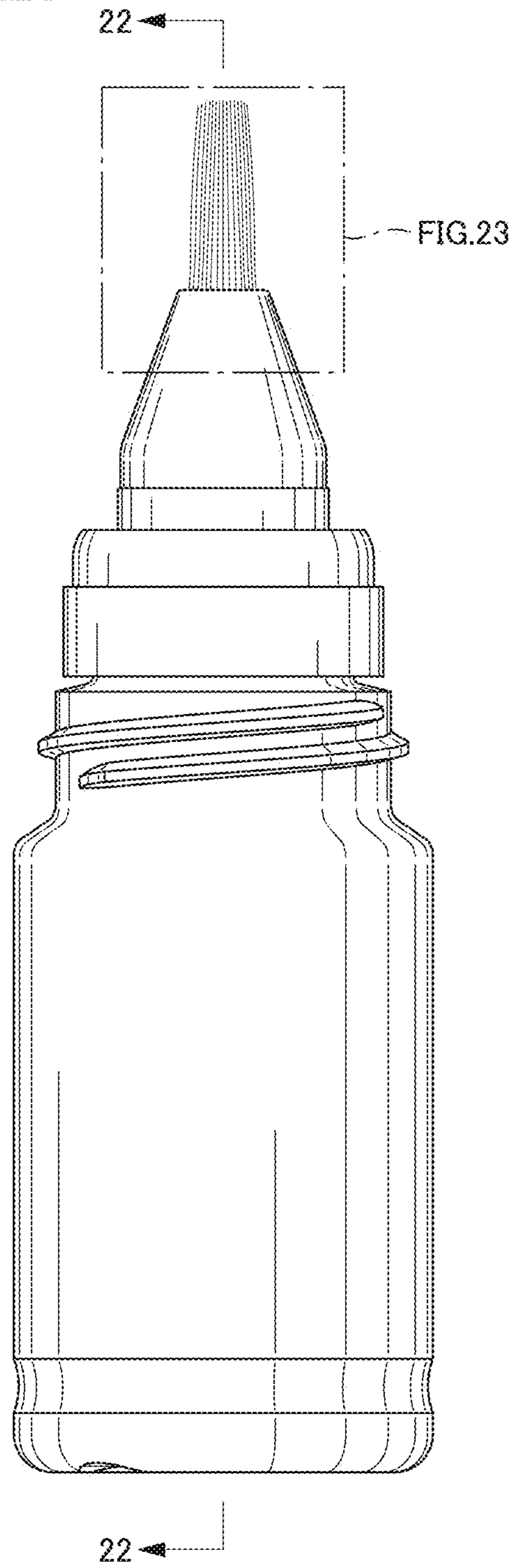


FIG.21

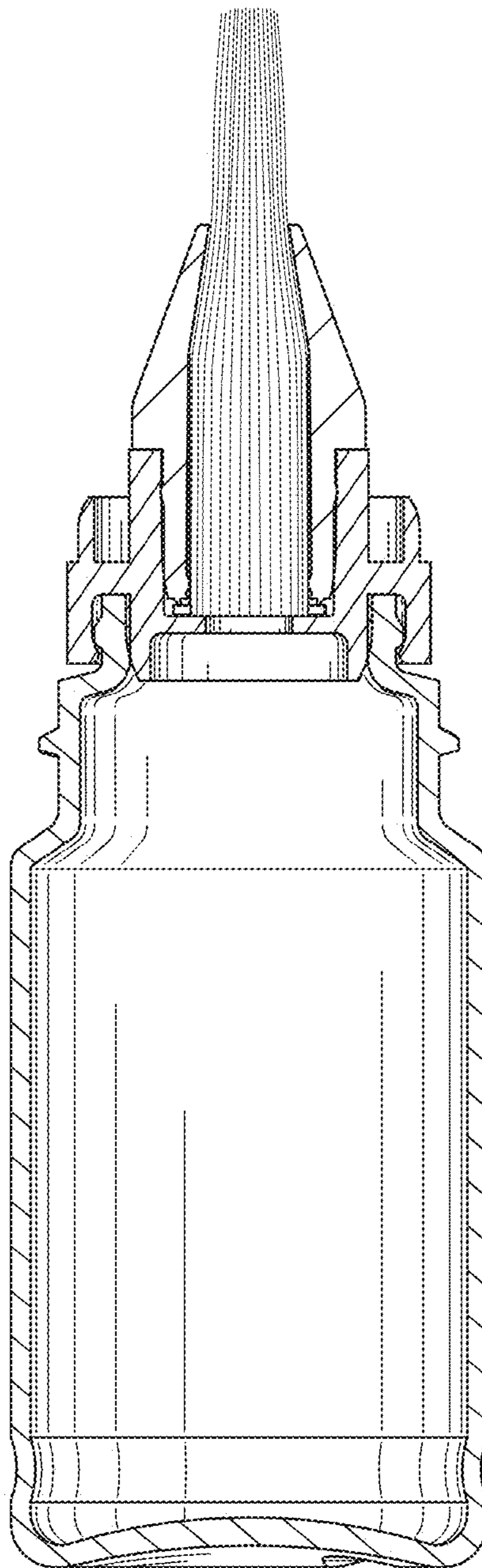


FIG.22

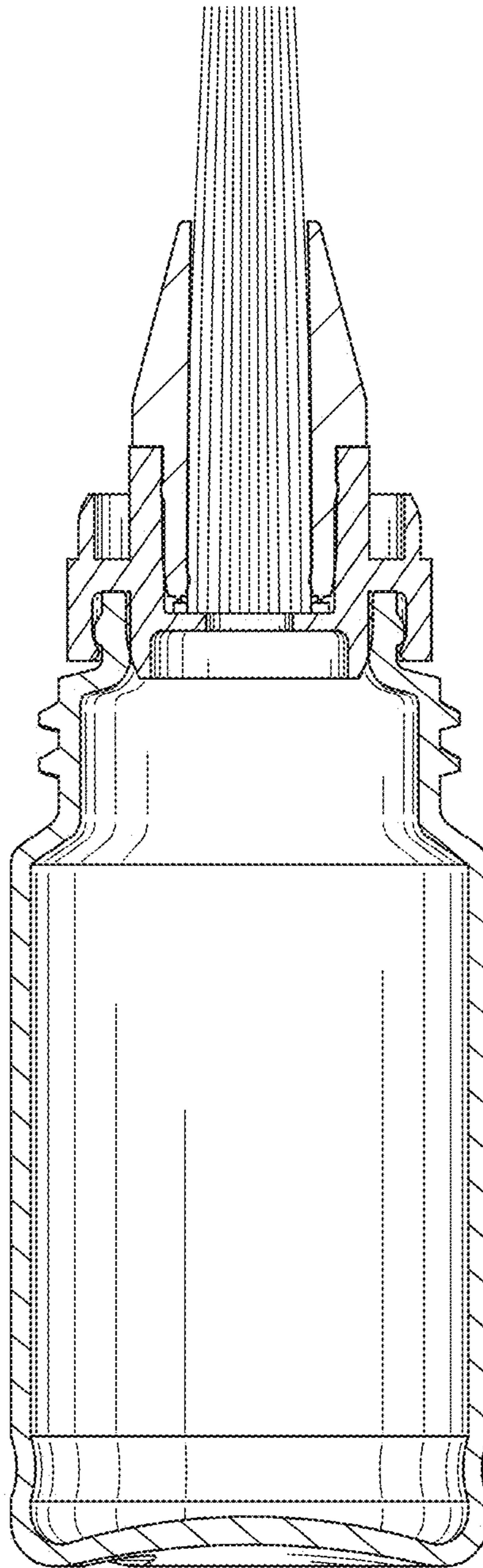


FIG.23

