



US00D906129S

(12) **United States Design Patent**
Pomeranz et al.

(10) **Patent No.:** **US D906,129 S**

(45) **Date of Patent:** **** Dec. 29, 2020**

(54) **PLASTIC DUNNAGE BAG**

B65D 81/00; B65D 81/02; B65D 47/00;
B65D 47/02; B65D 47/04; B65D 47/06

(71) Applicants: **Douglas Pomeranz**, Carlsbad, CA
(US); **Samuel Fontenot**, El Dorado
Hills, CA (US)

See application file for complete search history.

(72) Inventors: **Douglas Pomeranz**, Carlsbad, CA
(US); **Samuel Fontenot**, El Dorado
Hills, CA (US)

(56) **References Cited**

U.S. PATENT DOCUMENTS

D236,807	S	*	9/1975	Schmit	D9/708
D598,783	S	*	8/2009	Berman	D9/708
D752,993	S	*	4/2016	Halverson, III	D9/702
D762,015	S	*	7/2016	Pietrocarlo	D30/121

(**) Term: **15 Years**

* cited by examiner

(21) Appl. No.: **29/698,235**

Primary Examiner — Abraham Bahta

(22) Filed: **Jul. 15, 2019**

(74) *Attorney, Agent, or Firm* — Quickpatents, LLC;
Kevin Prince

(51) **LOC (12) Cl.** **09-05**

(52) **U.S. Cl.**

(57) **CLAIM**

USPC **D9/708**

The ornamental design for a plastic dunnage bag, as shown
and described.

(58) **Field of Classification Search**

DESCRIPTION

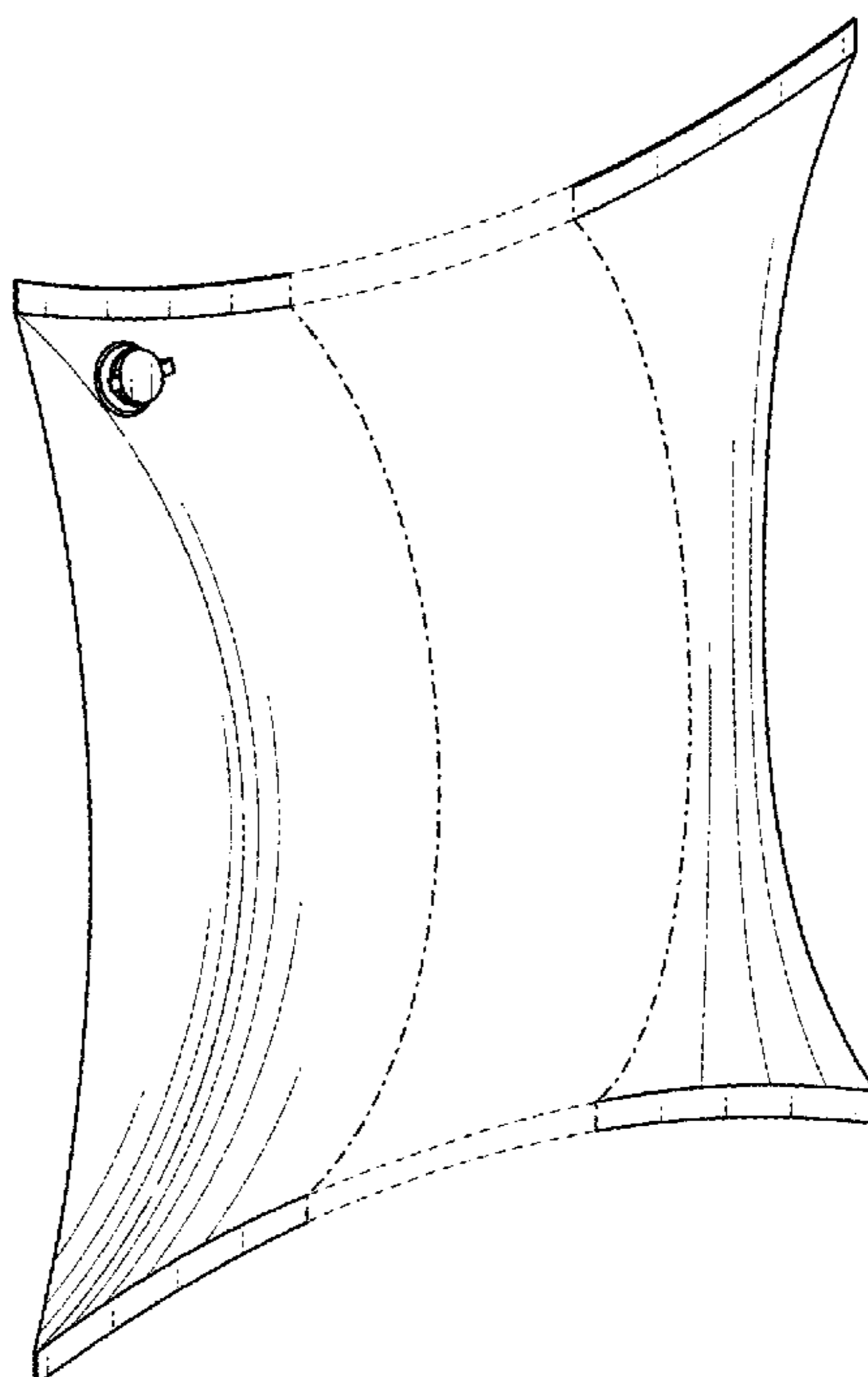
USPC D9/702–714, 429–432, 447, 720, 414,
D9/434–435, 696, 716, 771, 522,
D9/571–575, 682, 738–747, 516–517,
D9/529–530, 547–549, 569, 537–538,
D9/544, 503–505, 545; 383/6, 9, 22, 96,
383/61.1, 80–81, 104, 901, 63, 203, 107,
383/119, 120, 123; D24/118, 207;
222/92, 107, 206; 604/316, 403, 410,
604/408; 220/495.03, 669, 675;
215/381–385, 12.1; D3/202, 303, 232,
D3/244

FIG. 1 is a perspective view of a plastic dunnage bag,
showing our new design;
FIG. 2 is a front elevational view thereof;
FIG. 3 is a rear elevational view thereof;
FIG. 4 is a left-side elevational view thereof;
FIG. 5 is a right-side elevational view thereof;
FIG. 6 is a top plan view thereof; and,
FIG. 7 is a bottom plan view thereof.

CPC B65D 1/00; B65D 1/0223; B65D 1/24;
B65D 1/38; B65D 1/02; B65D 11/00;
B65D 11/02; B65D 11/04; B65D 11/10;
B65D 11/14; B65D 11/20; B65D 29/00;
B65D 29/02; B65D 29/04; B65D 33/00;
B65D 33/02; B65D 41/00; B65D 41/02;

The dash-dash broken line showing of portions of the plastic
dunnage bag is included for the purpose of illustrating
environmental structure and forms no part of the claimed
design.

1 Claim, 3 Drawing Sheets



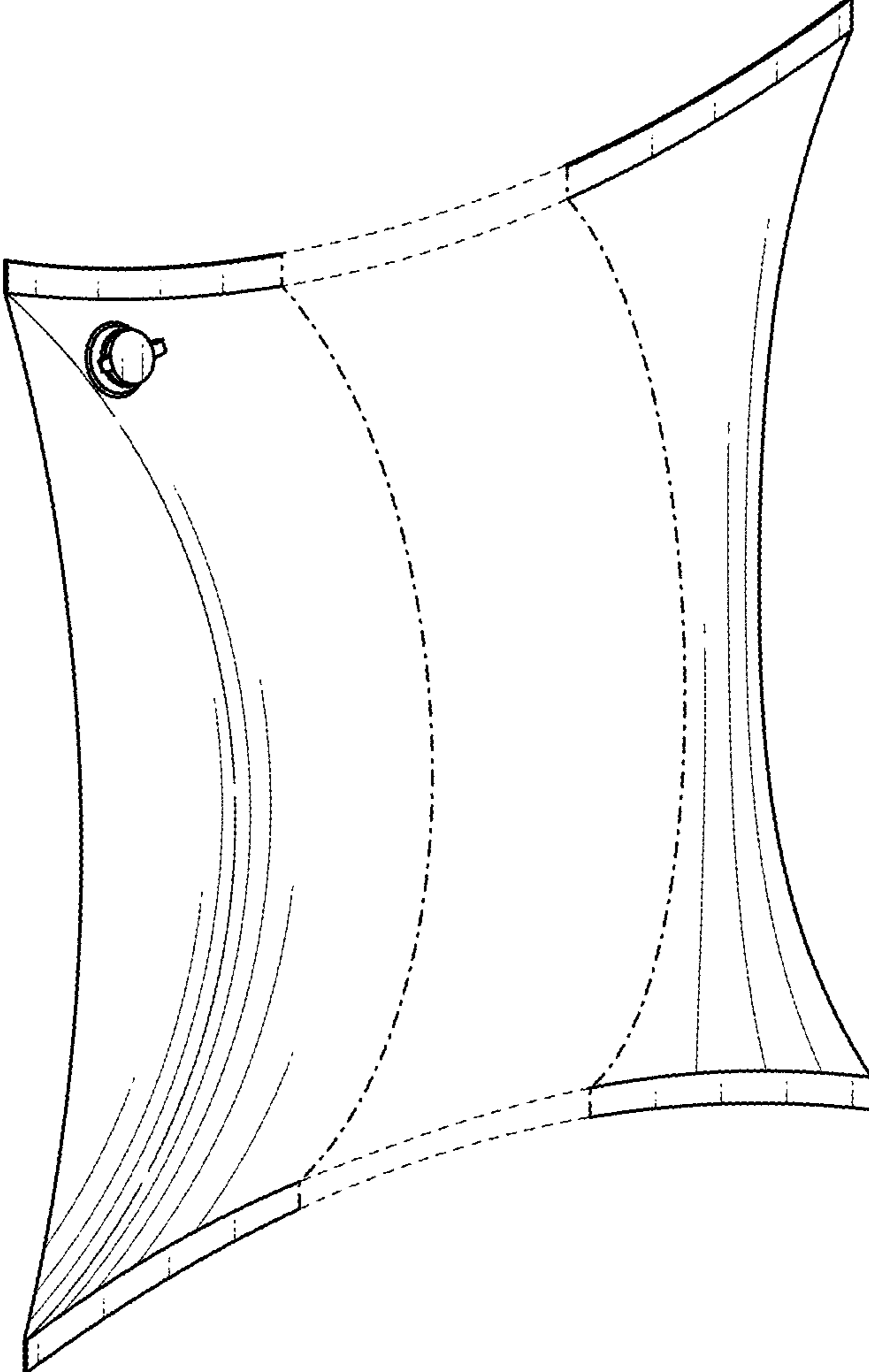


FIG. 1

FIG. 2

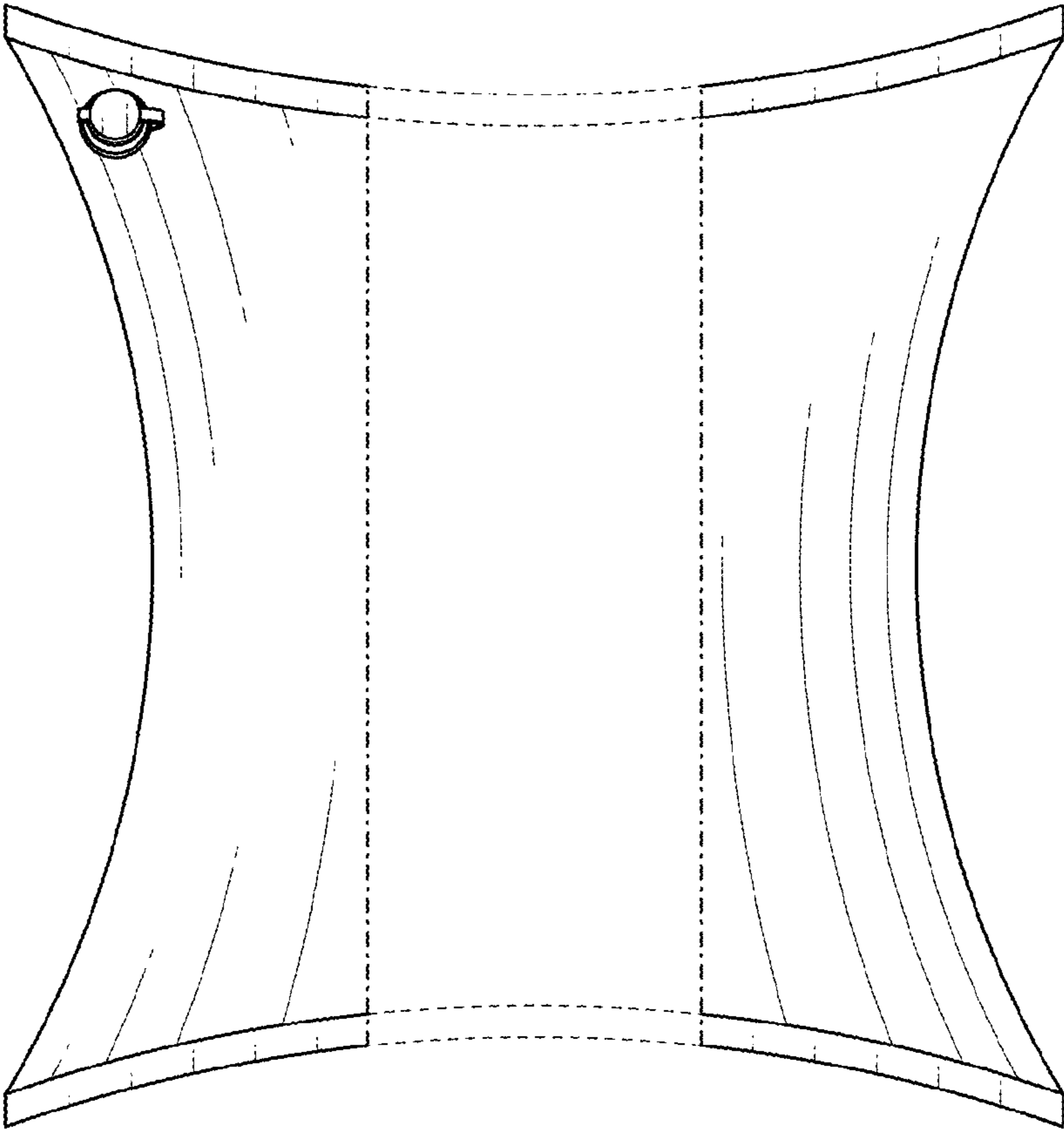
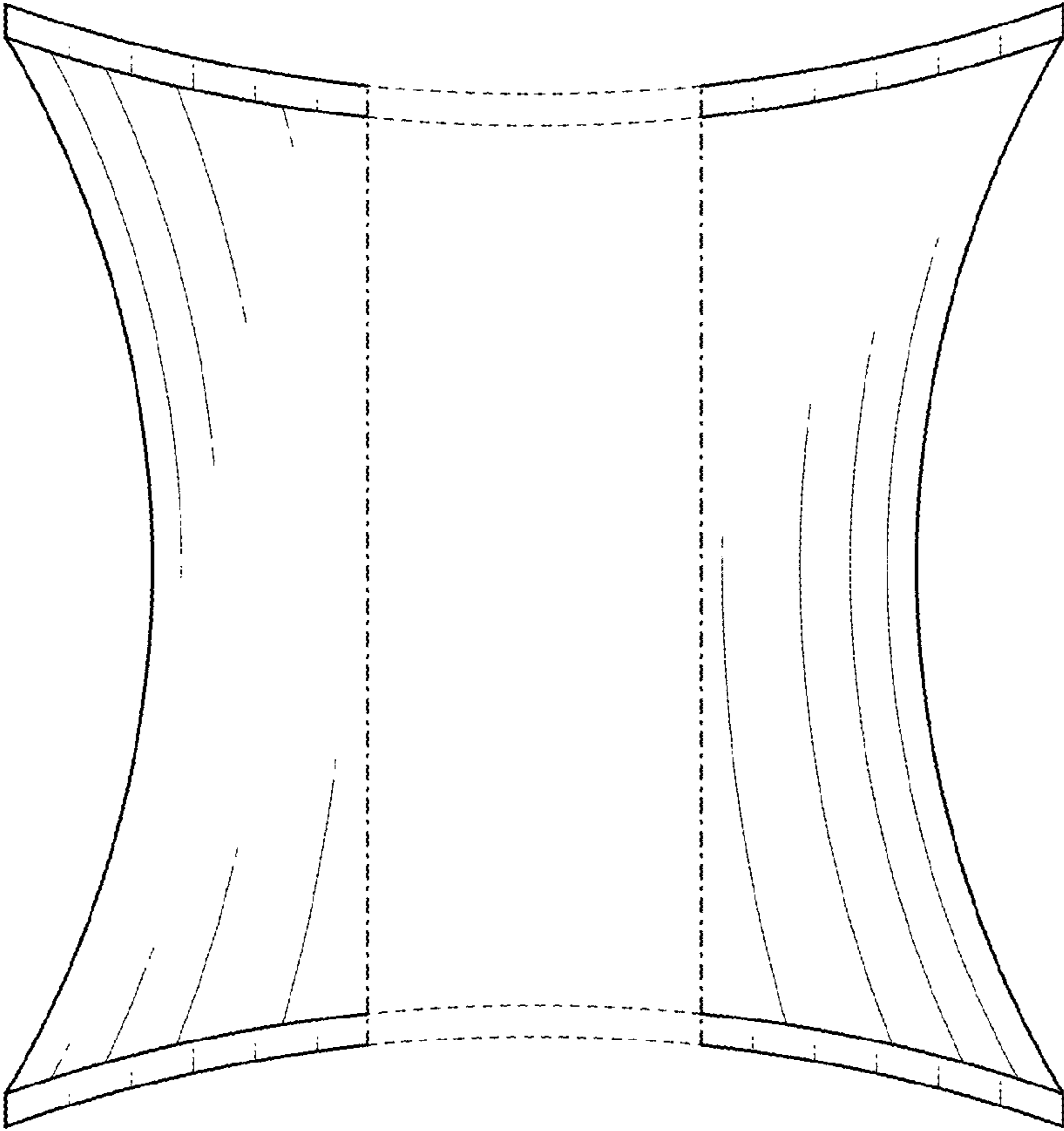


FIG. 3



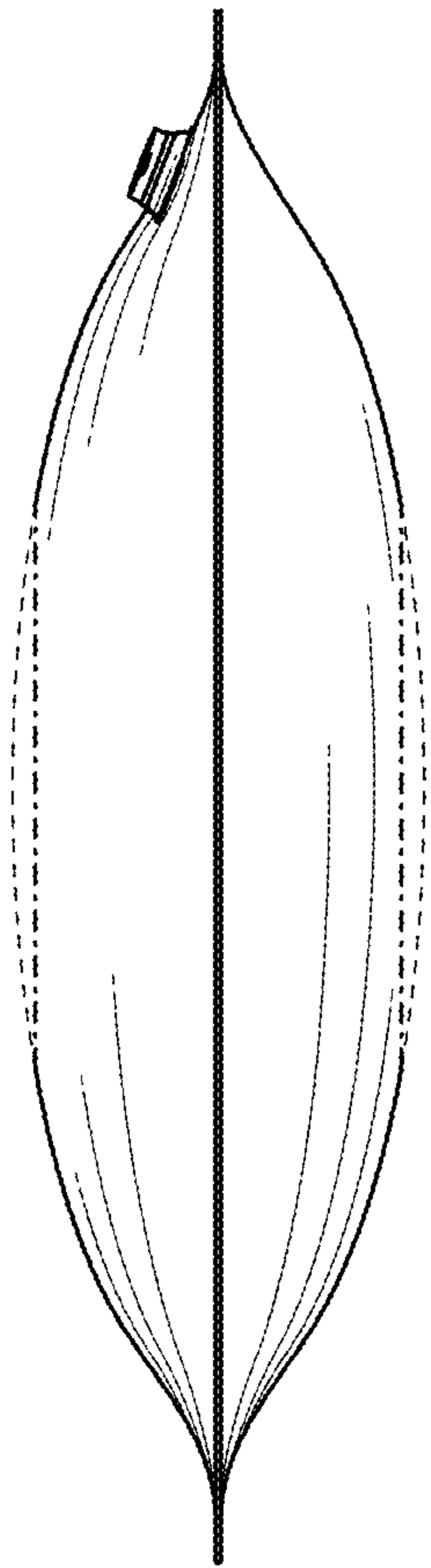


FIG. 4

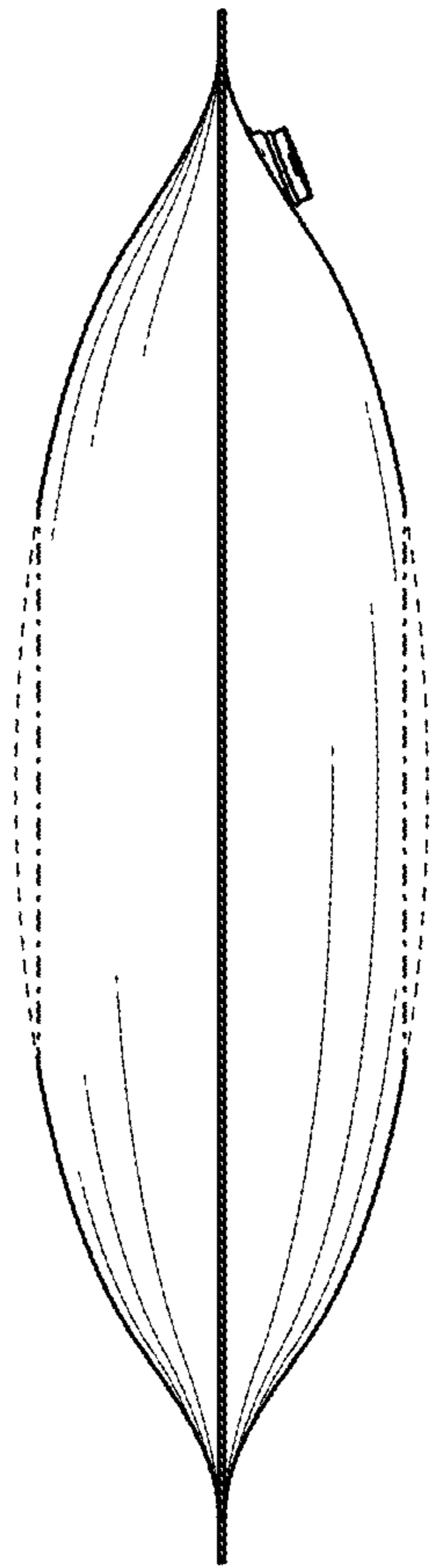


FIG. 5

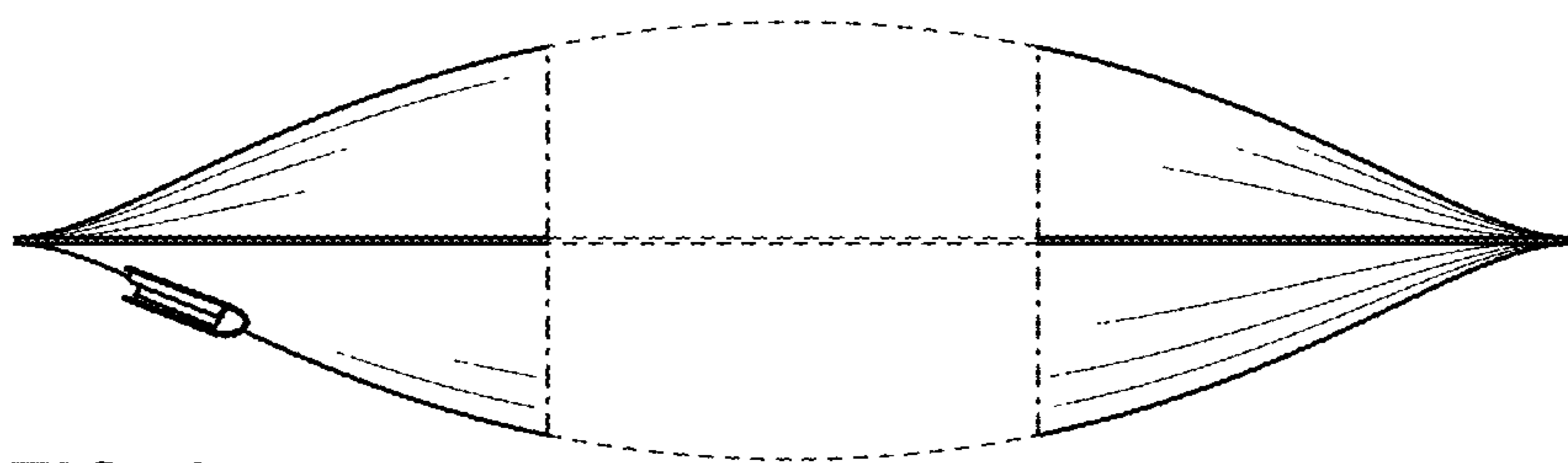


FIG. 6

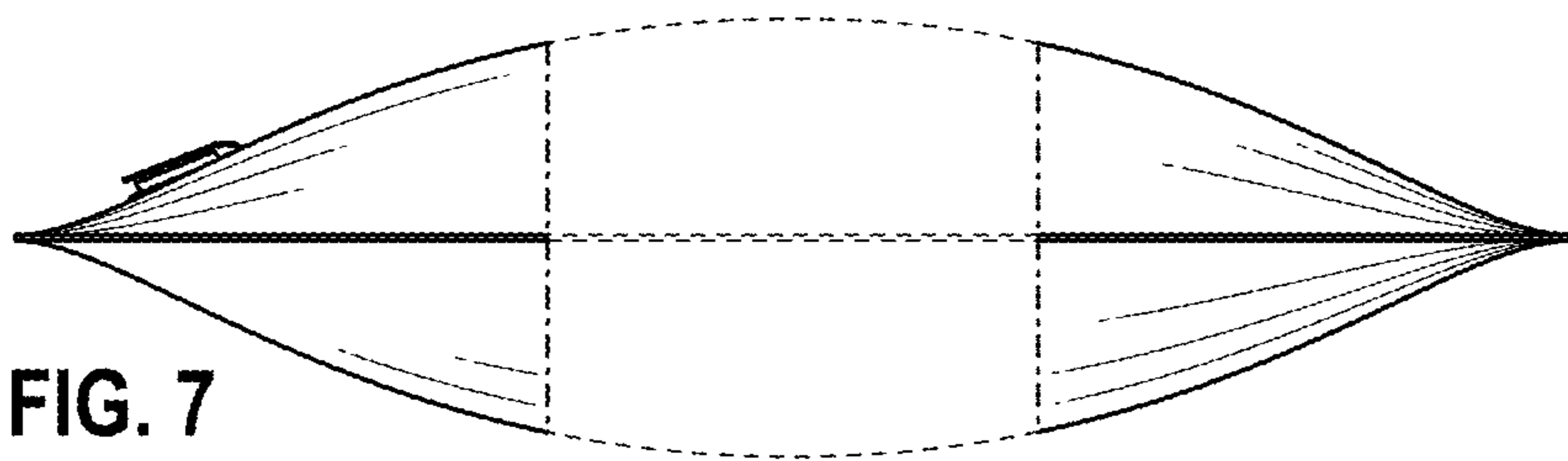


FIG. 7