



US00D906128S

(12) **United States Design Patent** (10) **Patent No.:** **US D906,128 S**  
**Agha** (45) **Date of Patent:** **\*\* Dec. 29, 2020**

(54) **POUCH FOR CONTAINING A BEVERAGE**  
(71) Applicant: **Real Drinks Company Limited**, Lagos (NG)  
(72) Inventor: **Zamy Agha**, Lagos (NG)  
(73) Assignee: **Real Drinks Company Limited**, Lagos (NG)  
(\*\*) Term: **15 Years**  
(21) Appl. No.: **29/692,824**  
(22) Filed: **May 29, 2019**

(30) **Foreign Application Priority Data**  
Nov. 29, 2018 (GB) ..... 6049048  
Nov. 29, 2018 (GB) ..... 6049049  
(51) **LOC (12) Cl.** ..... **09-05**  
(52) **U.S. Cl.**  
USPC ..... **D9/707**  
(58) **Field of Classification Search**  
USPC ..... D9/702-714, 443, 447, 499, 516-517, D9/523-524, 526-528, 530, 719, 572; 222/92, 210, 212, 215; D23/211.1, 212; 220/200, 260, 288, 768, 901; 206/815; 215/200, 217-218, 382-385, 396, 371; D7/312, 321; 383/61.1, 80-81, 104, 901, 383/8, 109, 111, 122, 127, 207, 94, 107; 428/35.2; 229/87.01-87.09, 87.11-87.19  
CPC . B65D 1/00; B65D 1/02; B65D 1/023; B65D 1/32; B65D 11/00; B65D 11/04; B65D 35/08; B65D 35/00; B65D 33/02; B65D 33/04; B65D 33/24; A61J 1/10; A61J 1/47; A61J 9/001

See application file for complete search history.

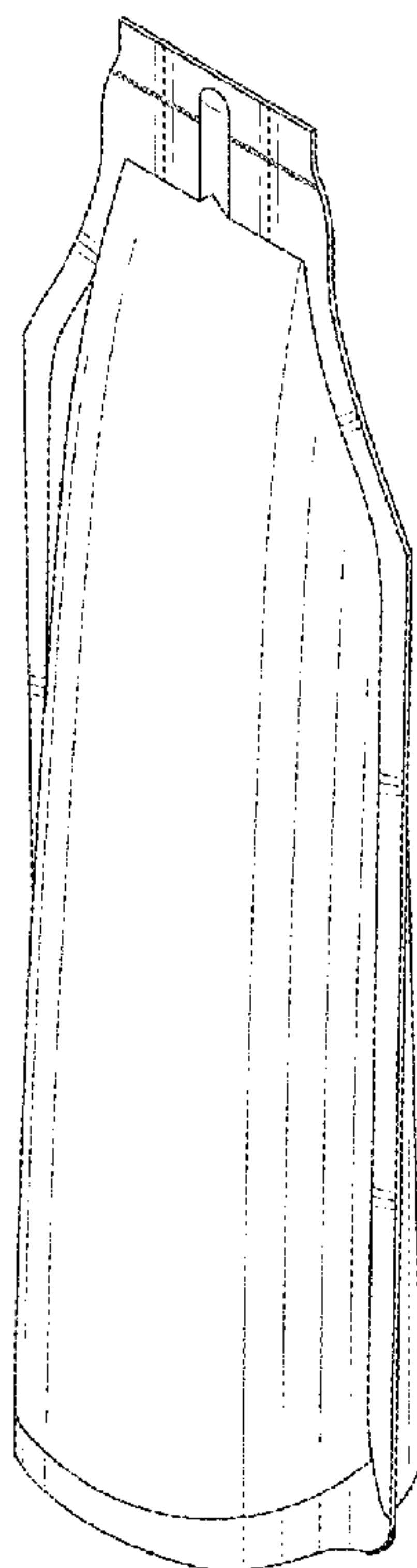
(56) **References Cited**  
U.S. PATENT DOCUMENTS  
D318,795 S \* 8/1991 Christine ..... D9/696  
D658,506 S \* 5/2012 Berman ..... D9/707  
D662,833 S \* 7/2012 Sanfilippo ..... D9/707  
D744,352 S \* 12/2015 Quarles ..... D9/707  
D807,760 S \* 1/2018 Fetisenkov ..... D9/707  
D821,868 S \* 7/2018 Fetisenkov ..... D9/424  
D859,178 S \* 9/2019 Mahin ..... D9/708

\* cited by examiner  
*Primary Examiner* — Abraham Bahta  
(74) *Attorney, Agent, or Firm* — Michael Soderman

(57) **CLAIM**  
The ornamental design for a pouch for containing a beverage, as shown and described.

**DESCRIPTION**  
FIG. 1 is a front-top and right-side perspective view of the pouch for containing a beverage showing our new design; FIG. 2 is a front view thereof; FIG. 3 is a back view thereof; FIG. 4 is a right-side view thereof; FIG. 5 is a left-side view thereof; FIG. 6 is a top view thereof; and, FIG. 7 is a bottom view thereof.

**1 Claim, 7 Drawing Sheets**



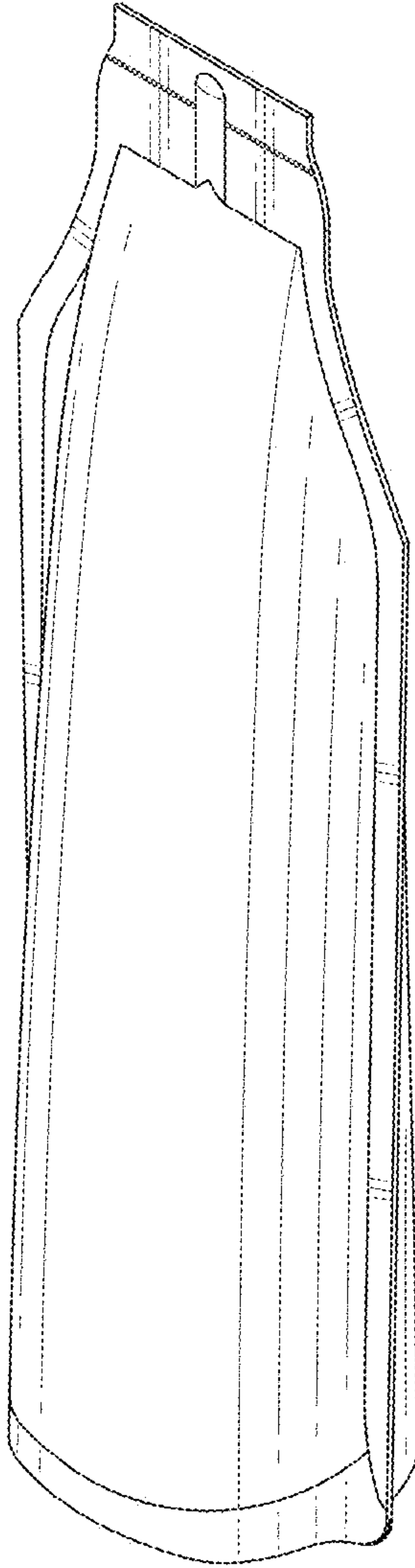


FIG. 1

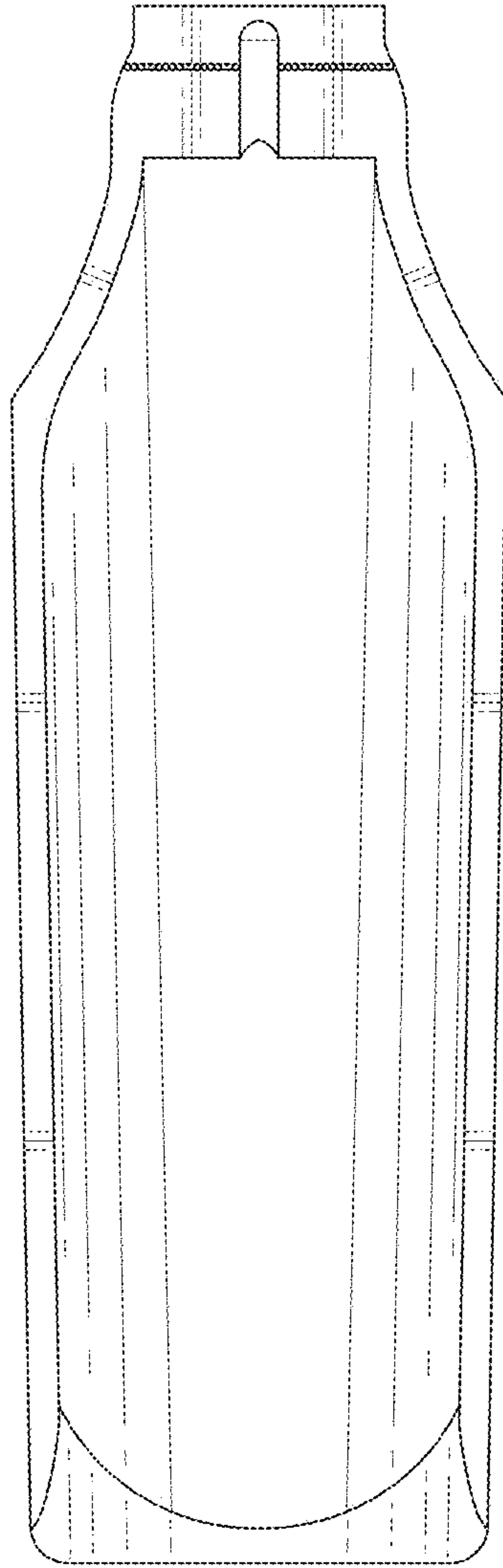


FIG. 2

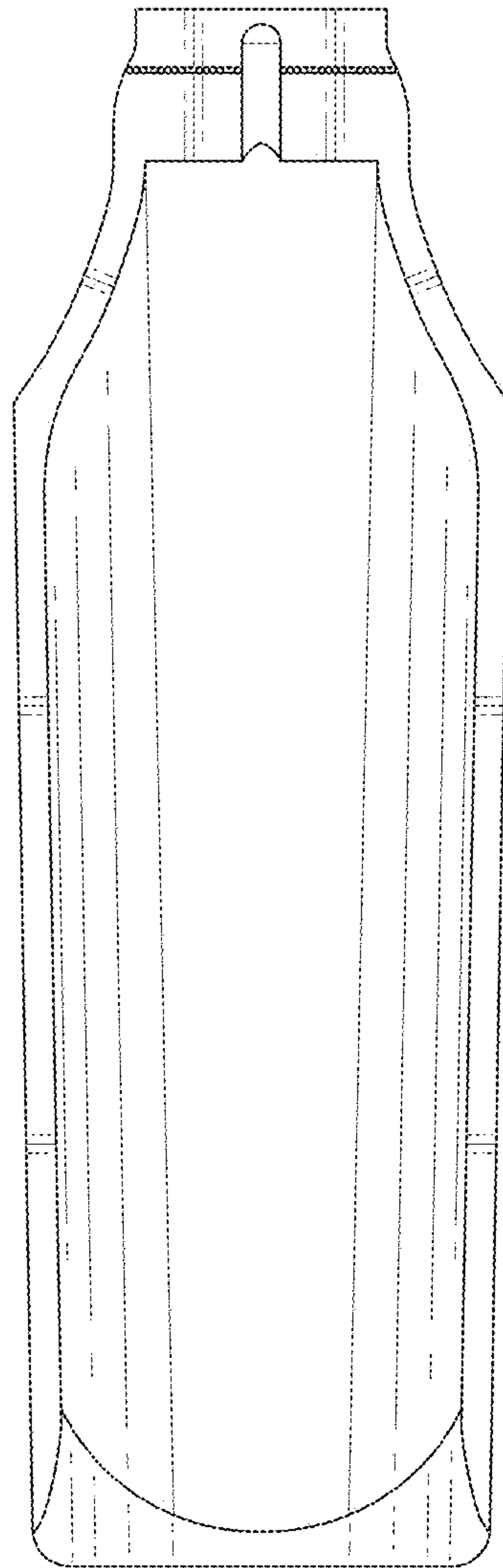


FIG. 3

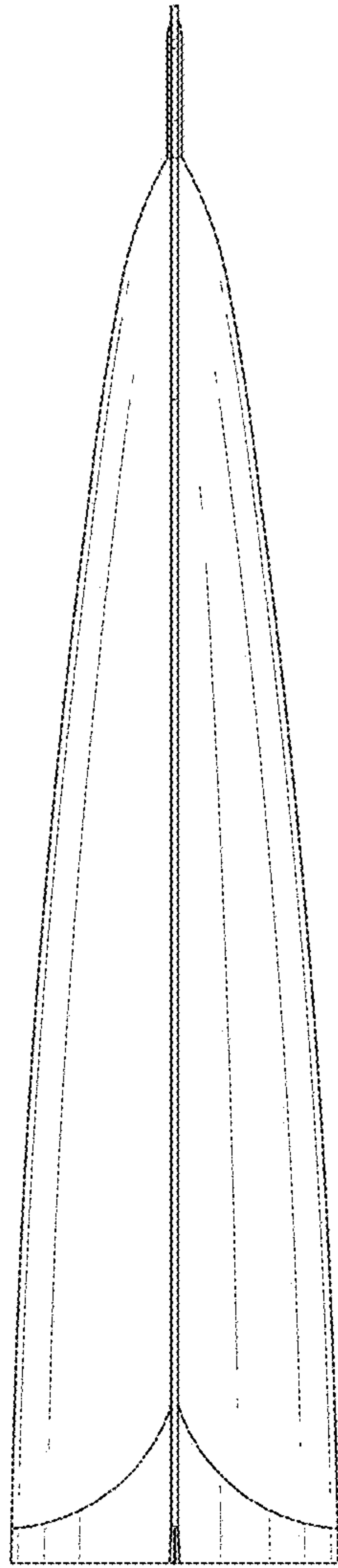


FIG. 4

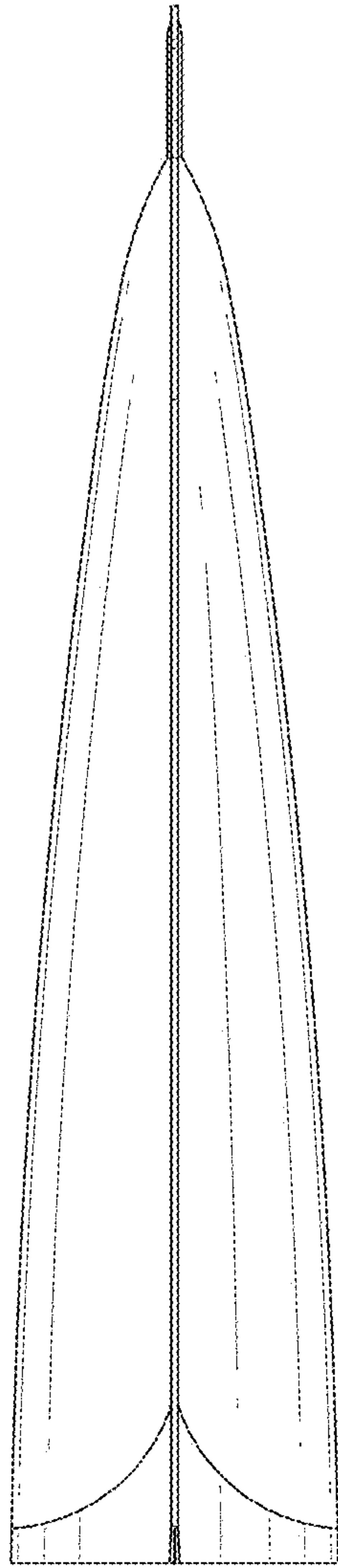


FIG. 5

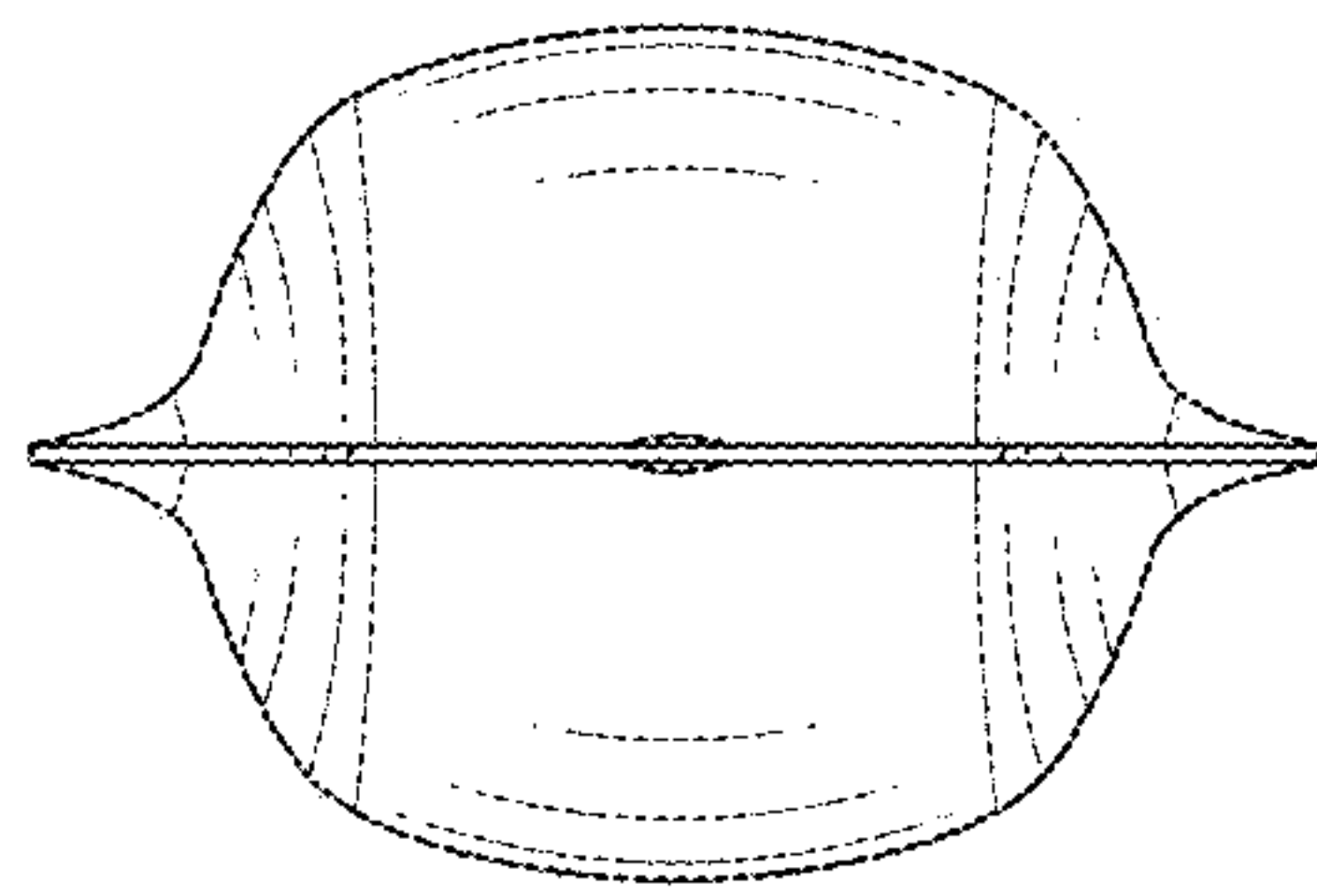


FIG. 6

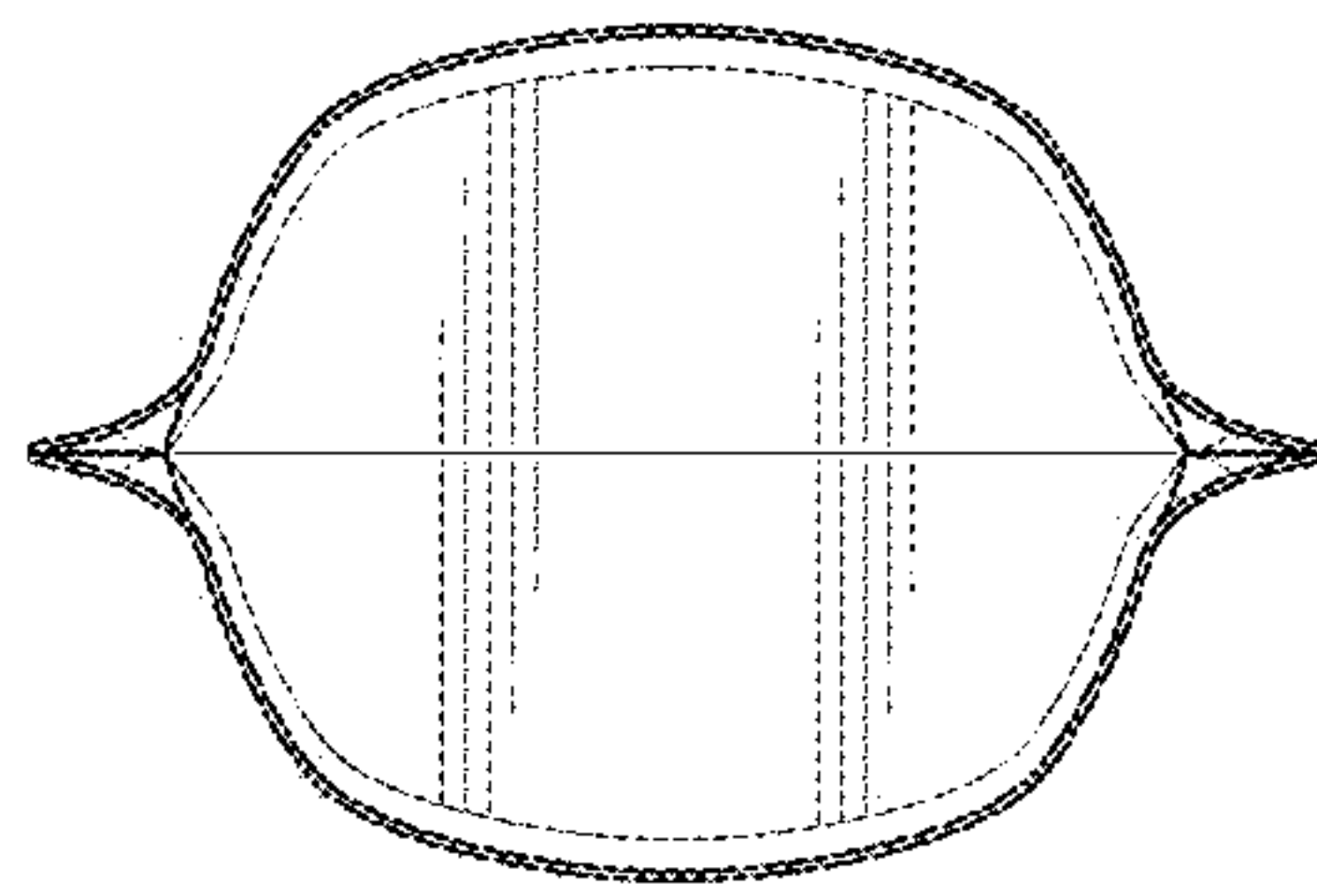


FIG. 7