



US00D906118S

(12) **United States Design Patent** (10) **Patent No.:** **US D906,118 S**
Olarte (45) **Date of Patent:** **** Dec. 29, 2020**

- (54) **NESTING CONTAINER**
- (71) Applicant: **Alvaro Mauricio Olarte**, Aventura, FL (US)
- (72) Inventor: **Alvaro Mauricio Olarte**, Aventura, FL (US)
- (73) Assignee: **Stackcan LLC**, Aventura, FL (US)
- (**) Term: **15 Years**
- (21) Appl. No.: **29/650,004**
- (22) Filed: **Jun. 4, 2018**

- D315,867 S 4/1991 Hestehave et al.
- D358,330 S 5/1995 Kahl
- D365,983 S 1/1996 Triassi et al.
- D426,162 S 6/2000 Olson
- D479,468 S * 9/2003 Dorn D9/531
- D506,137 S 6/2005 Durivage
- 6,932,228 B1 * 8/2005 Darr B65D 21/0202
206/509
- D514,940 S * 2/2006 Darr D9/523
- D517,413 S 3/2006 Murphy
- D520,367 S 5/2006 Morris
- D528,425 S * 9/2006 Van Dorin D9/524
- 7,182,214 B2 2/2007 Darr
- D577,589 S 9/2008 Brieuessel et al.
- D625,774 S 10/2010 Nirenberg
- D672,657 S * 12/2012 Hall D9/520

(Continued)

Related U.S. Application Data

- (62) Division of application No. 29/572,495, filed on Jul. 28, 2016, now Pat. No. Des. 821,880.
- (51) **LOC (12) Cl.** **09-01**
- (52) **U.S. Cl.**
USPC **D9/522**

- (58) **Field of Classification Search**
USPC D9/651, 658, 523–524, 528, 530–535,
D9/548, 549–550, 574, 575, 520, 522,
D9/526, 527, 553, 555, 556, 557,
D9/563–570, 742; 215/381–385;
220/660, 669, 679, 752; D23/211.1
CPC B65D 23/00; B65D 23/10; B65D 1/00;
B65D 1/02; B65D 21/00; B65D 21/02;
B65D 21/0201; B65D 21/0209; B65D
21/0233; B65D 21/0234; B65D 21/0237;
B65D 1/10; B65D 1/40; B65D 1/42;
B65D 11/04; B65D 2501/0081; B65D
2101/0053; B65D 1/0223

See application file for complete search history.

(56) **References Cited**

U.S. PATENT DOCUMENTS

- D258,866 S 4/1981 Houseman et al.
- 4,805,793 A * 2/1989 Brandt B65D 21/0231
206/509

Primary Examiner — Lilyana Bekic
Assistant Examiner — Mary Shannon Malley
 (74) *Attorney, Agent, or Firm* — St. Onge Steward
 Johnston & Reens, LLC

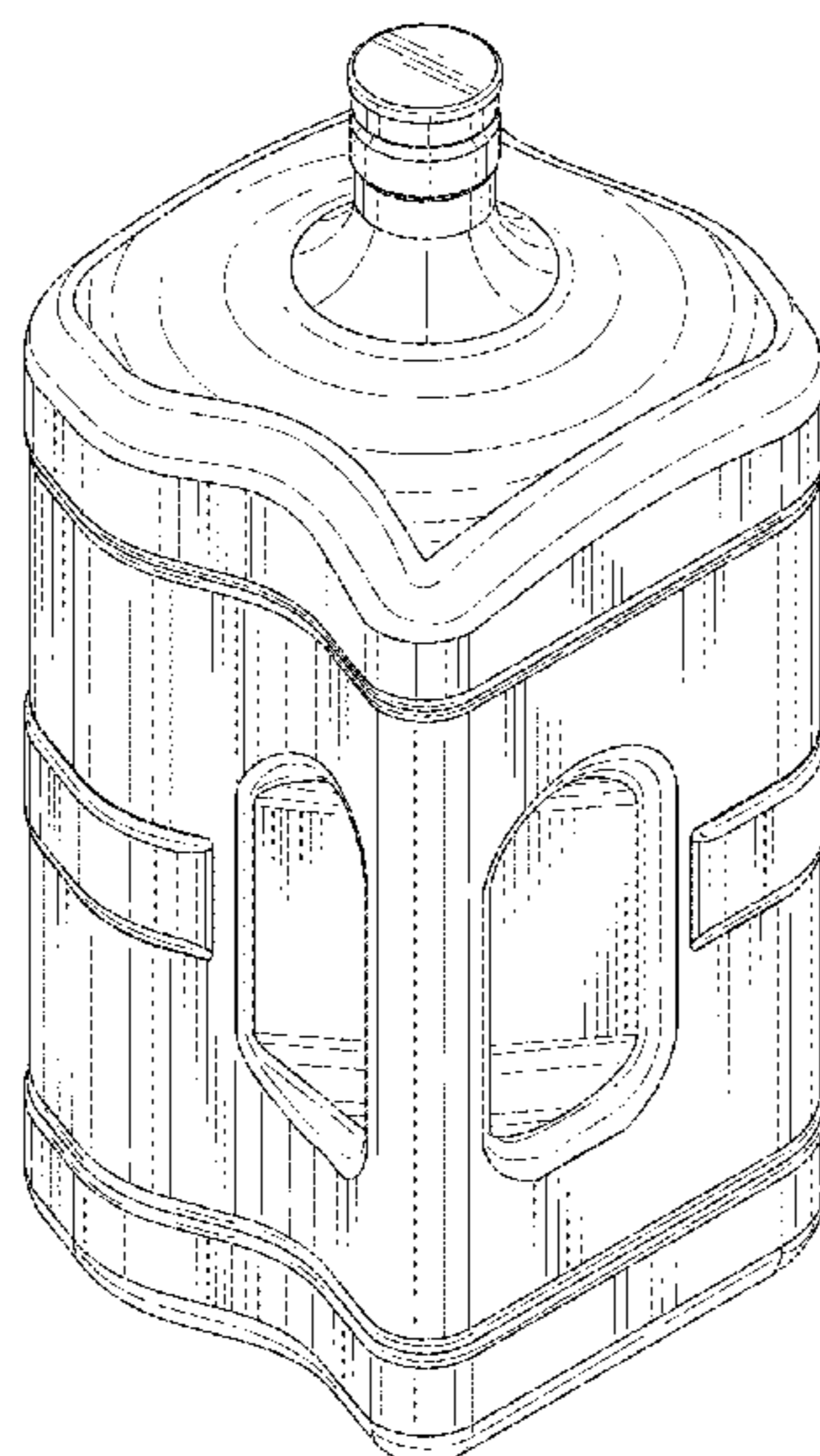
(57) **CLAIM**

The ornamental design for a nesting container, as shown and described.

DESCRIPTION

FIG. 1 is a front isometric view of a nesting container showing my new design;
 FIG. 2 is a front view thereof;
 FIG. 3 is a right side view thereof;
 FIG. 4 is a rear view view thereof;
 FIG. 5 is a left side view thereof;
 FIG. 6 is a top view thereof; and,
 FIG. 7 is a bottom view thereof.
 The broken lines shown in FIG. 7 are for the purpose of illustrating portions of the nesting container that from no part of the claimed design.

1 Claim, 6 Drawing Sheets



(56)

References Cited

U.S. PATENT DOCUMENTS

D690,203 S * 9/2013 Hall D9/533
D693,426 S 11/2013 Mehra et al.
D764,295 S * 8/2016 Gieske D9/527
D781,107 S * 3/2017 Welsch D7/536
D810,573 S * 2/2018 Vazin D9/531
10,518,933 B2 * 12/2019 Dorn B65D 21/0231
2002/0166857 A1 11/2002 Schwaikert
2005/0051575 A1 3/2005 Durivage
2006/0037930 A1 2/2006 Darr et al.

* cited by examiner

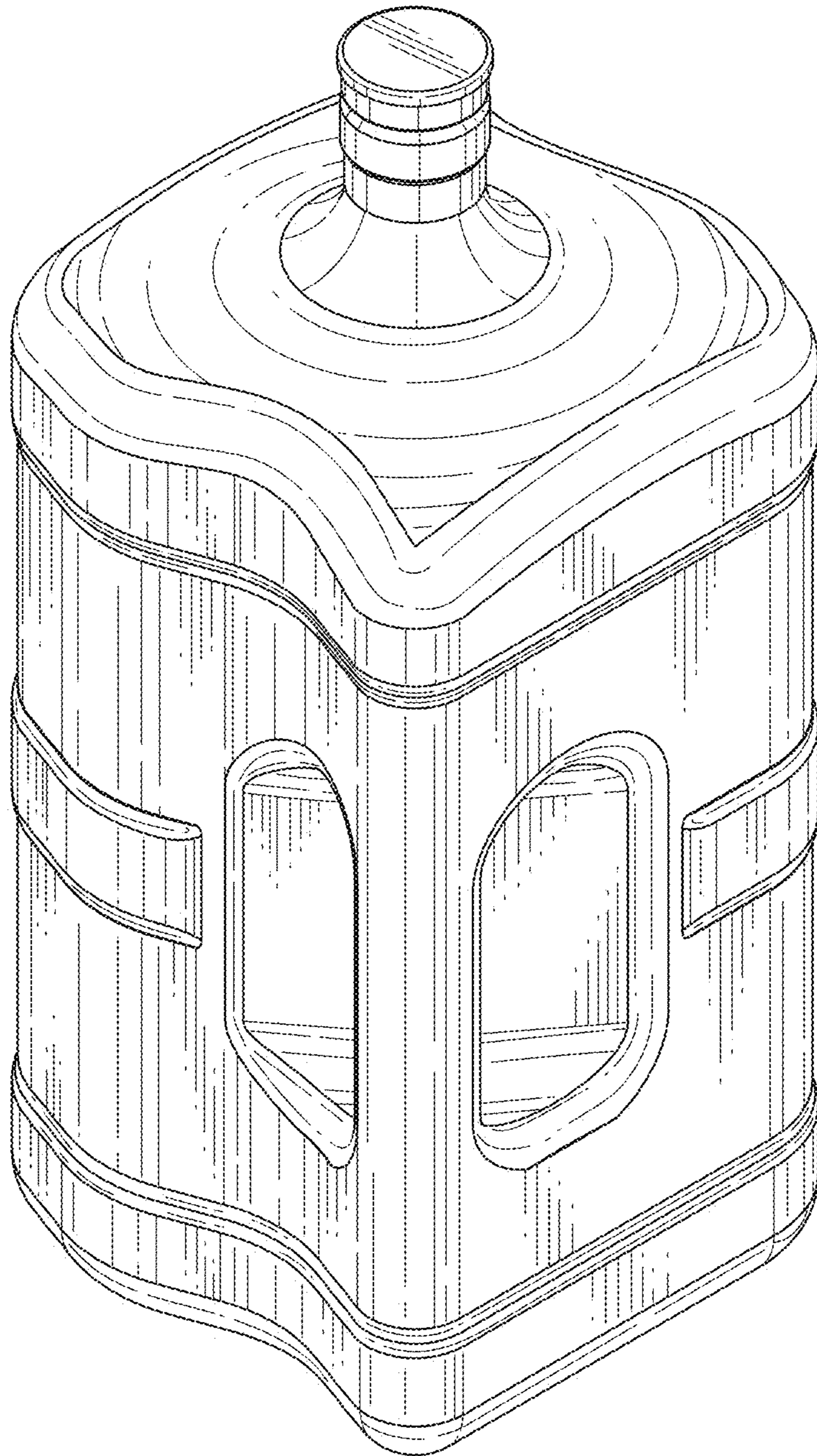


FIG. 1

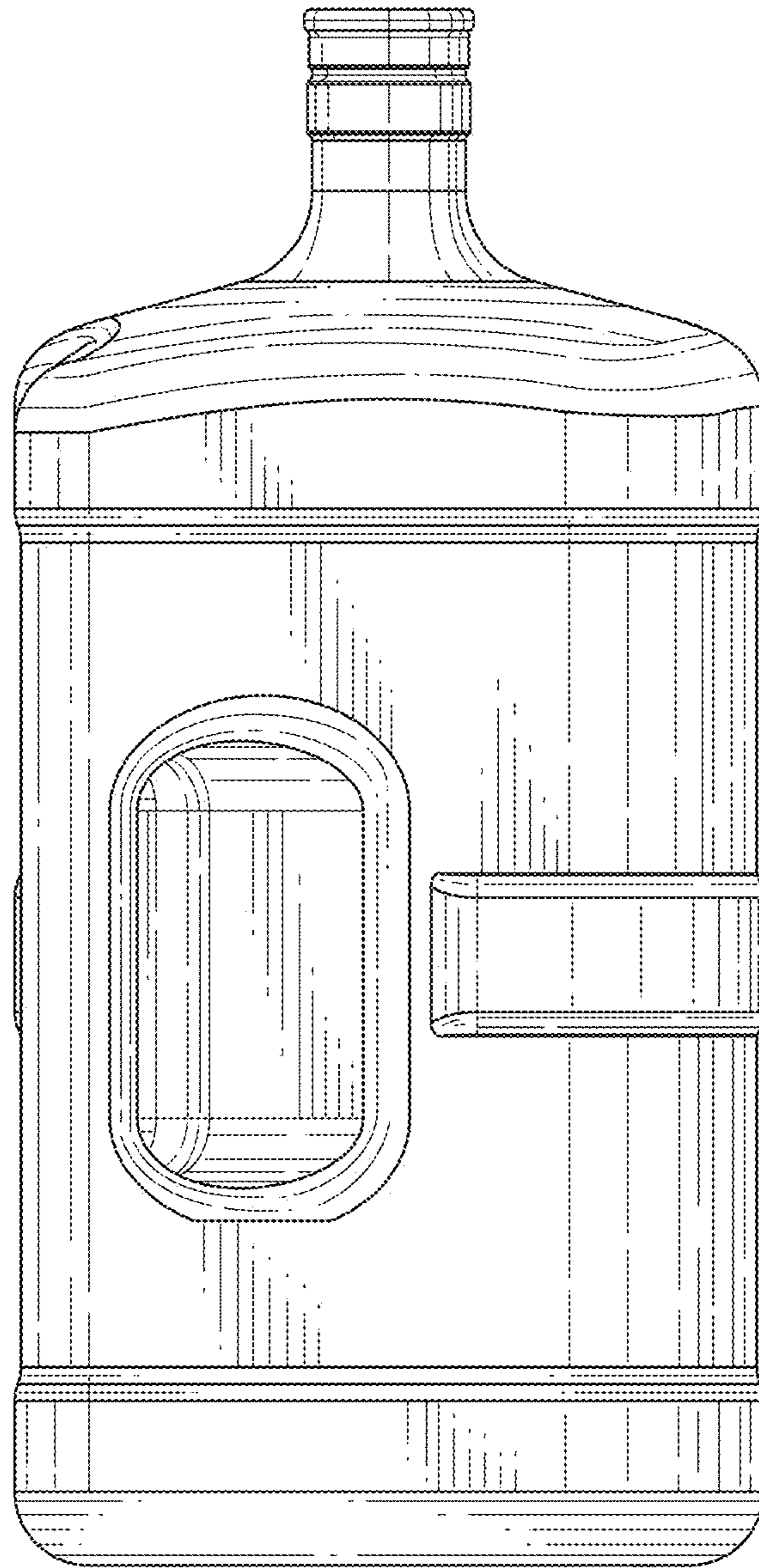


FIG. 2

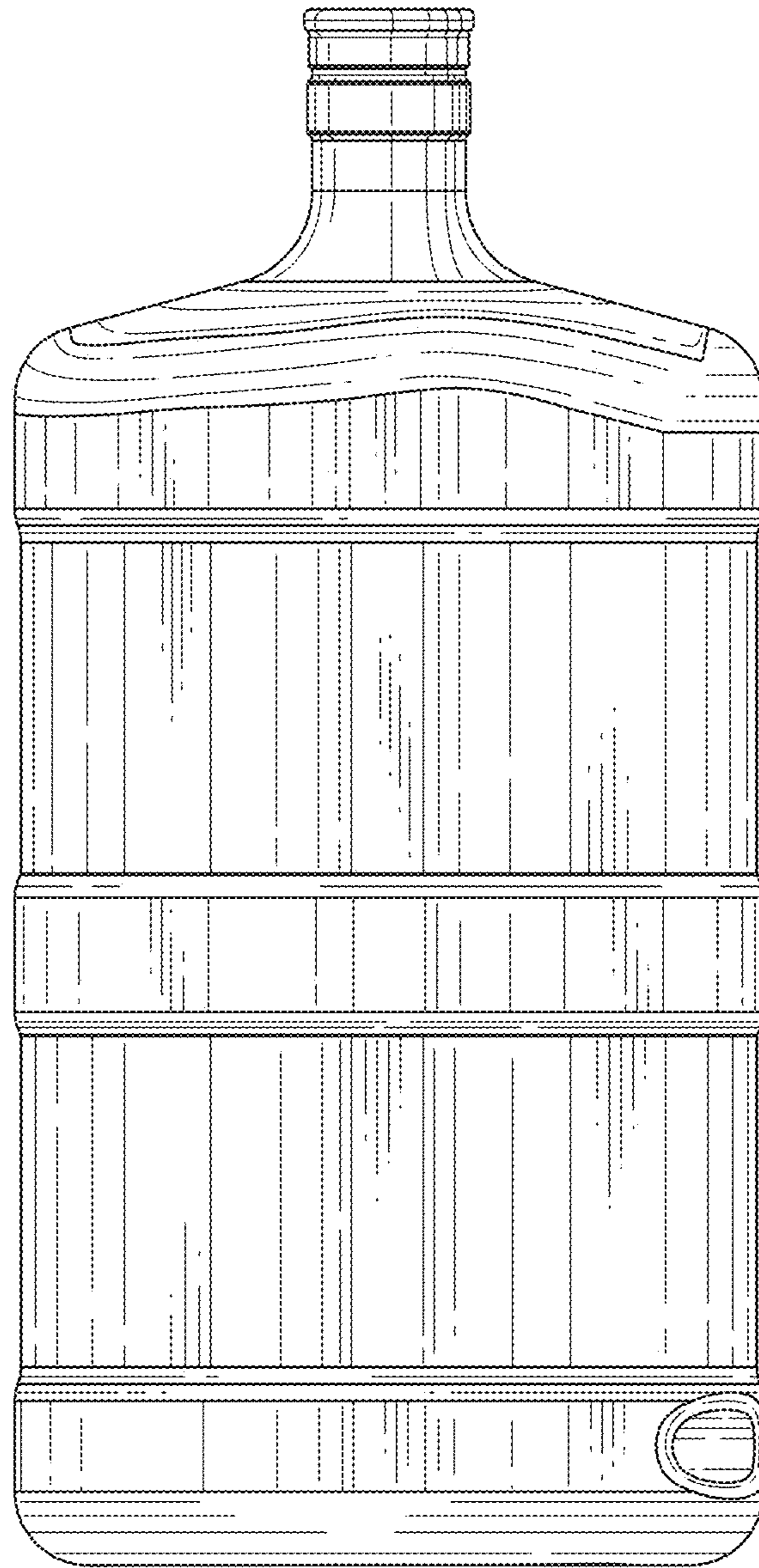


FIG. 3

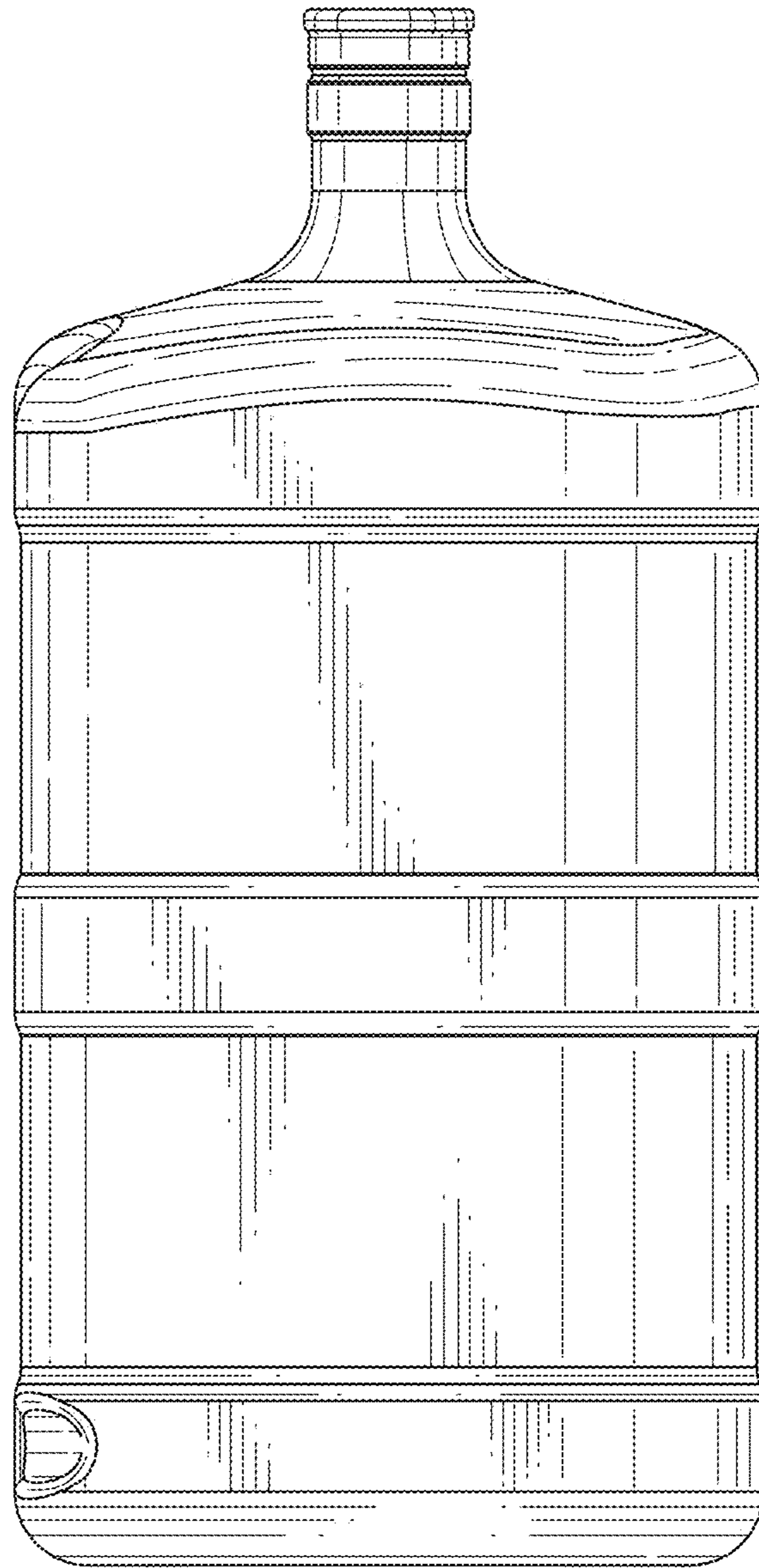


FIG. 4

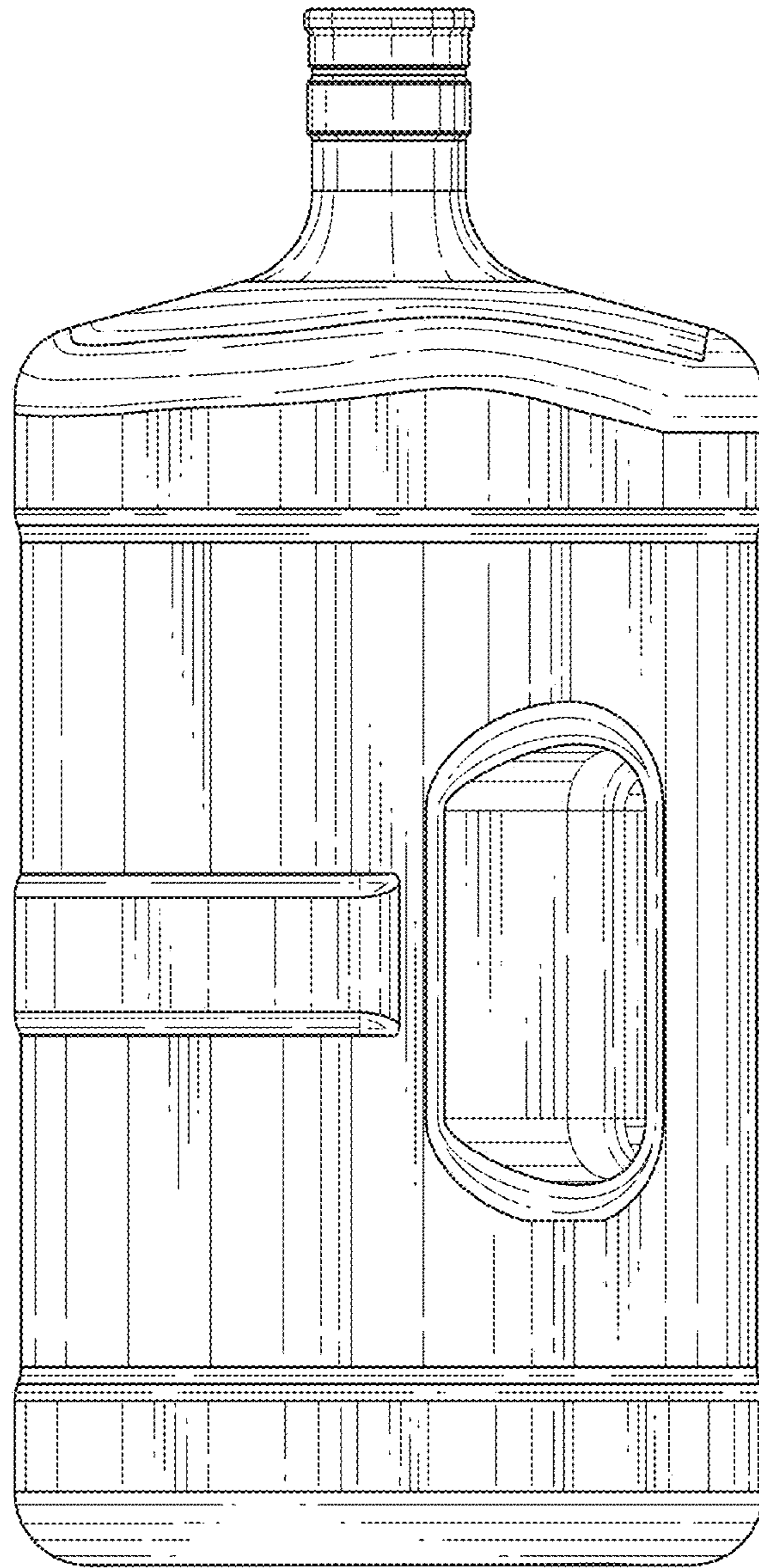


FIG. 5

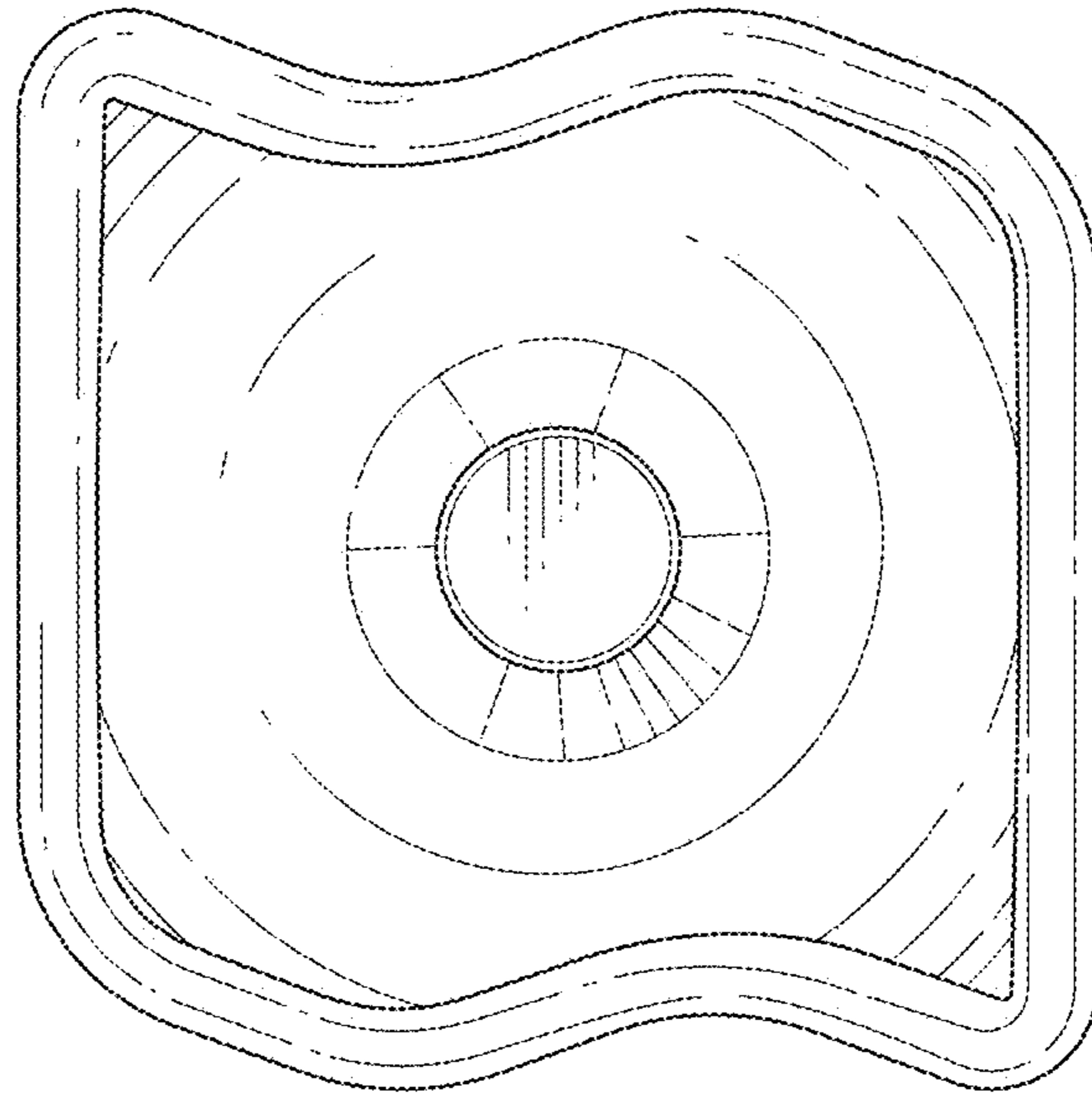


FIG. 6

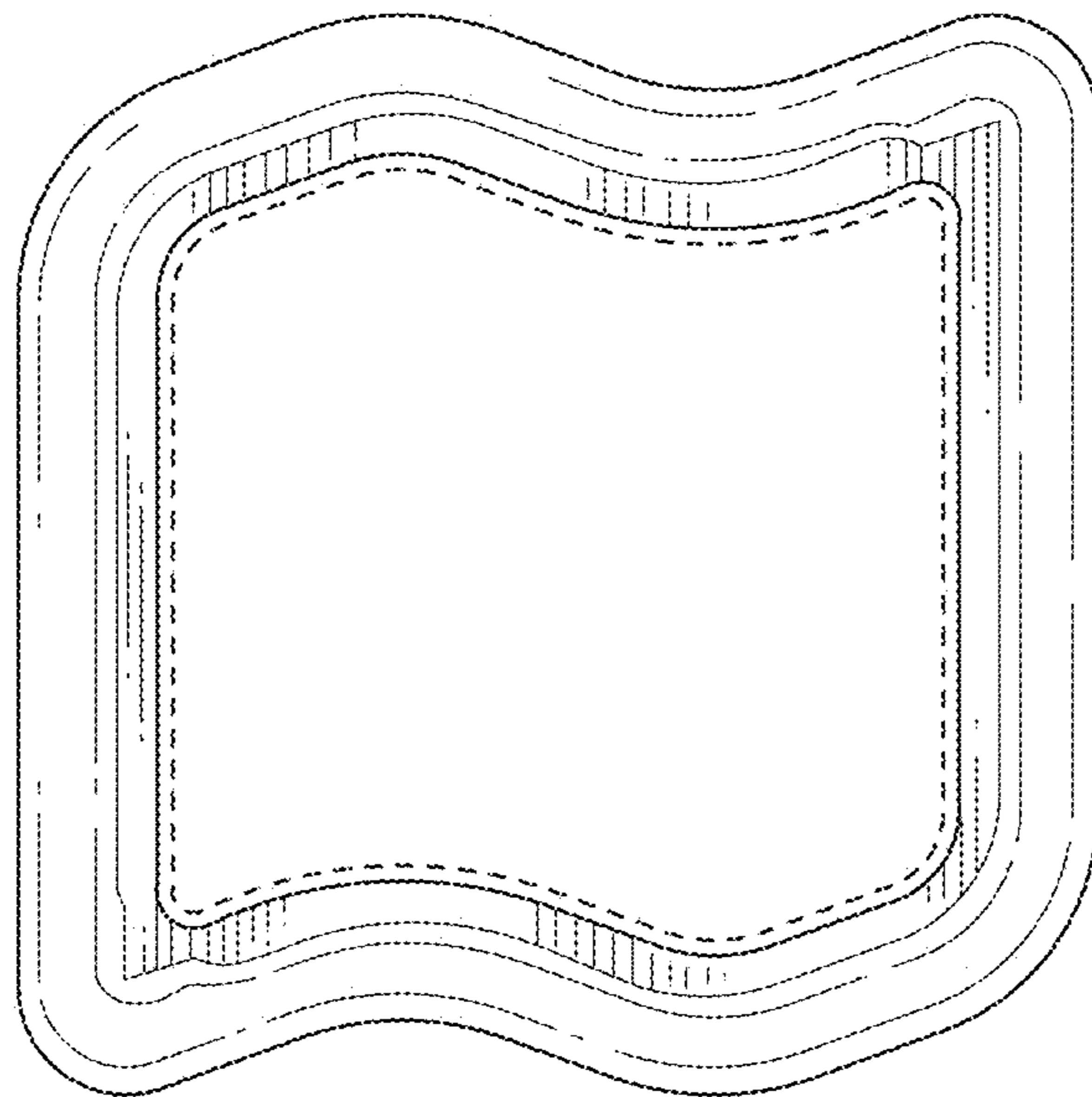


FIG. 7