



US00D906117S

(12) **United States Design Patent** (10) **Patent No.:** **US D906,117 S**
Shiota (45) **Date of Patent:** **** *Dec. 29, 2020**

(54) **BOTTLE FOR COSMETICS**
(71) Applicant: **SHISEIDO CO., LTD.**, Tokyo (JP)
(72) Inventor: **Emiko Shiota**, Tokyo (JP)
(73) Assignee: **SHISEIDO CO., LTD.**, Tokyo (JP)
(*) Notice: This patent is subject to a terminal disclaimer.
(**) Term: **15 Years**
(21) Appl. No.: **29/693,460**
(22) Filed: **Jun. 3, 2019**
(51) **LOC (12) Cl.** **09-01**
(52) **U.S. Cl.**
USPC **D9/504; D9/454; D9/503**
(58) **Field of Classification Search**
USPC D9/414, 434-435, 454, 500, 503-504,
D9/516, 529, 549, 558, 715, 719;
D28/73, 76
CPC B65D 1/00; B65D 1/02; B65D 1/0223;
B65D 23/00; B65D 51/32; B65D
2501/00; B65D 2501/0009
See application file for complete search history.

D423,922 S * 5/2000 Ohchi D9/503
D632,014 S * 2/2011 Lee D28/76
D632,017 S * 2/2011 Lee D28/89
D634,639 S * 3/2011 L'Abbate D9/529
D635,030 S * 3/2011 L'Abbate D9/529
8,479,940 B2 * 7/2013 Marra B65D 23/0885
220/23.87
D715,156 S * 10/2014 Park D9/688
D729,584 S * 5/2015 Weston D7/510
D746,140 S * 12/2015 Watabe D9/503
D746,141 S * 12/2015 Watabe D9/503
D746,147 S * 12/2015 Watabe D9/552
D777,575 S * 1/2017 Harada D9/503
D852,059 S * 6/2019 Nagata D9/690

* cited by examiner

Primary Examiner — Dana Meyrow
(74) *Attorney, Agent, or Firm* — Manabu Kanesaka

(57) **CLAIM**

The ornamental design for a bottle for cosmetics, as shown and described.

DESCRIPTION

FIG. 1 is a perspective view of a bottle for cosmetics showing my new design;
FIG. 2 is a front view thereof;
FIG. 3 is a rear view thereof;
FIG. 4 is a top plan view thereof;
FIG. 5 is a bottom plan view thereof;
FIG. 6 is a left side view thereof; and,
FIG. 7 is a right side view thereof.

1 Claim, 2 Drawing Sheets

(56) **References Cited**
U.S. PATENT DOCUMENTS
D294,114 S * 2/1988 Beck D9/690
D335,451 S * 5/1993 Schmidt D9/502

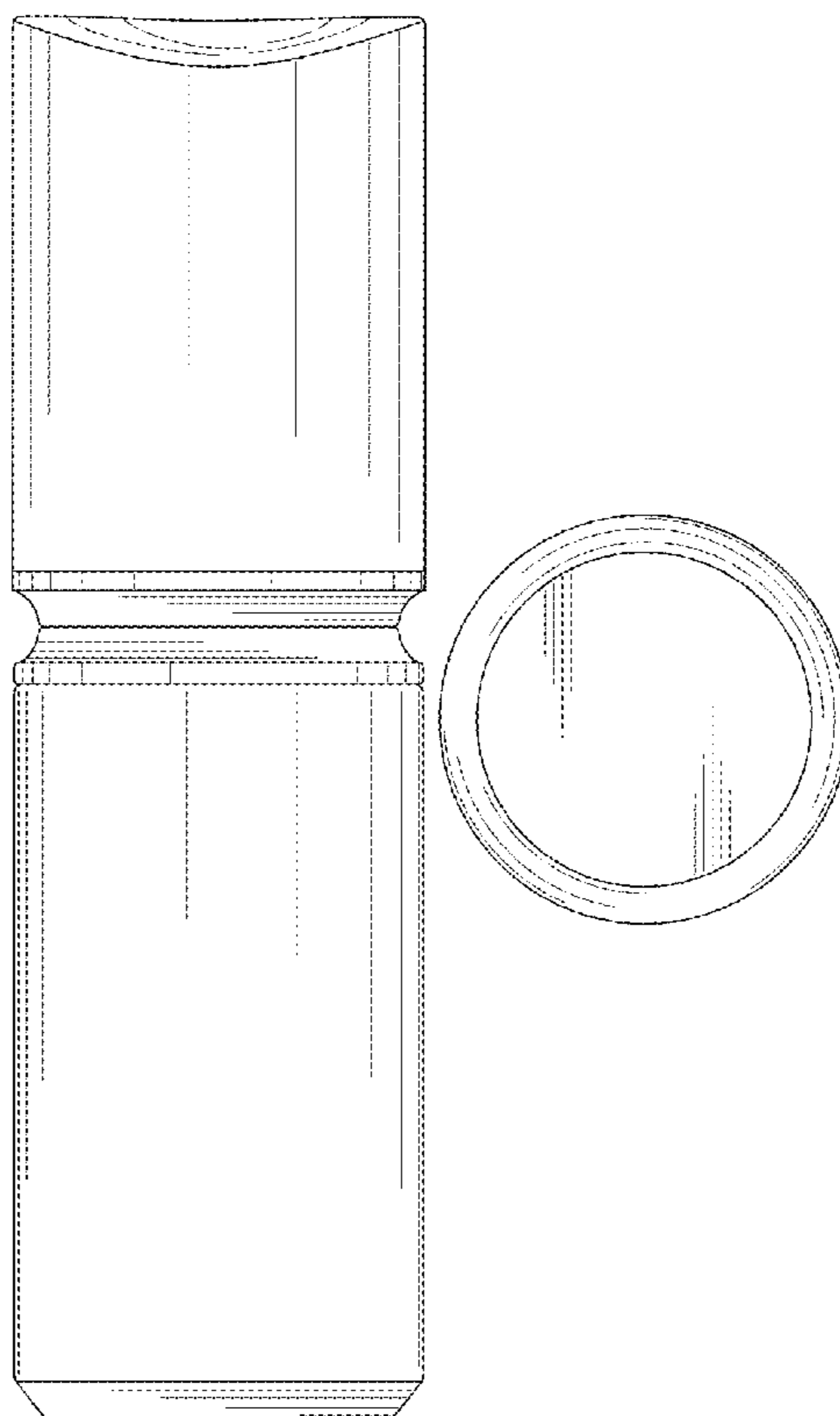


Fig.3

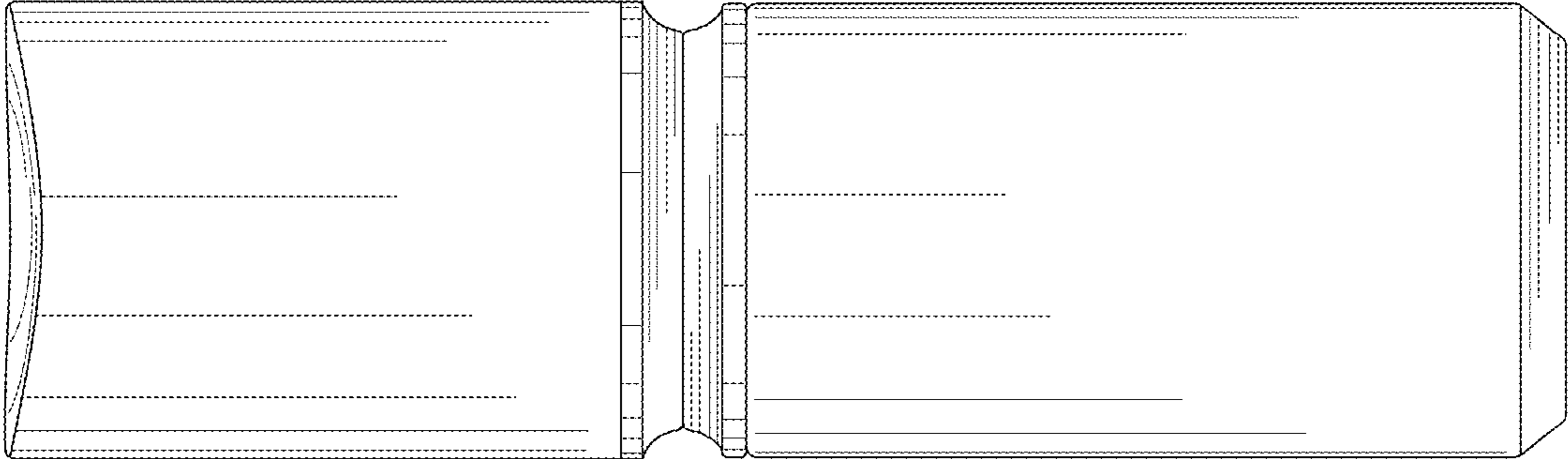


Fig.2

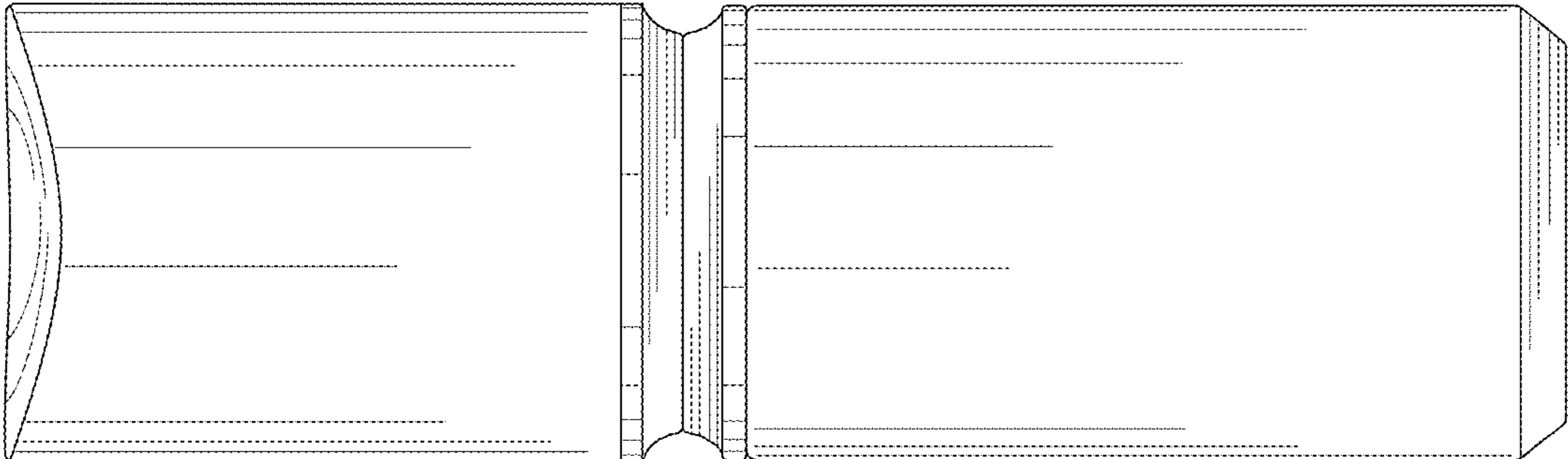


Fig.1

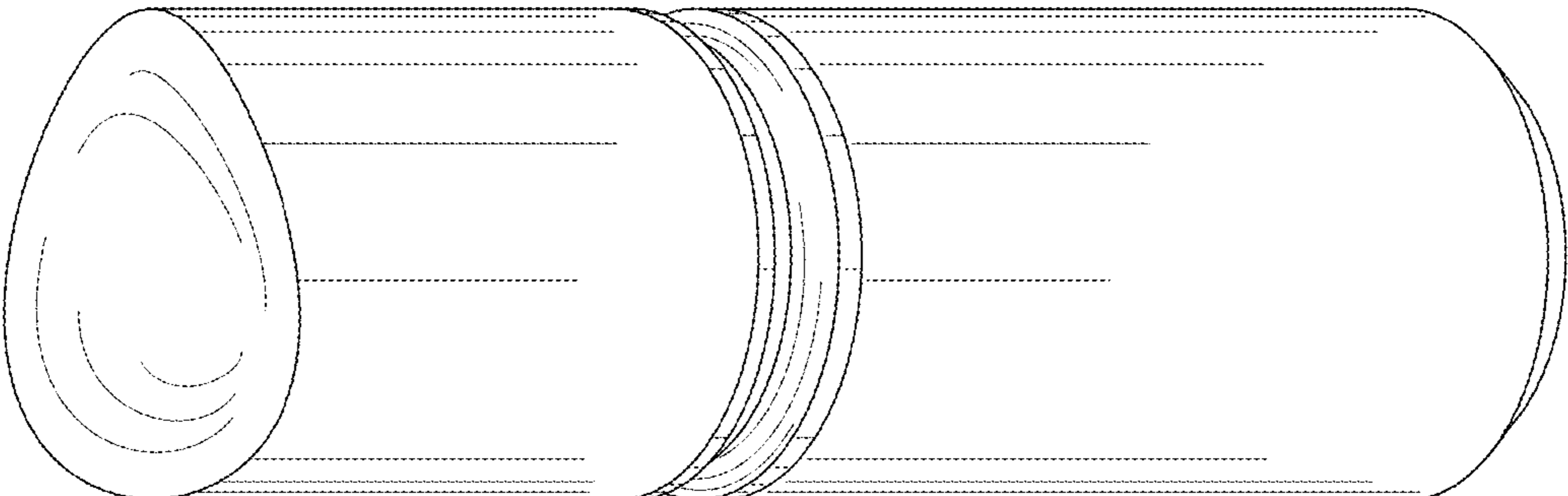


Fig.7

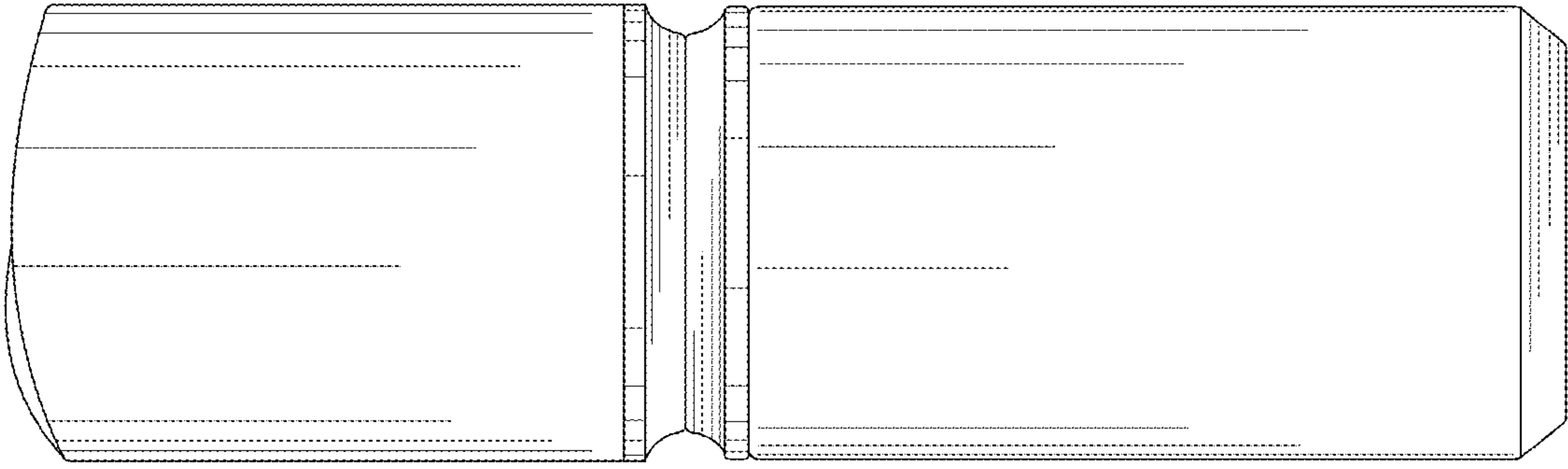


Fig.6

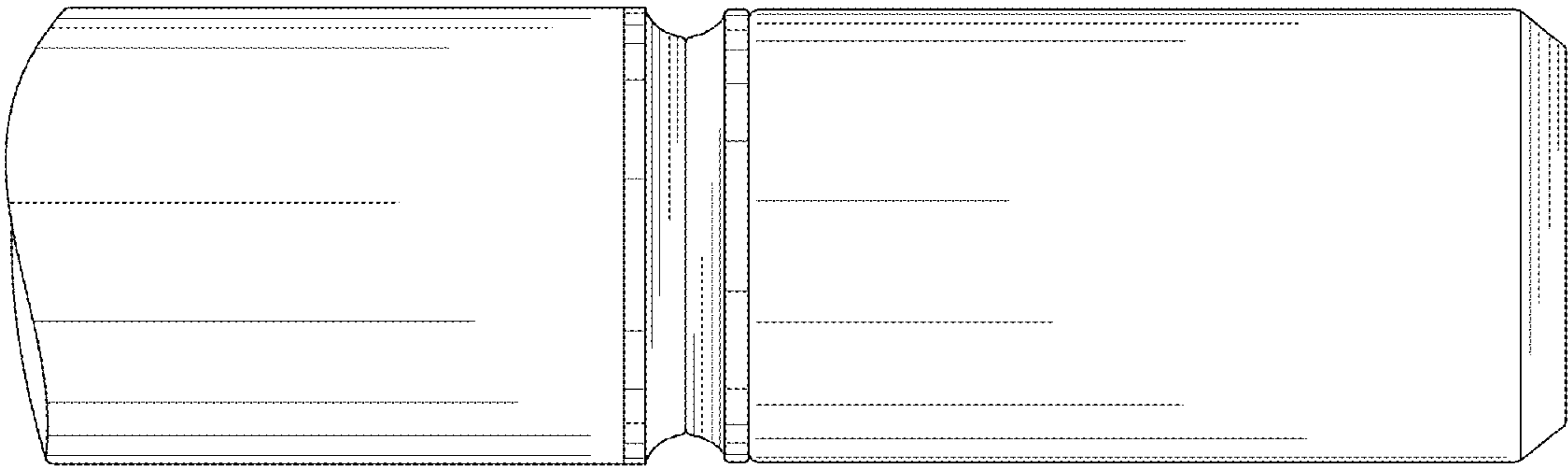


Fig.4

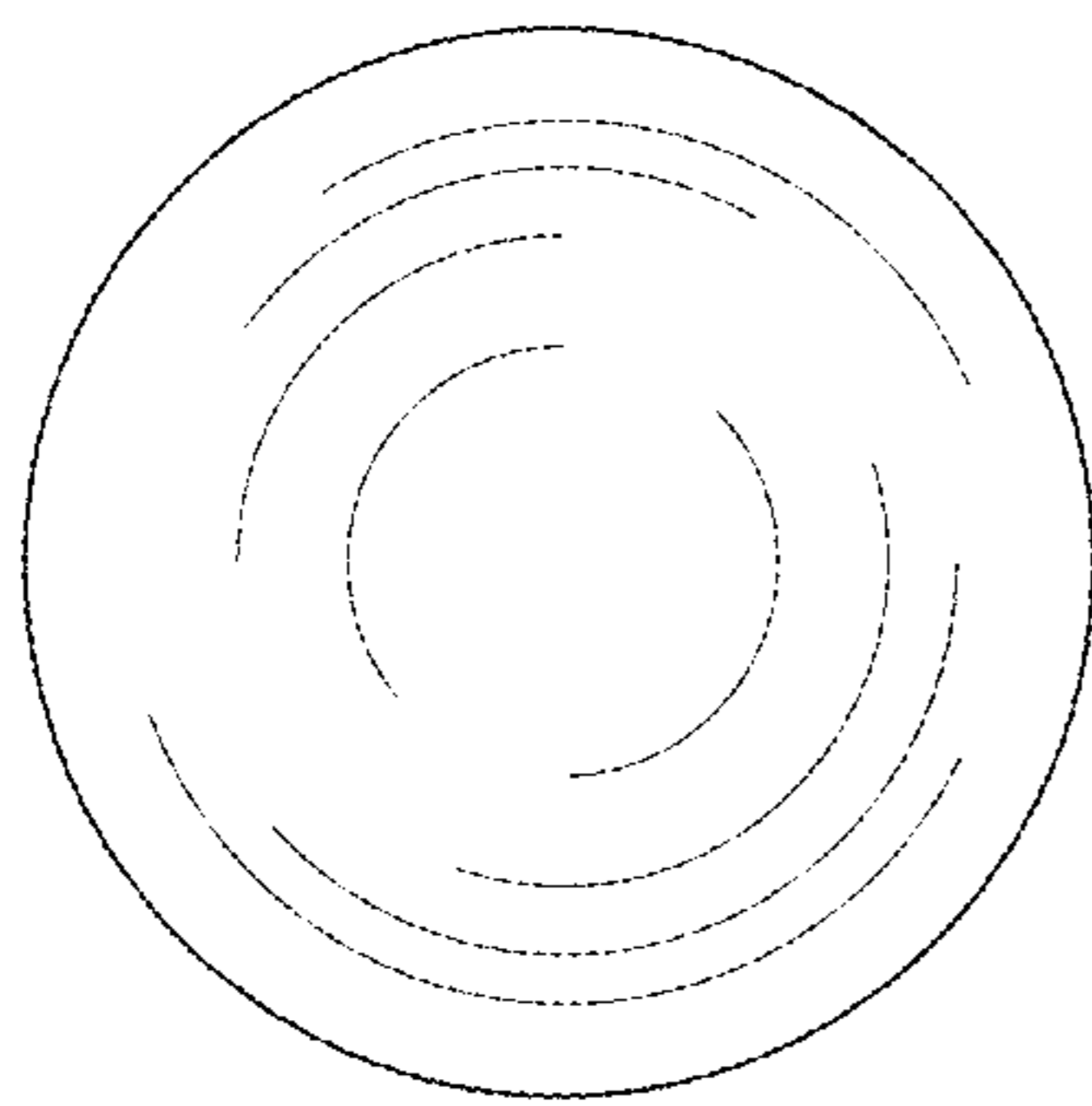


Fig.5

