



US00D906116S

(12) **United States Design Patent**
Liu

(10) **Patent No.:** **US D906,116 S**

(45) **Date of Patent:** **** Dec. 29, 2020**

(54) **CONTAINER**

(71) Applicant: **THE GREEN JARS INTERNATIONAL INC.**, Walnut, CA (US)

(72) Inventor: **Sheng-Yu Liu**, Taipei (TW)

(73) Assignee: **THE GREEN JARS INTERNATIONAL INC.**, Walnut, CA (US)

(**) Term: **15 Years**

(21) Appl. No.: **29/666,298**

(22) Filed: **Oct. 11, 2018**

(51) **LOC (12) Cl.** **09-07**

(52) **U.S. Cl.**
USPC **D9/503**; D9/453

(58) **Field of Classification Search**
USPC D9/652, 667, 772, 500-505, 516, 520, D9/530, 537, 538, 544, 545, 549, 557, D9/443, 449, 452, 453, 454; D28/76, 77, D28/82, 88, 91.1; D24/121, 197; D7/601, 602, 605
CPC B65D 1/00; B65D 1/02; B65D 1/0207; B65D 1/0223; B65D 21/0209; B65D 21/0213; B65D 2501/00; B65D 2501/0009

See application file for complete search history.

(56) **References Cited**

U.S. PATENT DOCUMENTS

D171,578 S * 3/1954 Brucker D9/778
D254,180 S * 2/1980 Morin D7/612
D263,203 S * 3/1982 Haag, Sr. D9/520

4,429,798 A * 2/1984 Borows A45D 40/0068
215/12.1
D307,544 S * 5/1990 Conner D9/503
D312,400 S * 11/1990 Schwaikert D9/424
D313,353 S * 1/1991 Hart D32/53.1
D422,217 S * 4/2000 Gundlach D9/452
D437,228 S * 2/2001 Collins D9/453
D480,307 S * 10/2003 Canamasas Puigbo D28/76
D530,208 S * 10/2006 Danne D9/504
D643,734 S * 8/2011 Perez D9/548
D693,221 S * 11/2013 Ramsey D9/453
D693,685 S * 11/2013 Ramsey D9/453
D697,366 S * 1/2014 Kristinik D7/392.1

* cited by examiner

Primary Examiner — Cathron C Brooks

Assistant Examiner — Sharon S Oum

(74) *Attorney, Agent, or Firm* — Chun-Ming Shih; HDLS IPR Services

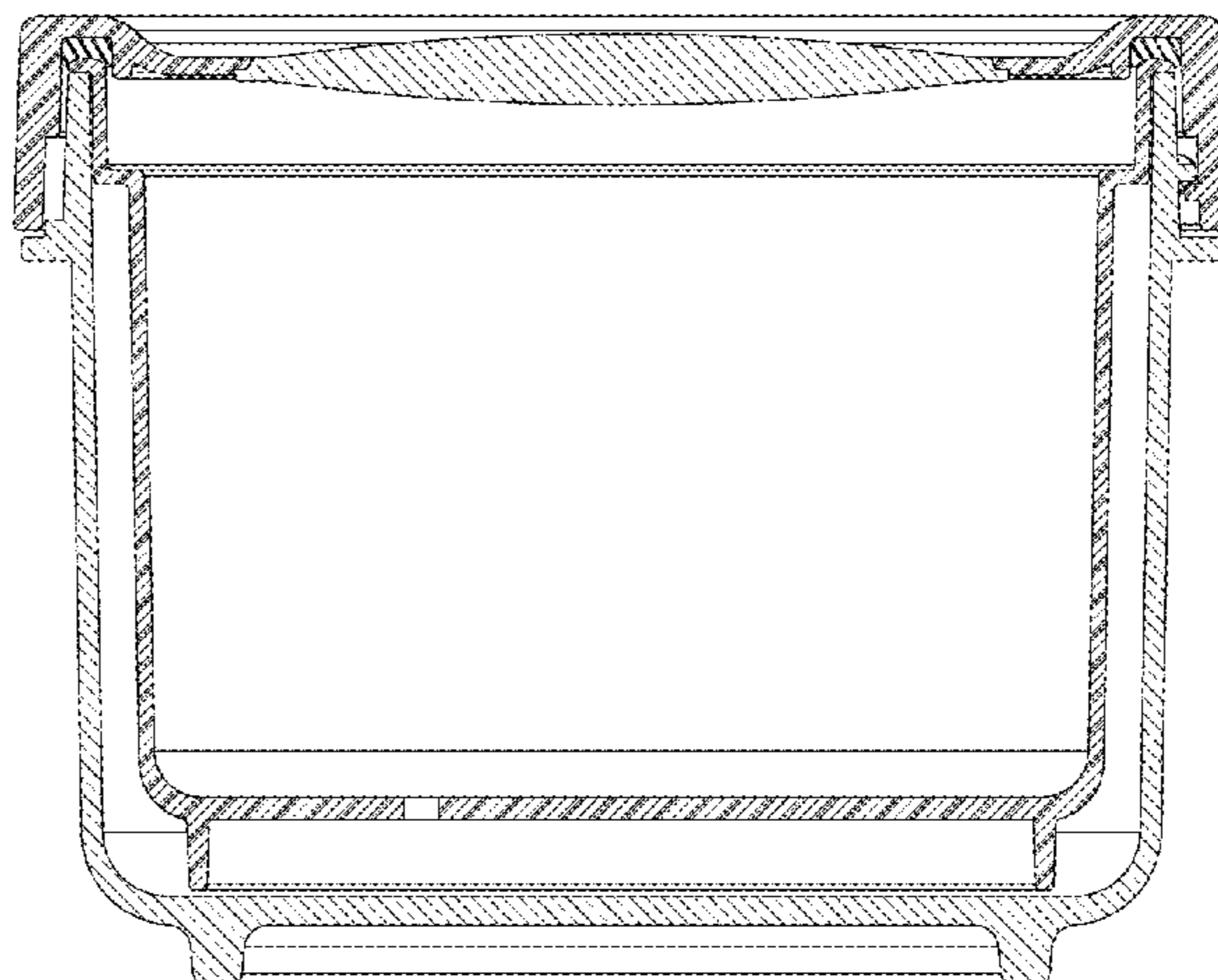
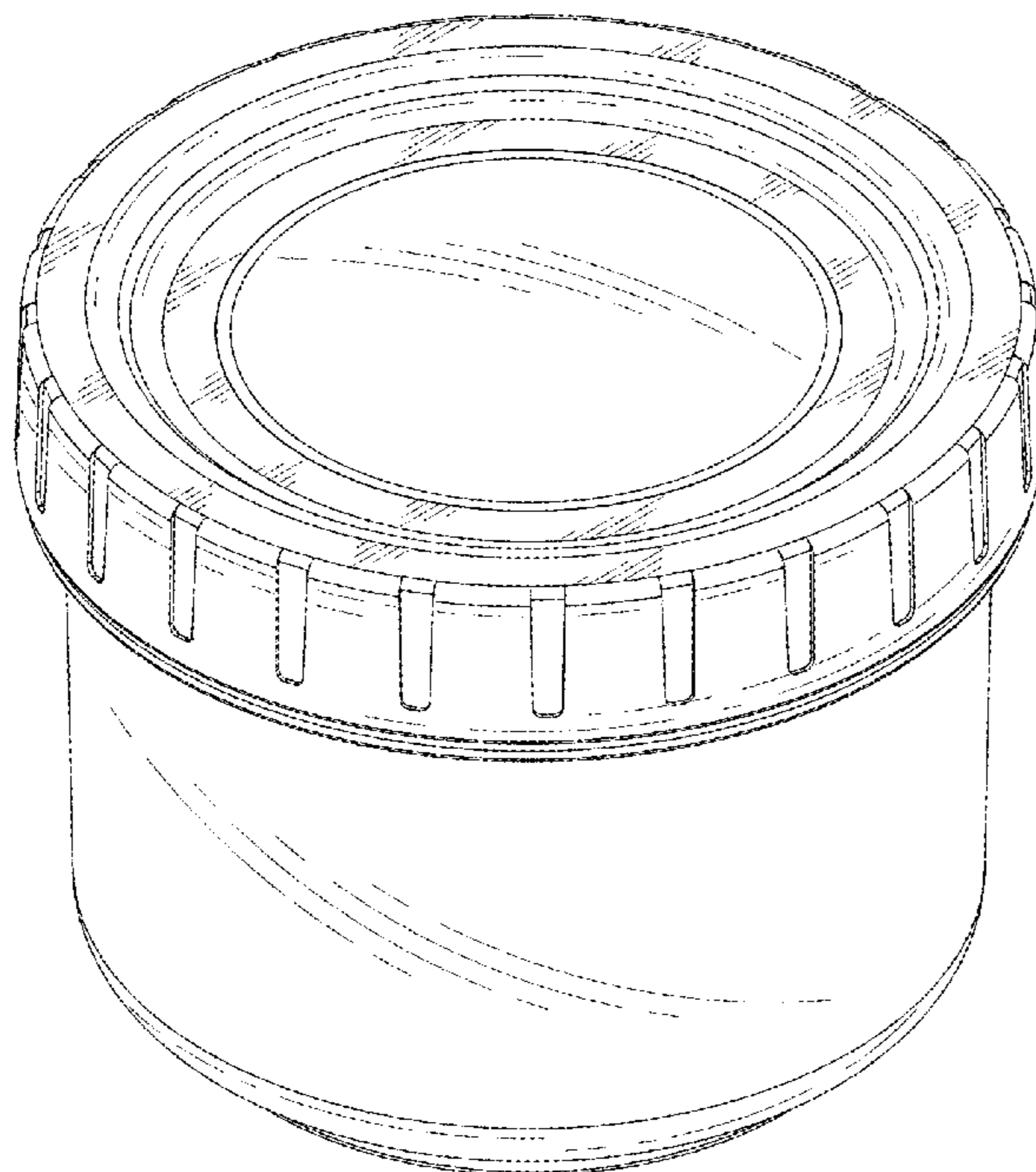
(57) **CLAIM**

The ornamental design for a container, as shown and described.

DESCRIPTION

FIG. 1 is a top perspective view of a container showing my new design;
FIG. 2 is a front view thereof;
FIG. 3 is a rear view thereof;
FIG. 4 is a left side view thereof;
FIG. 5 is a right side view thereof;
FIG. 6 is a top view thereof;
FIG. 7 is a bottom view thereof; and
FIG. 8 is a bottom perspective view thereof
FIG. 9 is a cross-sectional view thereof, taken along line 9-9 shown in FIG. 6; and,
FIG. 10 is an exploded perspective view thereof.

1 Claim, 10 Drawing Sheets



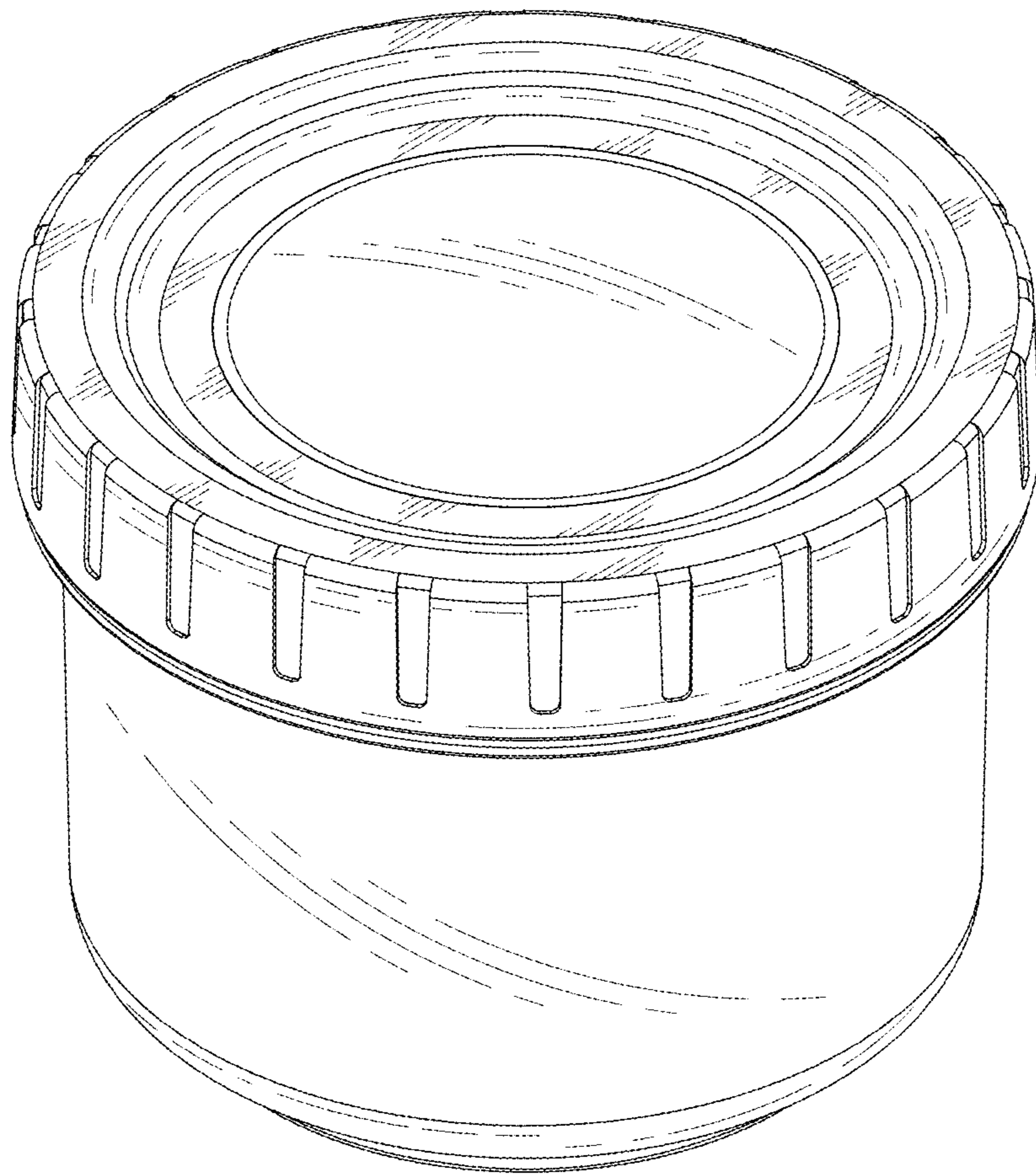


FIG.1

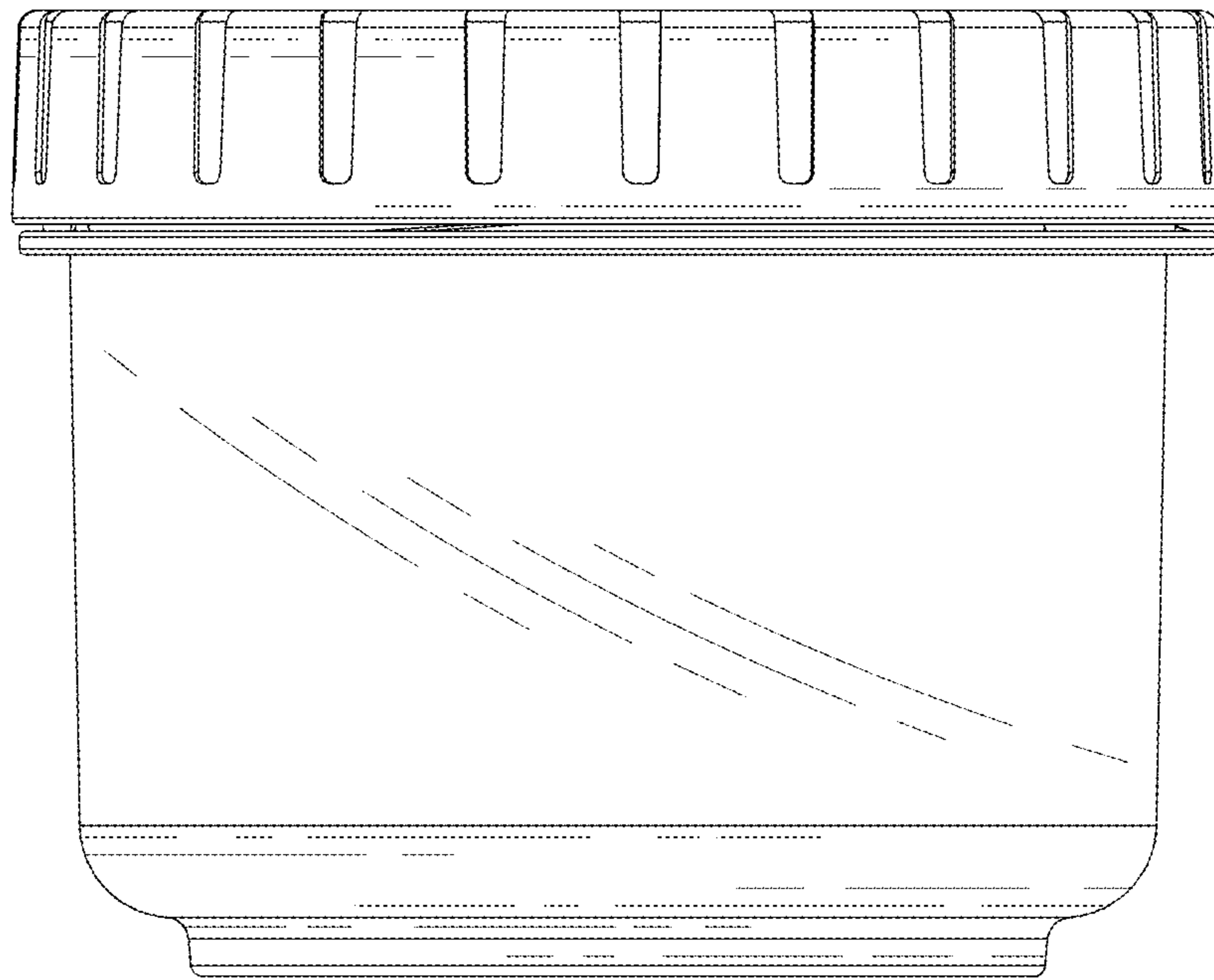


FIG.2

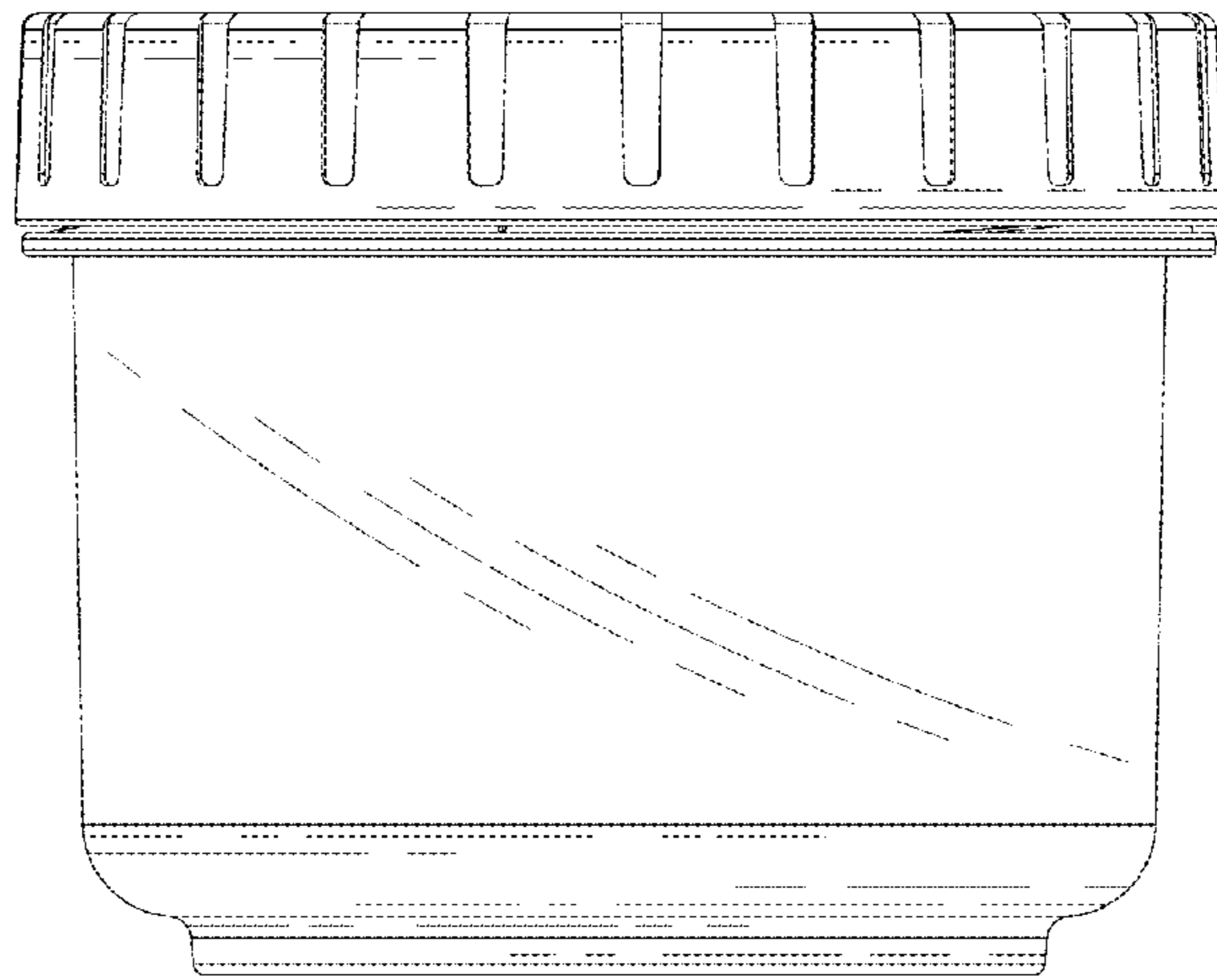


FIG.3

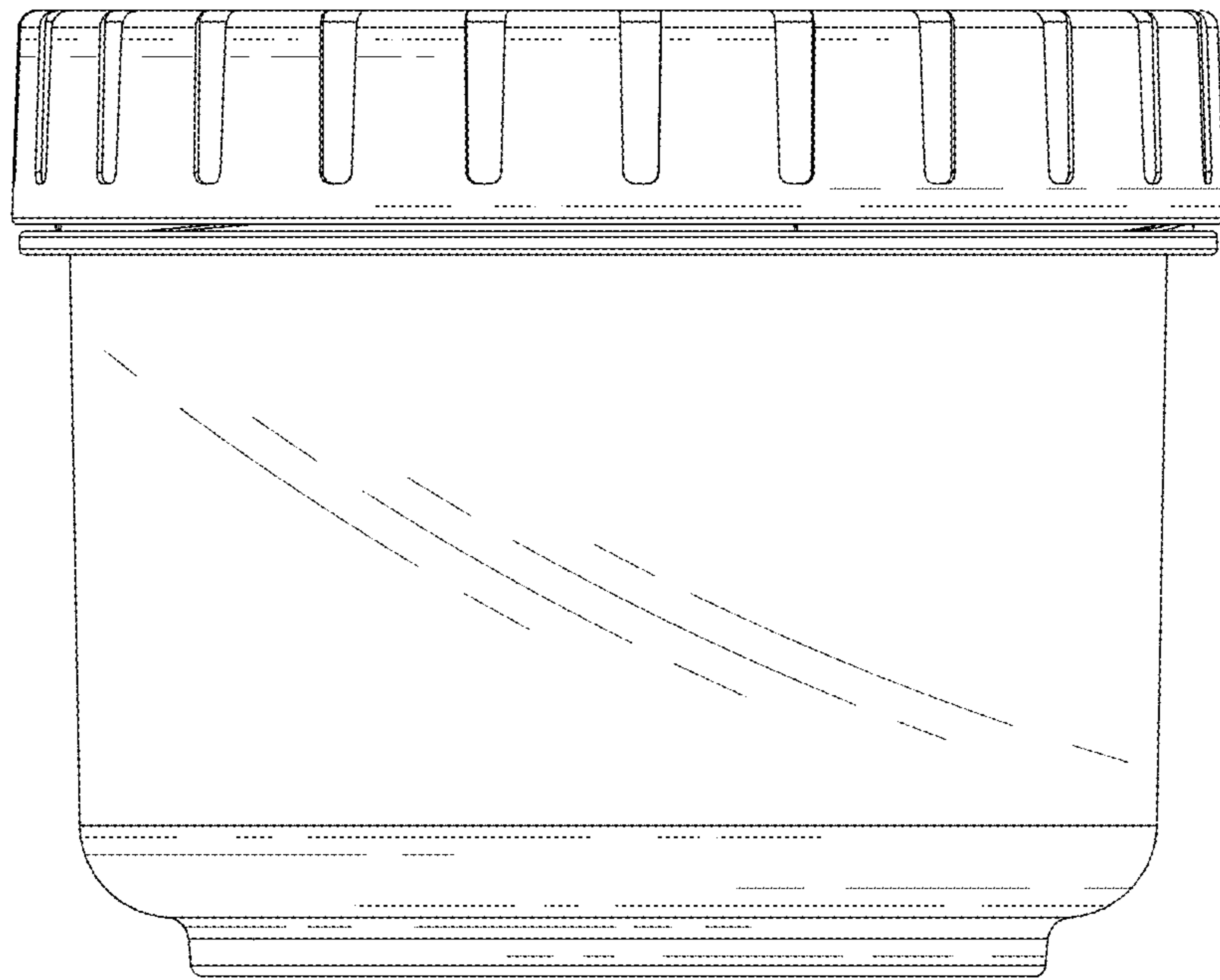


FIG.4

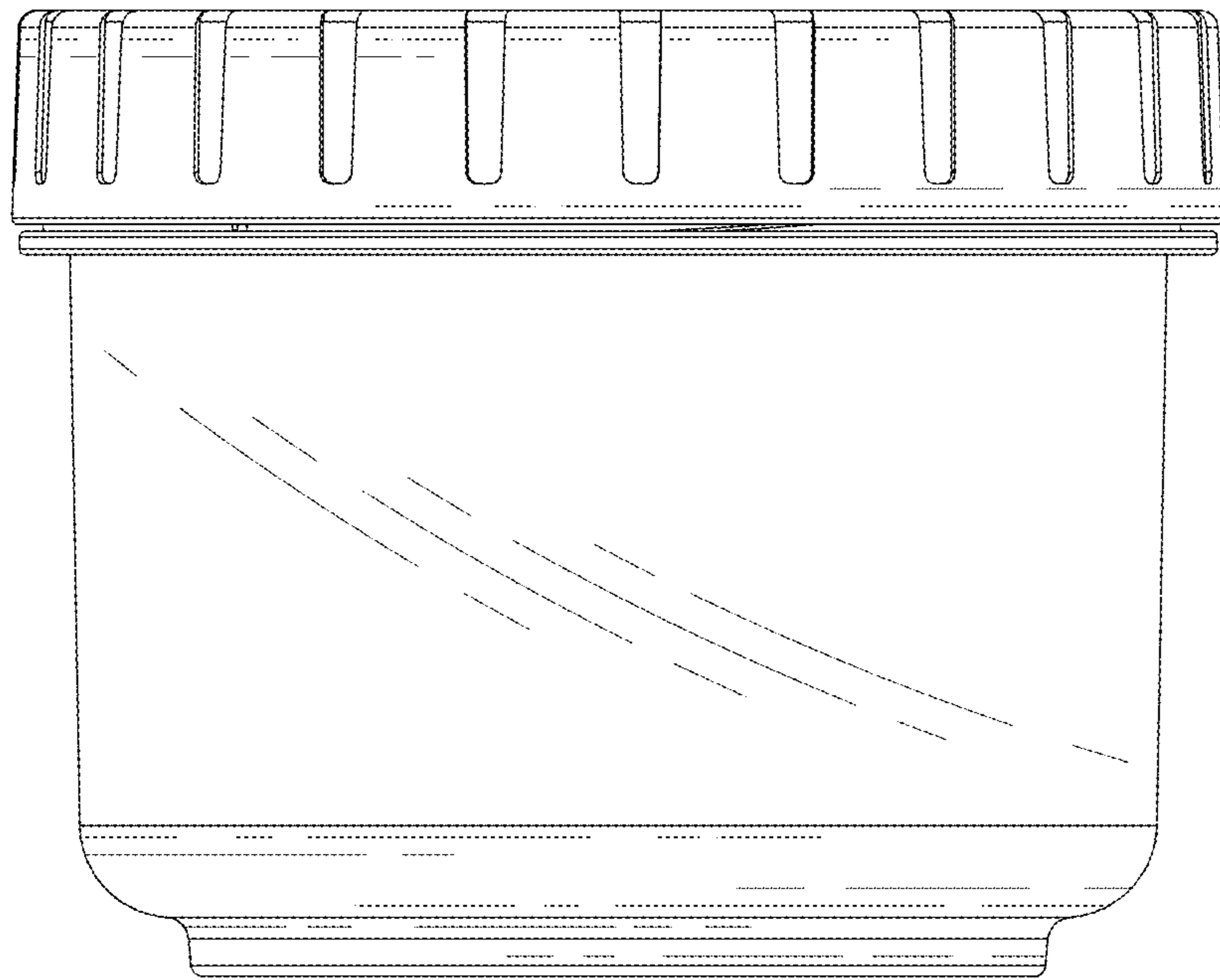


FIG.5

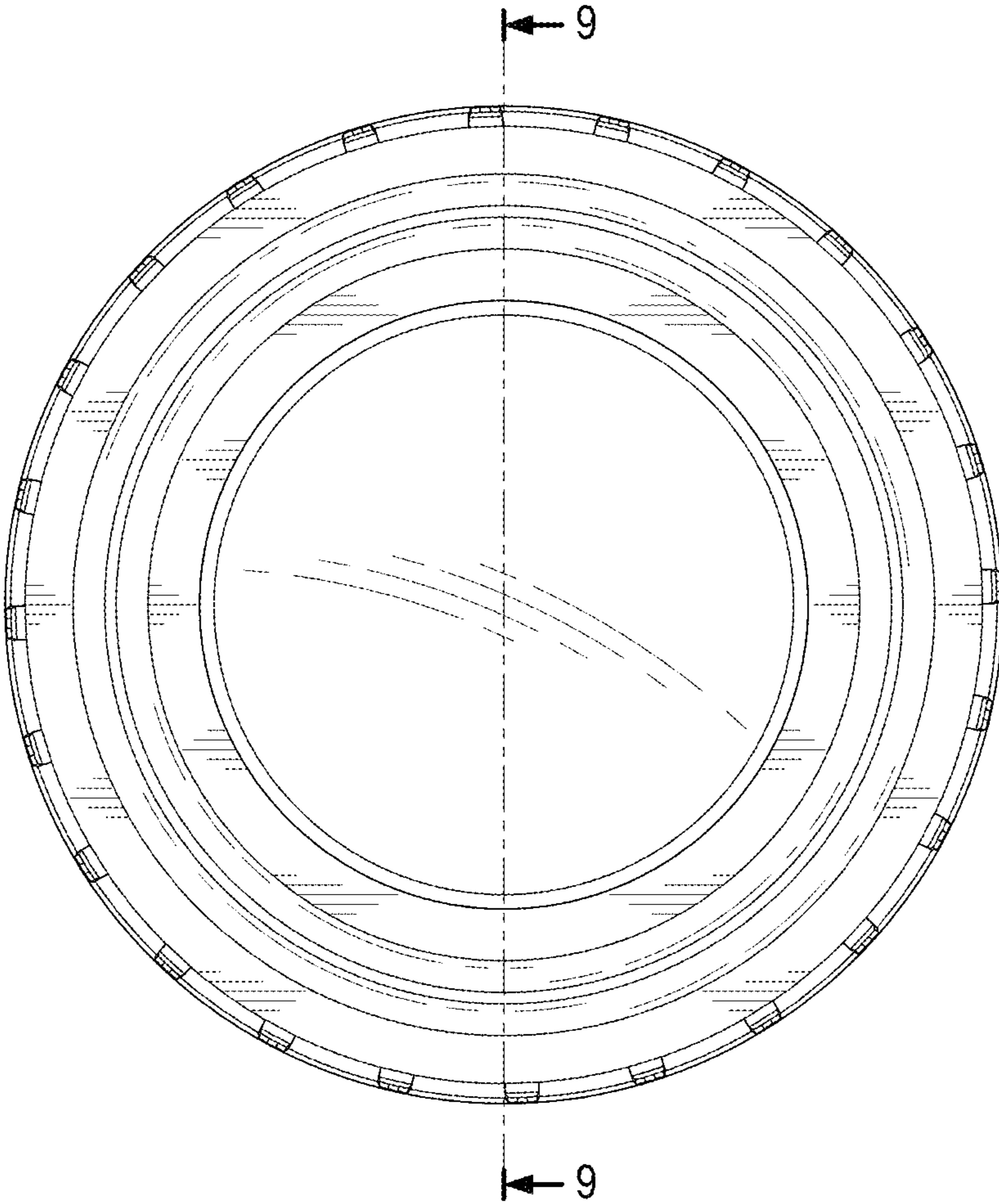


FIG.6

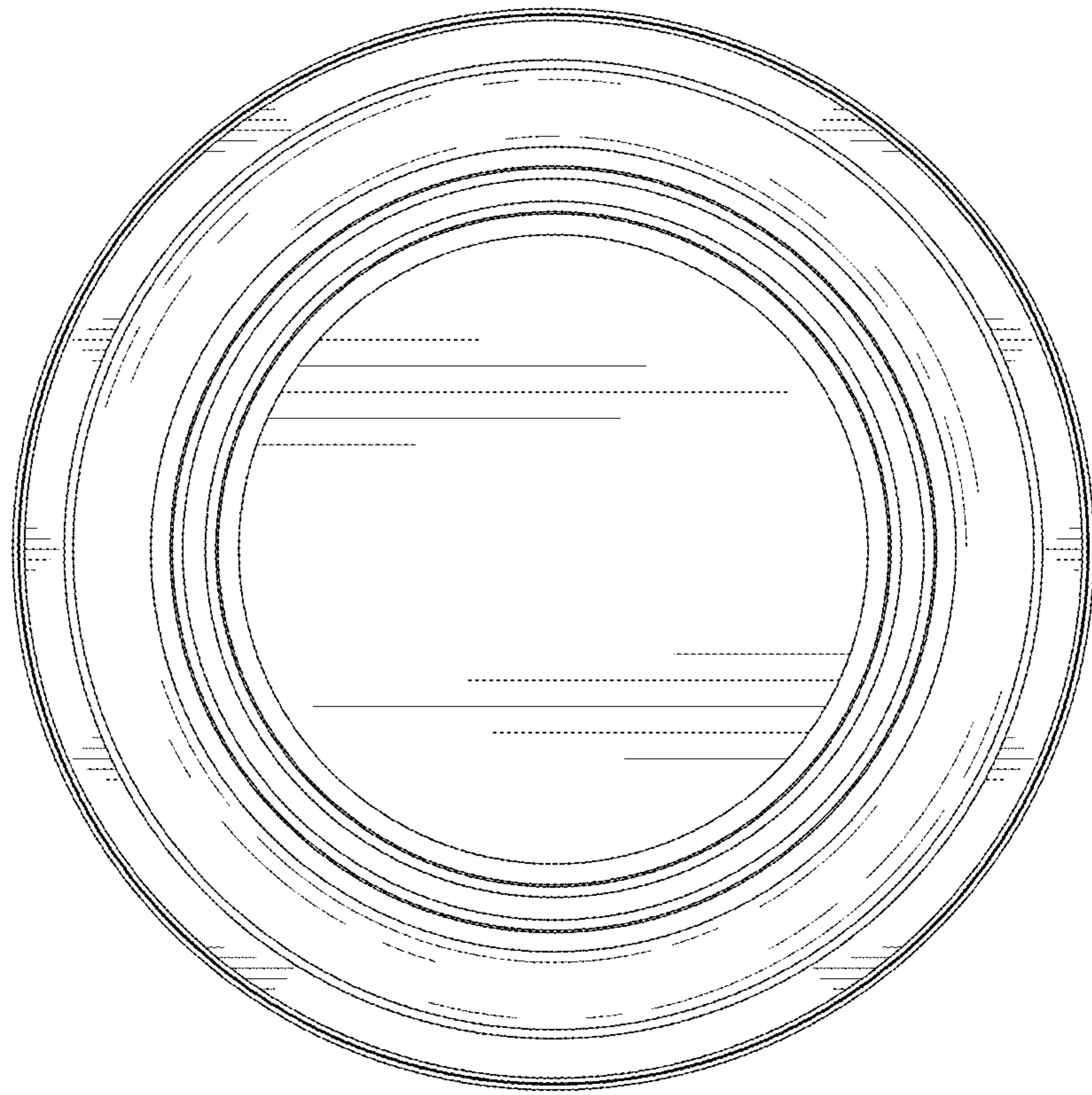


FIG.7

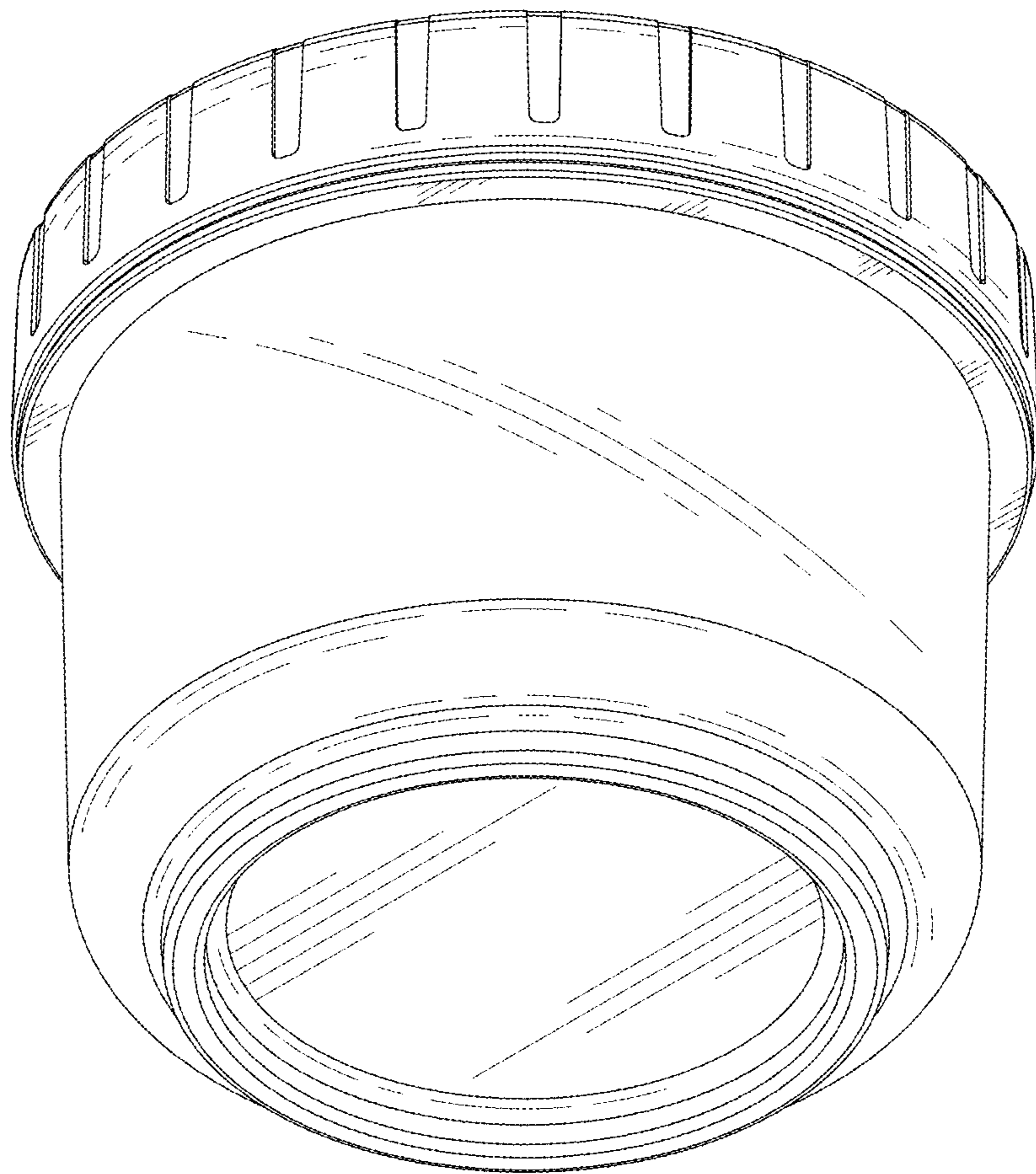


FIG.8

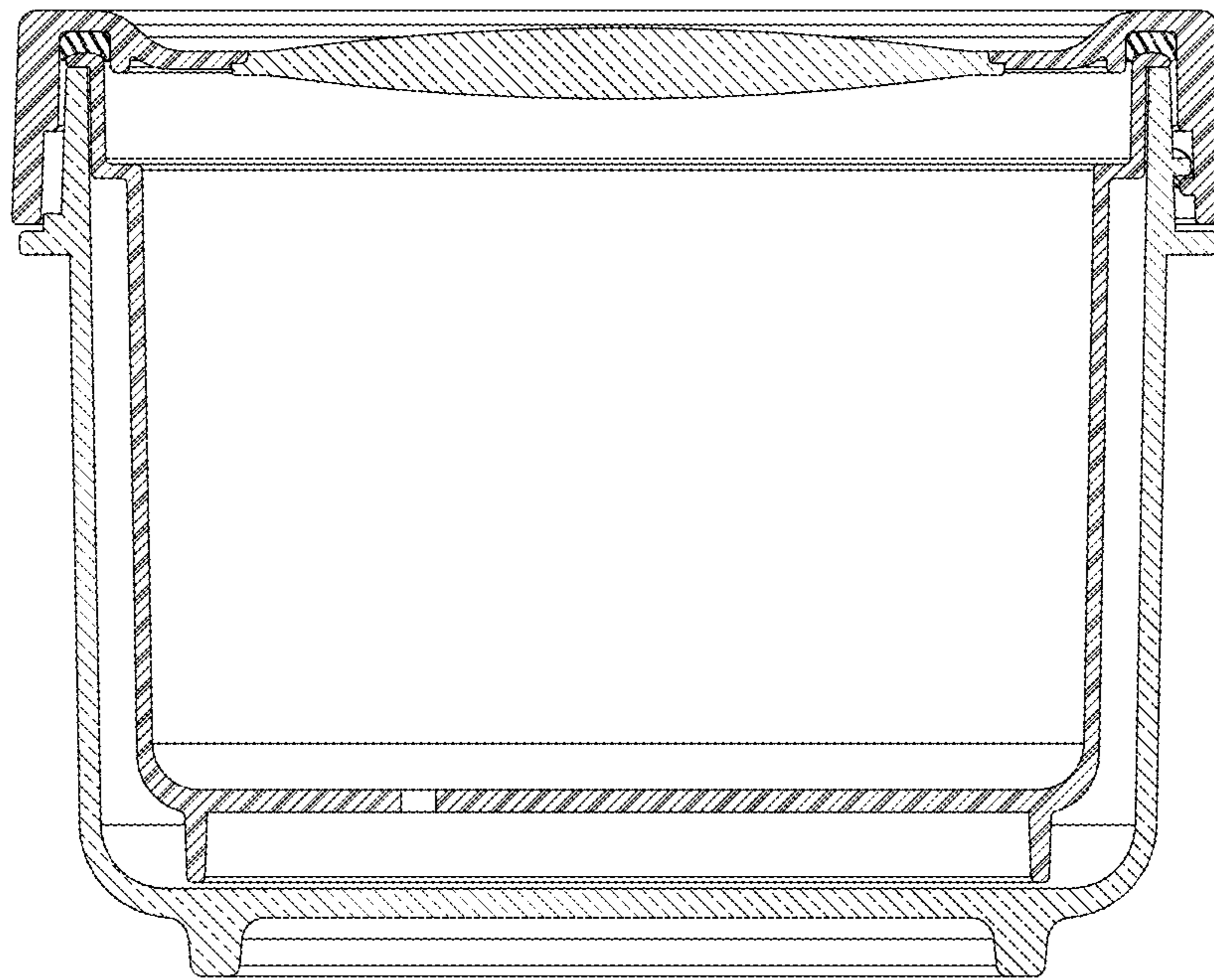


FIG.9

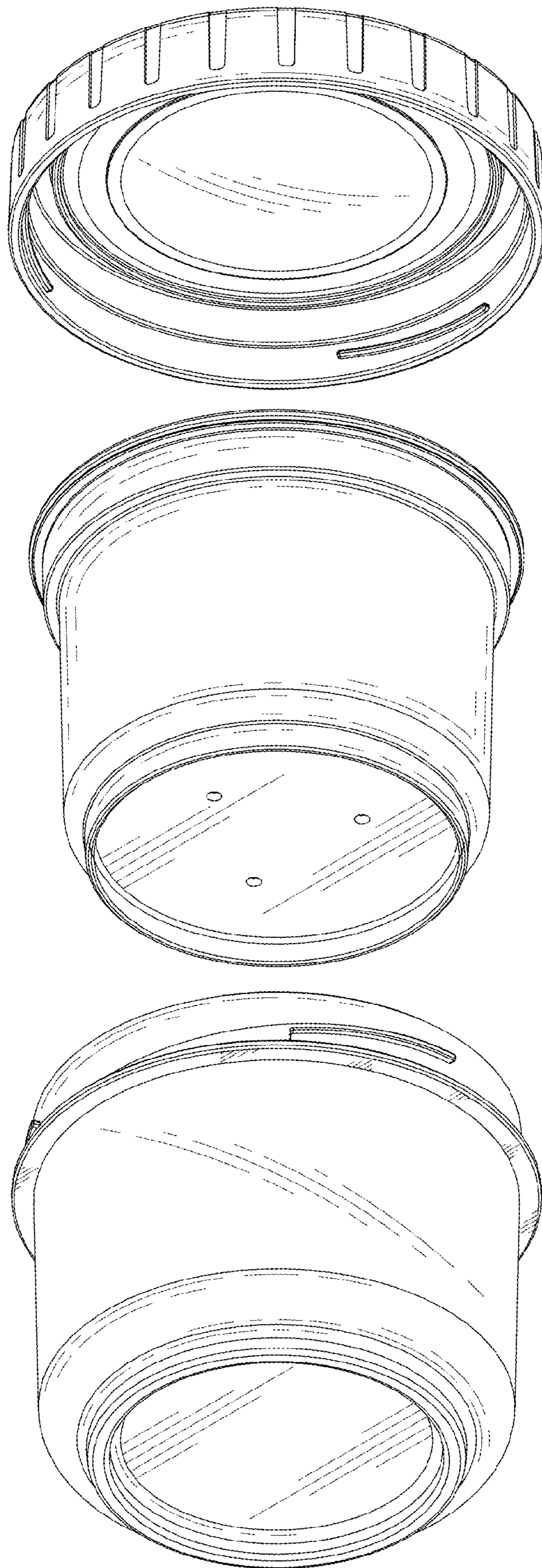


FIG.10