



US00D906114S

(12) **United States Design Patent**
McFarlane et al.

(10) **Patent No.:** **US D906,114 S**

(45) **Date of Patent:** **** Dec. 29, 2020**

(54) **CONTAINER**

(71) Applicant: **AMCOR RIGID PACKAGING USA, LLC**, Ann Arbor, MI (US)

(72) Inventors: **Ronald McFarlane**, Sylvania, OH (US); **Peter Bates**, Sylvania, OH (US); **Richard J. Steih**, Jackson, MI (US)

(73) Assignee: **AMCOR RIGID PACKAGING USA, LLC**, Ann Arbor, MI (US)

(**) Term: **15 Years**

(21) Appl. No.: **29/722,659**

(22) Filed: **Jan. 31, 2020**

(51) **LOC (12) Cl.** **09-01**

(52) **U.S. Cl.**
USPC **D9/502**

(58) **Field of Classification Search**
USPC D9/434, 500, 502-503, 516, 530,
D9/537-540, 549, 550, 557-558, 715,
D9/719

CPC B65D 1/00; B65D 1/02; B65D 1/0223;
B65D 23/00; B65D 81/00; B65D
2501/00; B65D 2501/0009

See application file for complete search history.

(56) **References Cited**

U.S. PATENT DOCUMENTS

- 3,297,194 A * 1/1967 Caldwell B65H 75/28
220/672
- D209,631 S * 12/1967 Schaper et al. D34/39
- 3,464,546 A * 9/1969 Thomka B65D 25/14
206/524.3
- D324,492 S * 3/1992 Nickerson D9/502
- D427,910 S * 7/2000 Barnes D9/502

- D428,814 S * 8/2000 Silvers D9/502
- D450,244 S * 11/2001 Rashid D9/502
- 6,971,530 B2 * 12/2005 Darr B29C 49/0073
215/375
- D518,725 S * 4/2006 Eble D9/502
- 9,150,320 B2 * 10/2015 Wurster B65B 61/24
- 9,834,359 B2 * 12/2017 Bates B65D 21/0231
- D815,947 S * 4/2018 Hurley D9/502
- 9,994,378 B2 * 6/2018 Wurster B65D 1/0276
- 10,189,596 B2 * 1/2019 Wurster B65B 61/24
- 2004/0173565 A1 * 9/2004 Semersky B65D 1/44
215/382
- 2013/0206719 A1 * 8/2013 Tanaka B65D 1/0276
215/381
- 2016/0346986 A1 * 12/2016 Van Dijck B29C 49/4273
- 2019/0009952 A1 * 1/2019 Pedmo B65D 41/0471

* cited by examiner

Primary Examiner — Dana Meyrow

(74) *Attorney, Agent, or Firm* — Harness, Dickey & Pierce, P.L.C.

(57) **CLAIM**

The ornamental design for a container, as shown and described.

DESCRIPTION

FIG. 1 is a front perspective view of a container showing the new design;

FIG. 2 is a front elevation view thereof, the rear elevation view, the right side elevation view and the left side elevation view being mirror images;

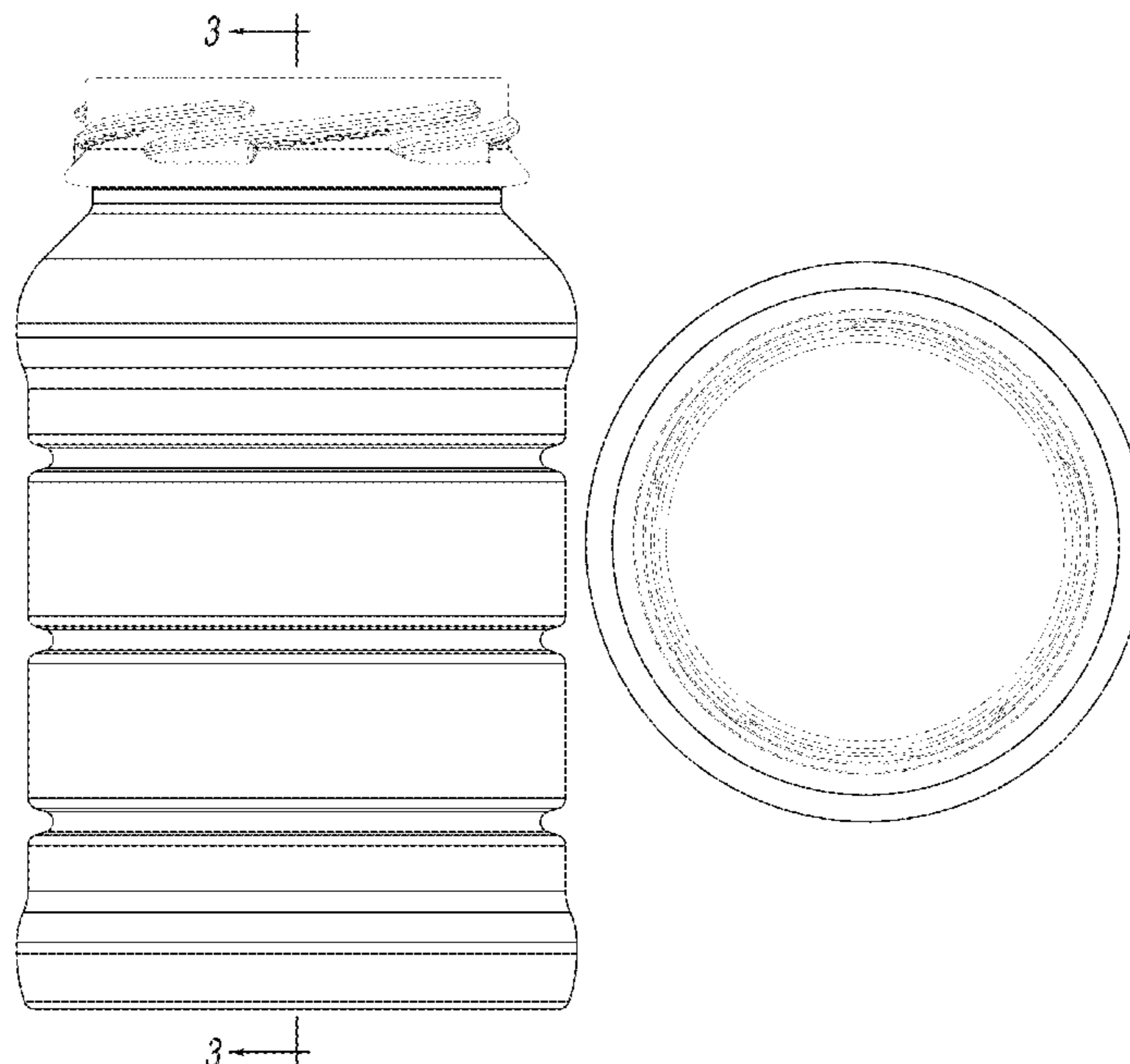
FIG. 3 is a cross-sectional view of the container along line 3-3 of FIG. 2;

FIG. 4 is a top plan view thereof; and,

FIG. 5 is a bottom plan view thereof.

The broken lines in the drawings illustrate portions of the container that form no part of the claimed design.

1 Claim, 5 Drawing Sheets



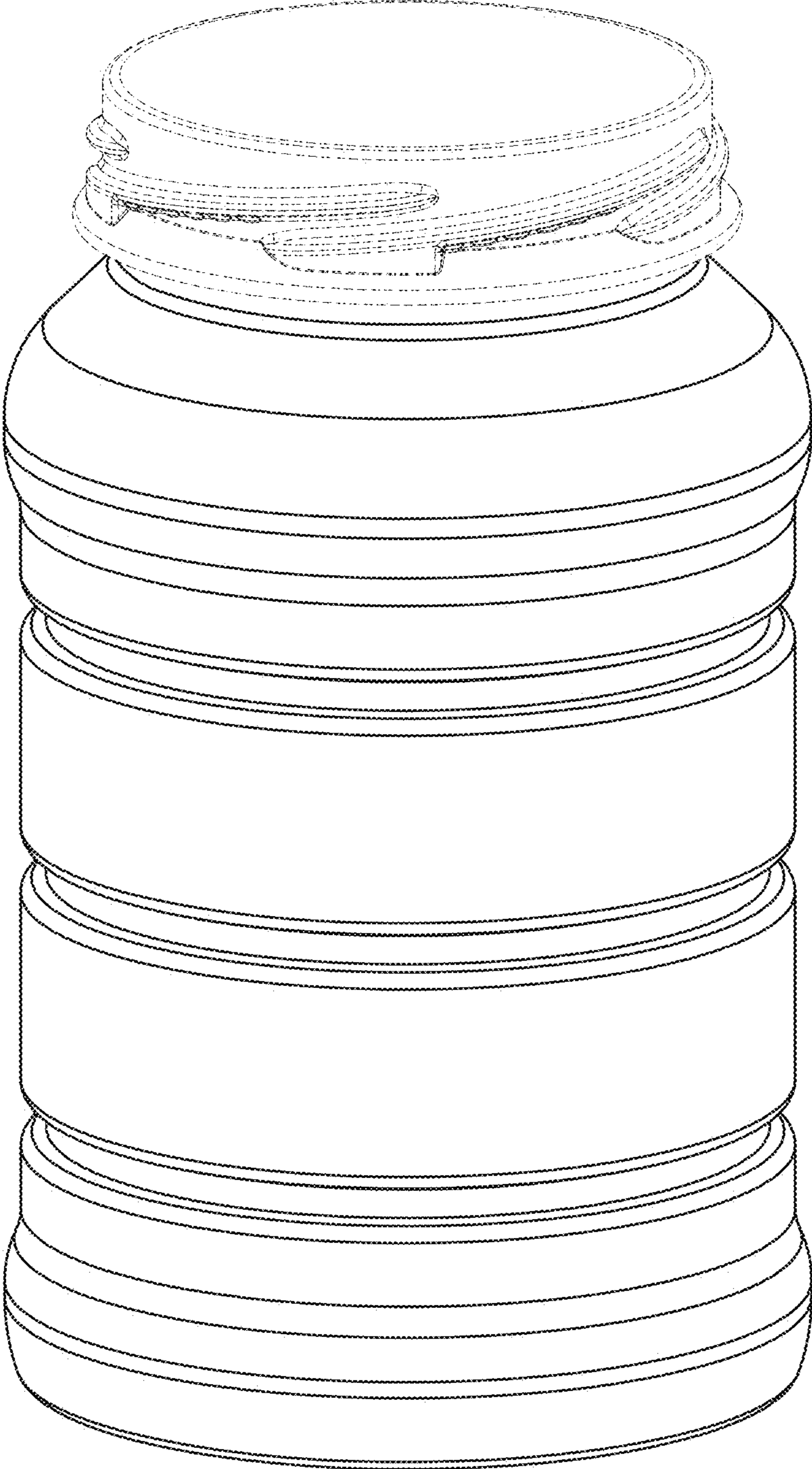


FIG - 1

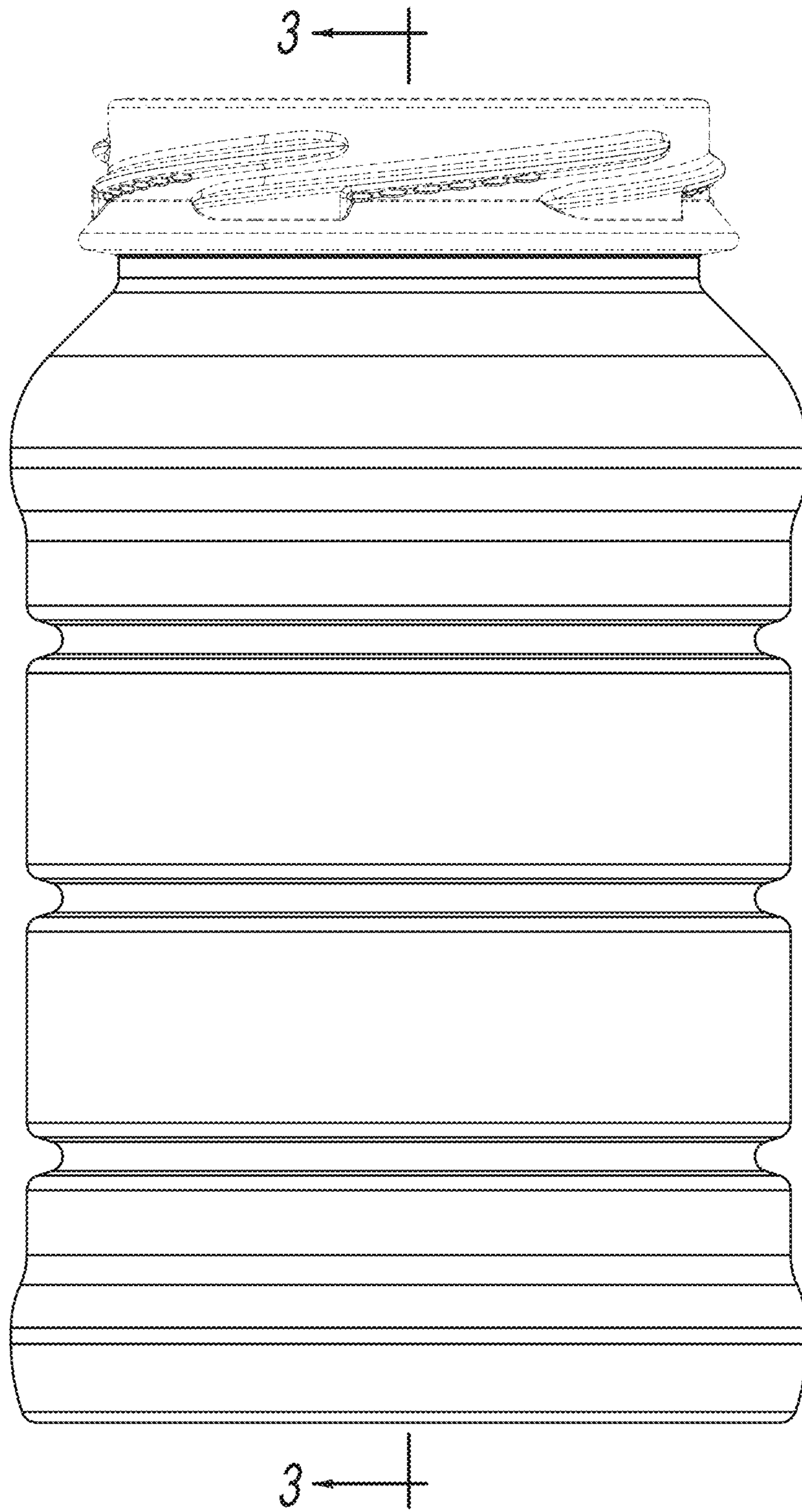


FIG - 2

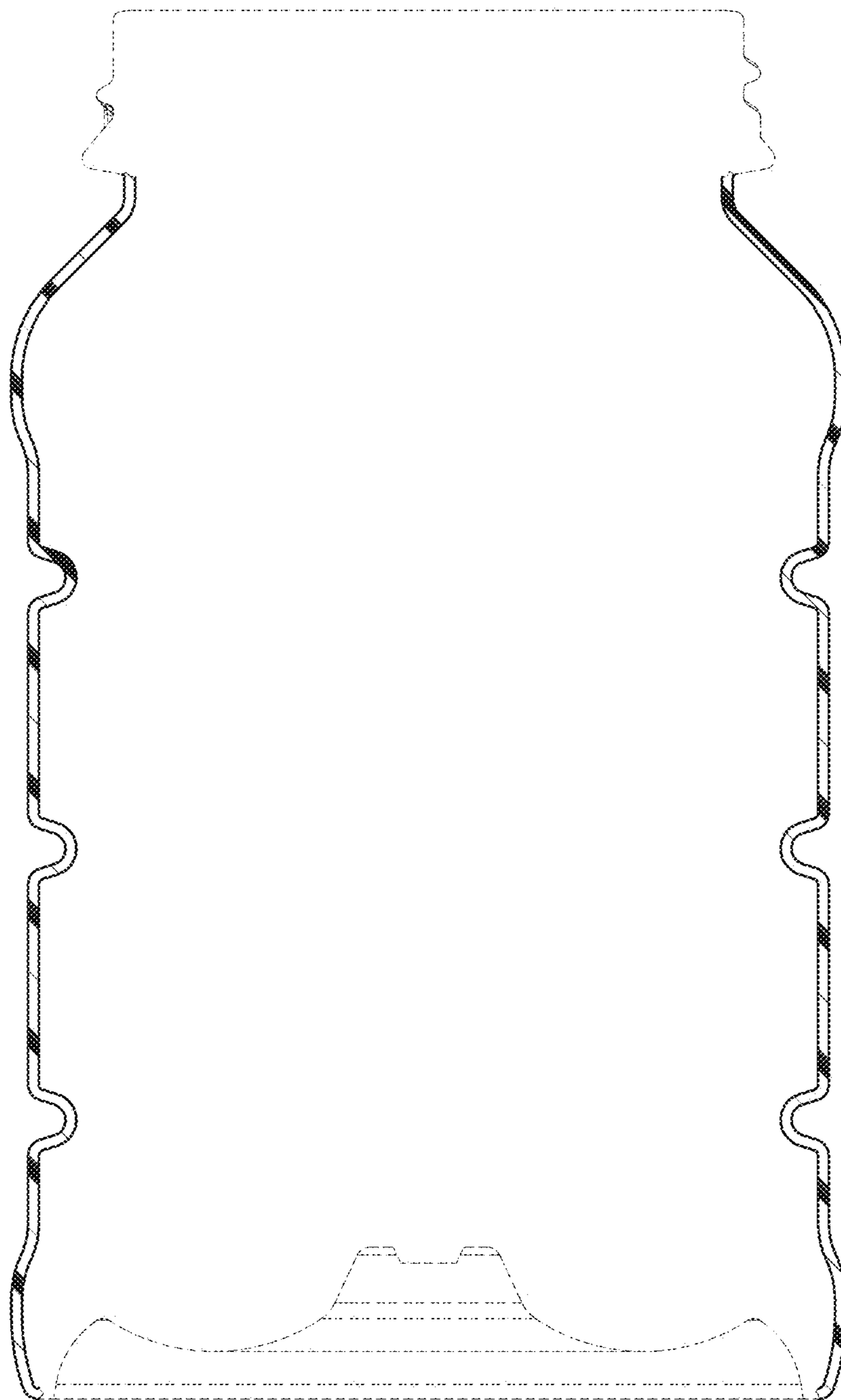


FIG - 3

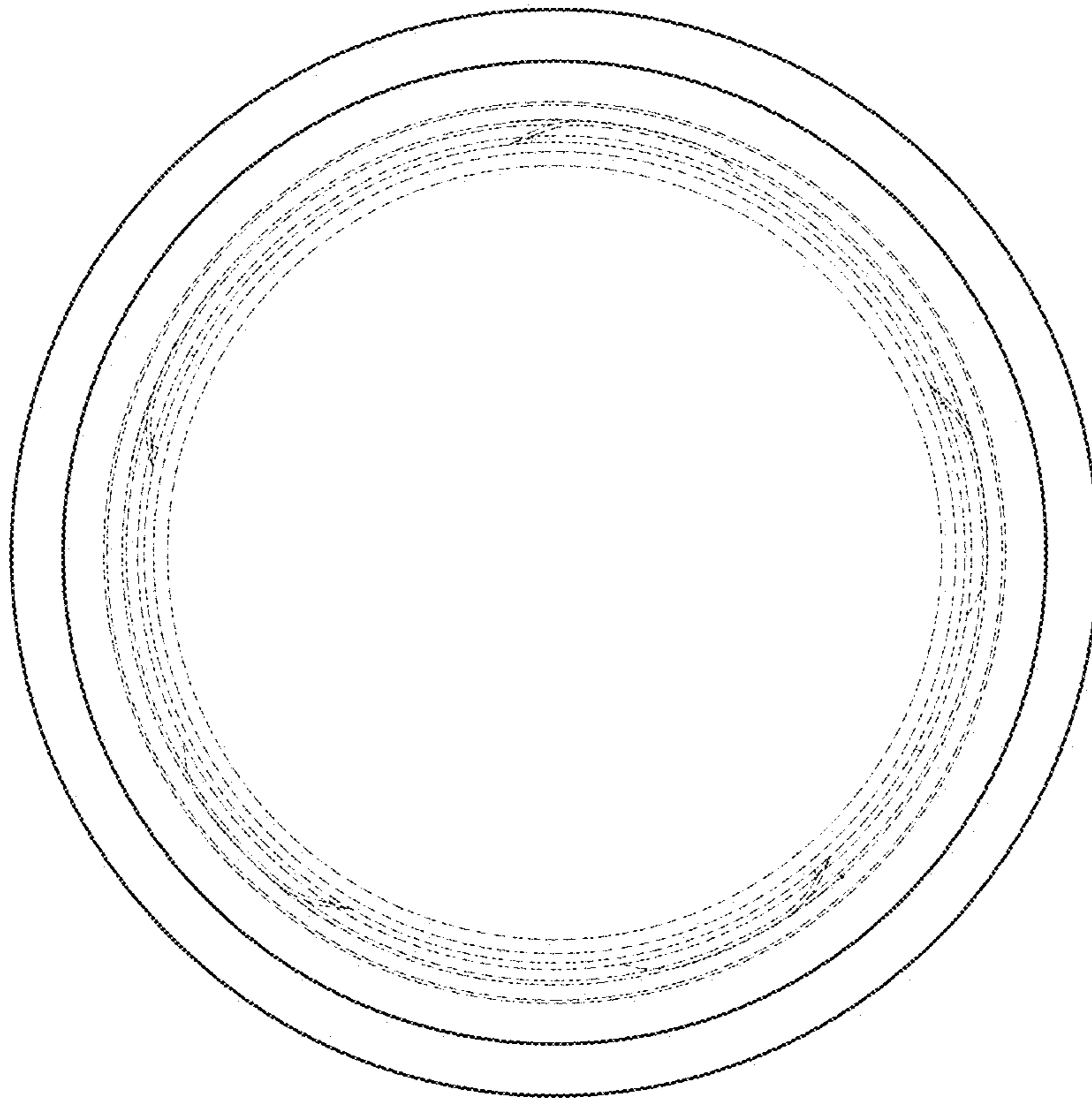


FIG - 4

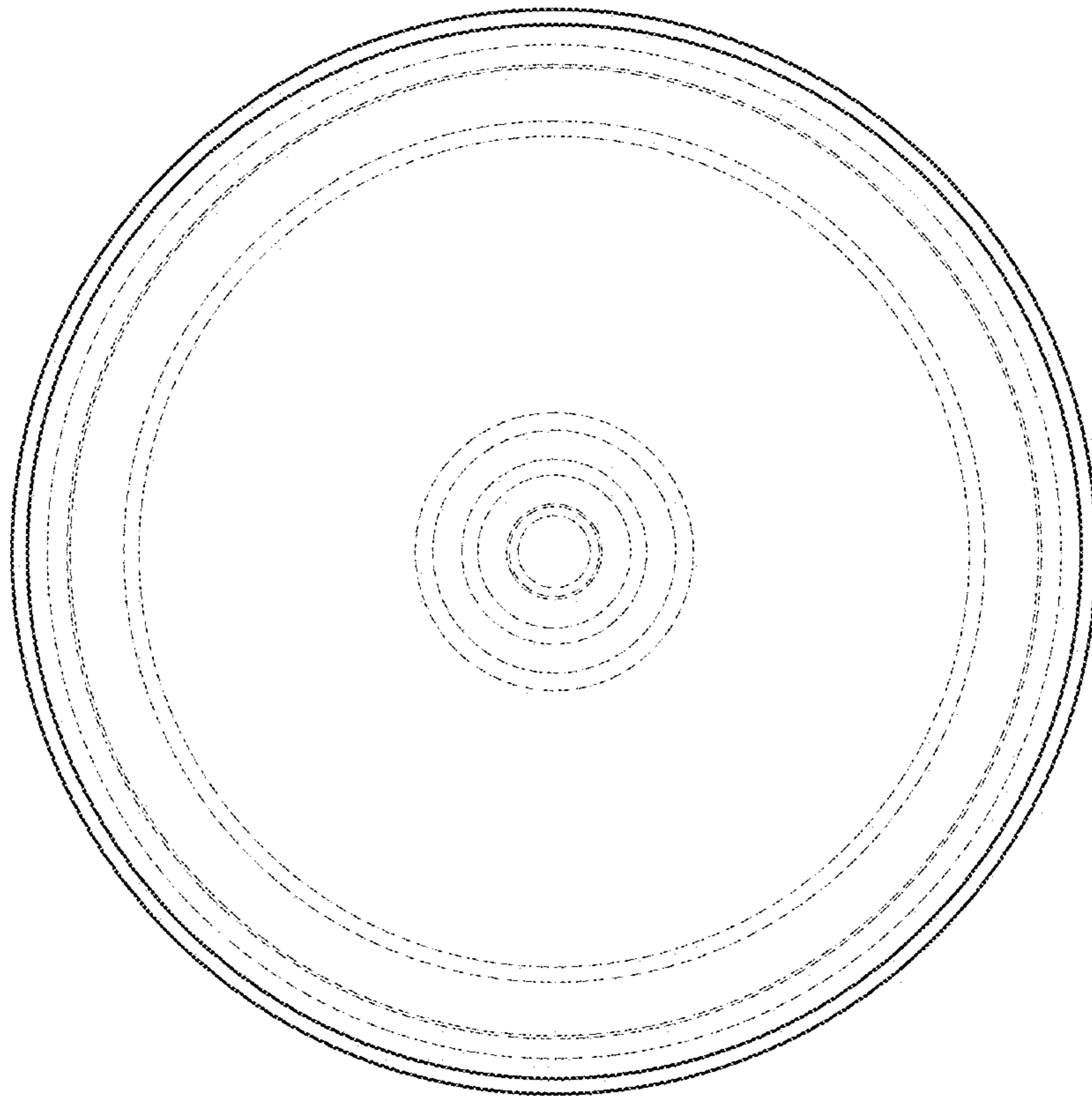


FIG - 5