



US00D906112S

(12) **United States Design Patent**
McFarlane et al.

(10) **Patent No.:** **US D906,112 S**

(45) **Date of Patent:** **** Dec. 29, 2020**

(54) **CONTAINER**

(71) Applicant: **AMCOR RIGID PACKAGING USA, LLC**, Ann Arbor, MI (US)

(72) Inventors: **Ronald McFarlane**, Sylvania, OH (US); **Peter Bates**, Sylvania, OH (US); **Richard J. Steih**, Jackson, MI (US)

(73) Assignee: **AMCOR RIGID PACKAGING USA, LLC**, Ann Arbor, MI (US)

(**) Term: **15 Years**

(21) Appl. No.: **29/722,616**

(22) Filed: **Jan. 31, 2020**

(51) **LOC (12) Cl.** **09-01**

(52) **U.S. Cl.**
USPC **D9/502**

(58) **Field of Classification Search**
USPC D9/434, 500, 502-503, 516, 530-531, D9/537-540, 549, 550, 556-558, 715, D9/719, 779-780

CPC B65D 1/00; B65D 1/02; B65D 1/0223; B65D 1/44; B65D 23/00; B65D 23/102; B65D 2501/00; B65D 2501/0009; B65D 2501/0018; B65D 2501/0036

See application file for complete search history.

(56) **References Cited**

U.S. PATENT DOCUMENTS

D200,444 S * 2/1965 Bijvoet et al. D34/39
3,297,194 A * 1/1967 Caldwell B65H 75/28
220/672

D209,631 S * 12/1967 Schaper et al. D34/39
3,464,546 A * 9/1969 Thomka B65D 25/14
206/524.3
D284,269 S * 6/1986 Goettner D9/500
D324,493 S * 3/1992 Nickerson D9/503
D450,244 S * 11/2001 Rashid D9/502
D815,947 S * 4/2018 Hurley D9/502
2004/0173565 A1 * 9/2004 Semersky B65D 1/44
215/382
2016/0346986 A1 * 12/2016 Van Dijck B29C 49/4273
2019/0009952 A1 * 1/2019 Pedmo B65D 41/0471

* cited by examiner

Primary Examiner — Dana Meyrow

(74) *Attorney, Agent, or Firm* — Harness, Dickey & Pierce, P.L.C.

(57) **CLAIM**

The ornamental design for a container, as shown and described.

DESCRIPTION

FIG. 1 is a front perspective view of a container showing the new design;

FIG. 2 is a front elevation view thereof, the rear elevation view, the right side elevation view and the left side elevation view being mirror images;

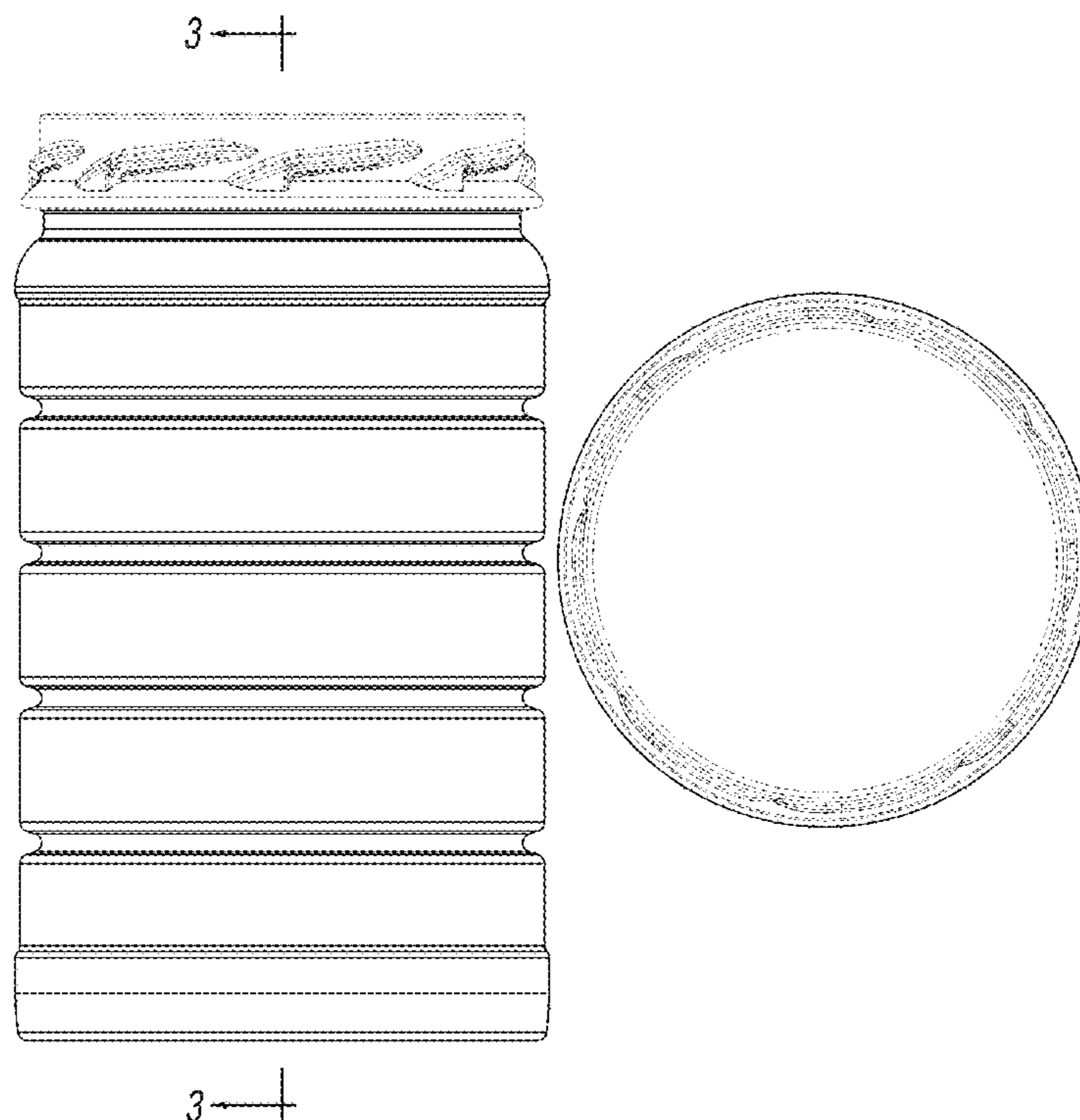
FIG. 3 is a cross-sectional view of the container along line 3-3 of FIG. 2;

FIG. 4 is a top plan view thereof; and,

FIG. 5 is a bottom plan view thereof.

The broken lines in the drawings illustrate portions of the container that form no part of the claimed design.

1 Claim, 5 Drawing Sheets



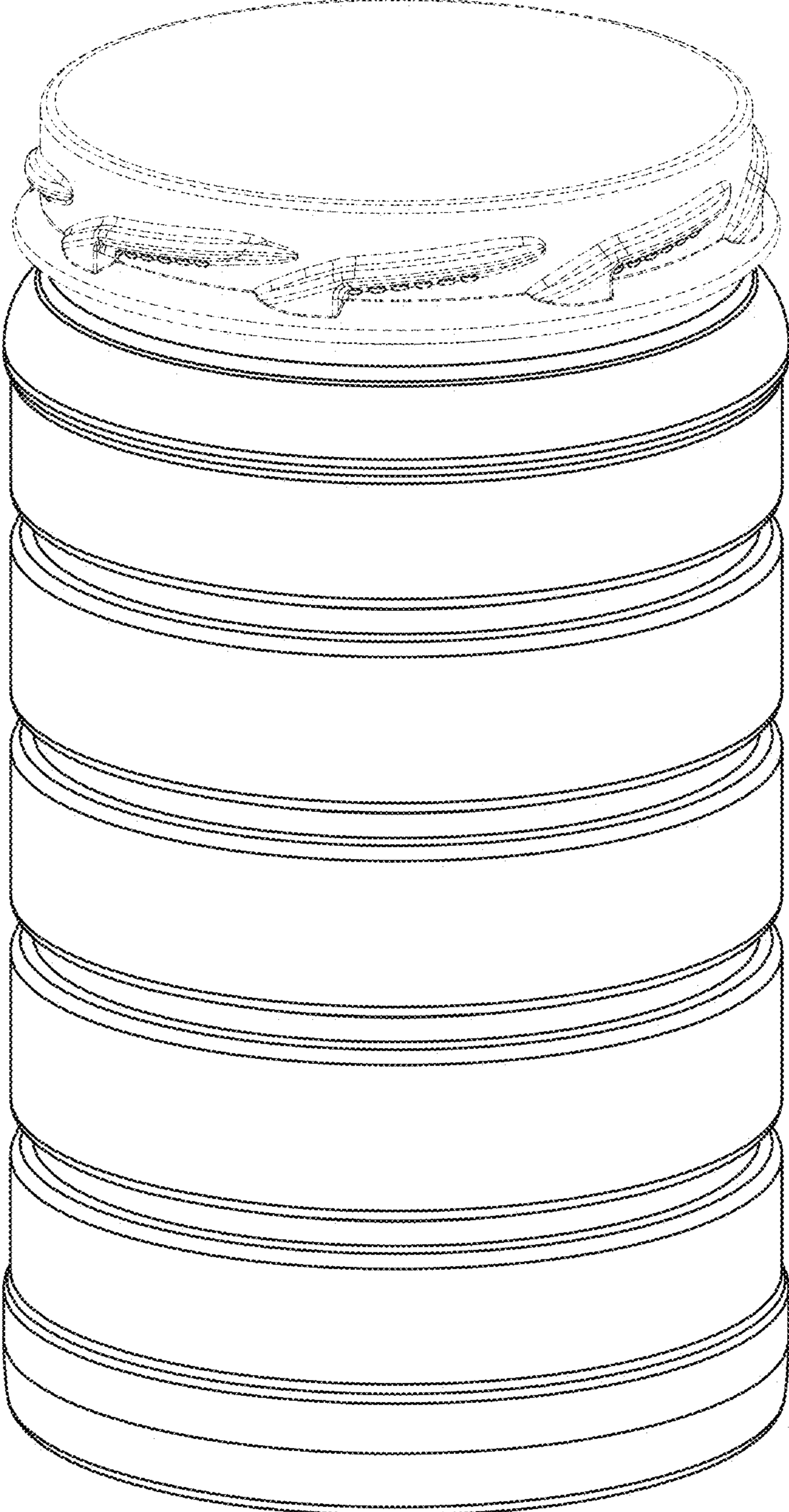


FIG - 1

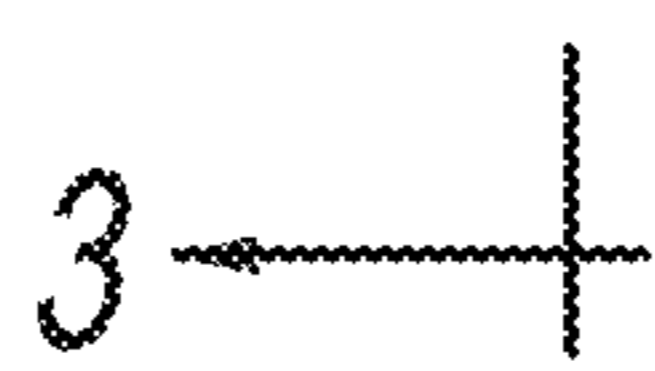
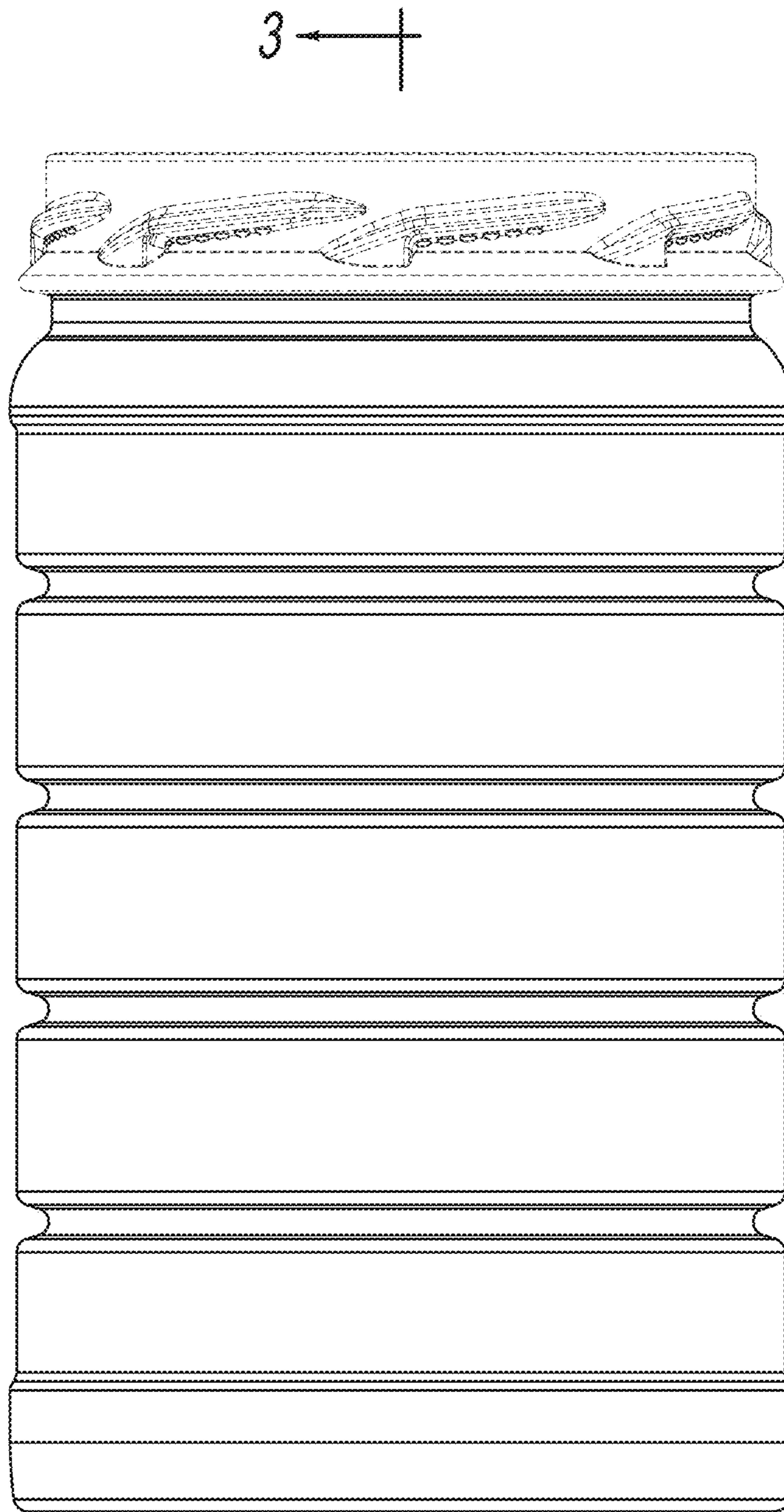


FIG - 2

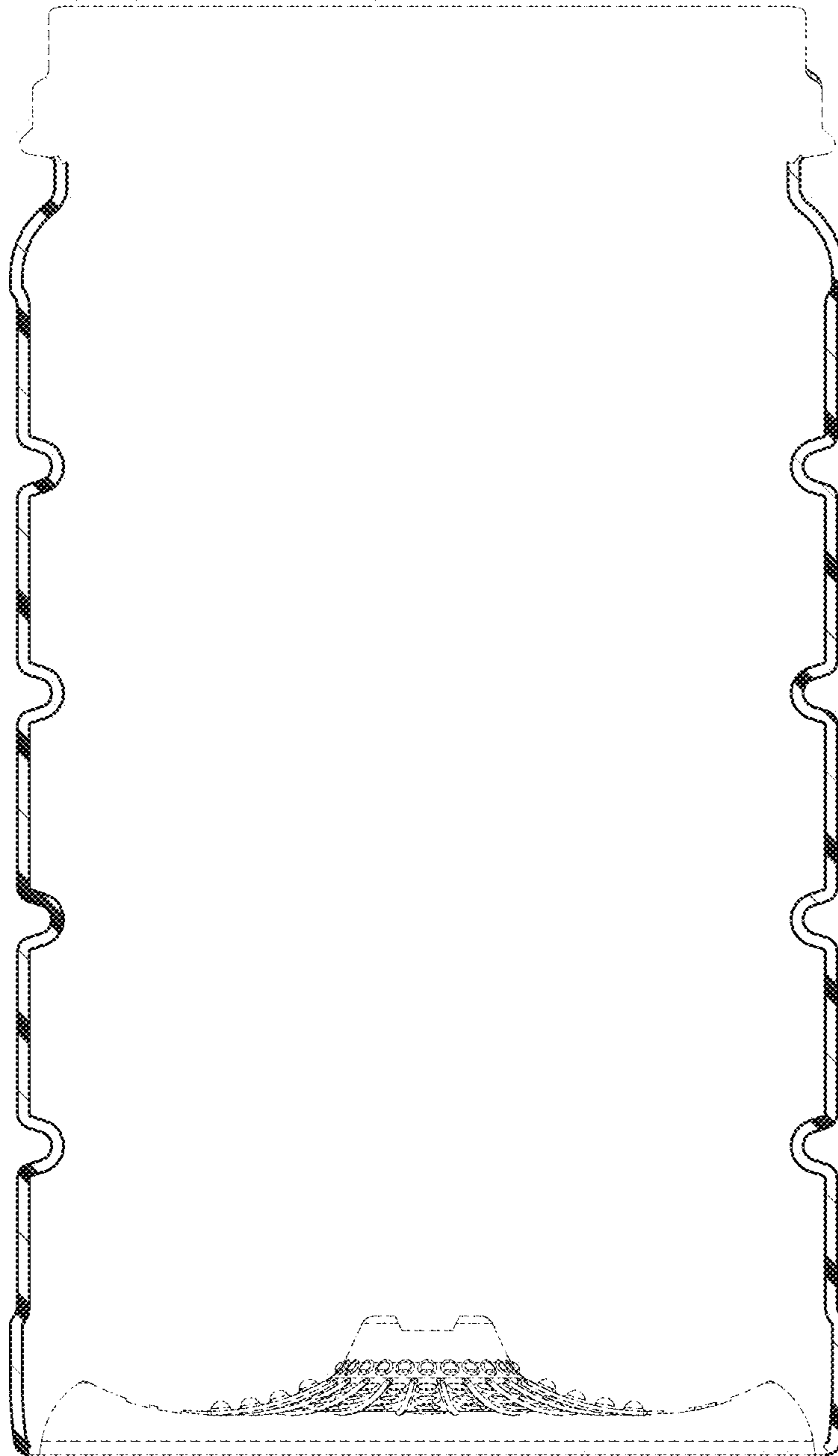


FIG - 3

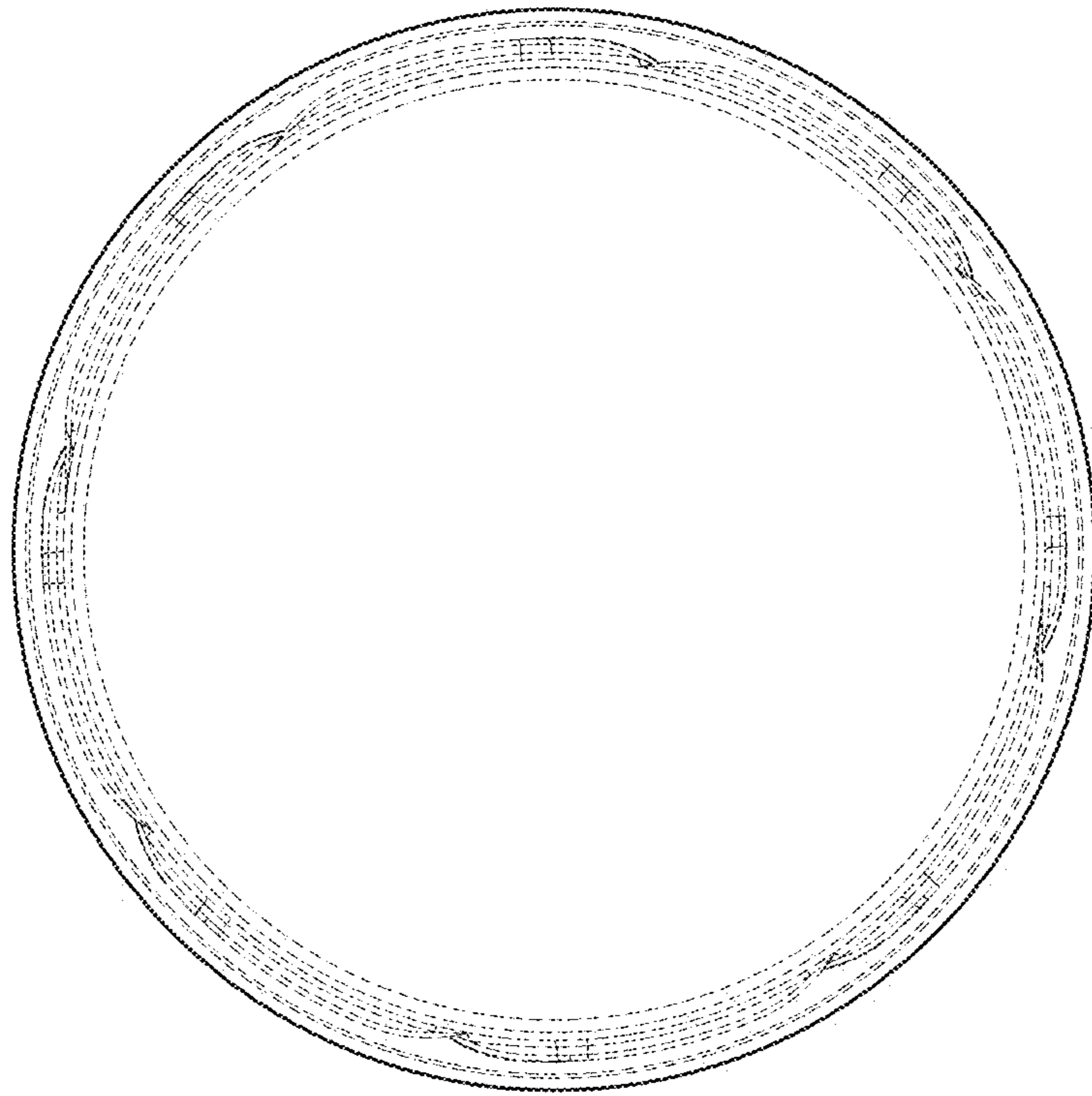


FIG - 4

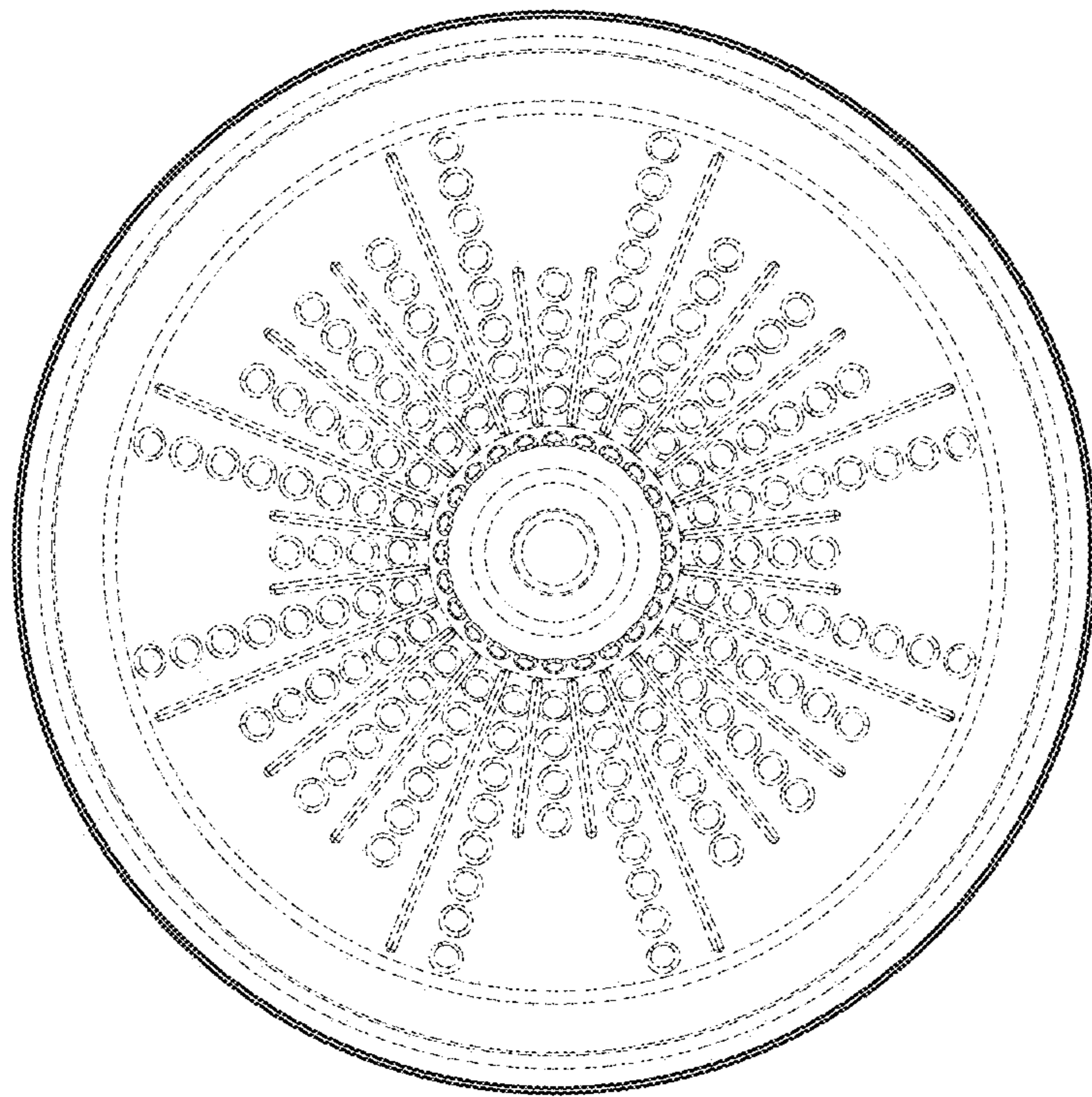


FIG - 5