



US00D906111S

(12) **United States Design Patent** (10) **Patent No.:** **US D906,111 S**
Griffin et al. (45) **Date of Patent:** **** Dec. 29, 2020**

(54) **CONTAINER BASE**
(71) Applicants: **Jeremy Griffin**, Lancaster, CA (US);
Jacob Griffin, Lancaster, CA (US)
(72) Inventors: **Jeremy Griffin**, Lancaster, CA (US);
Jacob Griffin, Lancaster, CA (US)
(**) Term: **15 Years**
(21) Appl. No.: **29/750,052**
(22) Filed: **Sep. 10, 2020**
(51) **LOC (12) Cl.** **09-07**
(52) **U.S. Cl.**
USPC **D9/454**
(58) **Field of Classification Search**
USPC D3/200, 201, 202, 203.1, 203.2, 318,
D3/320; D7/509, 510, 511, 601, 602,
D7/624.1, 678, 679, 372, 387, 391, 392,
D7/392.1, 396.1, 396.2, 397, 398;
D9/428, 434, 435, 436, 439, 440, 443,
D9/447, 449, 450, 454, 455; D27/195;
D24/220; D30/128, 129
CPC B65D 81/261; B65D 21/0217; B65D
21/0223; B65D 25/04; B65D 25/24;
B65D 43/0204; B65D 65/466; B65D
85/30; B65D 85/70; B65D 2543/00092;
B65D 2543/00296; B65D 2543/00361;
B65D 2543/00416; B65D 2543/00574;
B65D 47/122; B65D 47/066; B65D
1/0223; B65D 1/02; A47J 47/145; A47G
19/2211; A47G 19/2216; A47G 19/22;
A47G 2019/2238
See application file for complete search history.

3,606,074 A * 9/1971 Hayes B65D 25/24
220/212
D227,558 S * 7/1973 Mathews D9/434
D229,735 S * 1/1974 Croyle D7/397
D277,826 S * 3/1985 Brown, Sr. D9/439
D299,010 S * 12/1988 Wall D9/435
D310,028 S * 8/1990 Brandt D9/434
D363,665 S * 10/1995 Goto D7/511
D370,629 S * 6/1996 Lynch D9/439
D391,119 S * 2/1998 Rapaz D7/601
5,839,598 A * 11/1998 Mitchell B65D 1/16
220/321
D507,937 S * 8/2005 Dais D7/602
D562,683 S * 2/2008 Sweeton D9/454
D595,570 S * 7/2009 Moretti D9/434
D604,613 S * 11/2009 Garboni D9/447
D606,811 S 12/2009 Furlong
D623,943 S * 9/2010 Weld D9/454
(Continued)

OTHER PUBLICATIONS

INNO Pil Grinder: Site Visited [Nov. 20, 2020]. Available from
Internet URL: <https://www.walmart.com/ip/INNO-Pills-Medicine-Crusher-Grinder-Splitter-Tablet-Divider-Cutter-Storage-Box-Case/504917660>.*

(Continued)

Primary Examiner — Catherine S Posthauer
(74) *Attorney, Agent, or Firm* — Todd R. Miller

(57) **CLAIM**

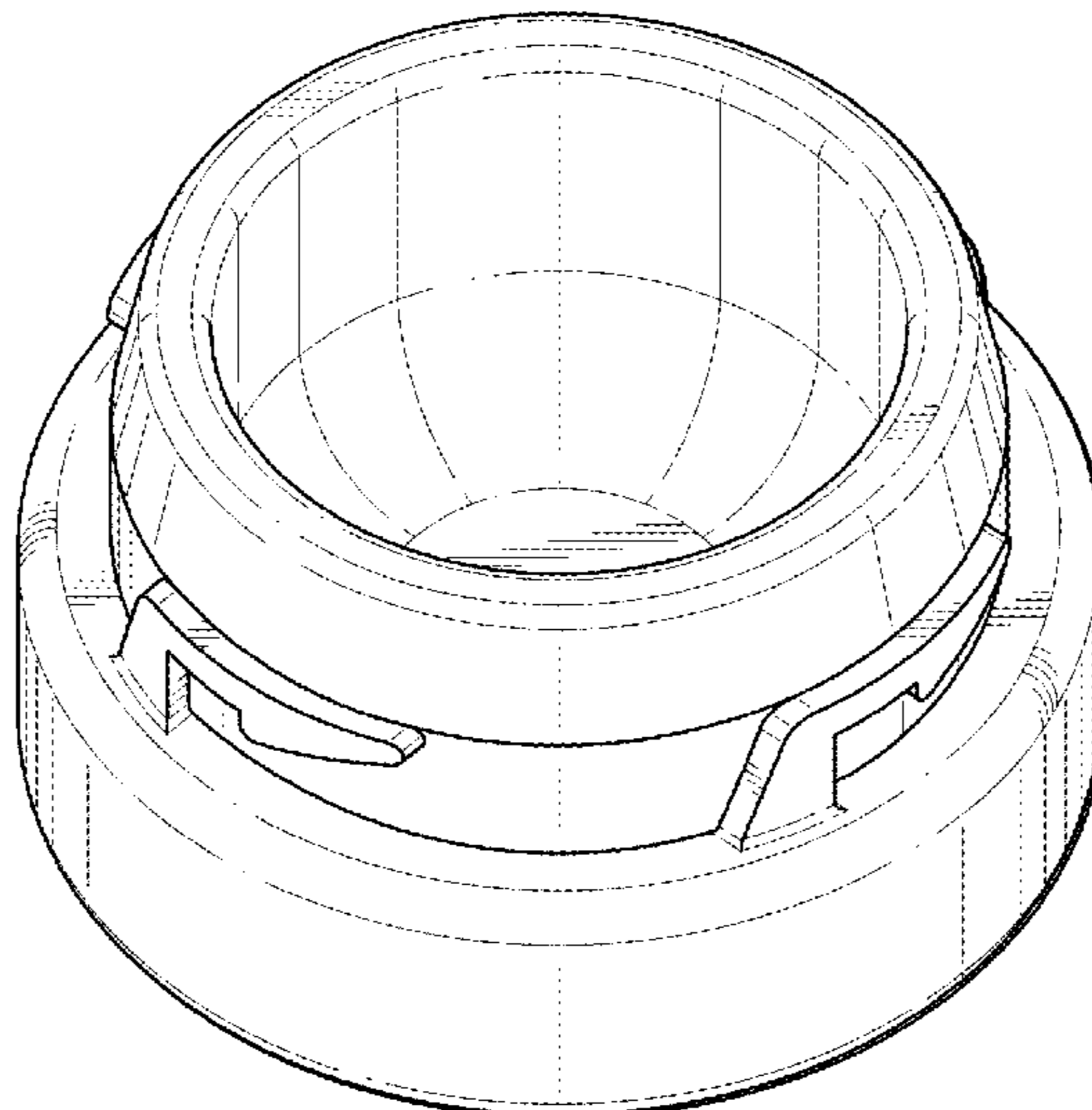
The ornamental design for a container base, as shown and described.

DESCRIPTION

FIG. 1 is a top perspective view of a container base showing our new design;
FIG. 2 is a top view thereof;
FIG. 3 is a side view thereof; and,
FIG. 4 is a bottom view thereof.
The broken lines are shown for the purpose of illustrating parts of the article that form no part of the claimed design.

1 Claim, 3 Drawing Sheets

(56) **References Cited**
U.S. PATENT DOCUMENTS
2,489,766 A * 11/1949 Ernestus B65D 25/24
220/634
3,311,248 A 3/1967 Marchant



(56)

References Cited

U.S. PATENT DOCUMENTS

D632,174 S * 2/2011 Charbonnet D9/447
 D679,990 S 4/2013 O'Brien
 8,424,711 B2 * 4/2013 Charbonnet B65D 43/0208
 220/713
 D691,848 S * 10/2013 Trudeau D7/392.1
 8,672,158 B2 3/2014 Taber
 D716,003 S * 10/2014 Brown D30/129
 D731,312 S * 6/2015 Shimizu D9/439
 D732,822 S * 6/2015 Griffin D3/273
 D739,741 S 9/2015 Staab
 D772,019 S * 11/2016 Williams D7/624.1
 D777,529 S * 1/2017 Kellow, Jr. D7/624.1
 D781,151 S 3/2017 Lerman
 D784,072 S * 4/2017 Baron D7/392.1
 D797,559 S 9/2017 Lerman
 D825,859 S 8/2018 Teller
 D834,883 S * 12/2018 Lane D7/396.2
 D835,508 S 12/2018 Burrowes
 D854,887 S 6/2019 Boroski
 D855,203 S 6/2019 Katsumata

D855,707 S * 8/2019 Ross D21/487
 D865,529 S 11/2019 Tidwell
 D872,528 S * 1/2020 Hsu D7/398
 D876,186 S * 2/2020 Marantis D7/700
 D886,635 S 6/2020 Kilduff
 10,737,841 B1 8/2020 Duoung
 2002/0079417 A1 * 6/2002 Rousselet B65D 25/24
 248/346.01
 2010/0000961 A1 * 1/2010 Harrower B65D 47/043
 215/355
 2010/0038337 A1 * 2/2010 Garboni B65D 55/0818
 215/253
 2016/0030285 A1 2/2016 Miceli
 2017/0202335 A1 * 7/2017 Johnson A45D 33/006

OTHER PUBLICATIONS

Twist Pill Crusher: Announced [Sep. 12, 2017 (online). Site Visited [Nov. 20, 2020]. Available from Internet URL: <https://www.vitalitymedical.com/twist-pill-crusher.html>.*

* cited by examiner

FIG. 1

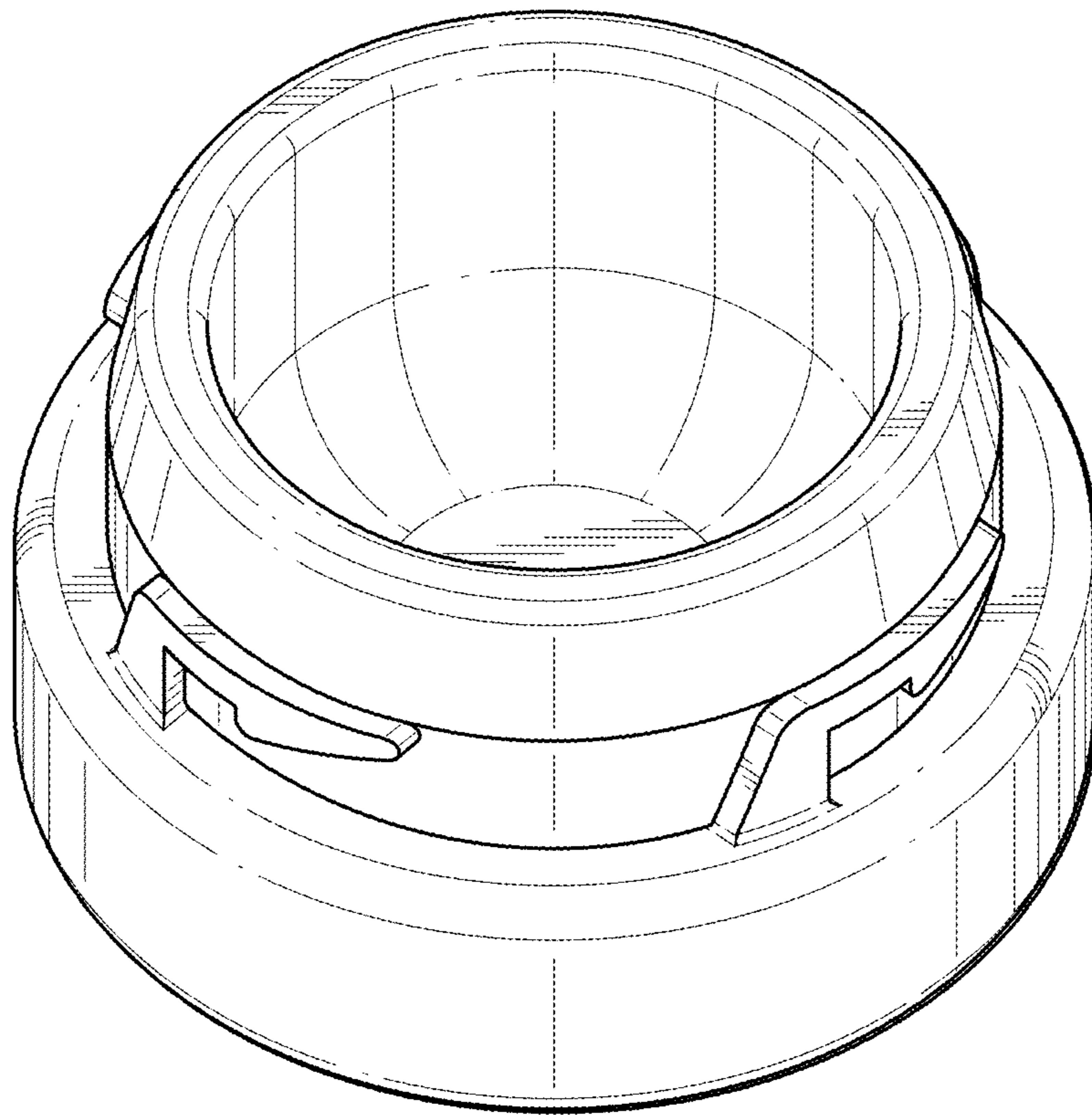


FIG. 2

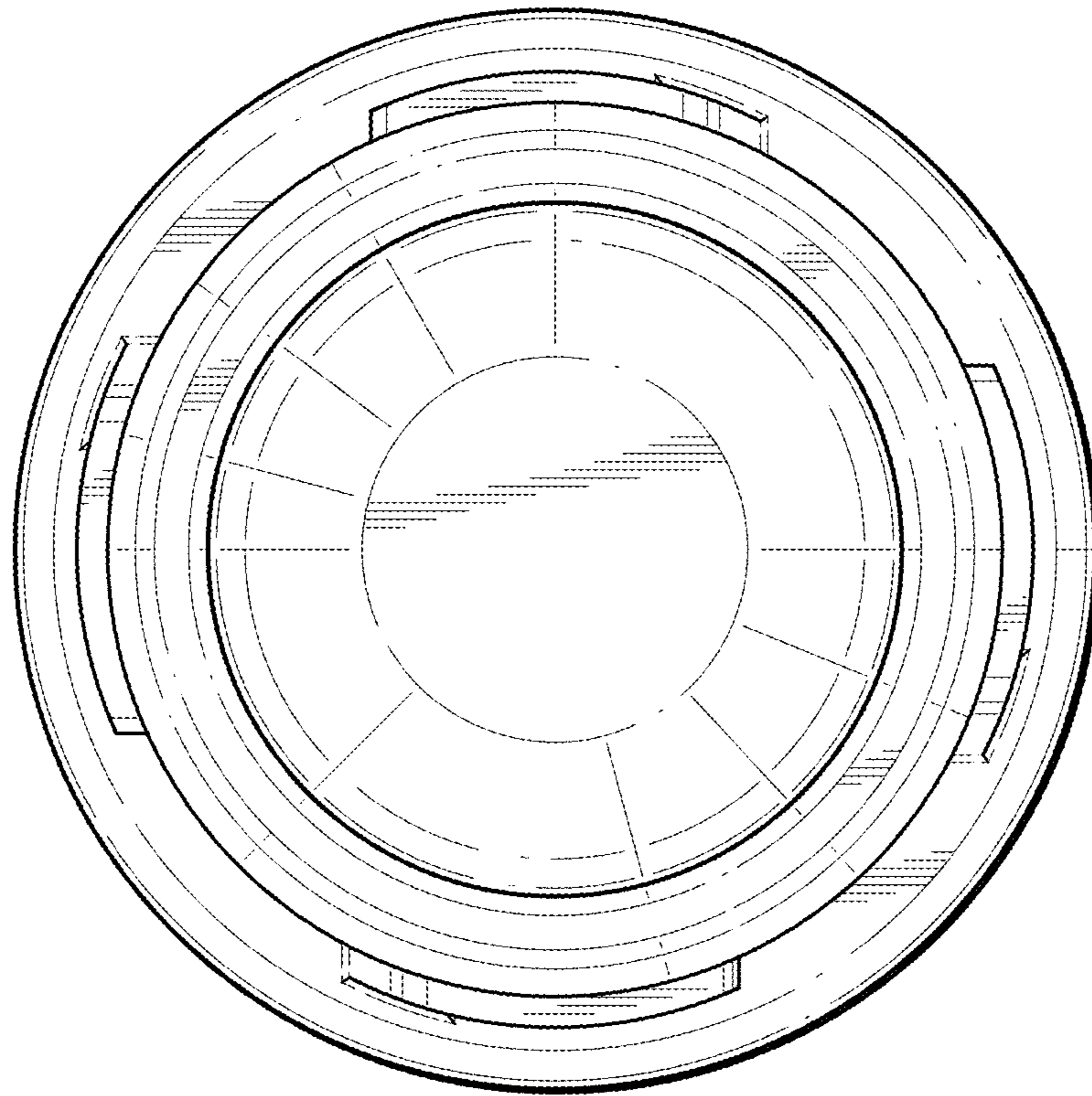


FIG. 3

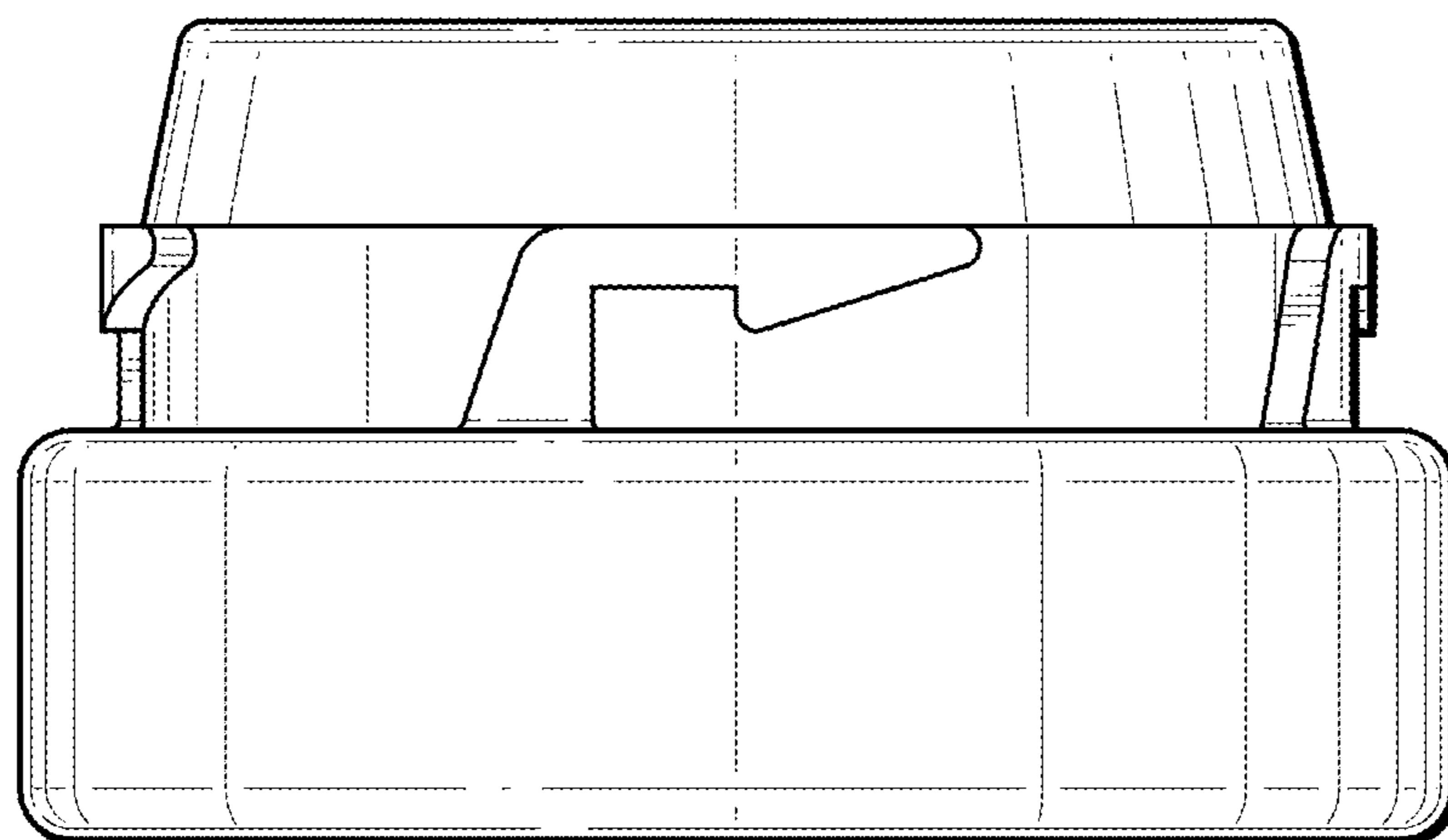


FIG. 4

