



US00D906106S

(12) **United States Design Patent** (10) **Patent No.:** **US D906,106 S**
Marantis et al. (45) **Date of Patent:** **** Dec. 29, 2020**

(54) **CAP SEAL FOR BOTTLE CAP**
(71) Applicant: **CORNERSTONE CM, INC.**, Poland, OH (US)
(72) Inventors: **Michael G. Marantis**, Poland, OH (US); **Richard A. Ponton**, New Milford, CT (US); **Joshua W. Hubbard**, New Milford, CT (US); **Jonathan P. Richards**, Derby, CT (US)
(73) Assignee: **CORNERSTONE CM, INC.**, Poland, OH (US)

D168,261 S * 11/1952 Gruen D7/392.1
D197,575 S * 2/1964 Gulotta D7/392.1
3,122,256 A * 2/1964 Orr B65D 1/10
215/329
D205,678 S 9/1966 Williams
D229,735 S 1/1974 Croyle
D266,389 S * 10/1982 Jensen D7/392.1
D270,596 S * 9/1983 Gallagher D7/392.1
D301,731 S 6/1989 Allen
D307,115 S 4/1990 Waymack
D396,006 S 7/1998 Harris
D423,307 S 4/2000 Dittmann
D433,332 S 11/2000 Weber

(Continued)

(**) Term: **15 Years**
(21) Appl. No.: **29/713,836**
(22) Filed: **Nov. 19, 2019**

OTHER PUBLICATIONS

Design Within Reach. No date specified. https://www.dwr.com/cookware/terra-cotto-casserole/2516393.html?lang=en_US (Year: 0).*

(Continued)

Related U.S. Application Data

(63) Continuation of application No. 29/659,047, filed on Aug. 6, 2018, now Pat. No. Des. 876,186, which is a continuation of application No. 29/591,655, filed on Jan. 23, 2017, now Pat. No. Des. 829,065.

Primary Examiner — Darcey E Gottschalk
(74) *Attorney, Agent, or Firm* — Tucker Ellis LLP

(51) **LOC (12) Cl.** **09-07**
(52) **U.S. Cl.**
USPC **D9/443**; D9/438; D9/454
(58) **Field of Classification Search**
USPC D7/392.1, 396.2, 900; D9/434–436, 440, D9/443–447, 452–454, 499, 438; D23/260, 261
CPC B65D 51/24
See application file for complete search history.

(57) **CLAIM**

The ornamental design for a cap seal for bottle cap, as shown and described.

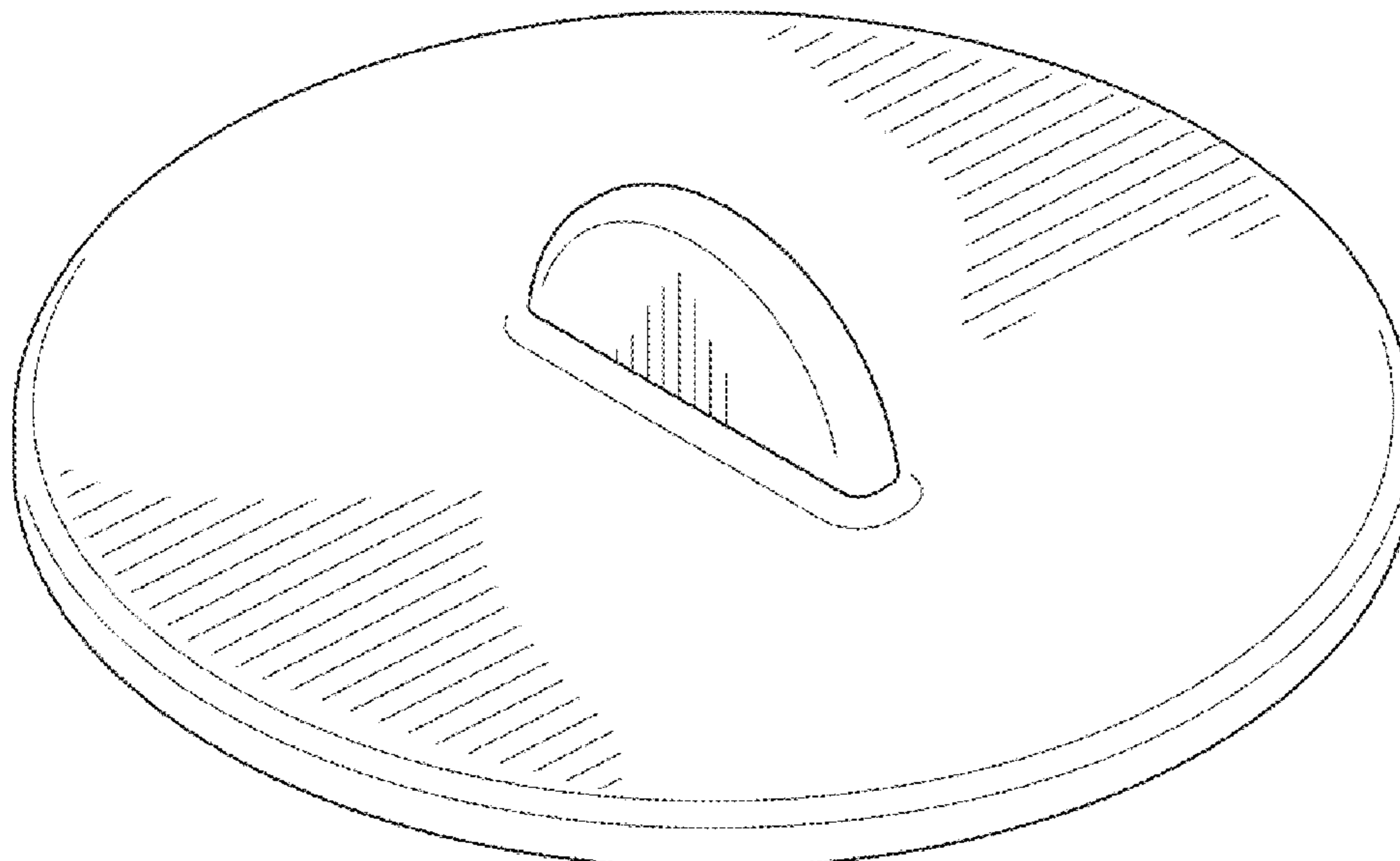
DESCRIPTION

FIG. 1 is a top front perspective view of a cap seal for a bottle cap showing our new design;
FIG. 2 is a front view of the cap seal illustrated in FIG. 1;
FIG. 3 is rear view of the cap seal illustrated in FIG. 1;
FIG. 4 is a top view of the cap seal illustrated in FIG. 1;
FIG. 5 is a bottom view of the cap seal illustrated in FIG. 1;
FIG. 6 is a left side view of the cap seal illustrated in FIG. 1; and,
FIG. 7 is a right side view of the cap seal illustrated in FIG. 1.

(56) **References Cited**
U.S. PATENT DOCUMENTS

D126,200 S 12/1939 Eisenberg
D158,155 S * 4/1950 Tupper D7/392.1

1 Claim, 4 Drawing Sheets



(56)

References Cited

U.S. PATENT DOCUMENTS

D445,687 S * 7/2001 Gilbertson D7/392.1
 D446,419 S * 8/2001 Ming-Shiue D7/392.1
 D447,410 S 9/2001 Malmborg
 D480,600 S * 10/2003 Lillelund D7/392.1
 D513,549 S 1/2006 Schuster
 D527,219 S 8/2006 Trombly
 D528,192 S * 9/2006 Nicholson D23/260
 D547,657 S 7/2007 Tacchella
 D550,030 S * 9/2007 Peterson D7/392.1
 D589,764 S 4/2009 Randolph
 D612,197 S 3/2010 Chan
 D637,080 S 5/2011 Brooks
 D654,152 S 2/2012 Schulz
 D681,460 S 5/2013 Kim
 D689,735 S * 9/2013 Redfern D7/392.1
 D713,247 S 9/2014 Webster
 D716,653 S 11/2014 Balembois
 D717,104 S * 11/2014 Redfern D7/392.1
 D718,136 S 11/2014 Harrity
 D732,140 S 6/2015 Tempel
 D738,210 S 9/2015 Tanner
 D744,335 S 12/2015 Rigollet
 D748,472 S * 2/2016 Seybel D9/434
 D753,489 S 4/2016 Shaw
 D757,547 S 5/2016 Biswas
 9,371,161 B2 * 6/2016 Rudy B65D 41/16
 D767,387 S * 9/2016 Wyatt D9/443
 D770,281 S 11/2016 Kim
 D772,025 S 11/2016 Salzi

D774,630 S 12/2016 Mehari
 D792,563 S 7/2017 Coronado
 D810,501 S * 2/2018 Kastner D7/392.1
 D819,787 S * 6/2018 Yeater D23/260
 D826,630 S * 8/2018 Wong D7/391
 D829,065 S 9/2018 Marantis
 D830,117 S * 10/2018 Shieh D7/391
 D831,415 S * 10/2018 Hansen D7/392.1
 D839,666 S * 2/2019 Bradshaw D7/396.2
 D845,446 S * 4/2019 Seybel D23/260

OTHER PUBLICATIONS

Amazon. uxcell Kitchen Sink Drain Stopper Rubber Seal 80mm Stainless Steel Sealing Lid for Kitchen Sink. Aug. 12, 2019. <https://www.amazon.com/uxcell-Kitchen-Stopper-Stainless-Sealing/dp/B07WD2CF14> (Year: 2019).*

Target. OXO Sink Stopper Strainer—Charcoal. No date specified. <https://www.target.com/p/oxo-sink-stopper-strainer-charcoal/-/A-16728624> (Year: 0).*

Lowe's. Danco White Bathroom Sink Stopper. No date specified. <https://www.lowes.com/pd/Danco-White-Bathroom-Sink-Stopper/3407798> (Year: 0).*

CP Lab Safety, ECO Funnels. 2017 (earliest online date), [site visited Dec. 21, 2017]; available from Internet, URL:<https://www.calpaclab.com/eco-funnels/>. Year: 2017.

Grainger; Funnel Threaded Adapter; 2017; Fleet and vehicle maintenance; Copyright 1994-2017 W.W. Grainger, Inc. All Rights Reserved; 3 pages.

* cited by examiner

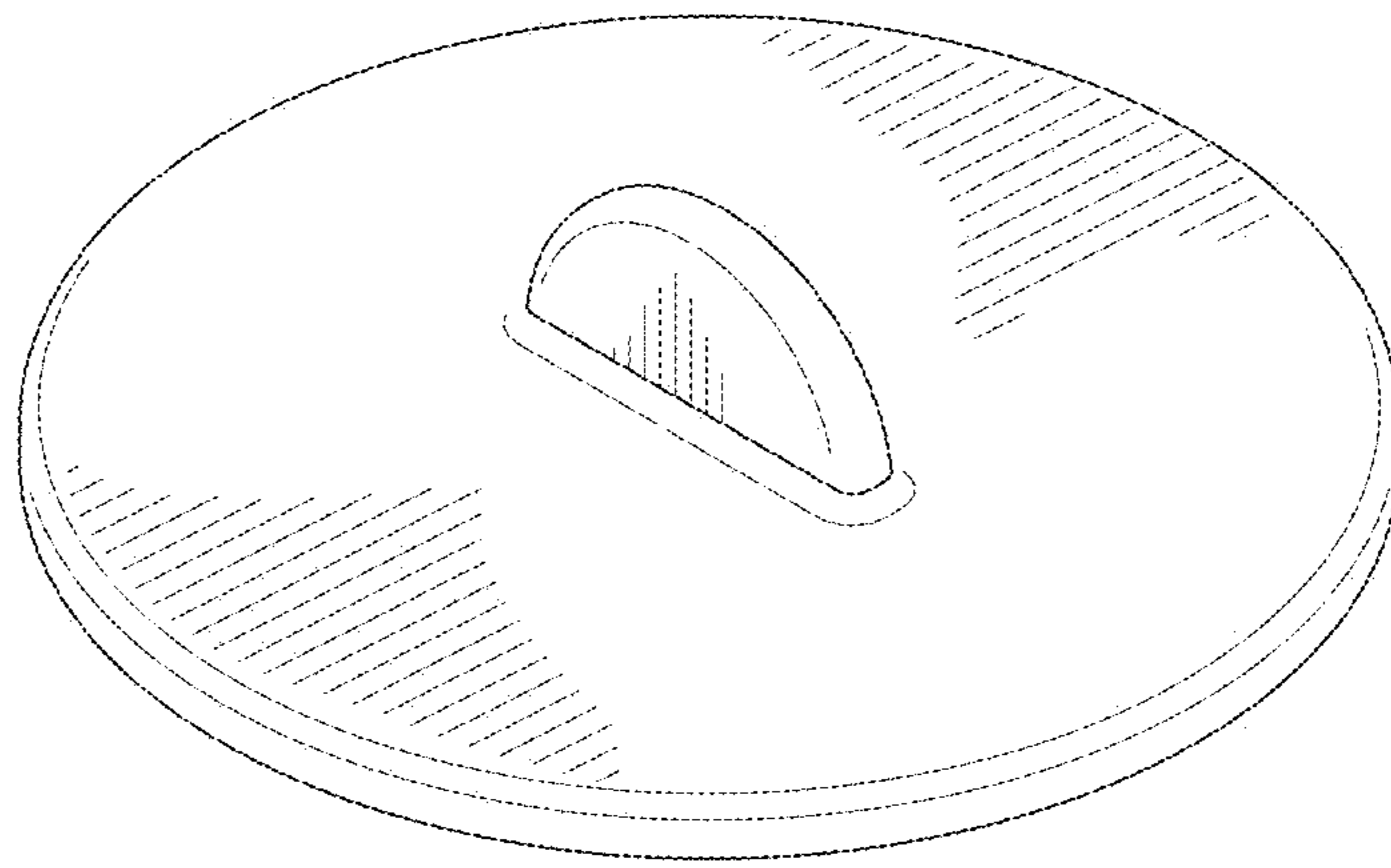


FIG. 1

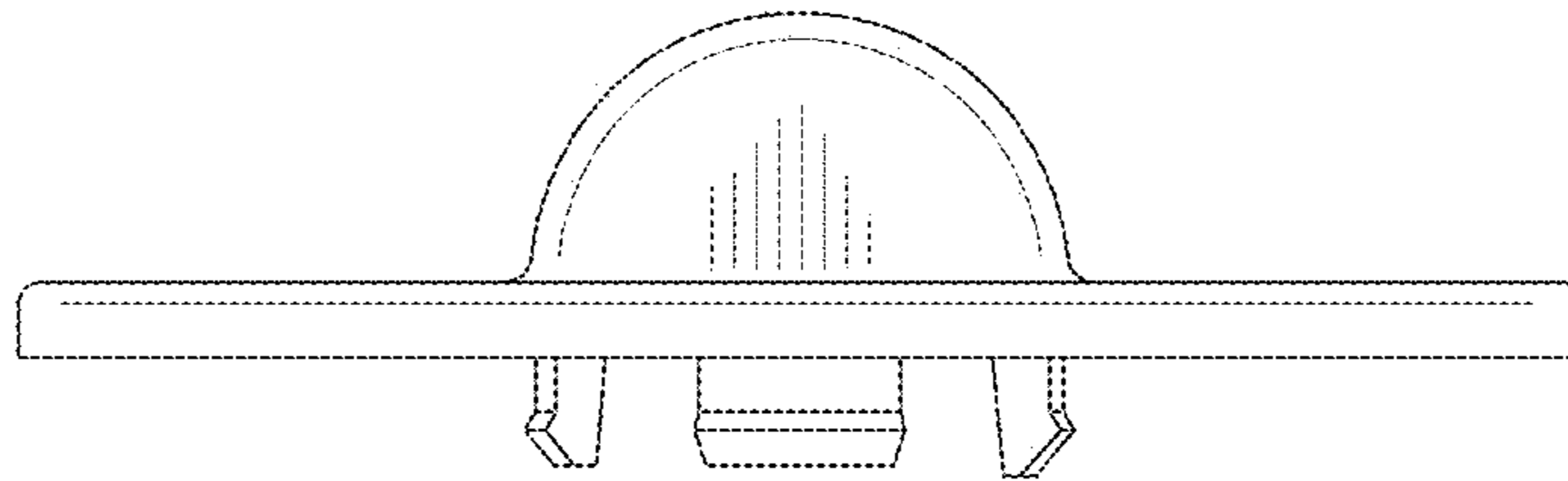


FIG. 2

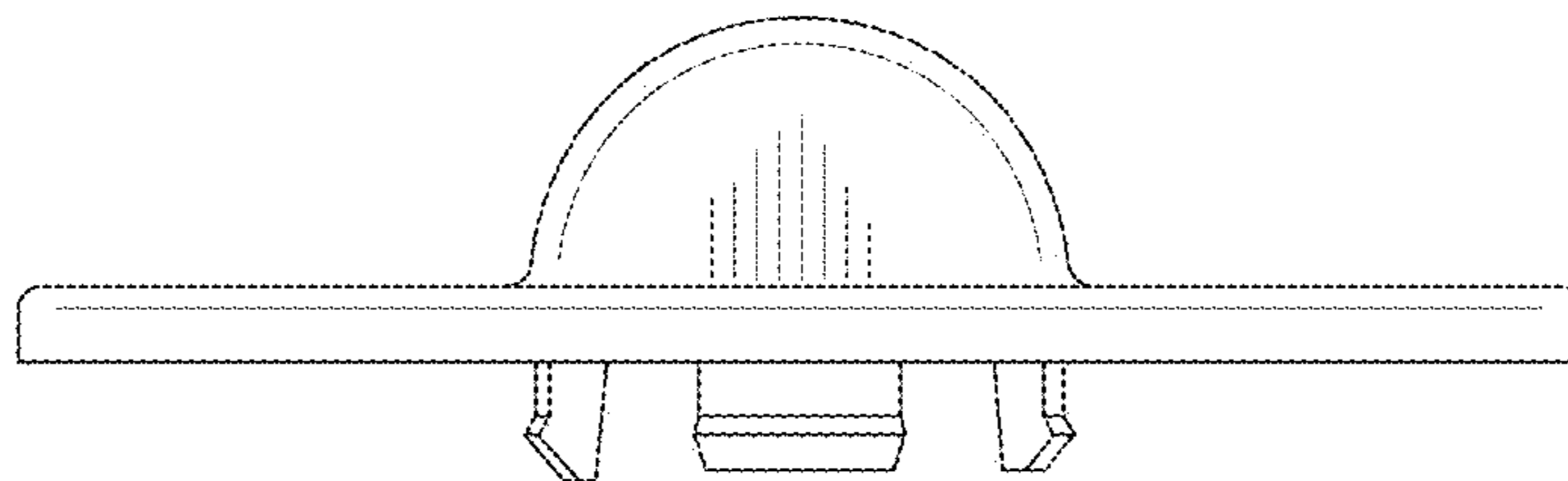


FIG. 3

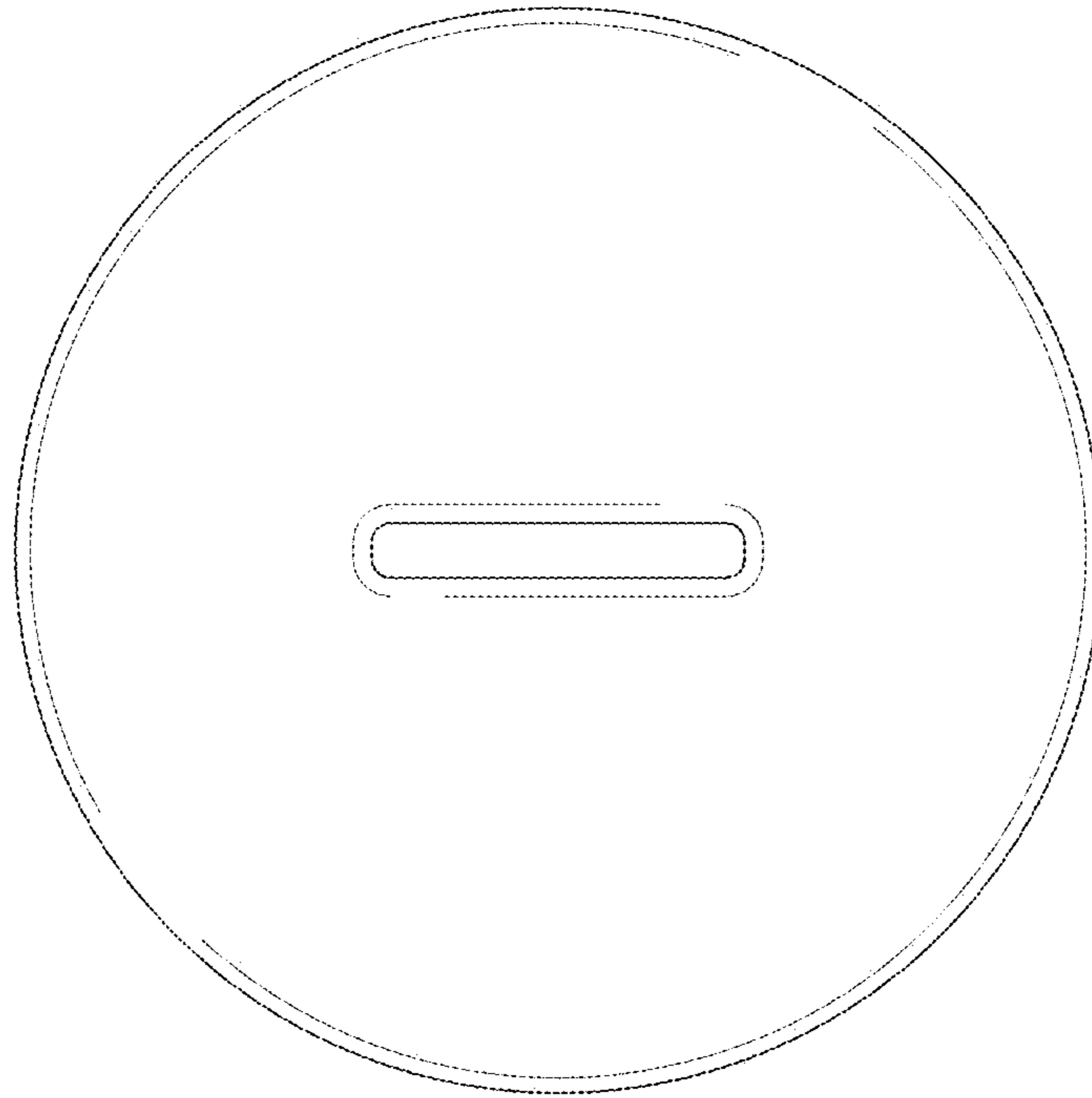


FIG. 4

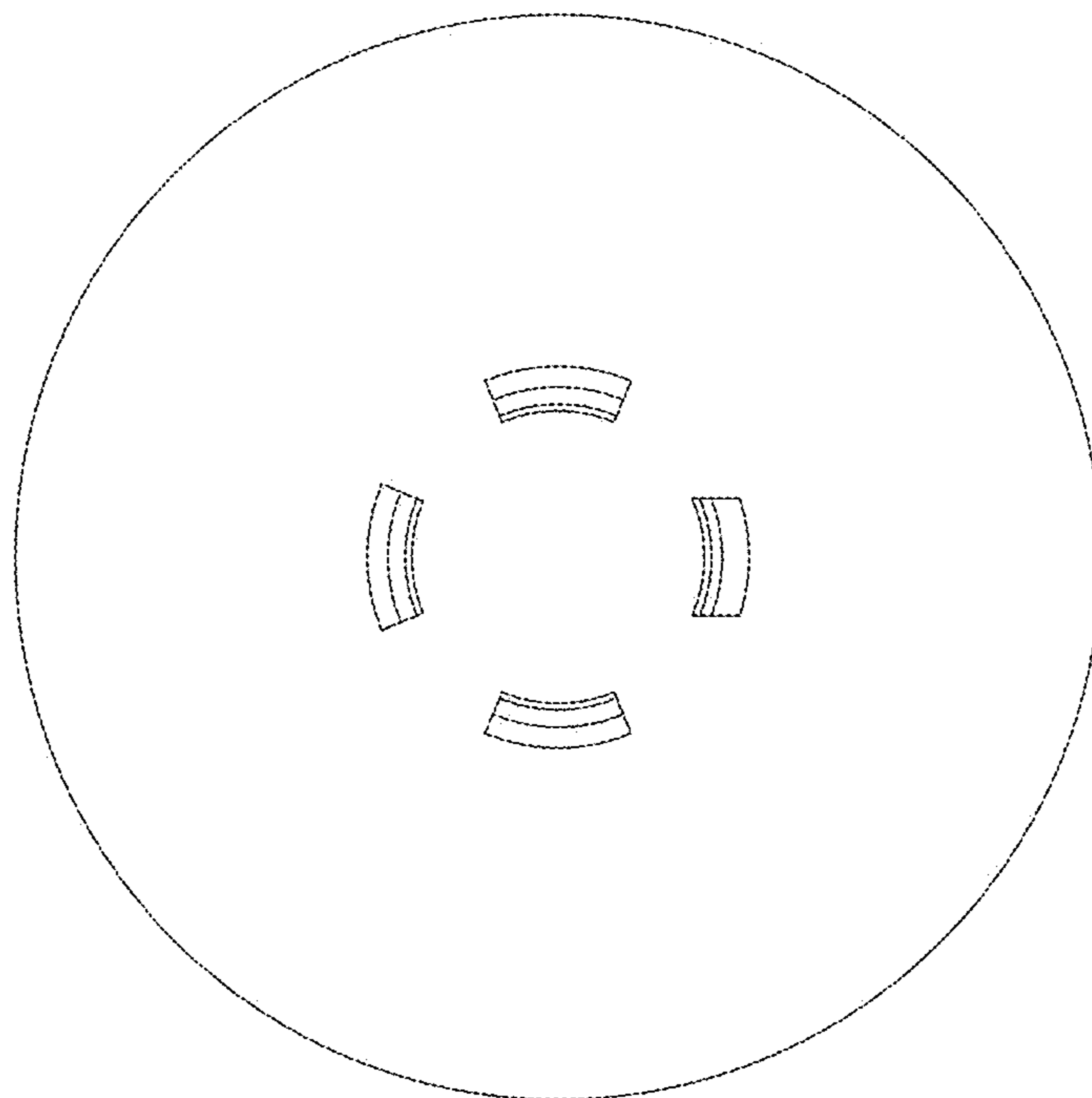


FIG. 5

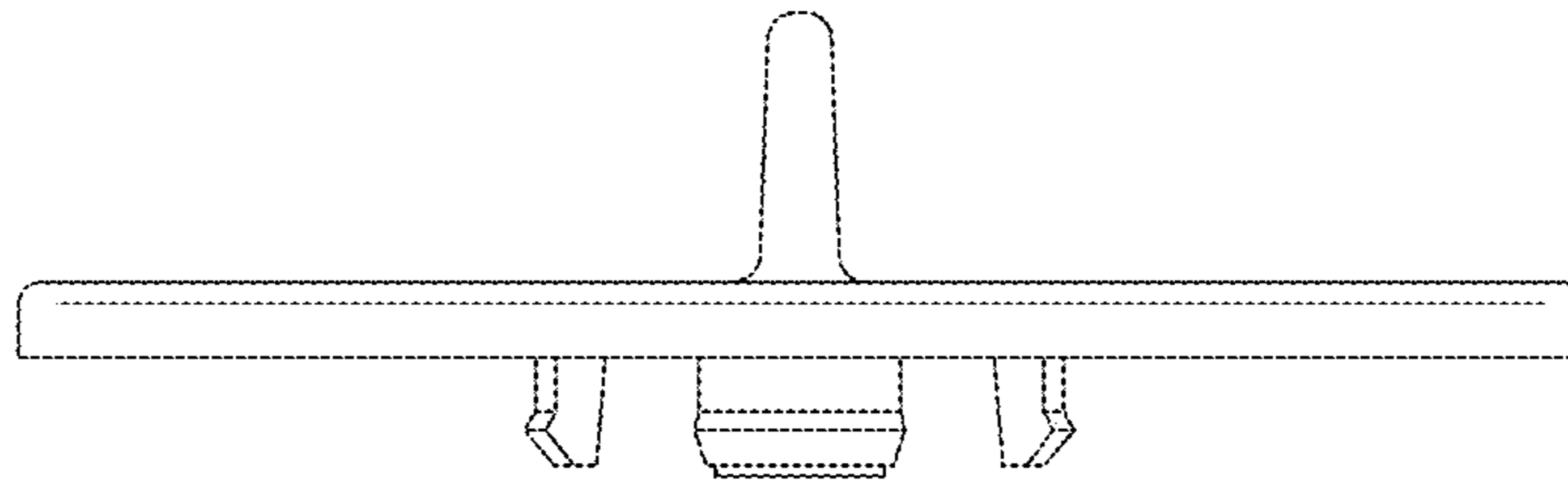


FIG. 6

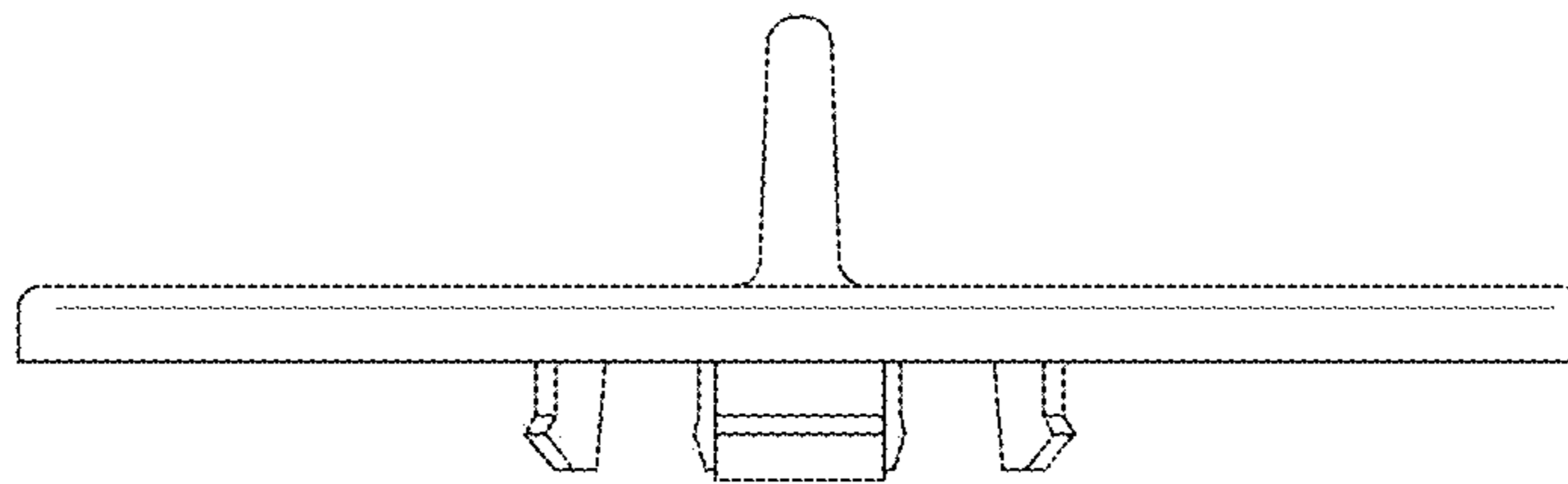


FIG. 7