



US00D906103S

(12) **United States Design Patent**  
**Ping Teoh**

(10) **Patent No.:** **US D906,103 S**

(45) **Date of Patent:** **\*\* Dec. 29, 2020**

(54) **COSMETIC CONTAINER**

(71) Applicant: **REJI PTE. LTD.**, Singapore (SG)

(72) Inventor: **Evelyn Ee Ping Teoh**, Singapore (SG)

(73) Assignee: **REJI PTE. LTD.**, Singapore (SG)

(\*\*) Term: **15 Years**

(21) Appl. No.: **35/506,528**

(22) Filed: **Dec. 7, 2018**

(80) **Hague Agreement Data**

Int. Filing Date: **Dec. 7, 2018**

Int. Reg. No.: **DM/200437**

Int. Reg. Date: **Dec. 7, 2018**

Int. Reg. Pub. Date: **Apr. 5, 2019**

(51) **LOC (12) Cl.** ..... **09-03**

(52) **U.S. Cl.**  
USPC ..... **D9/428**

(58) **Field of Classification Search**

USPC ..... D9/502, 504, 506, 519, 520, 522, 523,  
D9/526, 529, 530, 549, 553, 556,  
D9/424-428; D28/9

CPC ..... B65D 1/00; B65D 1/02; B65D 1/0223;  
B65D 1/0261; B65D 1/40; B65D 1/42;  
B65D 1/44; B65D 23/00; B65D 23/102;  
B65D 81/00; B65D 2501/00; B65D  
2501/0009; B65D 2501/0018; B65D  
2501/0036

See application file for complete search history.

(56) **References Cited**

**U.S. PATENT DOCUMENTS**

D666,876 S \* 9/2012 Rusnak ..... D7/602  
D752,431 S \* 3/2016 Bischoff ..... D9/428

D753,992 S \* 4/2016 Shiffer ..... D9/428  
9,340,334 B2 \* 5/2016 DeSiena ..... B65D 21/022  
D764,277 S \* 8/2016 Irimia ..... D9/428  
D764,871 S \* 8/2016 Touchet ..... D7/587  
D766,715 S \* 9/2016 Buck ..... D9/432  
D808,794 S \* 1/2018 Yessin ..... D9/425  
D809,711 S \* 2/2018 Albano ..... D28/9  
D811,212 S \* 2/2018 Pickard ..... D9/425  
D824,248 S \* 7/2018 Tuchrelo ..... D9/425  
D837,647 S \* 1/2019 Tamshe ..... D9/420  
D852,037 S \* 6/2019 Lin ..... D9/425  
D857,492 S \* 8/2019 Dominion ..... D9/425  
D868,579 S \* 12/2019 Wouters ..... D9/425  
D869,088 S \* 12/2019 Kesselman ..... D27/194

\* cited by examiner

*Primary Examiner* — Bao-Yen T Nguyen

(74) *Attorney, Agent, or Firm* — Ladas & Parry LLP

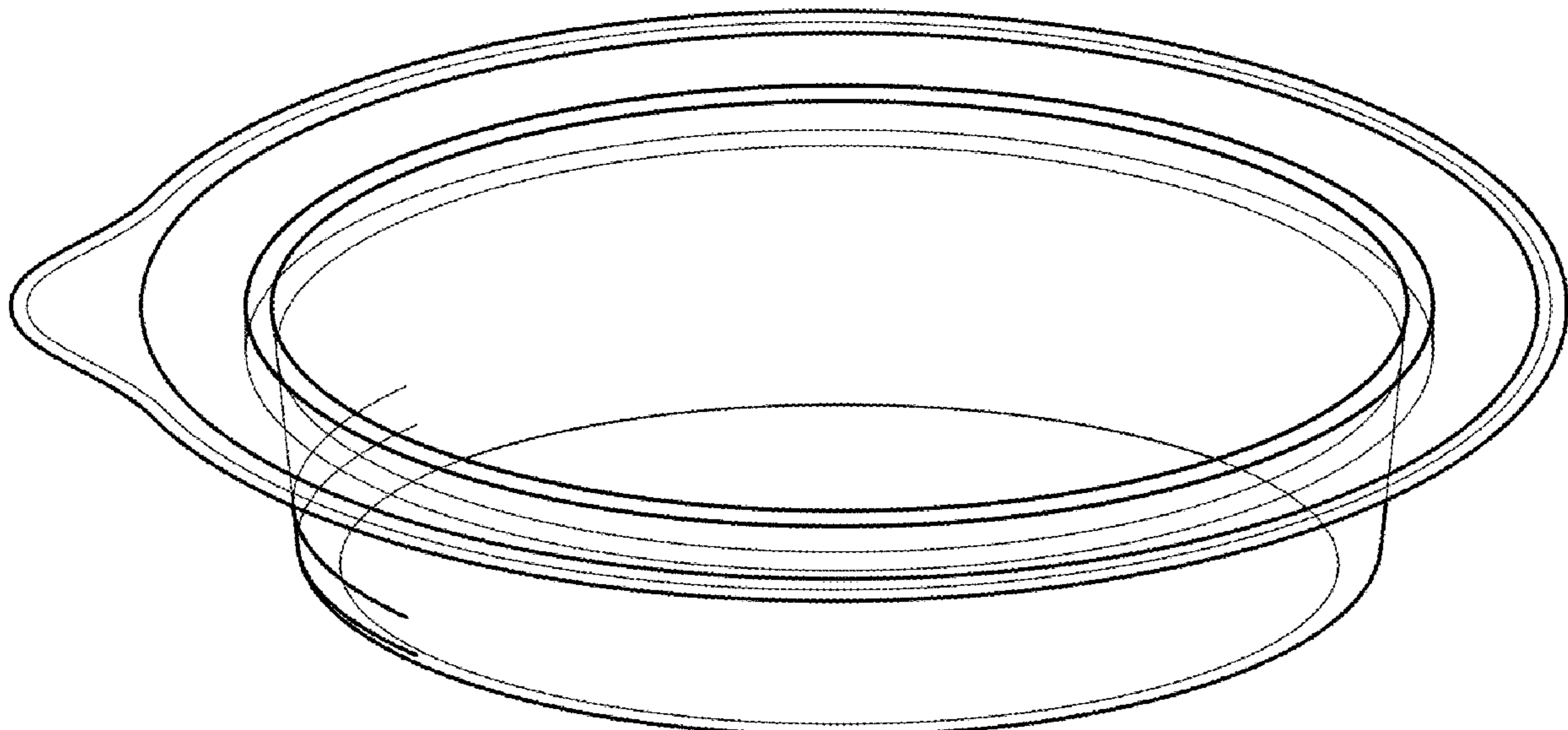
(57) **CLAIM**

The ornamental design for a cosmetic container, as shown and described.

**DESCRIPTION**

- 1. Cosmetic container
- 1.1: Perspective view (top, bottom, left)
- 1.2: Perspective view (top, bottom, right)
- 1.3: Top view (left)
- 1.4: Top view (right)
- 1.5: Side view (left)
- 1.6: Side view (right)
- 1.7: Bottom view (left)
- 1.8: Bottom view (right)

**1 Claim, 8 Drawing Sheets**



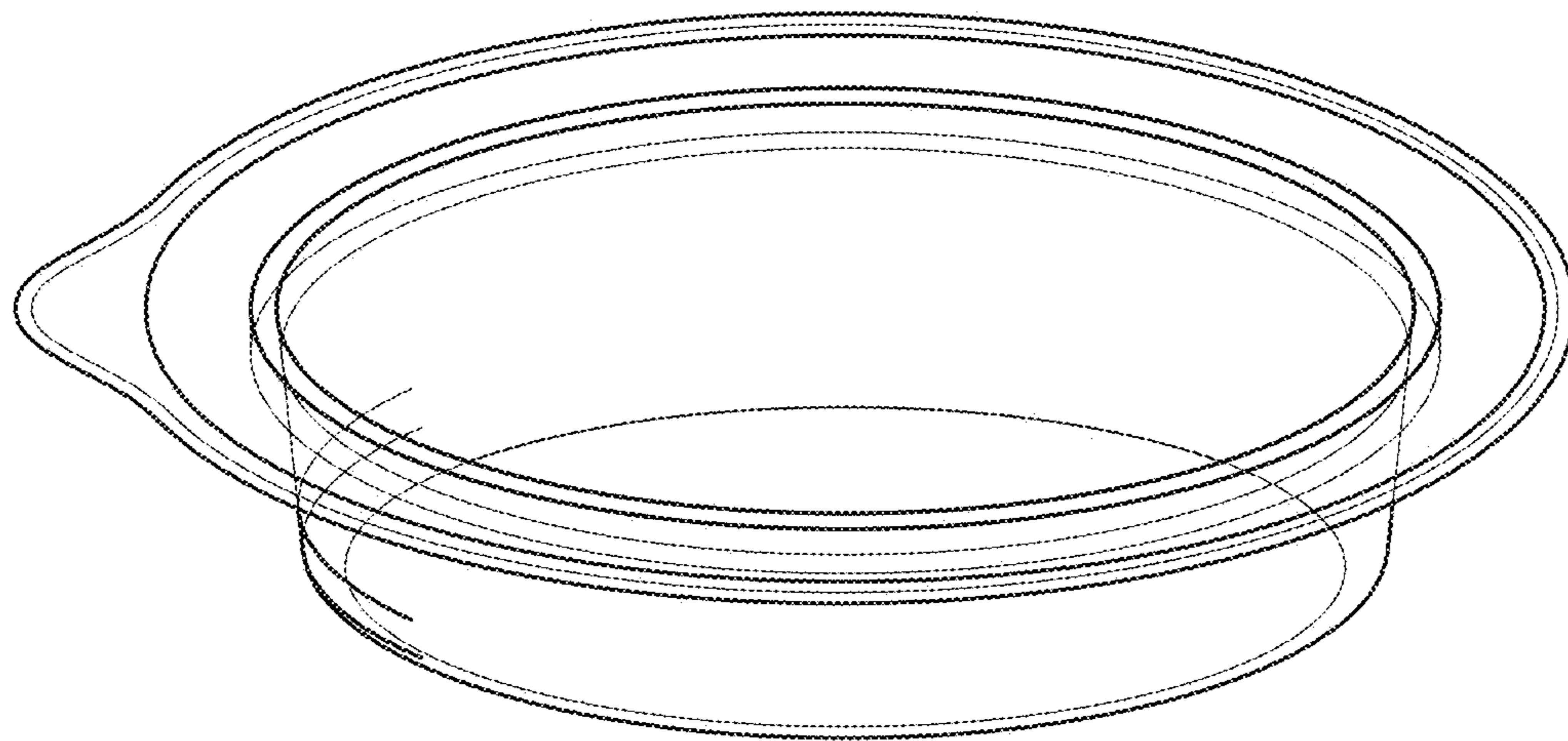


FIG. 1.1

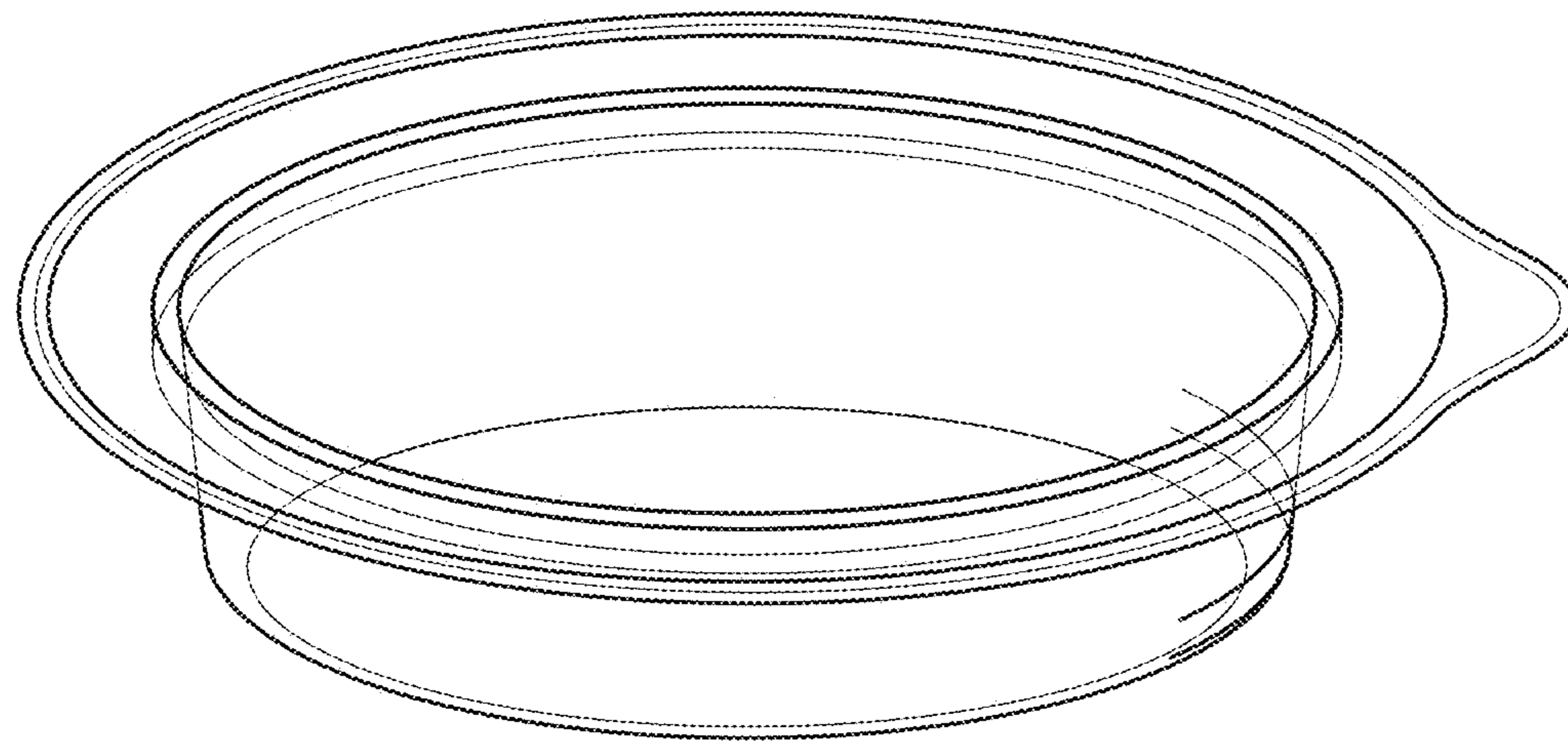


FIG. 1.2

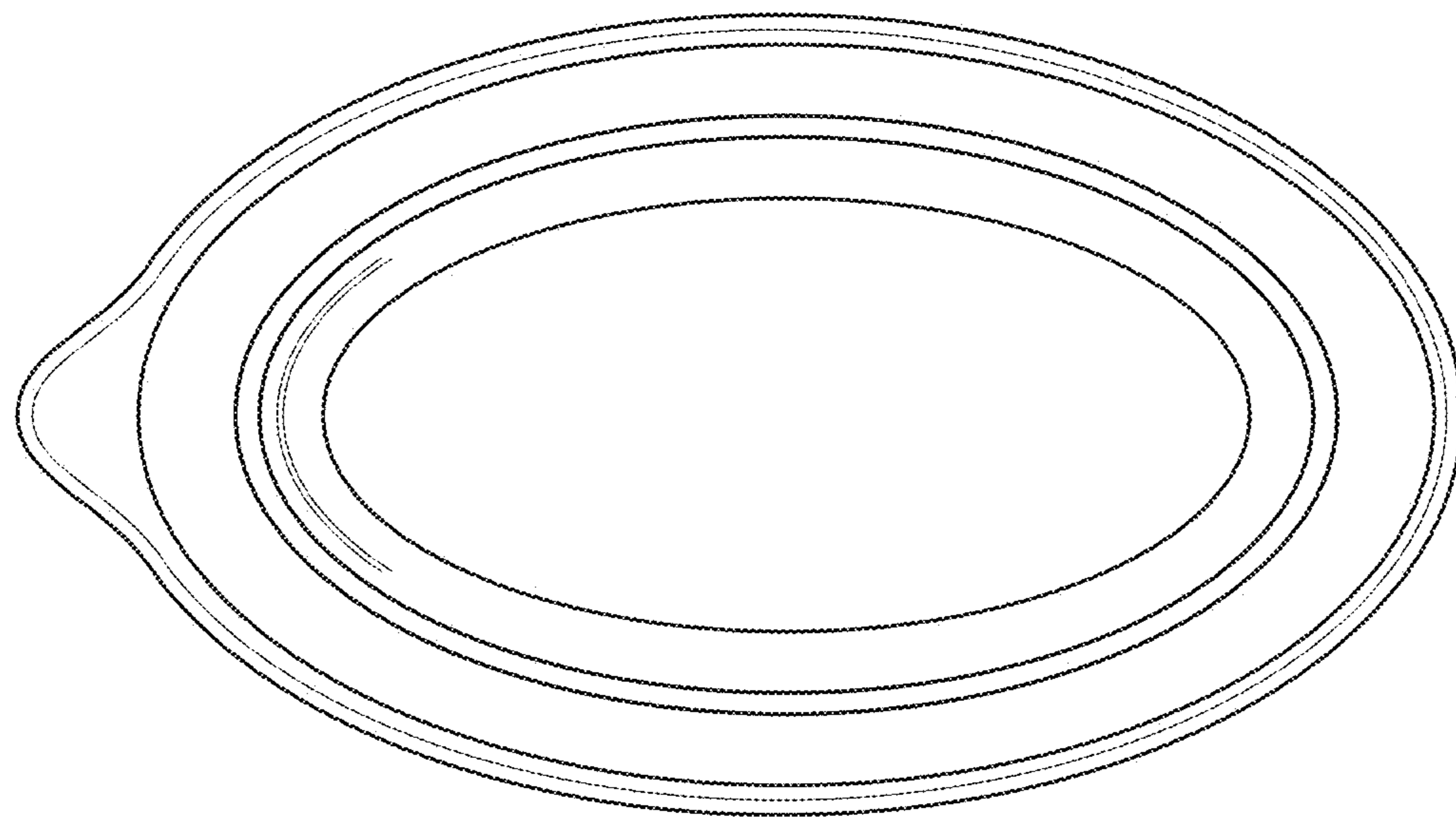


FIG. 1.3

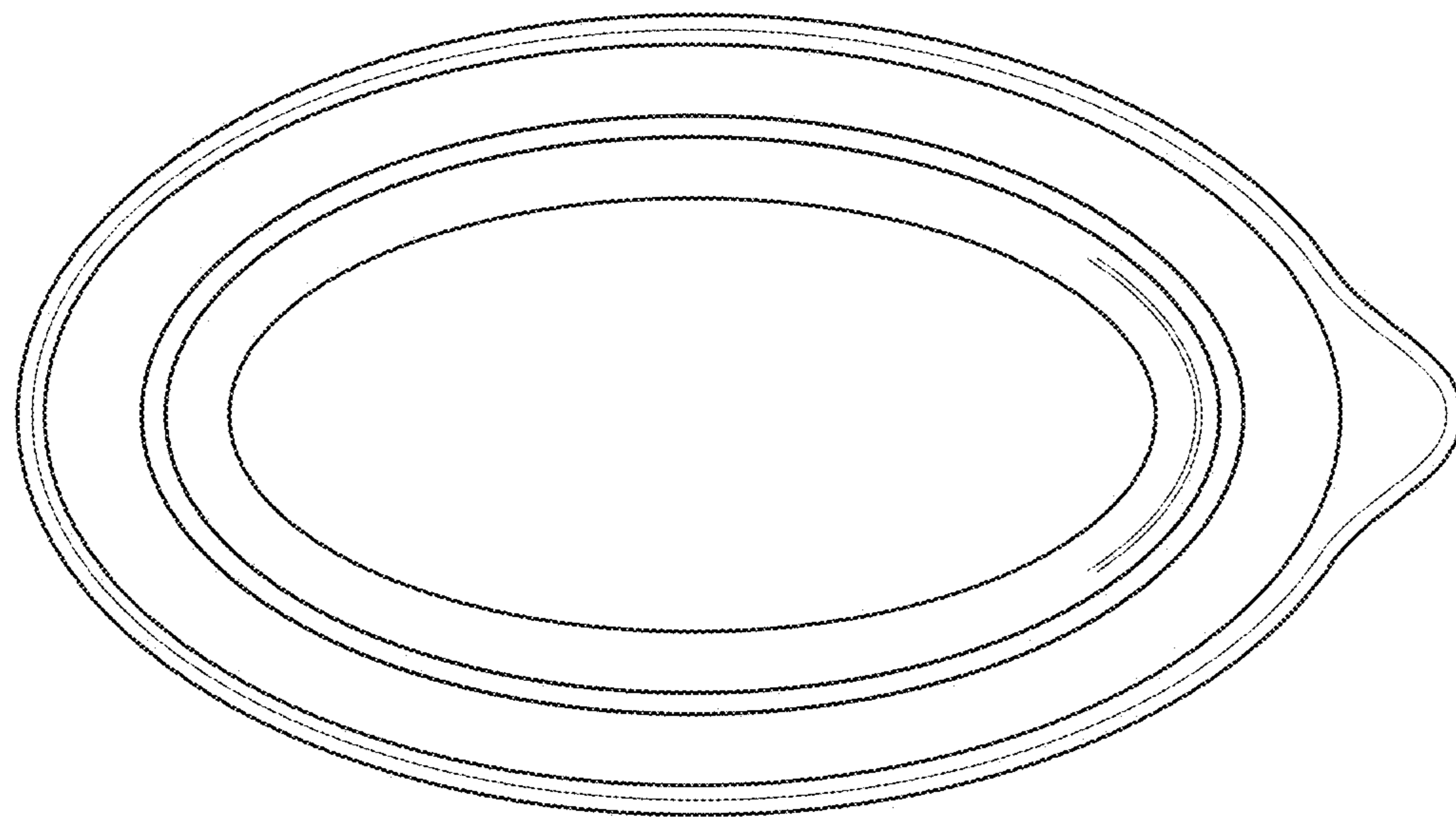


FIG. 1.4

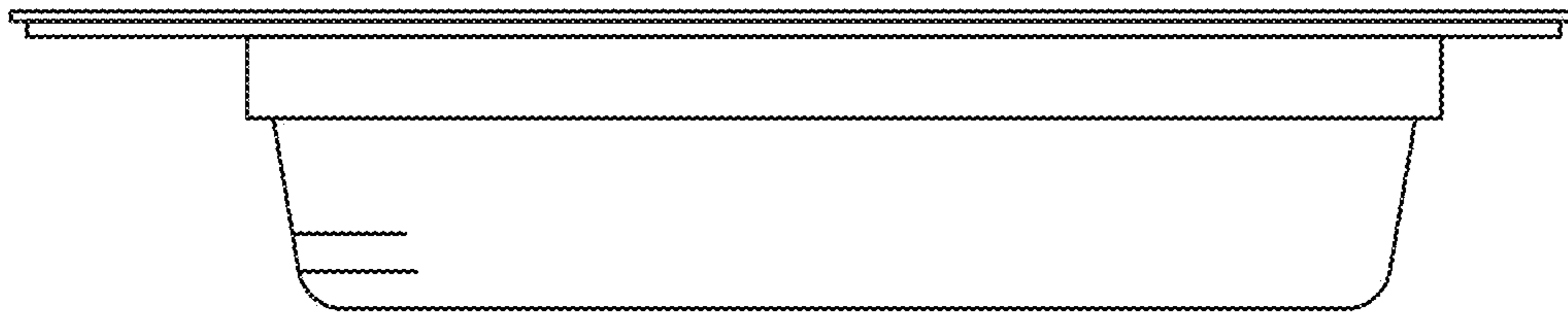


FIG. 1.5

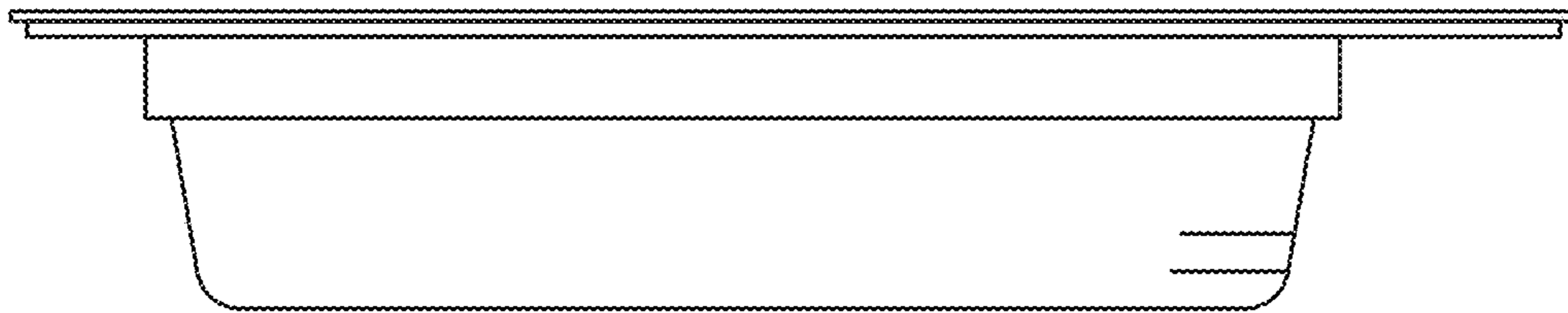


FIG. 1.6

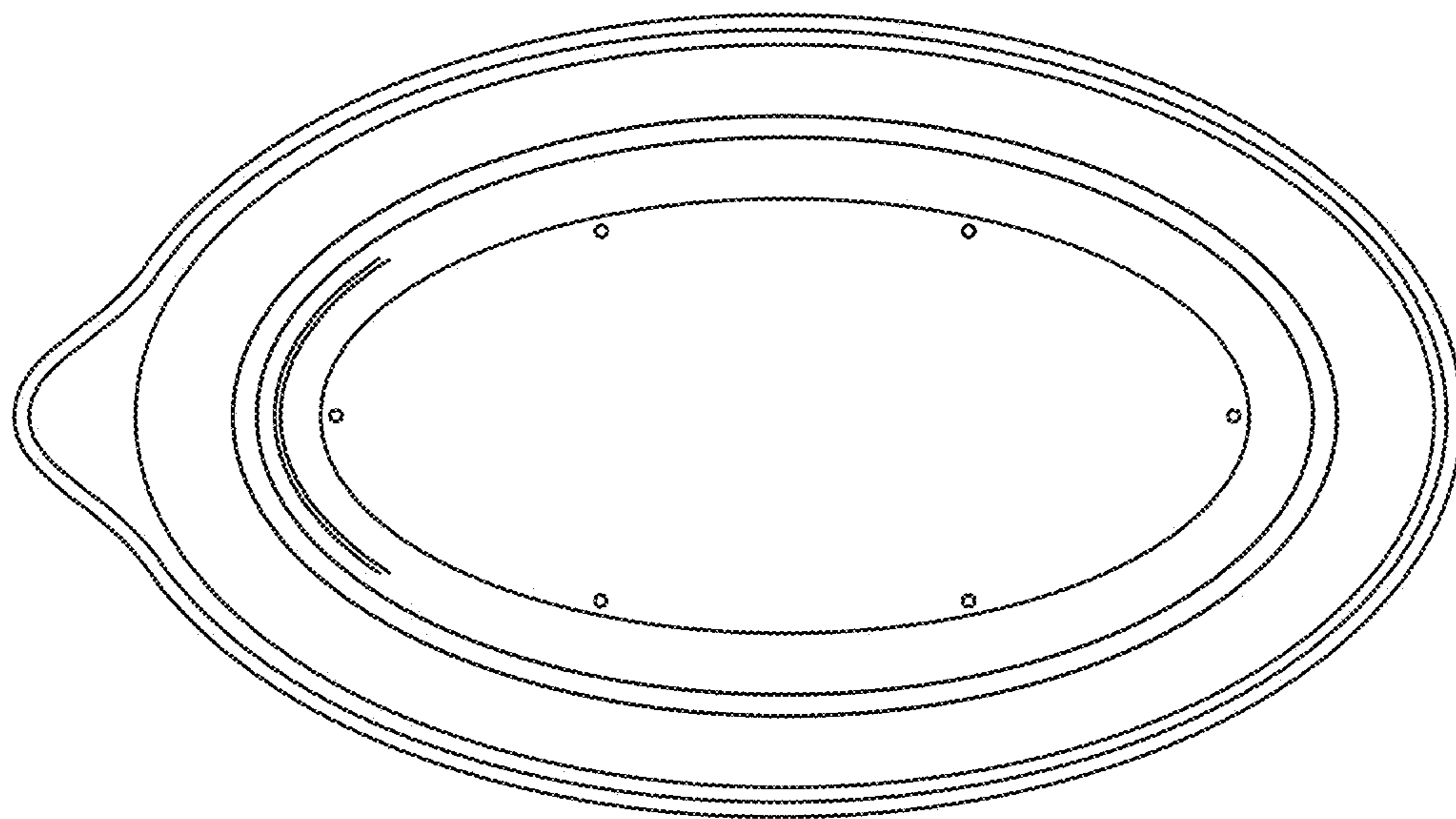


FIG. 1.7



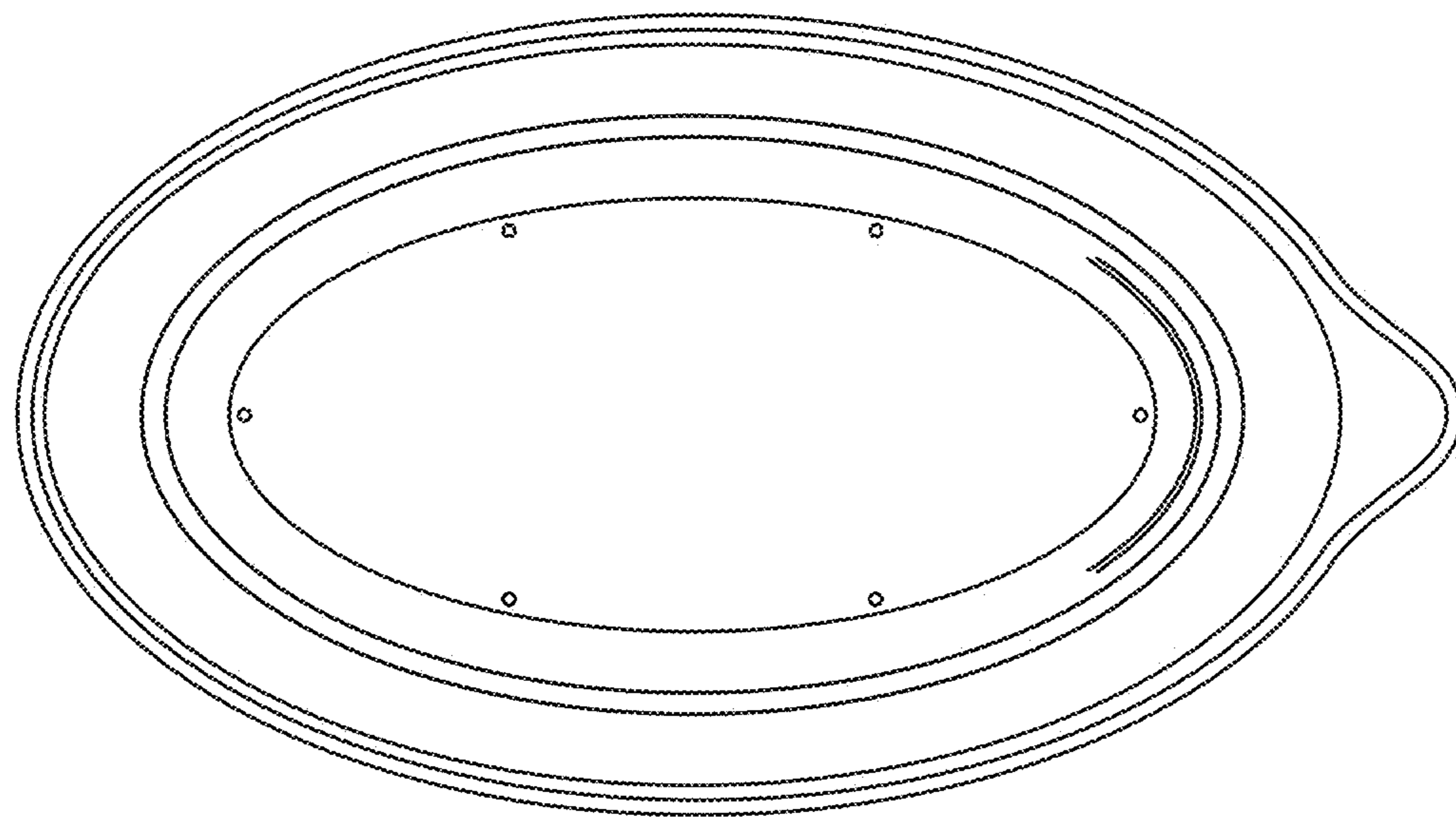


FIG. 1.8