



US00D906102S

(12) **United States Design Patent**
Cook et al.

(10) **Patent No.:** **US D906,102 S**
(45) **Date of Patent:** **** Dec. 29, 2020**

(54) **PACKAGING**

(71) Applicant: **Regeneron Pharmaceuticals, Inc.**,
Tarrytown, NY (US)
(72) Inventors: **Andrew Cook**, Troy, NY (US); **Victor Bradford**, Troy, NY (US)
(73) Assignee: **Regeneron Pharmaceuticals, Inc.**,
Tarrytown, NY (US)

5,379,895 A * 1/1995 Foslien A61B 50/30
206/363
5,386,908 A * 2/1995 Sinn A61B 17/06133
206/363
5,407,070 A * 4/1995 Bascos A61M 5/002
206/364
D430,015 S 8/2000 Himbert et al.
6,228,324 B1 5/2001 Hasegawa
6,994,213 B2 2/2006 Giard, Jr. et al.
D578,873 S * 10/2008 Plumer D9/415
7,954,636 B2 6/2011 Vincent-Aubry
D661,188 S * 6/2012 Fahy D9/456

(**) Term: **15 Years**

(21) Appl. No.: **29/699,793**

(22) Filed: **Jul. 29, 2019**

(51) **LOC (12) Cl.** **09-03**

(52) **U.S. Cl.**
USPC **D9/424; D9/737**

(58) **Field of Classification Search**
USPC D9/415, 418, 424, 732; D24/229
CPC B65D 75/327; B65D 75/36; B65D 75/366;
B65D 75/367; B65D 75/32; B65D
2575/3245; B65D 75/326; B65D
2575/366; B65D 2585/88; B65D 75/322;
B65D 77/2032; B65D 5/4204; B65D
75/22; B65D 77/0413; B65D 5/4208;
B65D 77/02; B65D 25/22; B65D
75/5833; B65D 85/00; B65D 2543/00194;
B65D 2301/20; B65D 2575/3218; B65D
73/0007; B65D 73/0042

See application file for complete search history.

(56) **References Cited**

U.S. PATENT DOCUMENTS

3,075,639 A 1/1963 Lingley
3,937,219 A 2/1976 Karakashian
4,106,621 A 8/1978 Sorenson
4,184,593 A 1/1980 Dorr
D304,157 S * 10/1989 Holewinski D9/737
5,246,109 A * 9/1993 Markle A61B 5/145
206/363

FOREIGN PATENT DOCUMENTS

EP 1293222 B1 3/2003
GB 2079751 6/1998

(Continued)

Primary Examiner — Lauren R Calve
(74) *Attorney, Agent, or Firm* — Bookoff McAndrews,
PLLC

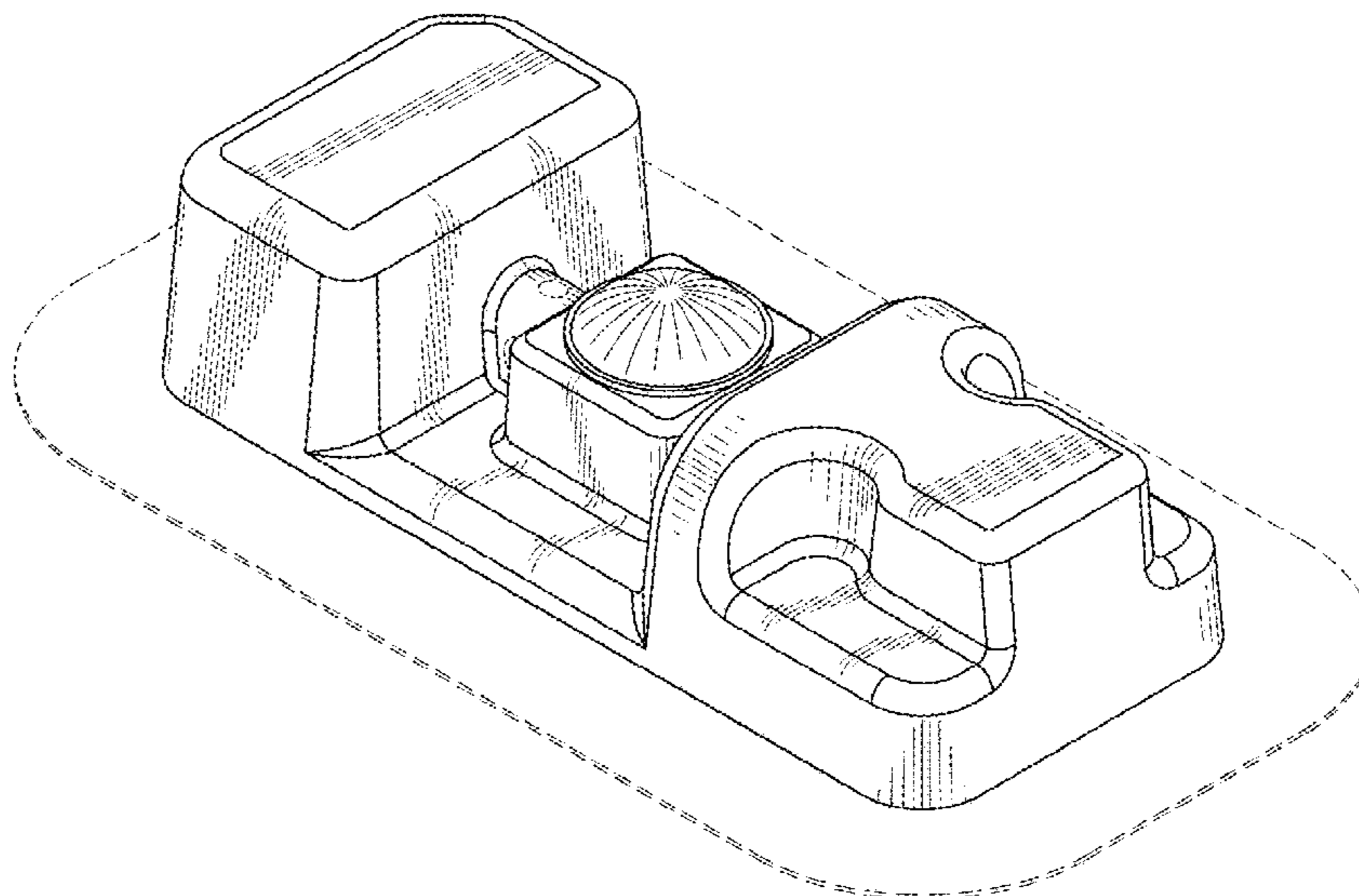
(57) **CLAIM**

The ornamental design for packaging, as shown and described.

DESCRIPTION

FIG. 1 is a bottom, rear, right perspective view of packaging showing our new design;
FIG. 2 is a bottom, rear, left perspective view thereof;
FIG. 3 is a front elevation view thereof;
FIG. 4 is a rear elevation view thereof;
FIG. 5 is a left side view thereof;
FIG. 6 is a right side view thereof;
FIG. 7 is a top plan view thereof; and,
FIG. 8 is a bottom view thereof.
The broken lines of even length shown in the drawings illustrate portions of the packaging that form no part of the claimed design.

1 Claim, 5 Drawing Sheets



(56)

References Cited

U.S. PATENT DOCUMENTS

D700,508	S *	3/2014	Trontel	D9/415
8,727,117	B2	5/2014	Maasarani	
9,144,465	B2	9/2015	Hunkeler et al.	
9,248,229	B2	2/2016	Devouassoux et al.	
D750,502	S	3/2016	Kirchmayr et al.	
D751,726	S *	3/2016	Nishioka	D24/229
D788,936	S	6/2017	Schill et al.	
D788,937	S	6/2017	Schill et al.	
D809,911	S *	2/2018	Moskovich	D9/415
D873,131	S *	1/2020	Watanabe	D9/424
10,577,165	B2 *	3/2020	Sadowski	B65D 77/26
10,653,850	B2 *	5/2020	Ward	A61M 5/3204
2010/0181218	A1	7/2010	Beccaro et al.	
2013/0178759	A1	7/2013	Karpiloff	
2014/0215976	A1	8/2014	Maasarani	
2016/0375199	A1	12/2016	Ward et al.	
2017/0008686	A1	1/2017	Tanoguchi	
2017/0128662	A1	5/2017	Schill et al.	
2017/0143893	A1	5/2017	Hasumi et al.	
2017/0182240	A1	6/2017	Kerschbaumer et al.	
2017/0367780	A1	12/2017	Van Der Raad-Meijer et al.	
2018/0015217	A1	1/2018	Hasumi	
2018/0085515	A1	3/2018	Mide et al.	
2020/0171244	A1	6/2020	Weikart et al.	

FOREIGN PATENT DOCUMENTS

JP	1233133	3/2005
JP	1250610	9/2005
JP	1256931	11/2005
WO	9838109 A1	9/1998
WO	2014004348 A1	1/2014
WO	2014187779 A1	11/2014
WO	2017158801 A1	9/2017

* cited by examiner

FIG. 1

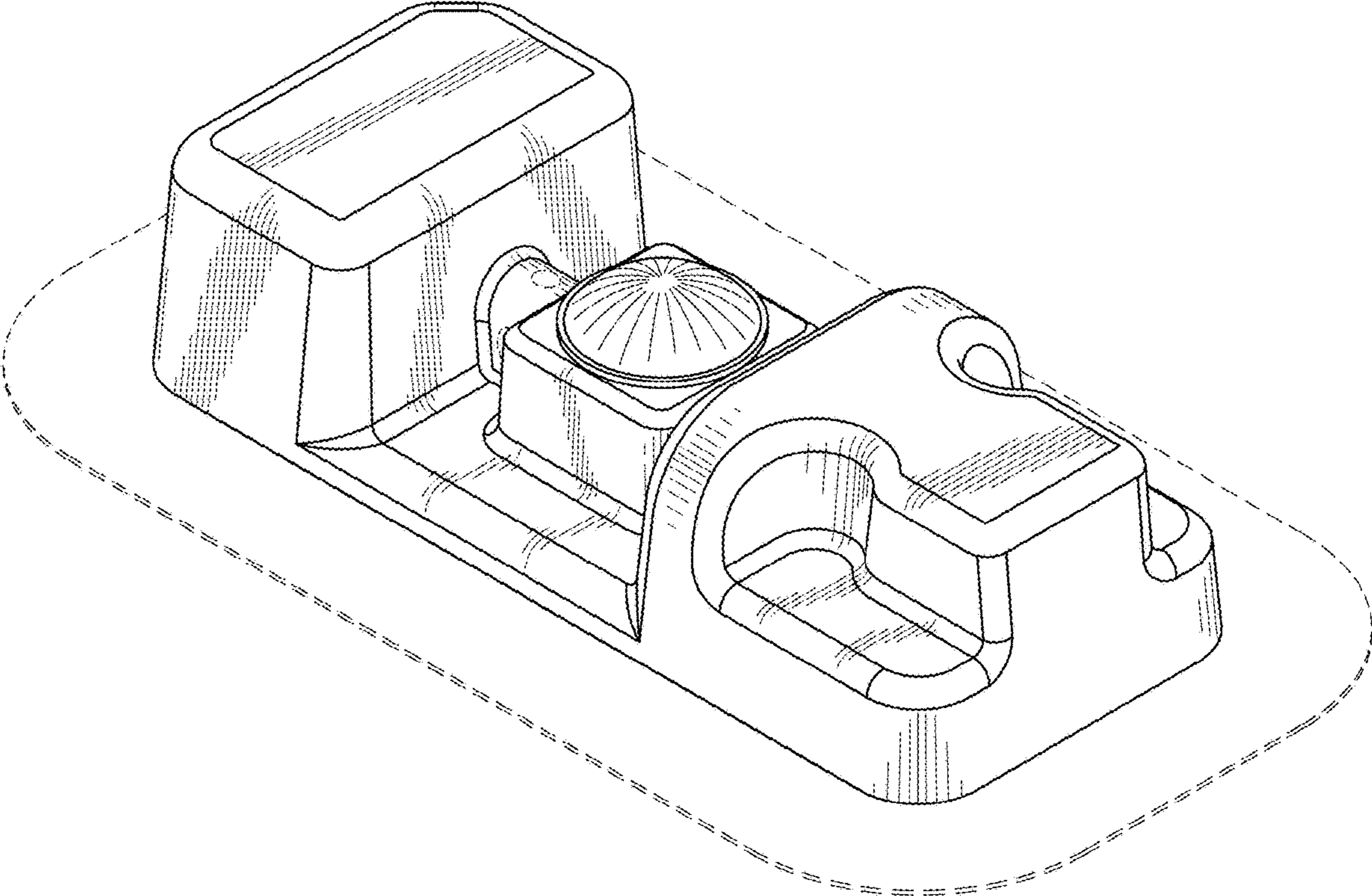


FIG. 2

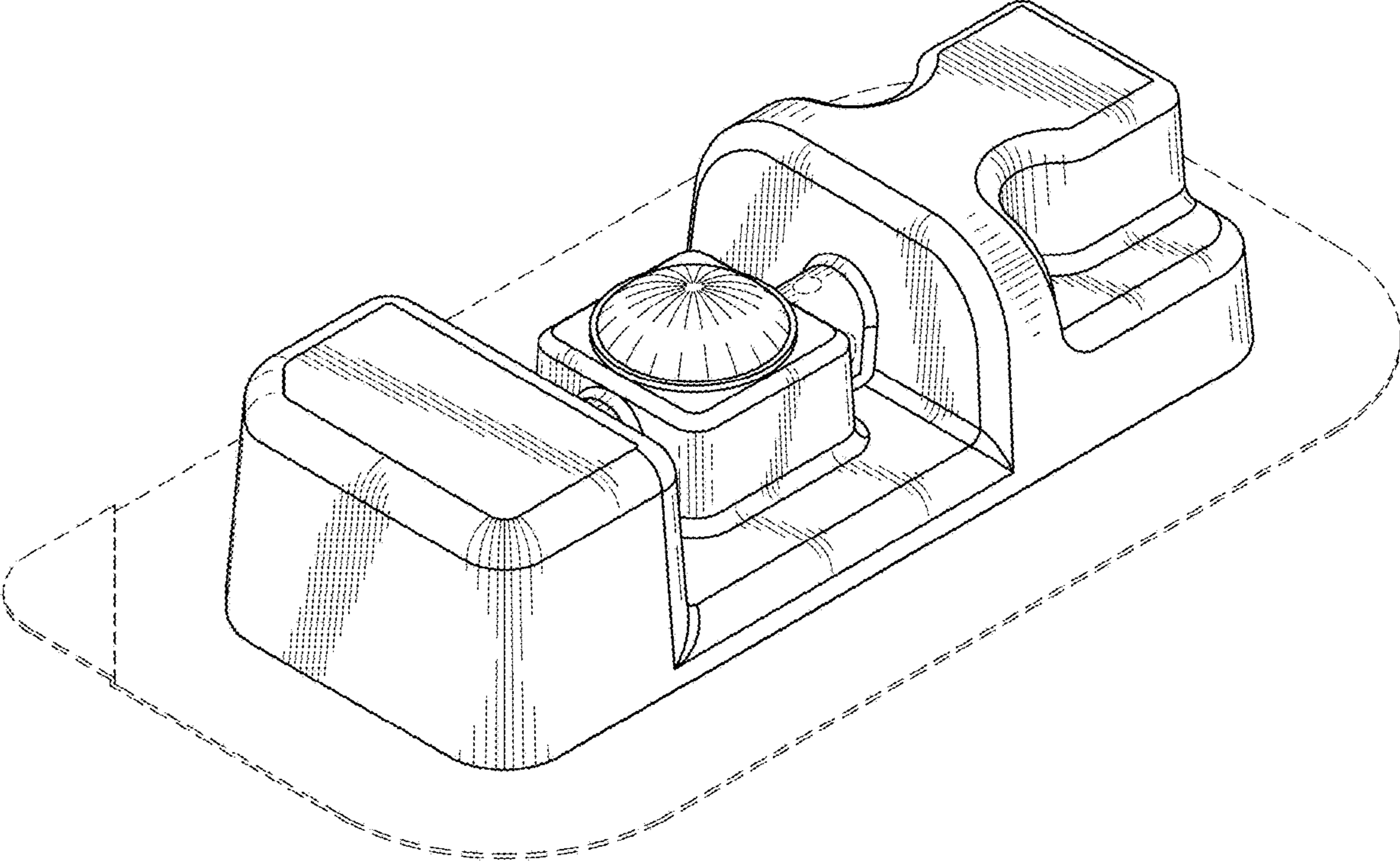


FIG. 3

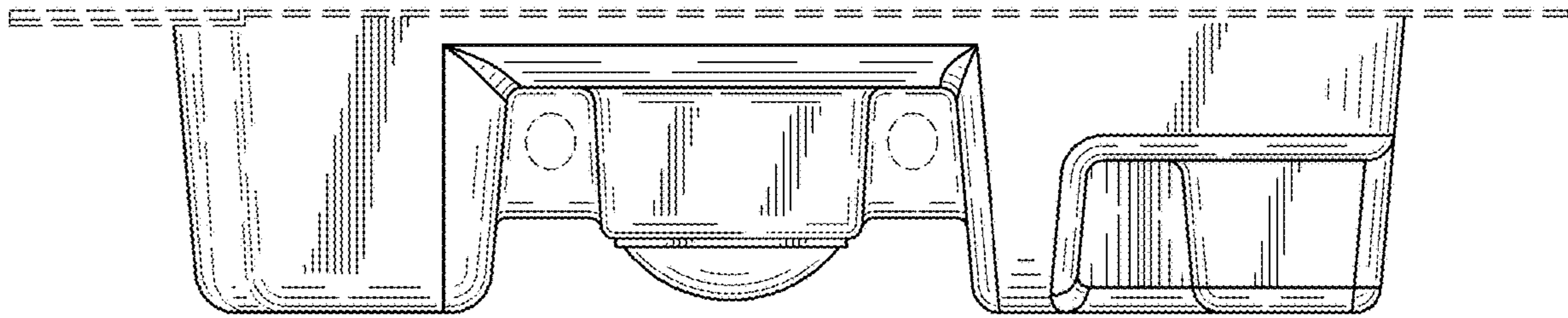


FIG. 4

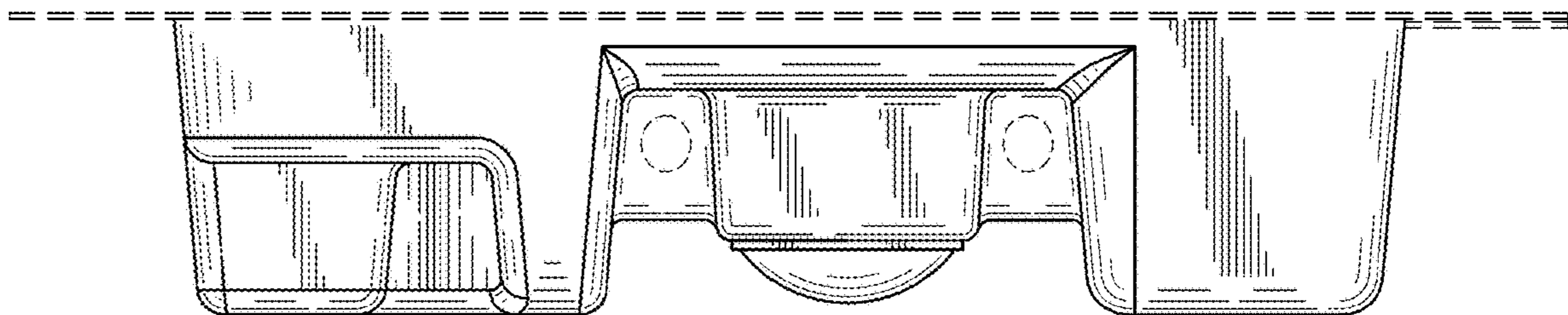


FIG. 5

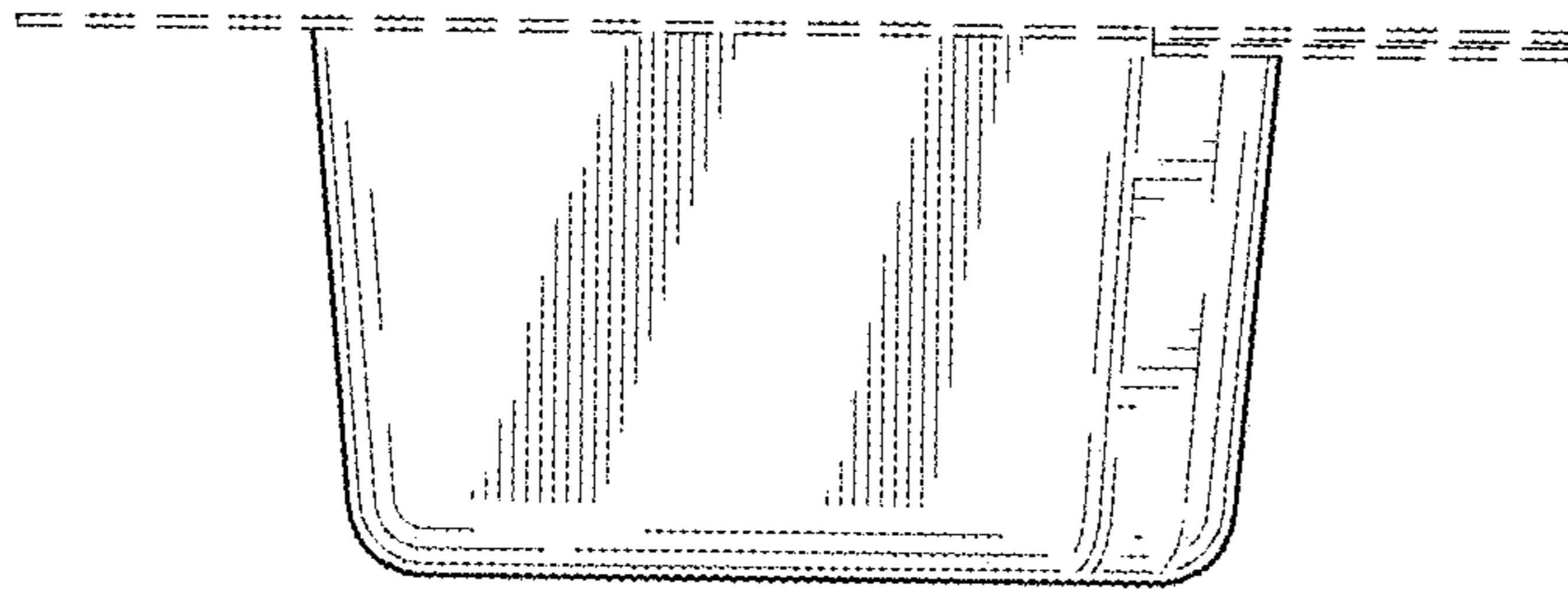


FIG. 6

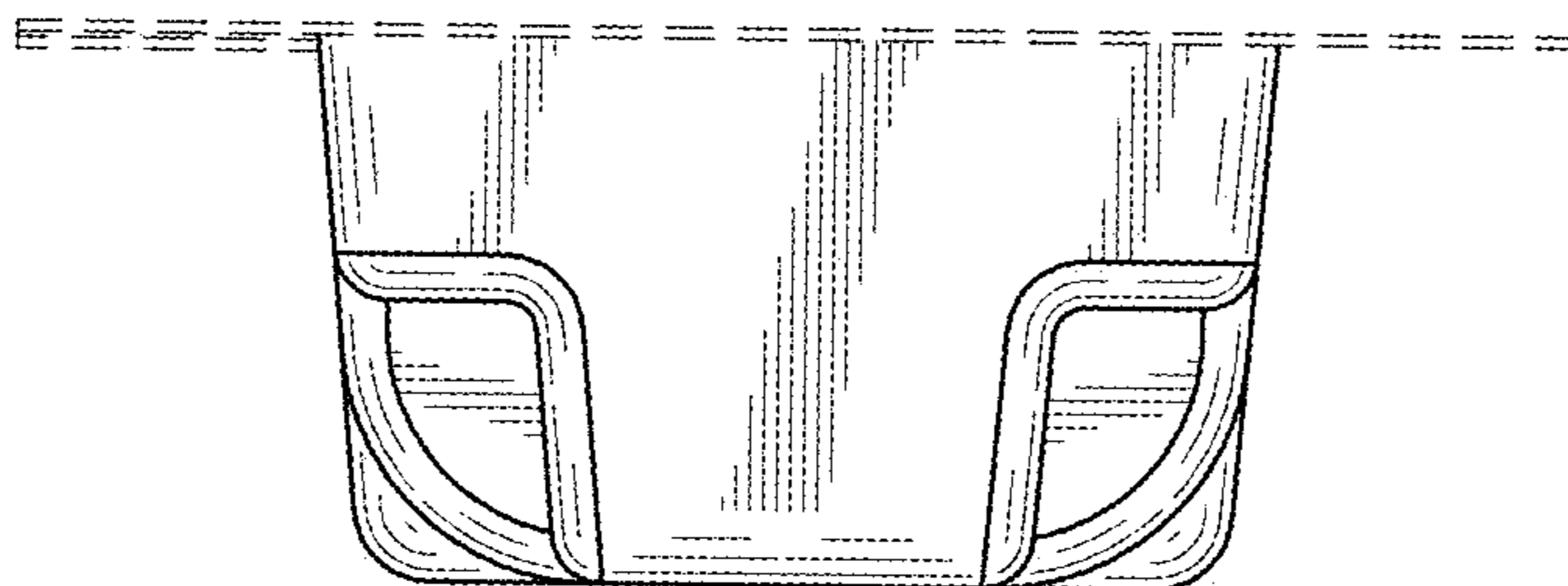


FIG. 7

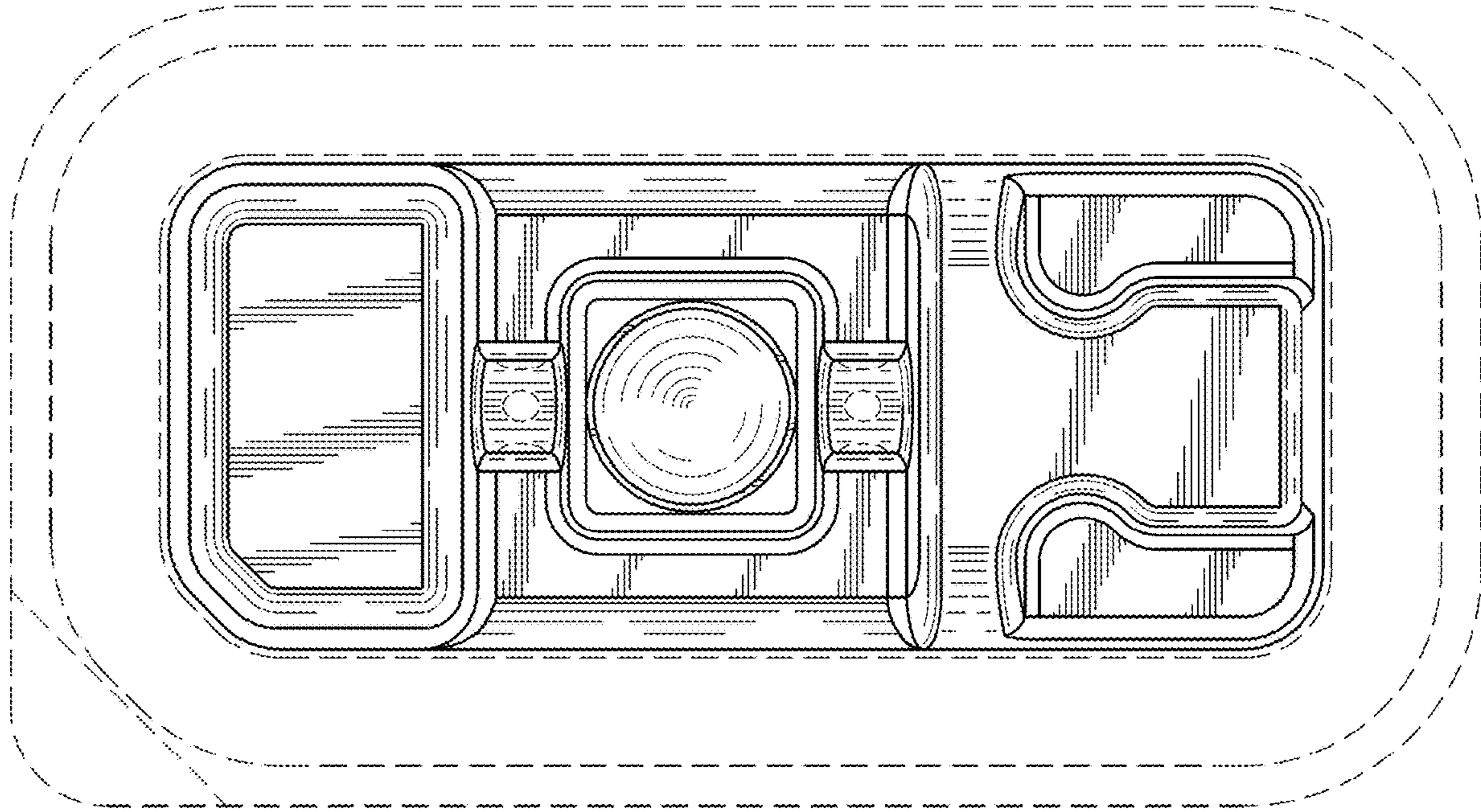


FIG. 8

