



US00D906101S

(12) **United States Design Patent** (10) **Patent No.:** **US D906,101 S**
Giwani (45) **Date of Patent:** **** *Dec. 29, 2020**

- (54) **CHARGING CABLE BOX**
- (71) Applicant: **Warner Wireless Int'l, Inc.**, Dallas, TX (US)
- (72) Inventor: **James Maajeed Giwani**, Dallas, TX (US)
- (73) Assignee: **Warner Wireless Int'l, Inc.**, Dallas, TX (US)
- (*) Notice: This patent is subject to a terminal disclaimer.
- (**) Term: **15 Years**
- (21) Appl. No.: **29/720,828**
- (22) Filed: **Jan. 16, 2020**
- (51) **LOC (12) Cl.** **09-03**
- (52) **U.S. Cl.**
USPC **D9/418**
- (58) **Field of Classification Search**
USPC D9/414-418, 432, 715, 428, 430;
D14/204, 223, 225; D3/298, 257;
D8/356
CPC A61J 1/1425; B65H 75/44
See application file for complete search history.

- (56) **References Cited**
U.S. PATENT DOCUMENTS
- D281,033 S 10/1985 Mohri
- D281,398 S * 11/1985 Kesselring D9/414
- D372,193 S * 7/1996 Lee D9/415
- D380,963 S * 7/1997 Lee D9/415
- D397,865 S 9/1998 Lin
- 5,984,224 A 11/1999 Yang
- 6,059,213 A * 5/2000 Phillips B65H 75/44
191/12.4
- D475,528 S * 6/2003 Ferris D3/257
- D493,105 S * 7/2004 Childs D9/416

- D493,335 S 7/2004 Armato
- D533,387 S 12/2006 Huang
- D601,884 S * 10/2009 Andre D9/430
- D620,257 S 7/2010 Fujimura et al.
- D620,781 S * 8/2010 Weckworth D8/356
- D659,991 S 5/2012 Long, Jr. et al.
- D667,390 S * 9/2012 Matera D14/223
- D669,744 S 10/2012 Cossu
- D672,260 S 12/2012 Irokawa et al.
- D679,990 S * 4/2013 O'Brien D9/428
- D685,771 S 7/2013 Bertenthal
- D694,101 S 11/2013 Radomyselski et al.
- 8,590,703 B2 11/2013 Tierney et al.
- 8,668,160 B2 3/2014 Cheng
- D704,073 S * 5/2014 Akana D9/721
- D706,643 S 6/2014 Akana et al.
- D709,385 S * 7/2014 Vural D9/721
- D722,264 S 2/2015 Saideh
- D722,497 S * 2/2015 Saideh D9/418

(Continued)

Primary Examiner — Rhea Shields

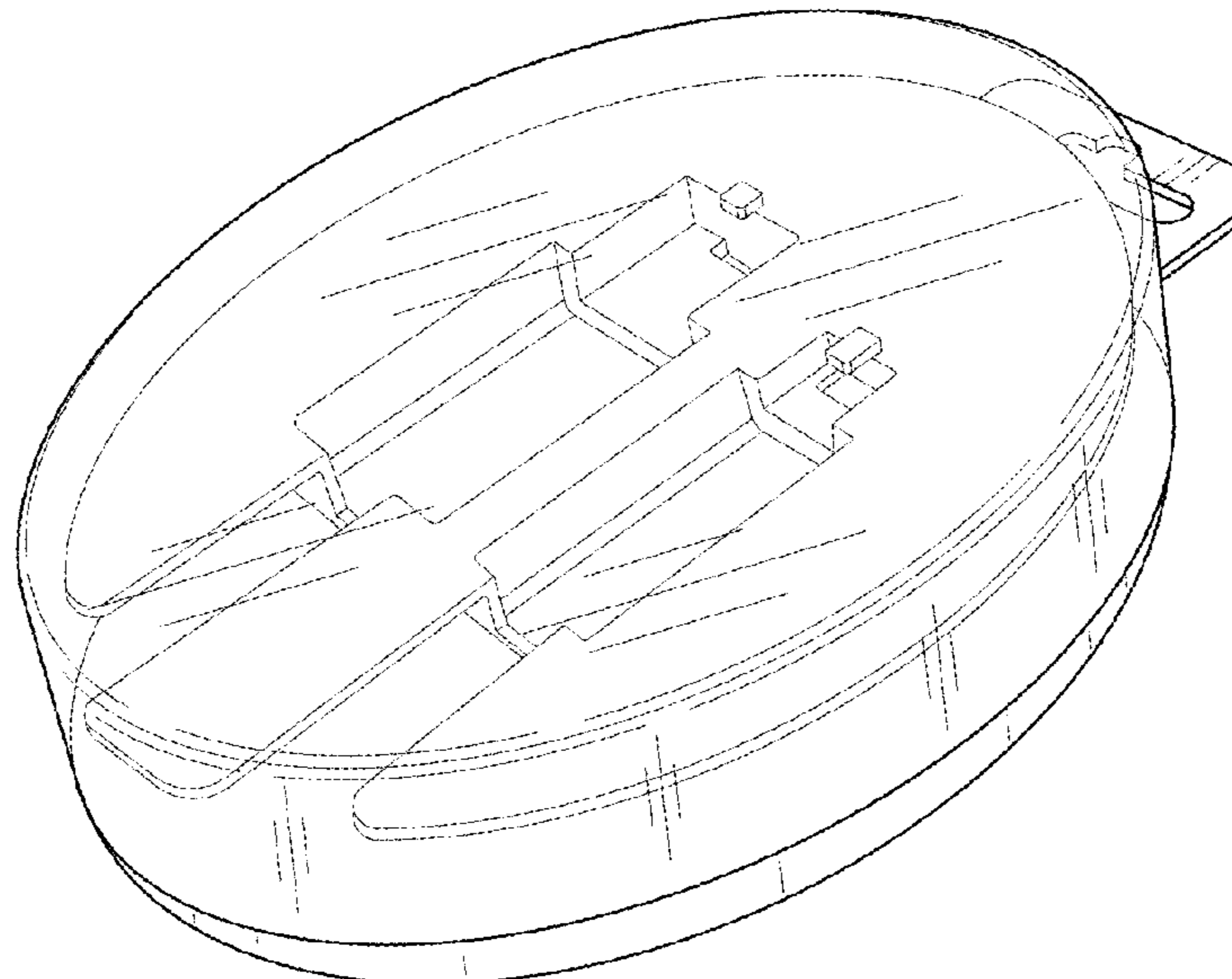
(57) **CLAIM**

I claim the ornamental design for a charging cable box, as shown and described.

DESCRIPTION

FIG. 1 is a perspective view of the charging cable box;
 FIG. 2 is a top side view thereof;
 FIG. 3 is a bottom side view thereof;
 FIG. 4 is a front side view thereof;
 FIG. 5 is a rear side view thereof;
 FIG. 6 is a right side view thereof;
 FIG. 7 is a left side view thereof;
 FIG. 8 is a perspective view thereof with environmental features; and,
 FIG. 9 is a perspective view thereof with environmental features and the lid removed from the base.
 In FIGS. 8 and 9, the broken lines are for the purpose of illustrating environment only that forms no part of the claimed design.

1 Claim, 9 Drawing Sheets



(56)

References Cited

U.S. PATENT DOCUMENTS

D740,653	S	10/2015	Akana et al.	
D744,855	S *	12/2015	Akana	D9/432
D746,698	S *	1/2016	Akana	D9/715
D752,521	S	3/2016	Place	
D774,760	S	12/2016	Martinetti	
D793,223	S	8/2017	Minoli	
D796,968	S	9/2017	Akana et al.	
D799,316	S	10/2017	Thain et al.	
D807,761	S	1/2018	Akana et al.	
D828,749	S *	9/2018	Swegle	A61J 1/1425 D9/415
D829,551	S	11/2018	Akana et al.	
D833,887	S	11/2018	Akana et al.	
D838,480	S	1/2019	Son et al.	
D840,218	S	2/2019	Thain et al.	
D844,456	S	4/2019	O'Neill	
D861,475	S *	10/2019	Giwani	D9/418
D862,218	S *	10/2019	Giwani	D9/418
D865,511	S *	11/2019	Giwani	D9/418
D869,269	S *	12/2019	Giwani	D9/418
D875,518	S *	2/2020	Giwani	D9/418
D875,519	S *	2/2020	Giwani	D9/418
D875,720	S *	2/2020	Russo	D14/225
D876,834	S *	3/2020	Breen	D3/298
2013/0105342	A1	5/2013	Yamamoto	
2015/0375893	A1	12/2015	Korinek	

* cited by examiner

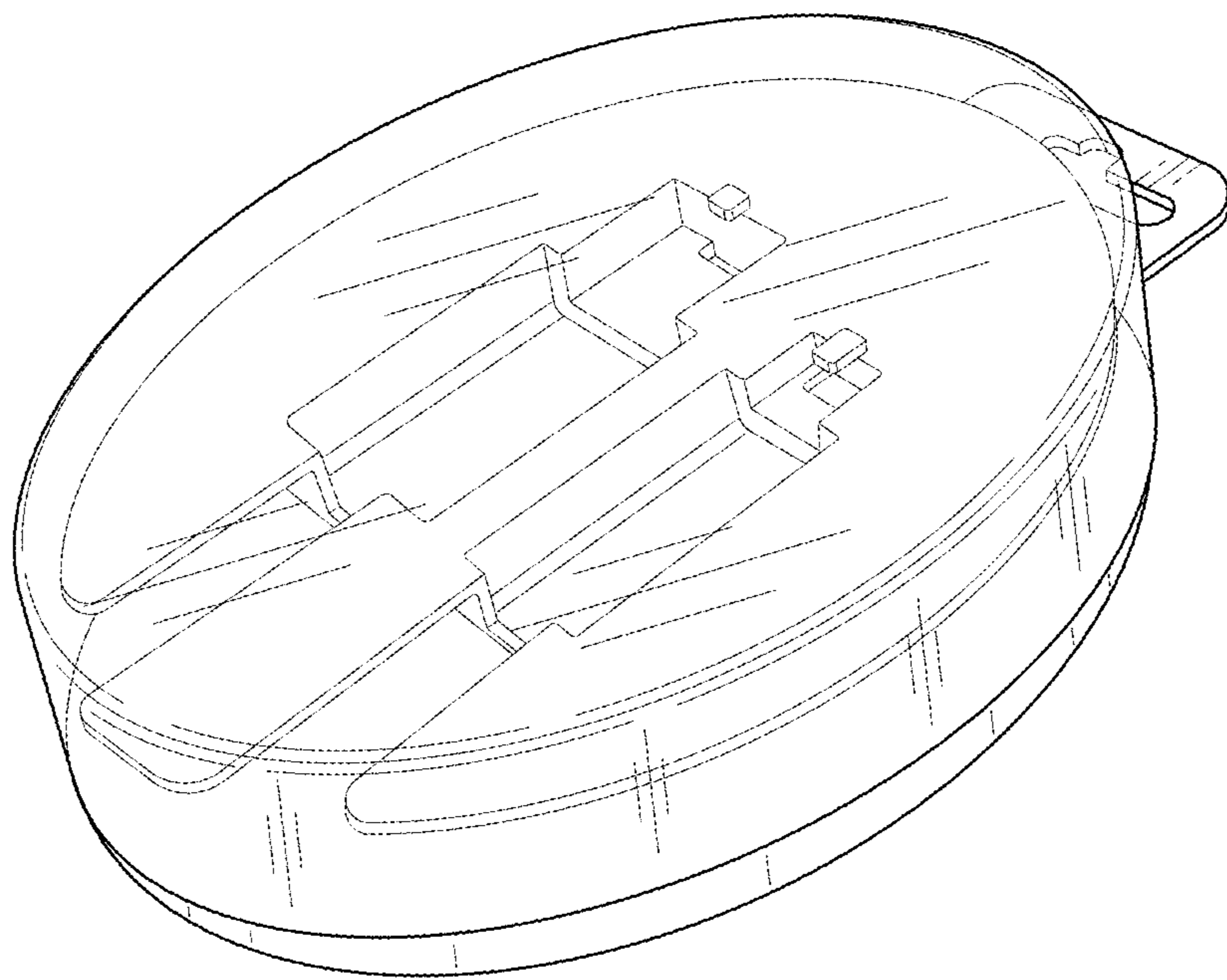


FIG. 1

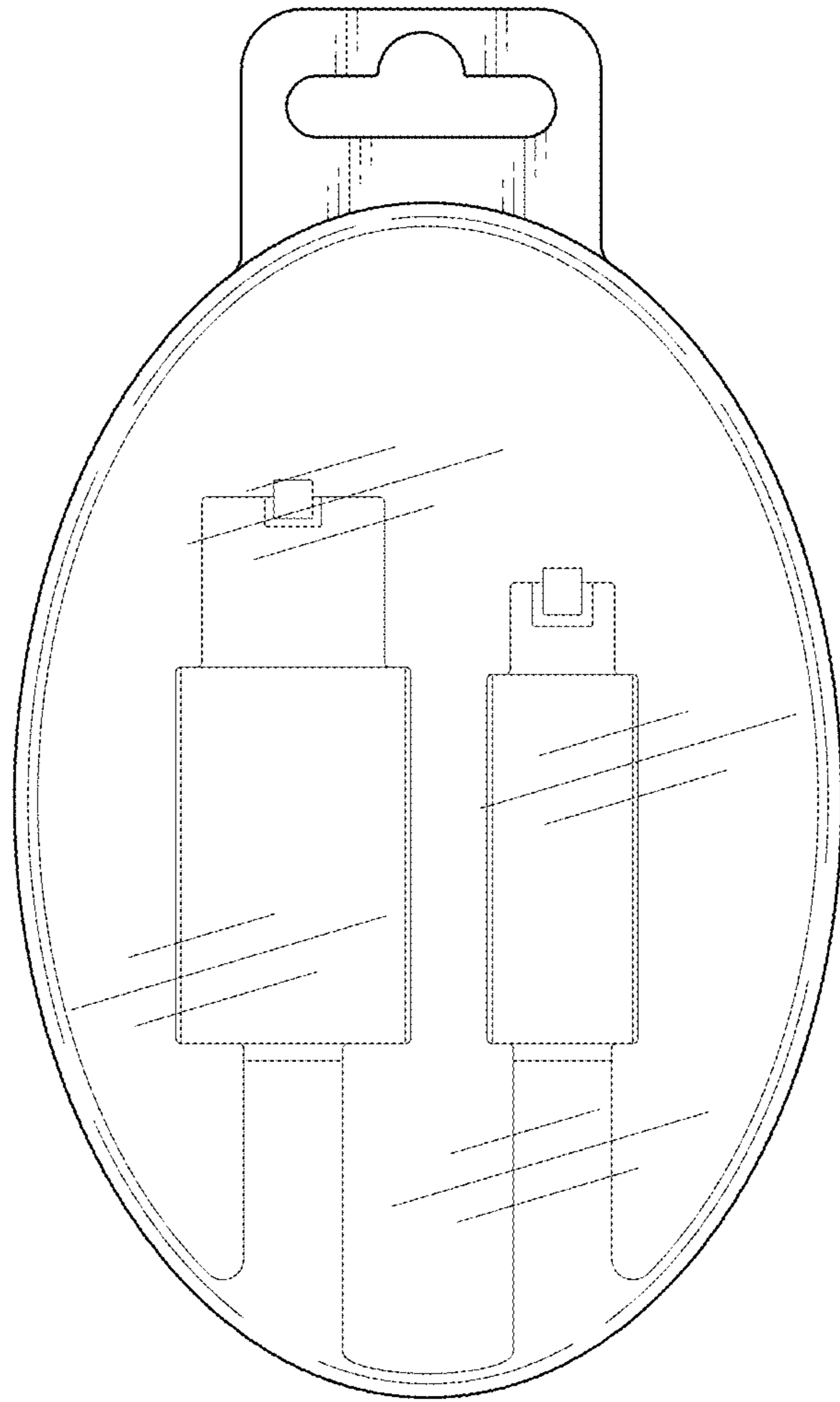


FIG. 2

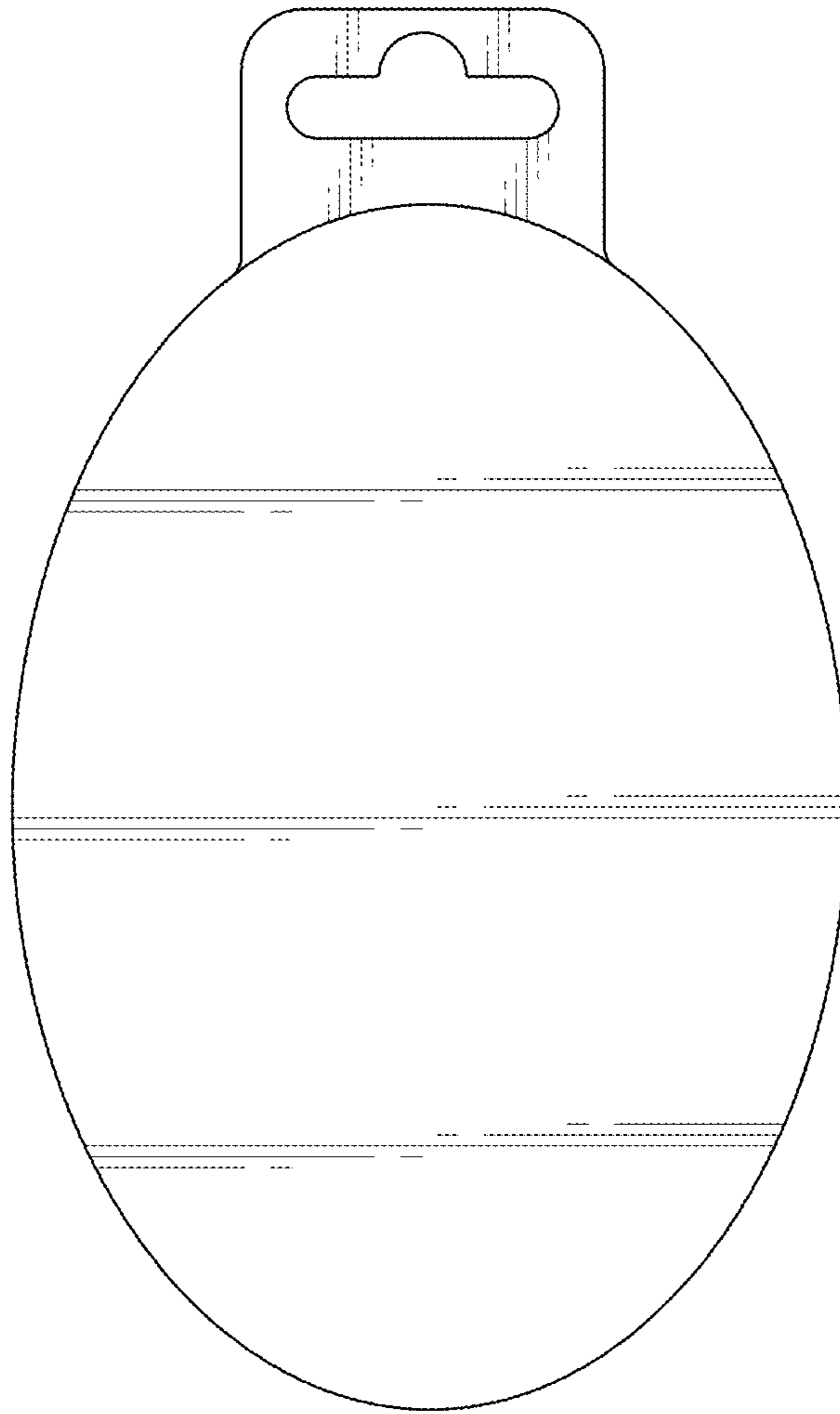


FIG. 3

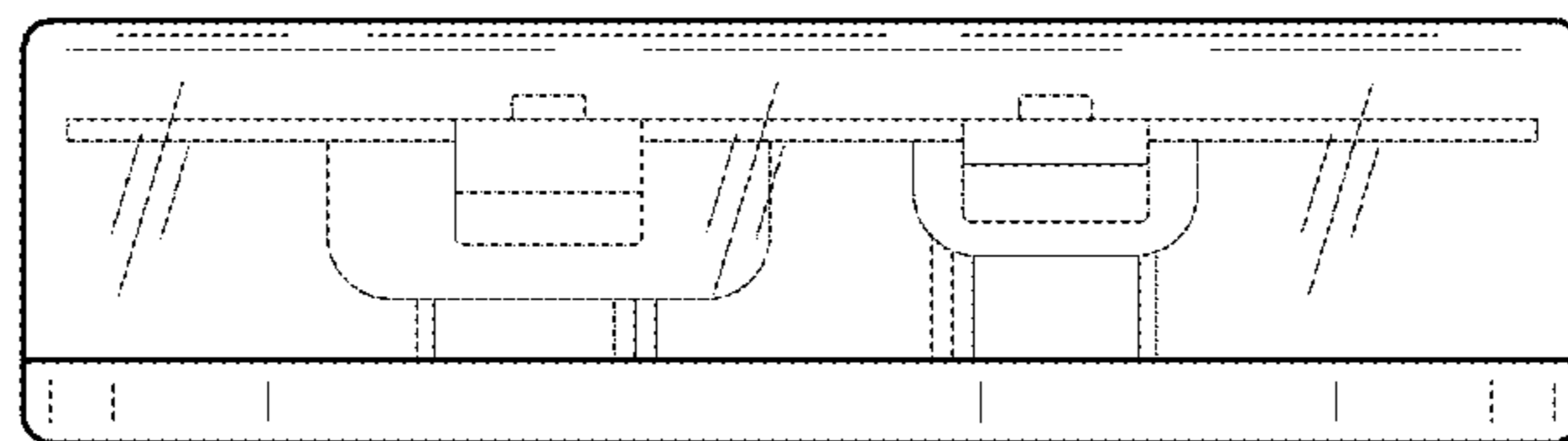


FIG. 4

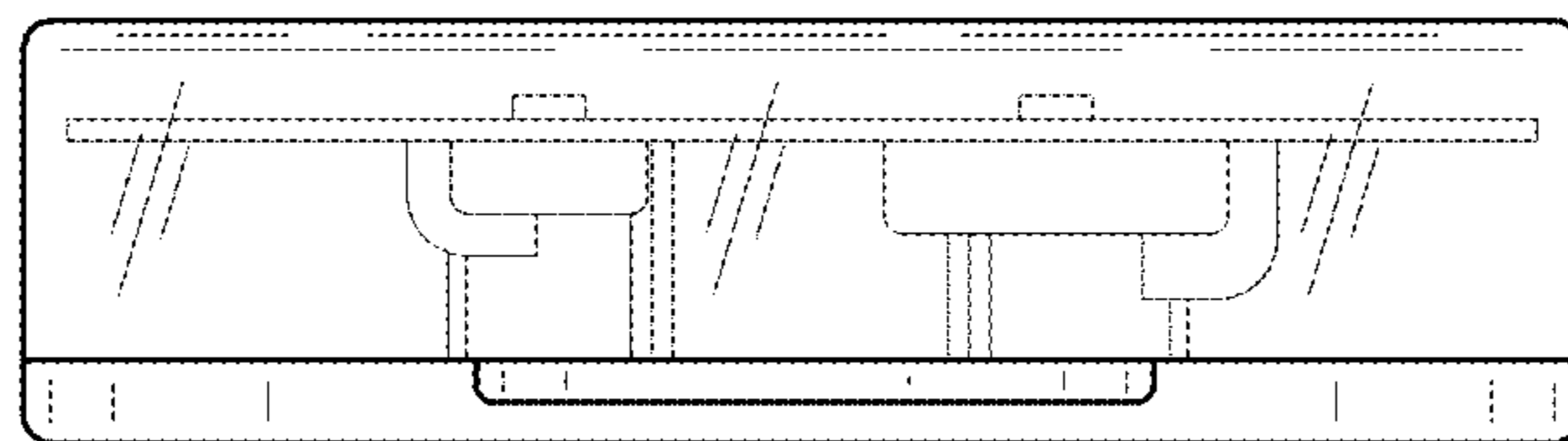


FIG. 5

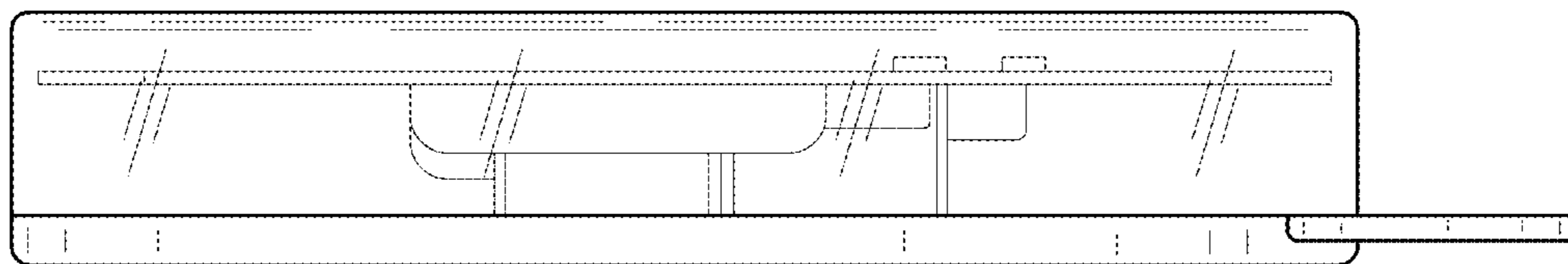


FIG. 6

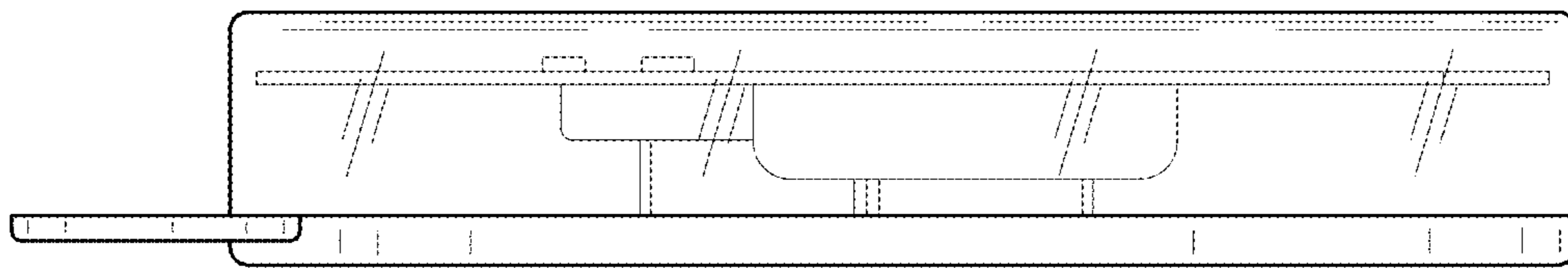


FIG. 7

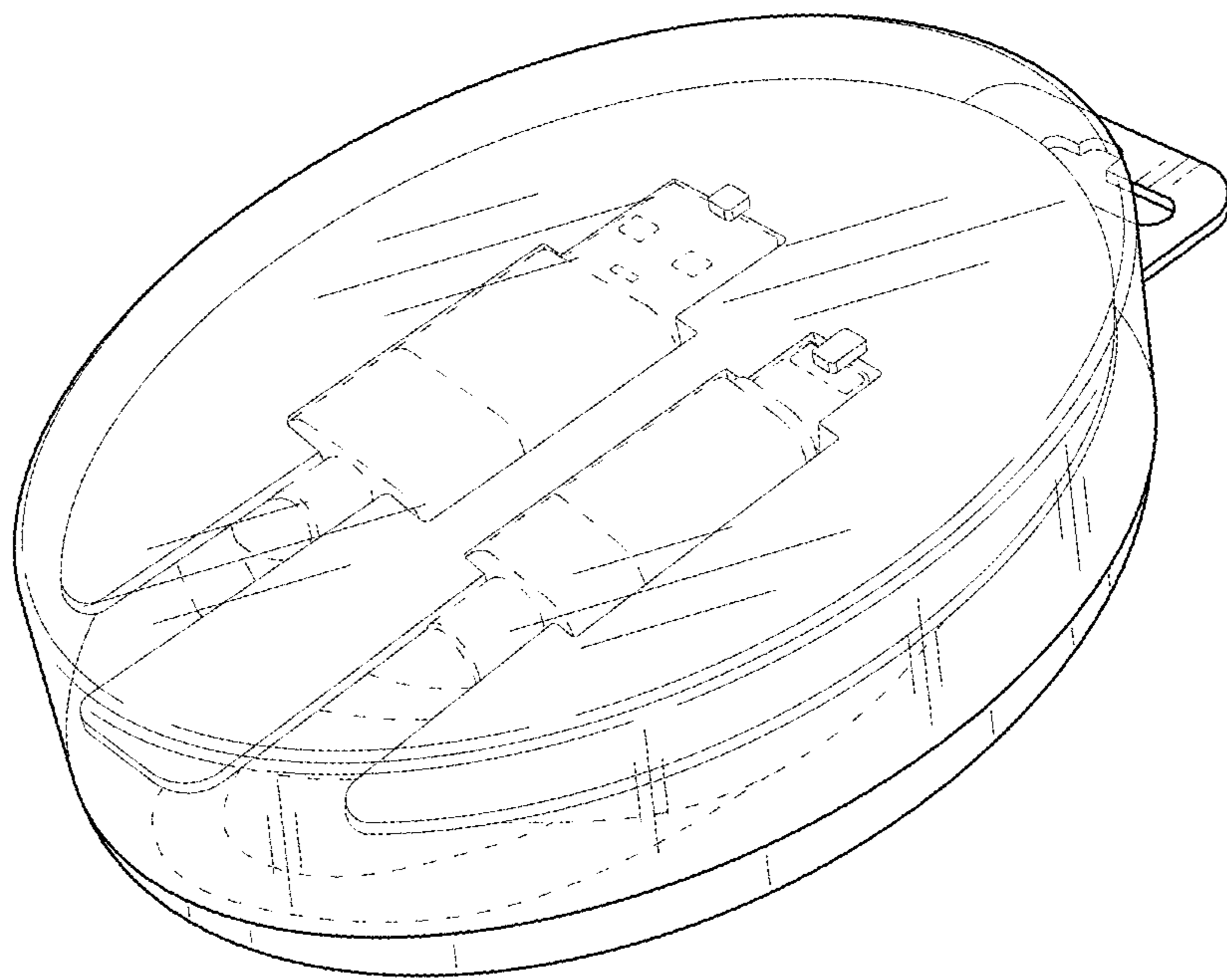


FIG. 8

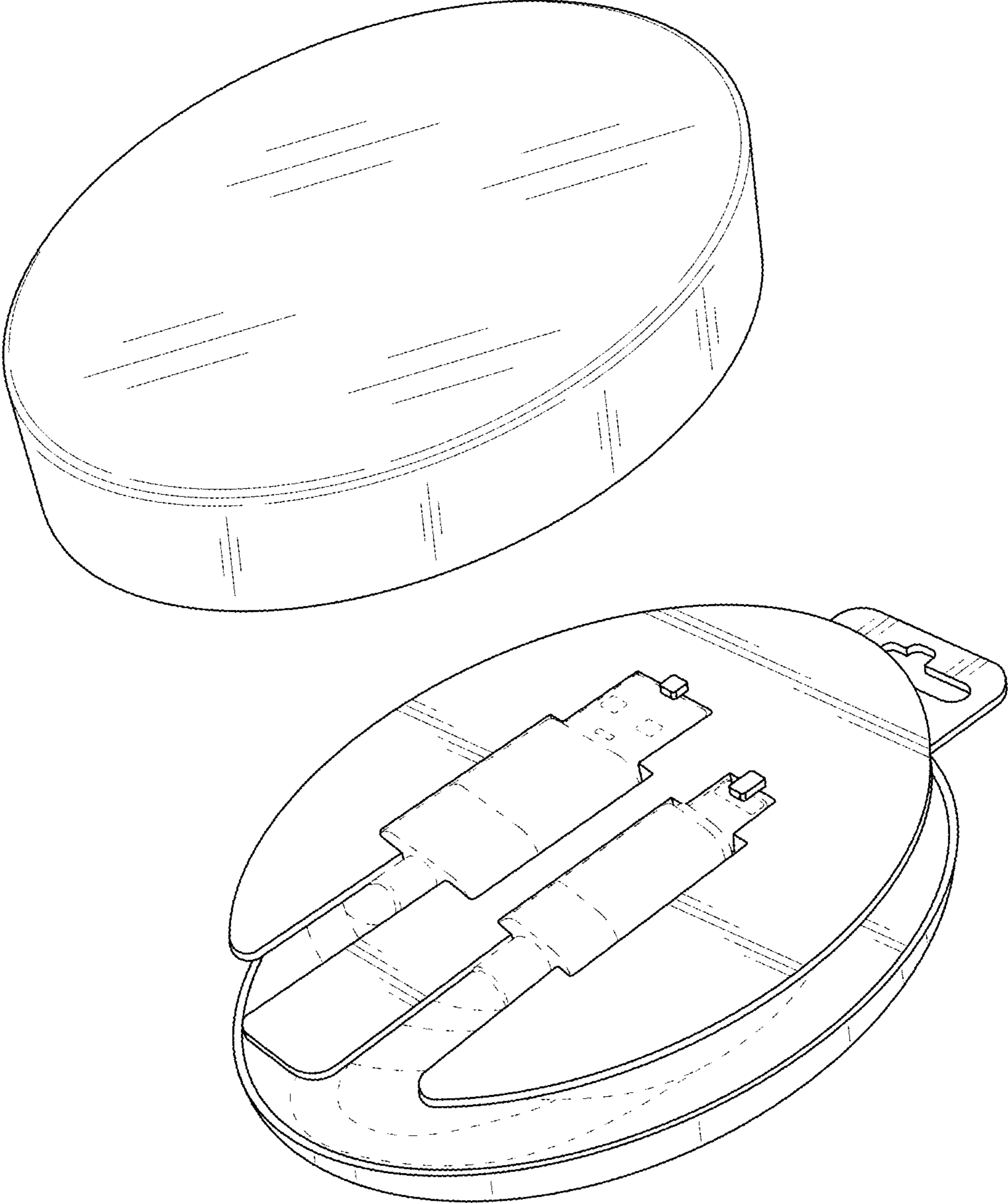


FIG. 9