



US00D906098S

(12) **United States Design Patent** (10) **Patent No.:** **US D906,098 S**  
**Chen** (45) **Date of Patent:** **\*\* Dec. 29, 2020**

(54) **CONNECTOR OF SYSTEMATIC BOARD OF BUILDING**

(71) Applicants: **SHAN YEUN CO., LTD.**, Yilan County (TW); **Alberta Ltd.**, Edmonton (CA)

(72) Inventor: **Wen-Chi Chen**, Yilan County (TW)

(73) Assignees: **SHAN YEUN CO., LTD.**, Yilan County (TW); **2145677 ALBERTA LTD.**, Edmonton (CA)

(\*\*) Term: **15 Years**

(21) Appl. No.: **29/673,975**

(22) Filed: **Dec. 19, 2018**

(30) **Foreign Application Priority Data**

Nov. 2, 2018 (TW) ..... 107306508

(51) **LOC (12) Cl.** ..... **08-08**

(52) **U.S. Cl.**  
USPC ..... **D8/382**

(58) **Field of Classification Search**  
USPC ..... D8/349, 354, 366, 373, 380, 381, 382, D8/384; D25/199  
CPC ..... E04F 11/166; E04F 13/26; E04F 13/0826; E04F 15/02044; E04F 15/048; E04F 15/02038; E04F 15/02005; E04F 19/02; E04F 19/066; E04F 19/061; E04F 2015/02077; E04F 2015/02094; E04F 2201/0547; E04B 1/40; E04B 2001/405  
See application file for complete search history.

(56) **References Cited**

**U.S. PATENT DOCUMENTS**

D305,864 S \* 2/1990 Sun ..... D8/382  
D311,200 S \* 10/1990 Nakayama ..... D17/22  
D339,735 S \* 9/1993 Brennan ..... D8/354

D349,234 S \* 8/1994 Chan ..... D8/380  
5,560,117 A \* 10/1996 Tallman ..... G01B 3/30  
33/526  
D376,529 S \* 12/1996 Davies ..... D8/349  
D453,677 S \* 2/2002 Machijima ..... D8/354  
6,402,415 B1 \* 6/2002 Eberle ..... E04F 13/0846  
403/231  
D485,160 S \* 1/2004 Pelc ..... E04F 15/04  
D8/382  
6,711,864 B2 \* 3/2004 Erwin ..... E01C 5/22  
52/582.1  
7,052,200 B2 \* 5/2006 Harris ..... E04F 15/04  
403/231  
7,578,105 B2 \* 8/2009 Eberle, III ..... E04F 15/04  
403/231  
D604,599 S \* 11/2009 Prichard, Jr. .... D8/382  
D610,434 S \* 2/2010 Watts ..... D8/349  
D610,440 S \* 2/2010 Prichard, Jr. .... D8/382

(Continued)

*Primary Examiner* — Sandra Snapp  
*Assistant Examiner* — Ieisha N Price  
(74) *Attorney, Agent, or Firm* — Leong C. Lei

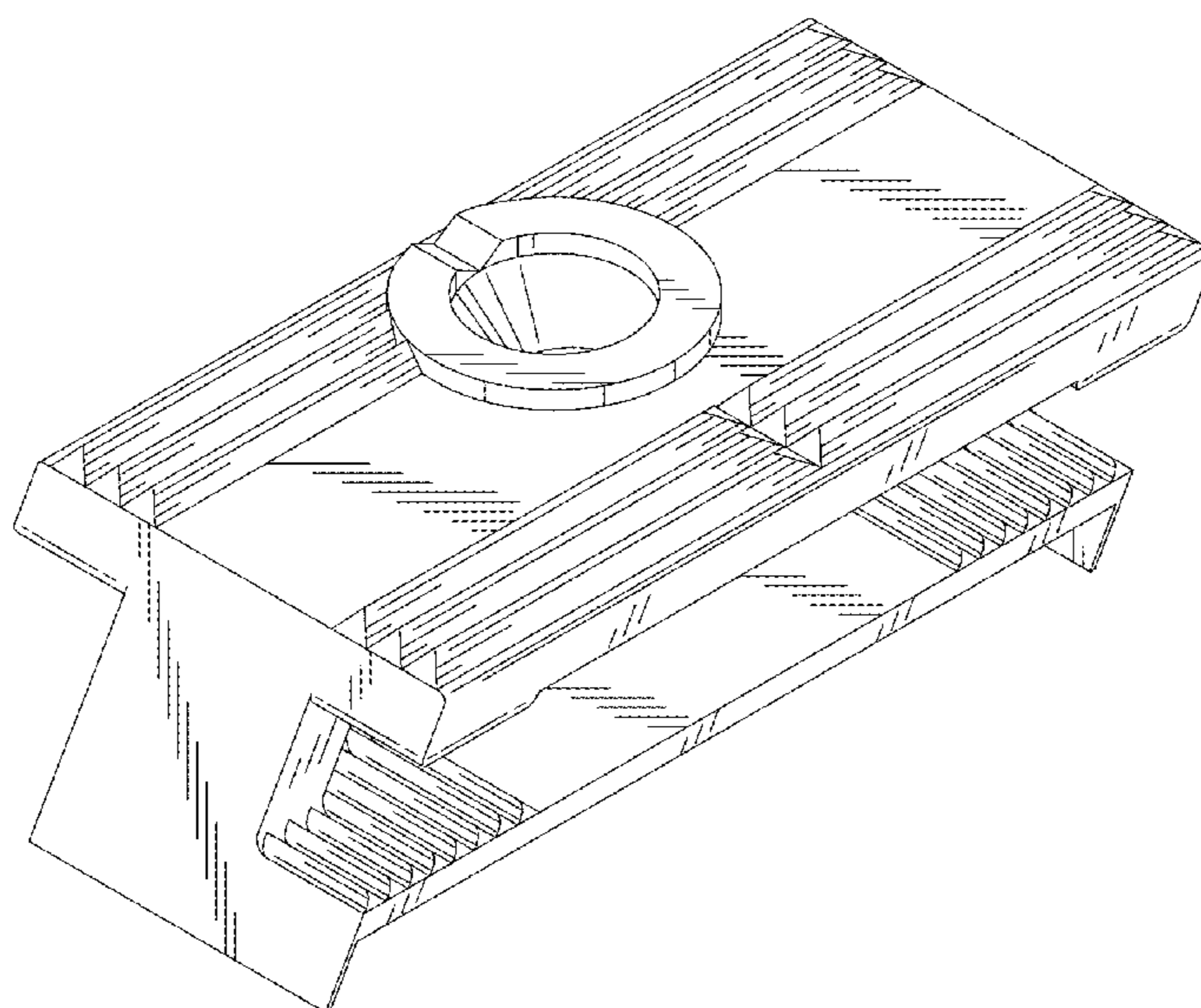
(57) **CLAIM**

The ornamental design for a connector of systematic board of building, as shown and described.

**DESCRIPTION**

FIG. 1 is a perspective view of a connector of systematic board of building showing my new design; FIG. 2 is a front elevational view thereof; FIG. 3 is a rear elevational view thereof; FIG. 4 is a left side elevational view thereof; FIG. 5 is a right side elevational view thereof; FIG. 6 is a top plan view thereof; FIG. 7 is a bottom plan view thereof; and, FIG. 8 is a right side perspective view thereof. The broken lines in the drawings illustrate portions of the connector of systematic board of building and form no part of the claimed design.

**1 Claim, 6 Drawing Sheets**



(56)

**References Cited**

## U.S. PATENT DOCUMENTS

9,181,715	B2 *	11/2015	Orchard	.....	E04F 15/02044
D752,415	S *	3/2016	Lu	.....	D8/349
D850,892	S *	6/2019	Lin	.....	D8/373
10,494,820	B1 *	12/2019	Chen	.....	E04F 15/02005
10,570,629	B1 *	2/2020	Chen	.....	E04F 19/02
2014/0174025	A1 *	6/2014	Kinnunen	.....	E04F 15/02044 52/745.05
2015/0040508	A1 *	2/2015	Zhang	.....	E04F 15/02044 52/582.1
2015/0040514	A1 *	2/2015	Hinkle	.....	E04F 21/22 52/745.13
2015/0354204	A1 *	12/2015	Kinnunen	.....	F16B 5/0072 248/228.5
2015/0376903	A1 *	12/2015	Glancy	.....	E04F 13/0805 52/489.1
2016/0362902	A1 *	12/2016	Lee	.....	E04F 15/02161
2017/0044776	A1 *	2/2017	Rodriguez Lopez	.....	E04F 13/0826
2018/0112387	A1 *	4/2018	Bertato	.....	E04B 1/0038
2018/0238060	A1 *	8/2018	Doupe	.....	E04F 15/102

\* cited by examiner

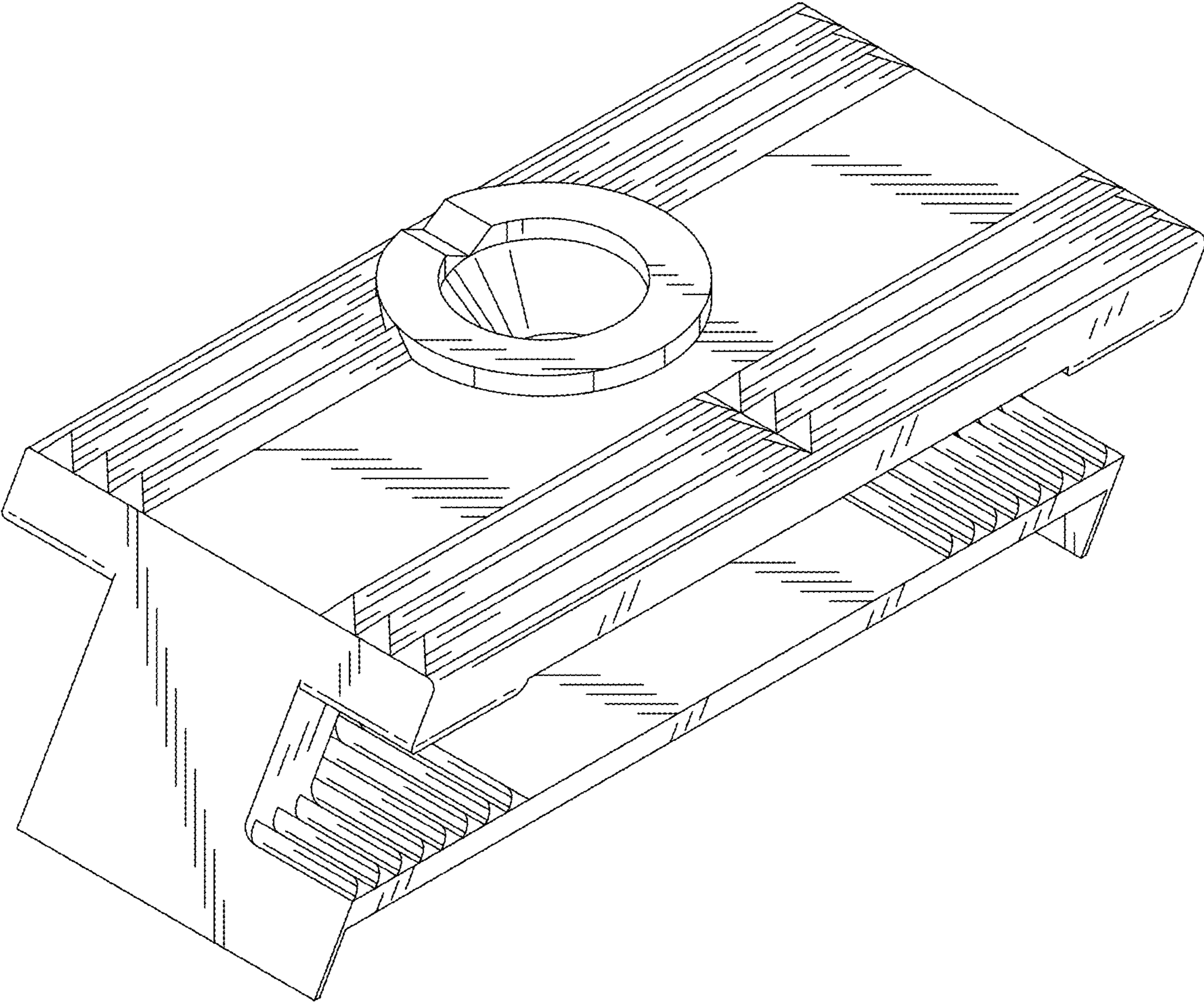


FIG. 1

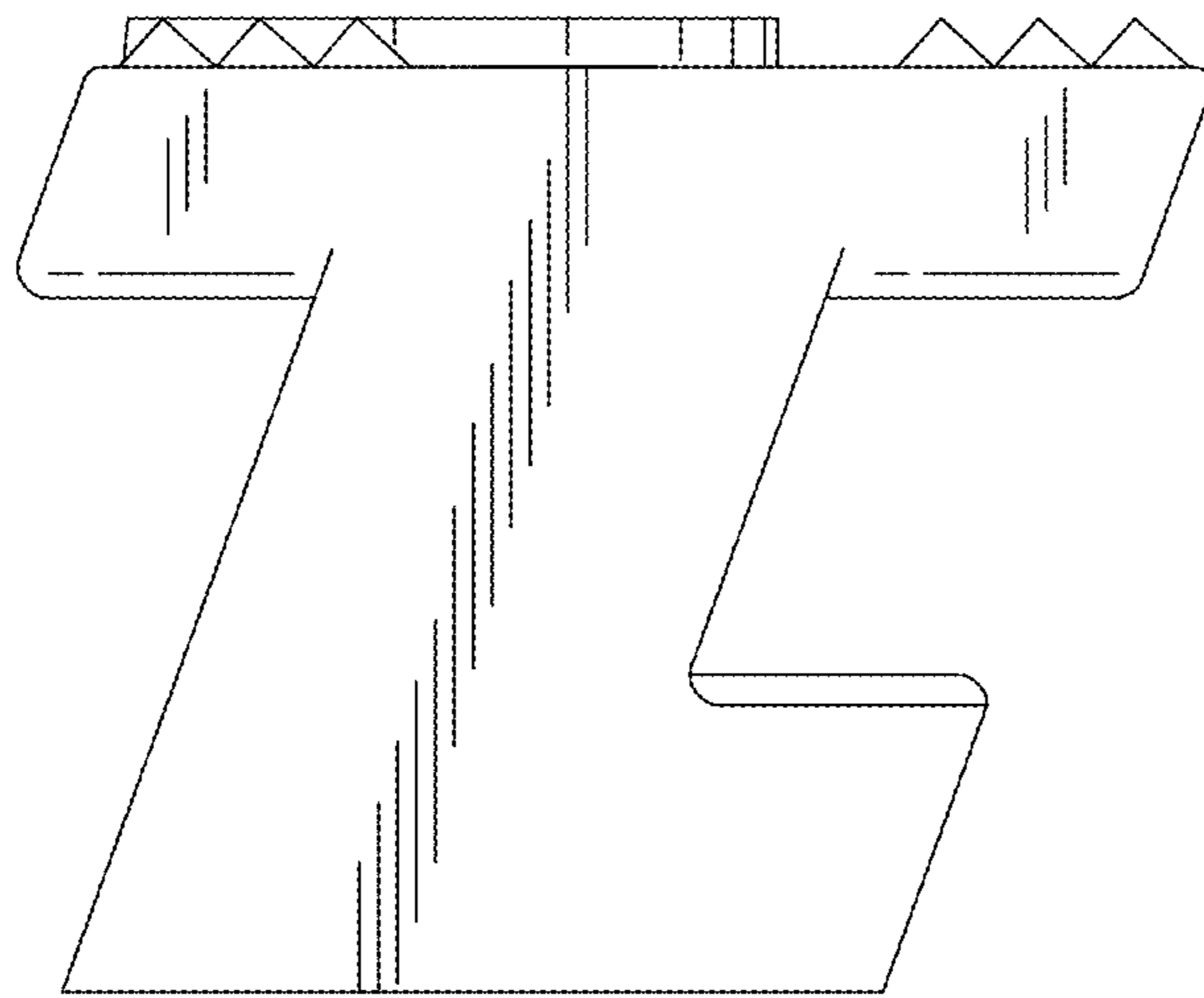


FIG. 2

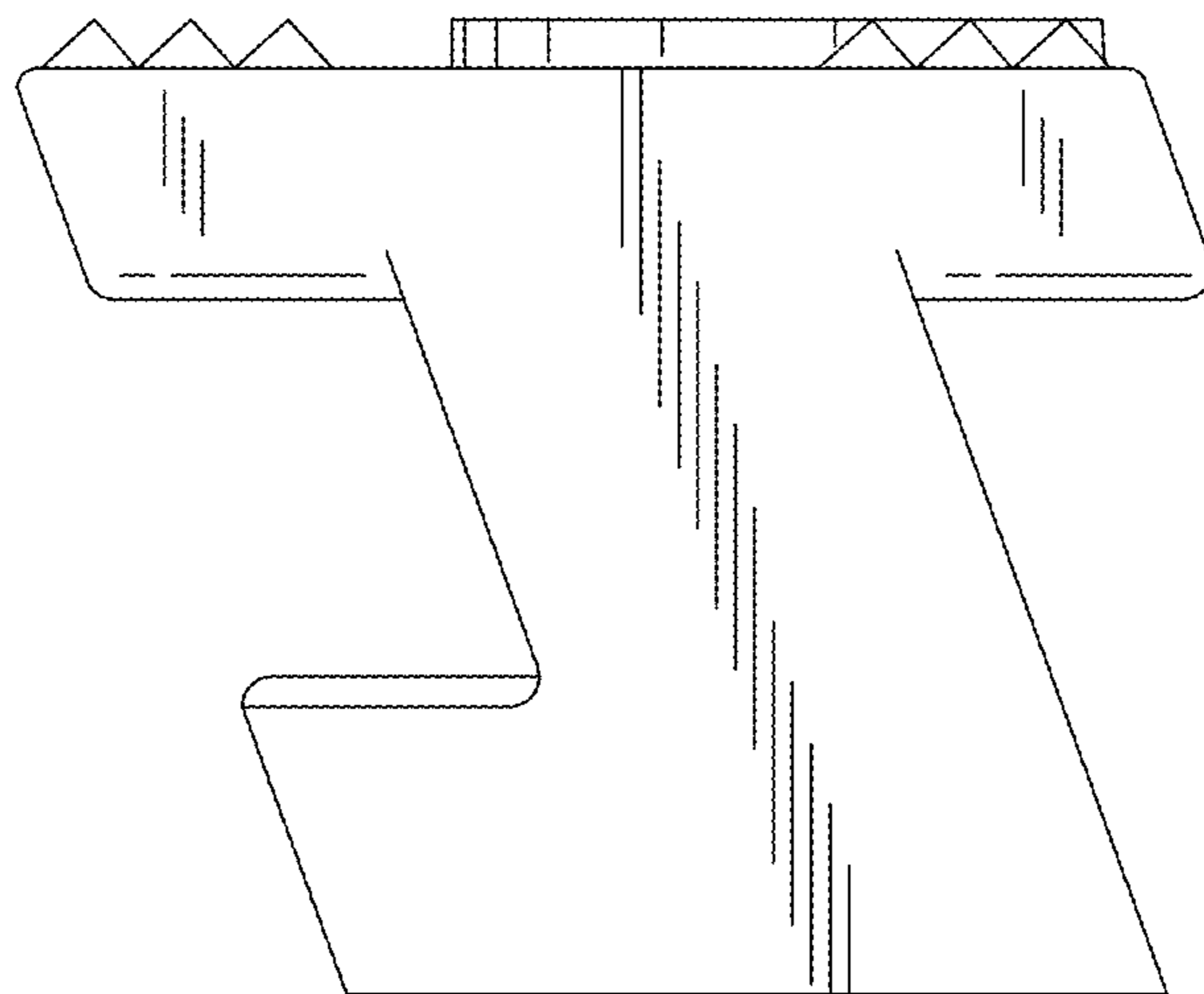


FIG. 3



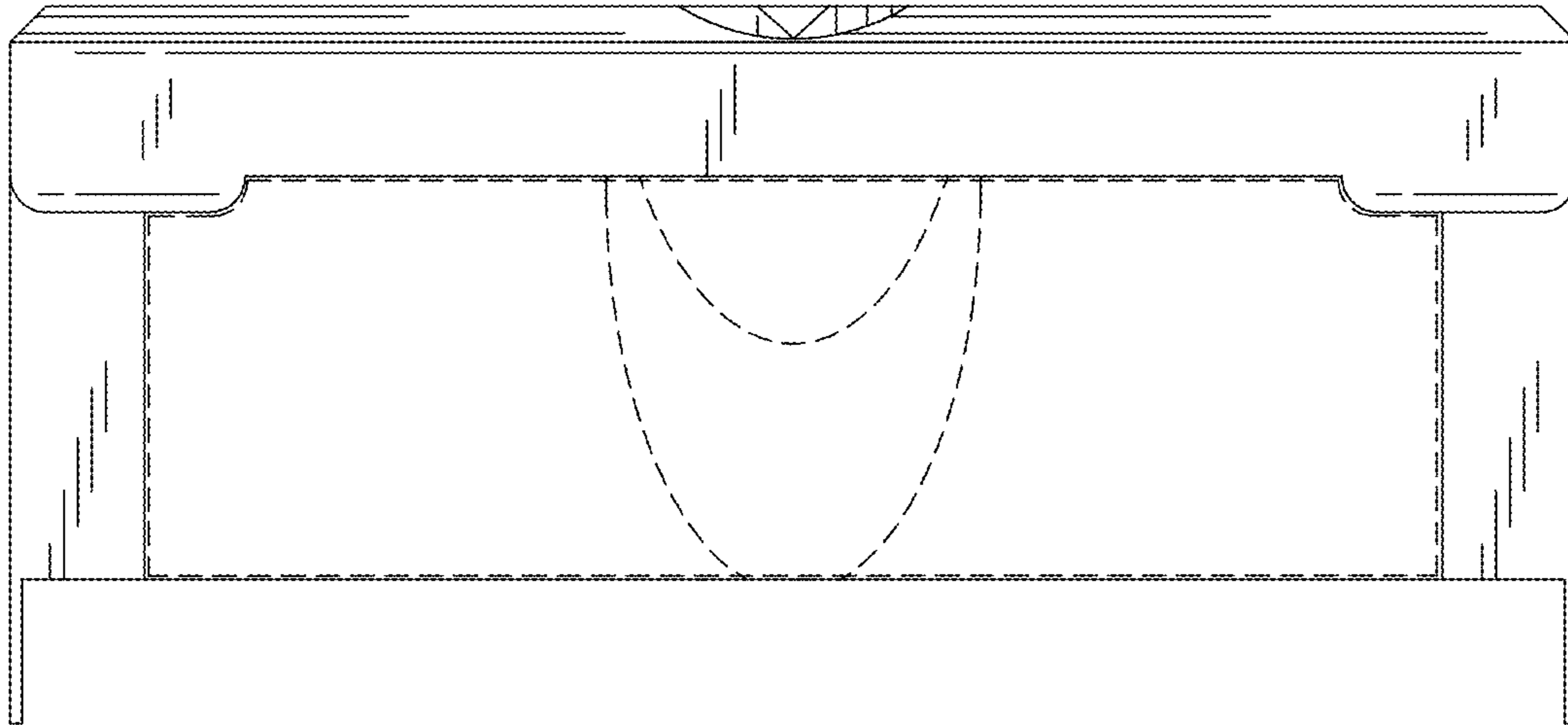


FIG. 4

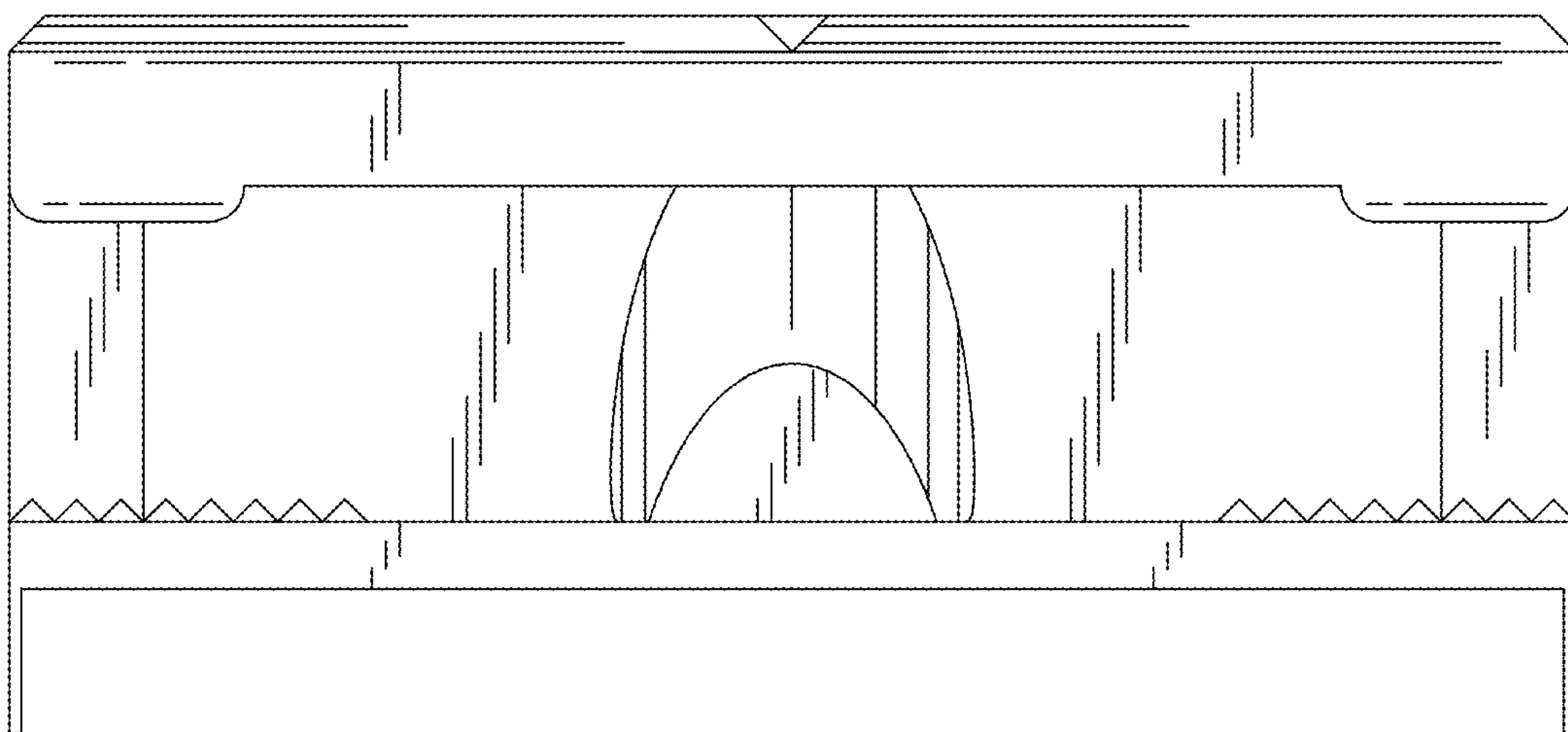


FIG. 5

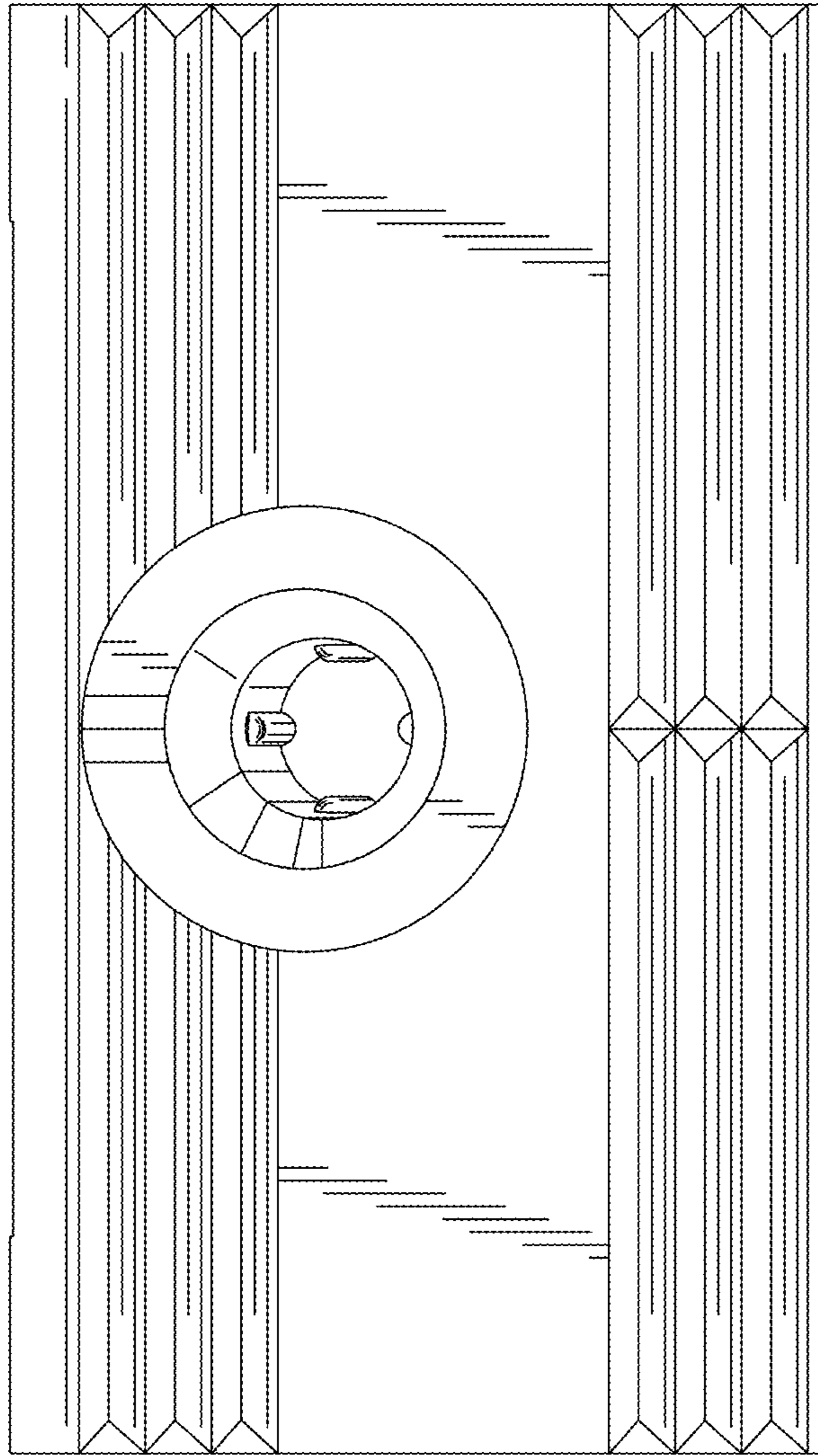


FIG. 6

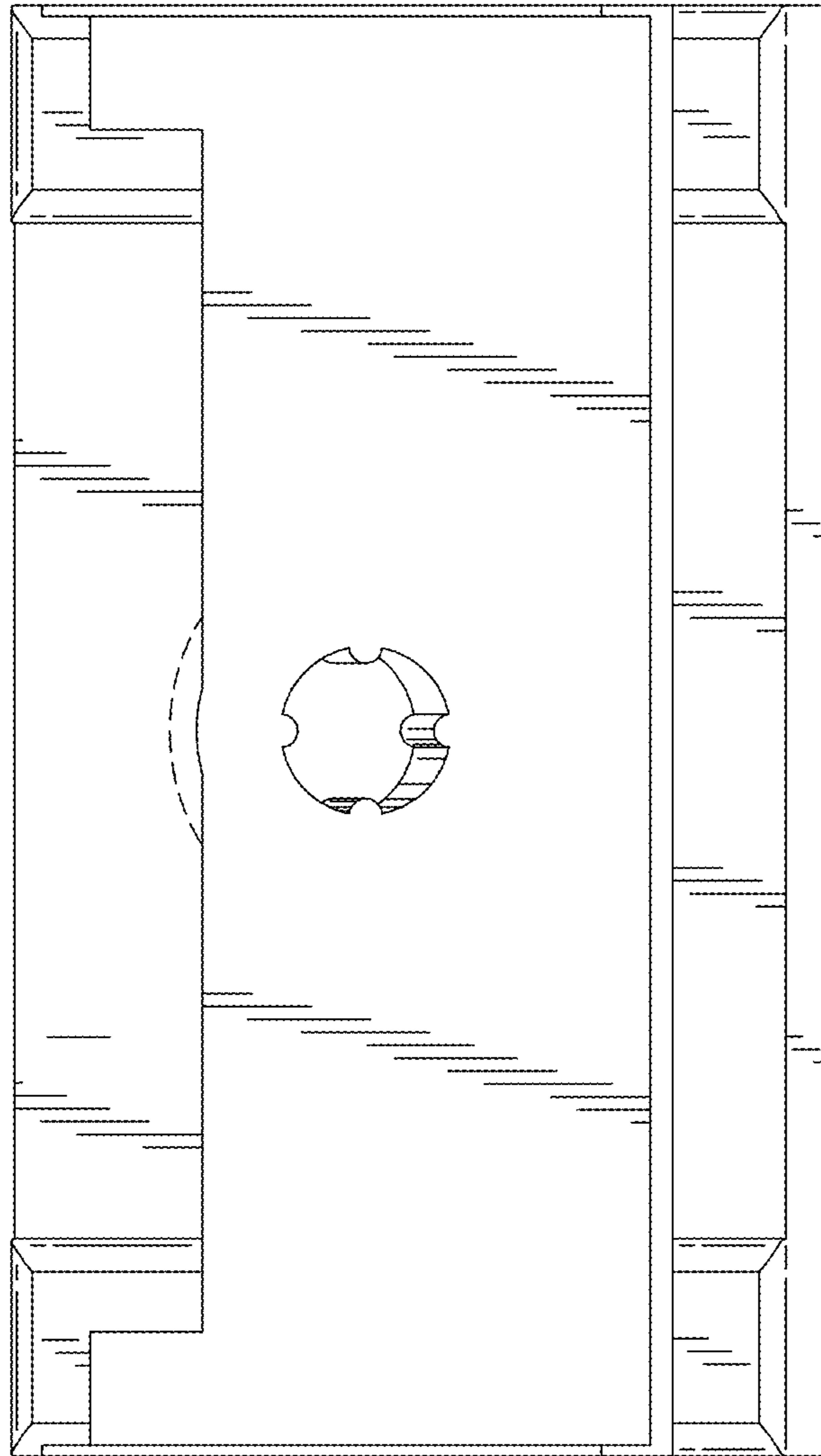


FIG. 7

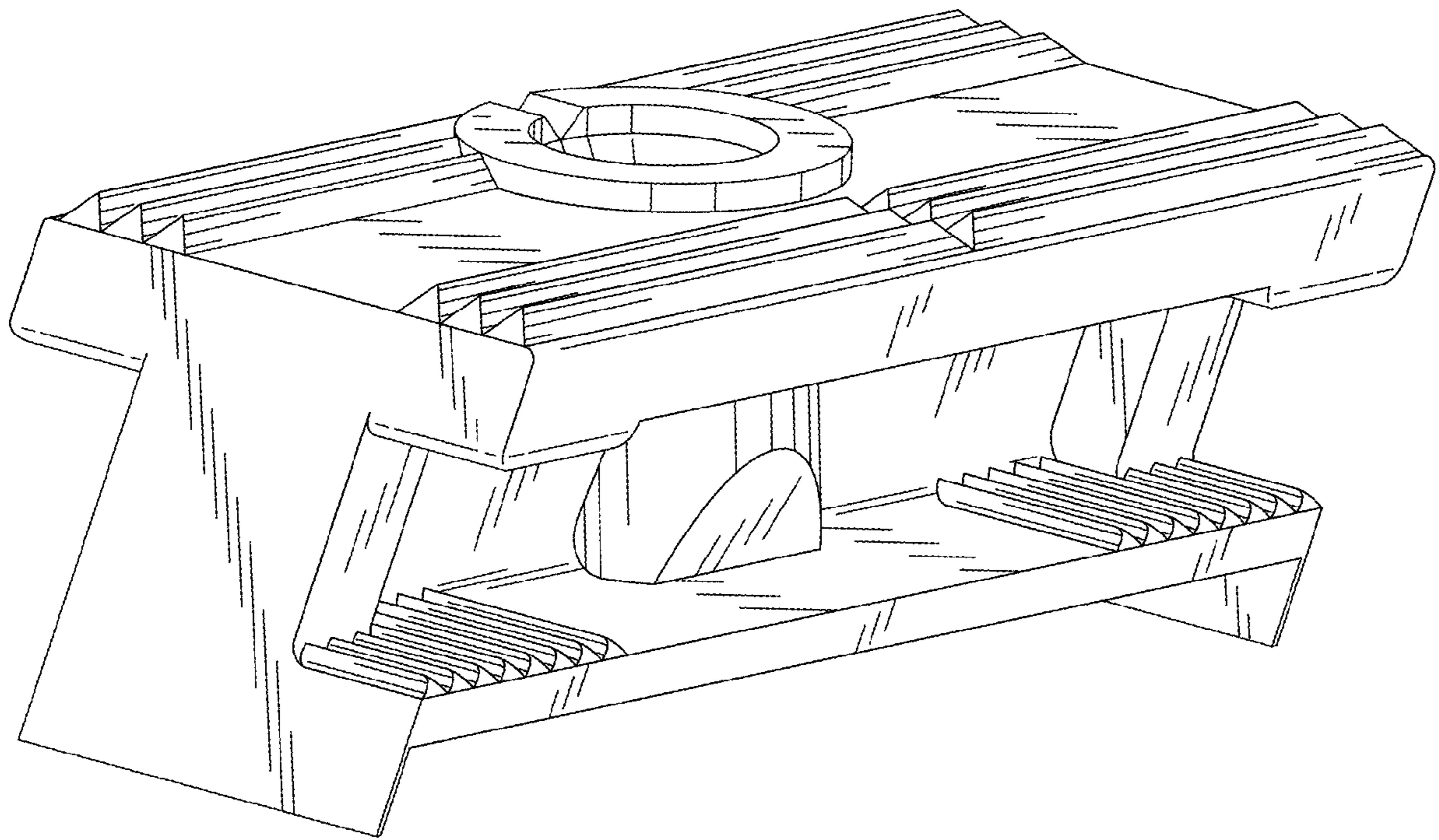


FIG. 8