

US00D906096S

(12) **United States Design Patent**  
**Larouche**

(10) **Patent No.:** **US D906,096 S**  
(45) **Date of Patent:** **\*\* Dec. 29, 2020**

(54) **SWIMMING POOL TELESCOPING POLE**

(71) Applicant: **CPA POOL PRODUCTS, INC.**,  
Blainville (CA)

(72) Inventor: **Annie Larouche**, Mascouche (CA)

(73) Assignee: **CPA POOL PRODUCTS, INC.**,  
Blainville (CA)

(\*\*) Term: **15 Years**

(21) Appl. No.: **29/605,846**

(22) Filed: **May 31, 2017**

**Related U.S. Application Data**

(62) Division of application No. 29/561,604, filed on Apr. 18, 2016, now Pat. No. Des. 796,133.

(51) **LOC (12) Cl.** ..... **08-05**

(52) **U.S. Cl.**  
USPC ..... **D8/355; D32/25**

(58) **Field of Classification Search**  
USPC .... D32/40, 23, 25, 31, 32, 19, 33; D23/208,  
D23/266, 262; D16/245; D8/107, 349,  
D8/350, 353, 354, 355, 356, 359, 366,  
D8/367, 373, 374, 394; D22/142, 134,  
D22/137, 138, 139  
CPC .. F16L 27/12; F16B 7/14; A47L 9/244; A46B  
11/063; E04H 4/1609  
See application file for complete search history.

(56) **References Cited**

**U.S. PATENT DOCUMENTS**

- D267,906 S \* 2/1983 Parise ..... D32/31
- D354,554 S \* 1/1995 Newman, Sr. .... D23/266
- 5,417,503 A \* 5/1995 Brennan, III ..... E04H 4/1609  
401/92
- D379,401 S \* 5/1997 Cobb ..... D22/142
- D477,445 S \* 7/2003 Schroter ..... D32/31

- D502,578 S \* 3/2005 Roschi ..... D32/31
- D513,101 S \* 12/2005 Allard ..... D32/32
- D642,754 S \* 8/2011 Fjellman ..... D32/31
- D670,150 S \* 11/2012 Angel ..... D8/107
- D674,158 S \* 1/2013 Kim ..... D32/31
- D736,600 S \* 8/2015 Rossano ..... D8/355
- 9,241,560 B1 \* 1/2016 Angel ..... A46B 11/063
- D770,601 S \* 11/2016 Melo ..... D23/266
- D784,490 S \* 4/2017 Larouche ..... D23/208
- D785,264 S \* 4/2017 Webster ..... D32/31
- D796,132 S \* 8/2017 Yoon ..... D32/31
- D796,133 S \* 8/2017 Larouche ..... D32/25
- D806,963 S \* 1/2018 Nam ..... D32/23
- D853,670 S \* 7/2019 Hu ..... D32/40
- D856,401 S \* 8/2019 Liu ..... D16/245

(Continued)

*Primary Examiner* — Susan E Krakower

*Assistant Examiner* — Jerry Shiuan-Hua Hsu

(74) *Attorney, Agent, or Firm* — Hodgson Russ LLP

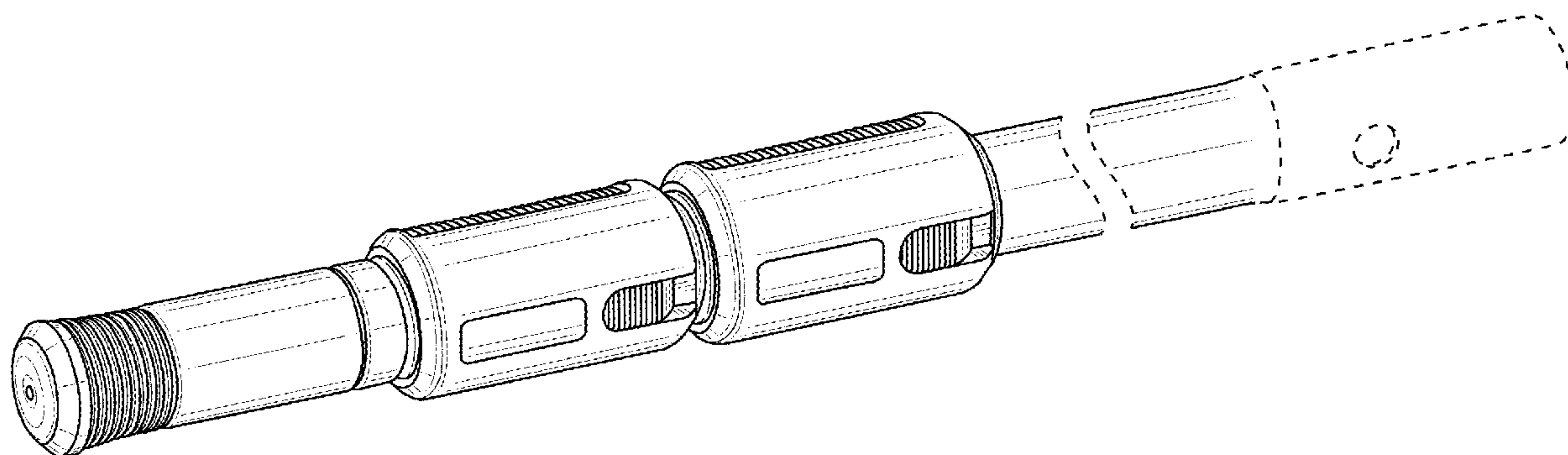
(57) **CLAIM**

The ornamental design for a swimming pool telescoping pole, as shown and described.

**DESCRIPTION**

FIG. 1 is a front perspective view of a swimming pool telescoping pole, showing my new design; FIG. 2 is a left side elevation view thereof; FIG. 3 is a right side elevation view thereof; FIG. 4 is a top plan view thereof; FIG. 5 is a bottom plan view thereof; FIG. 6 is a rear elevation view thereof; and, FIG. 7 is a front elevation view thereof. The broken lines illustrate unclaimed portions of the swimming pool telescoping pole that form no part of the claimed design. The swimming pool telescoping pole is shown with symbolic breaks in its length. The appearance of any portion of the article between the break lines forms no part of the claimed design.

**1 Claim, 6 Drawing Sheets**



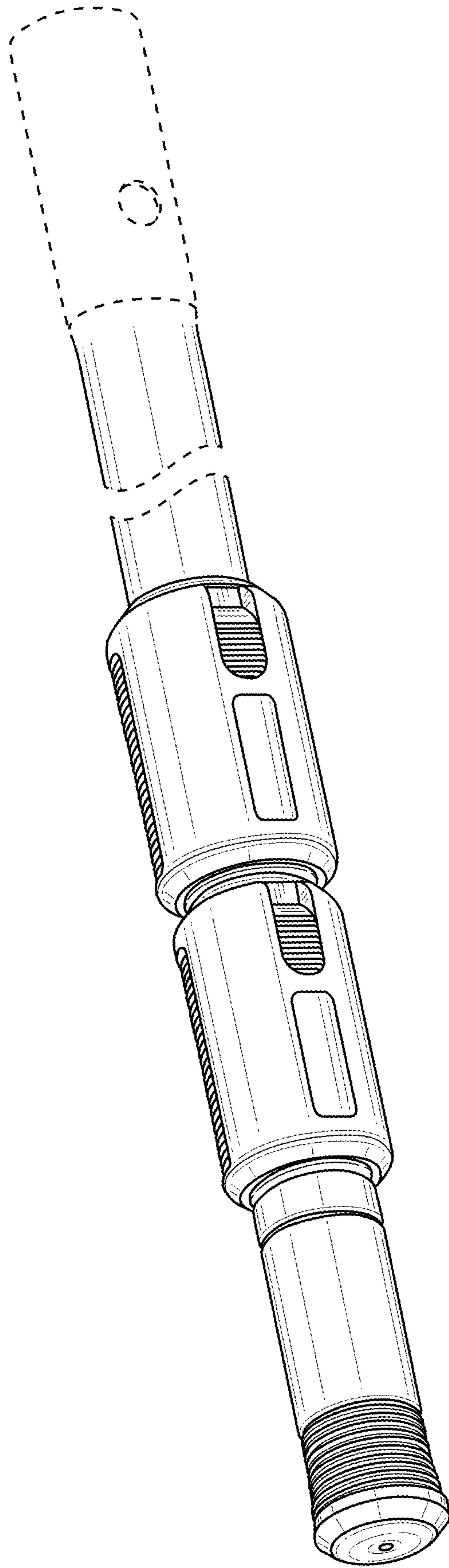
(56)

**References Cited**

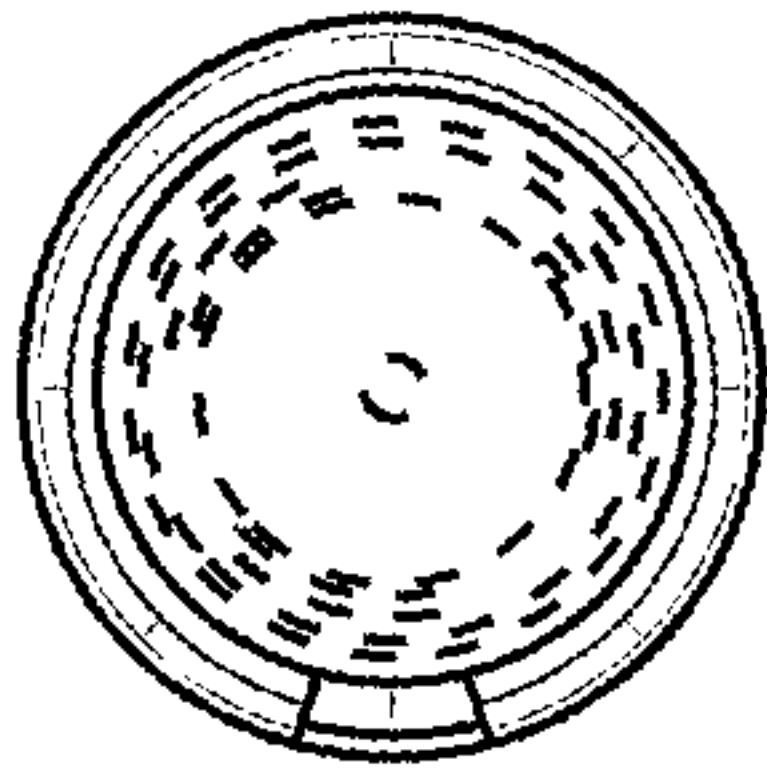
U.S. PATENT DOCUMENTS

2002/0047264 A1\* 4/2002 Kim ..... A47L 9/244  
285/7  
2002/0141812 A1\* 10/2002 Edelen ..... F16B 7/14  
403/109.1  
2016/0091130 A1\* 3/2016 Thompson ..... F16L 27/12  
285/123.3

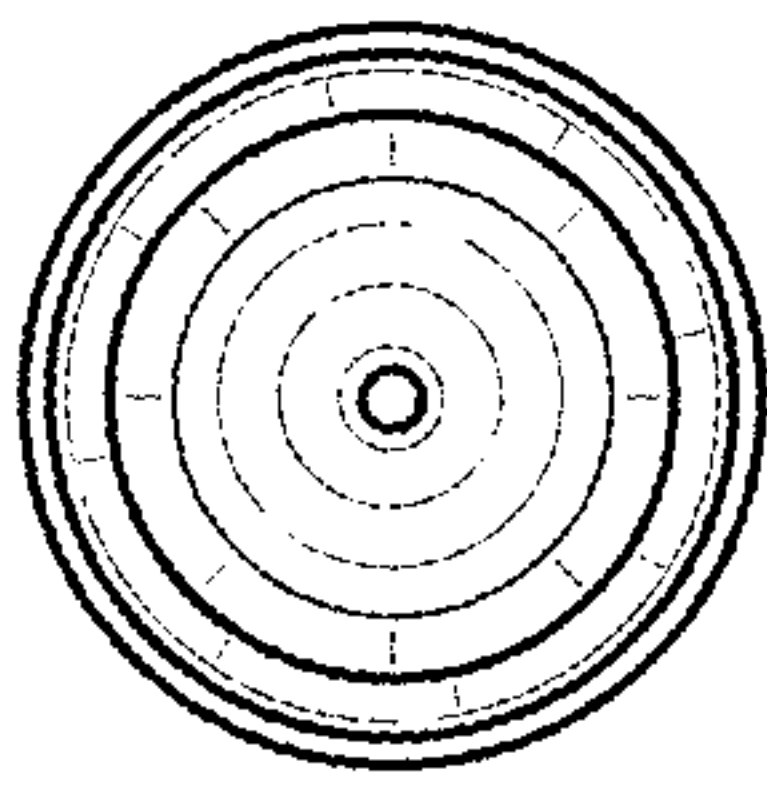
\* cited by examiner



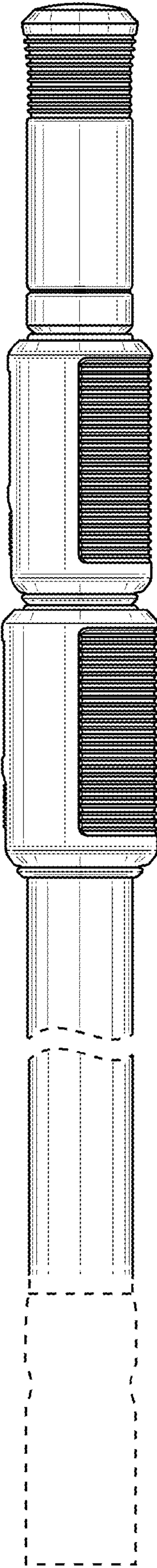
**FIG. 1**



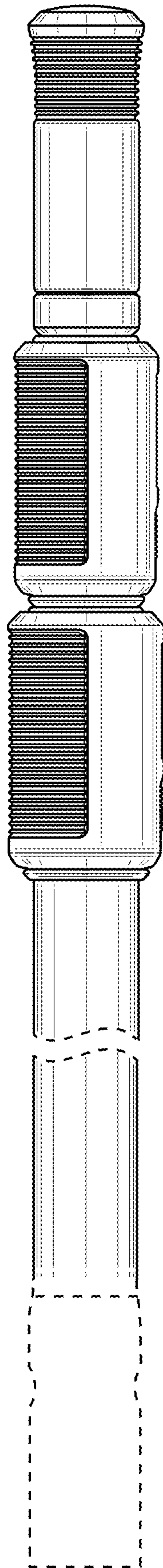
**FIG. 3**



**FIG. 2**

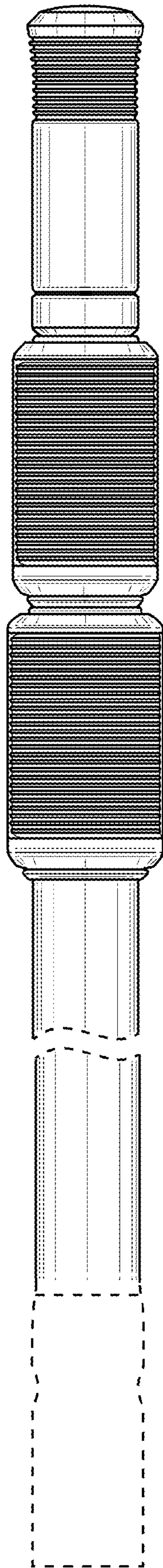


**FIG. 4**

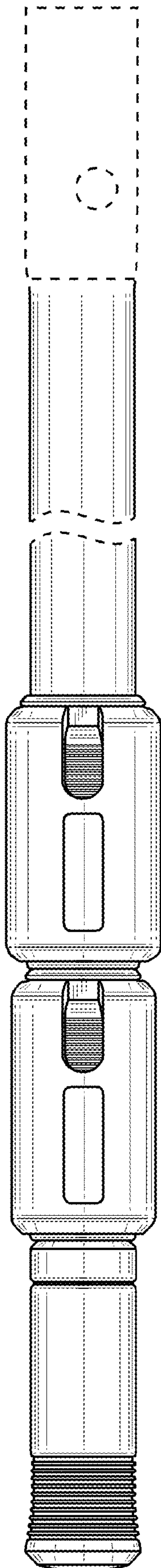


**FIG. 5**





**FIG. 6**



**FIG. 7**