



US00D906095S

(12) **United States Design Patent**
DeDios-Shirley et al.

(10) **Patent No.:** **US D906,095 S**
(45) **Date of Patent:** **** Dec. 29, 2020**

(54) **MOUNT**
(71) Applicant: **HIDEit Mounts, Inc.**, Reno, NV (US)
(72) Inventors: **Relina Belen DeDios-Shirley**, Reno, NV (US); **Charles Edward Shirley**, Reno, NV (US); **Jeffrey Lawrence Pitt**, Reno, NV (US)
(73) Assignee: **HIDEit Mounts, Inc.**, Reno, NV (US)

D398,470 S 9/1998 St-Pierre et al.
D409,079 S 5/1999 Sobczynski
D423,328 S 4/2000 Burrows
D425,070 S 5/2000 Johnson
D426,041 S 5/2000 Boghossian
6,357,713 B1 3/2002 BeBow
6,402,111 B1 6/2002 Stewart et al.
6,554,527 B1 4/2003 O'Donnell et al.
7,312,396 B1 12/2007 Gorman
D560,677 S 1/2008 Wohlford et al.

(Continued)

(**) Term: **15 Years**

OTHER PUBLICATIONS

(21) Appl. No.: **29/684,548**

HIDEit Mounts Universal Tablet Wall Mount, posted at bhphotovideo.com, posting date not given, [online], [site visited Aug. 26, 2020]. Available from Internet, URL: https://www.bhphotovideo.com/c/product/1443779-REG/hideit_mounts_hideit_uni_t_universal_tablet_wall_mount.html (Year: 2020).*

(22) Filed: **Mar. 21, 2019**

(51) **LOC (12) Cl.** **08-05**

(52) **U.S. Cl.**
USPC **D8/354**

(58) **Field of Classification Search**
USPC D8/354
CPC A47B 45/00; A47B 81/00; F16B 2/005
See application file for complete search history.

(Continued)

Primary Examiner — George D. Kirschbaum
Assistant Examiner — Maria J Edwards
(74) *Attorney, Agent, or Firm* — Holland & Hart LLP

(56) **References Cited**

(57) **CLAIM**

U.S. PATENT DOCUMENTS

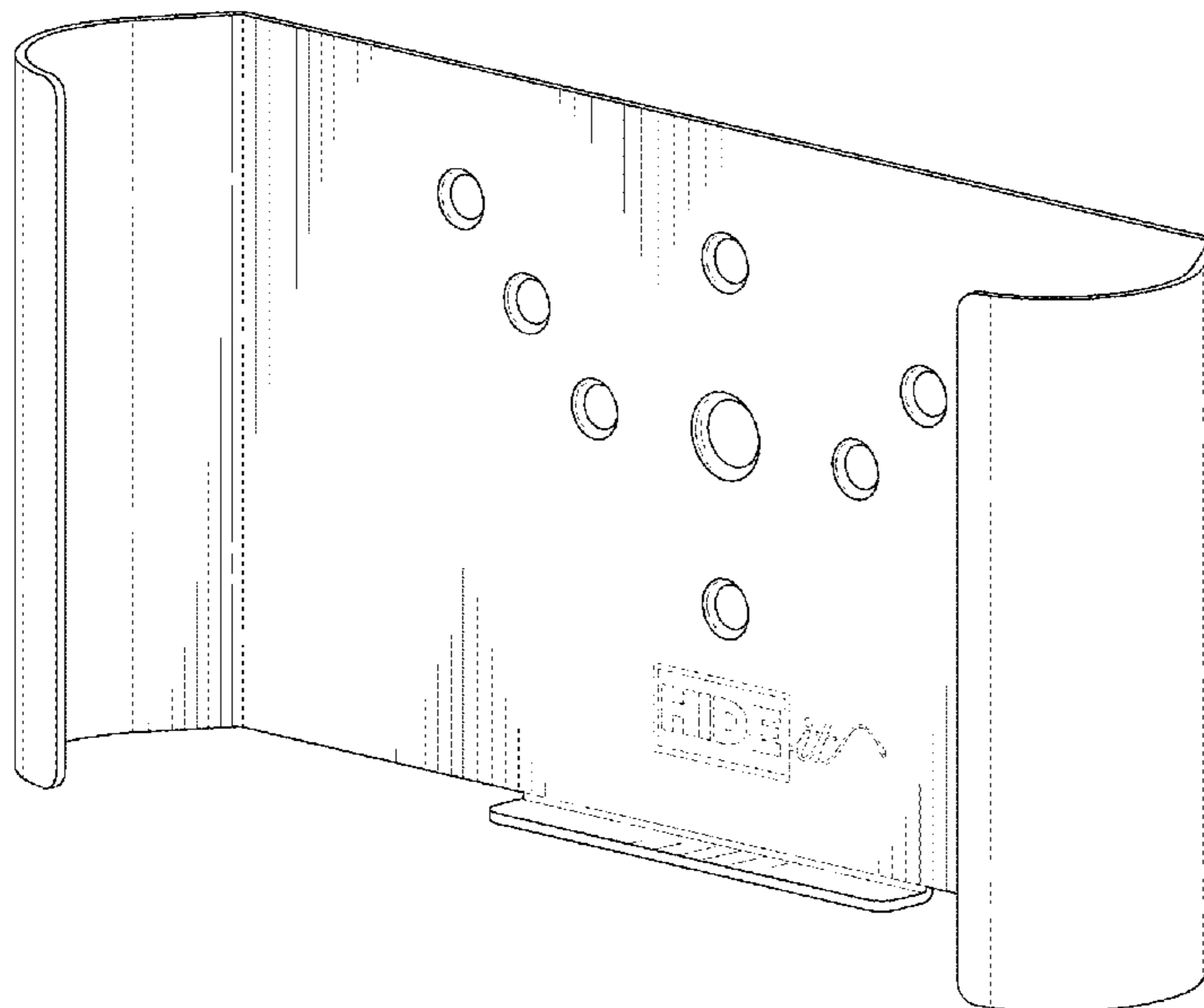
The ornamental design for a mount, as shown and described.

- D168,074 S 10/1952 Symington
- D242,766 S 12/1976 Neece
- D244,748 S 6/1977 Canterbury
- 4,079,604 A 3/1978 Anderegg
- 4,467,244 A 8/1984 Dickie
- D296,075 S 6/1988 Jones
- D306,133 S 2/1990 Zupancic
- D310,478 S 9/1990 Lang
- D312,185 S 11/1990 Prater, Sr.
- 5,044,589 A 9/1991 Milne et al.
- D321,135 S 10/1991 Bedell et al.
- 5,227,582 A 7/1993 Velasco et al.
- D370,171 S 5/1996 Emerson
- D376,751 S 12/1996 Hanson
- D388,136 S 12/1997 Lecocq et al.
- 5,765,850 A 6/1998 Emerson

DESCRIPTION

FIG. 1 is a front perspective view of a mount, according to the present design;
FIG. 2 is a front side view thereof;
FIG. 3 is a back side view thereof;
FIG. 4 is a top view thereof;
FIG. 5 is a bottom view thereof;
FIG. 6 is left side view thereof; and,
FIG. 7 is a right side view thereof.
The broken lines in the Figures represent a logo trademark and form no part of the claimed design.

1 Claim, 7 Drawing Sheets



(56)

References Cited

U.S. PATENT DOCUMENTS

D561,189 S 2/2008 Wohlford et al.
 D568,727 S 5/2008 Walker et al.
 D583,221 S 12/2008 Johnsen
 D598,273 S 8/2009 Nerskov
 D622,114 S 8/2010 Balliet
 7,918,426 B2 4/2011 Short et al.
 D645,902 S 9/2011 Tsai
 D654,350 S 2/2012 Preda
 8,141,836 B2 3/2012 Saez et al.
 D667,249 S 9/2012 London
 D667,288 S 9/2012 Preda
 D667,718 S 9/2012 Preda
 D684,033 S 6/2013 Preda
 D699,097 S * 2/2014 Chung D8/354
 D710,340 S 8/2014 Wengreen et al.
 D710,363 S 8/2014 Wengreen
 D730,719 S 6/2015 Sundberg
 D732,939 S 6/2015 Cannaverde
 D734,305 S 7/2015 Wengreen
 D735,174 S 7/2015 Wengreen
 D737,124 S 8/2015 Sasanecki
 D746,122 S 12/2015 Stoops
 D749,549 S * 2/2016 Wengreen D14/238.1
 D761,236 S 7/2016 Wengreen
 D764,256 S 8/2016 DeDios-Shirley et al.
 D767,973 S 10/2016 DeDios-Shirley et al.
 D773,836 S 12/2016 Eads
 D777,167 S 1/2017 Wengreen
 D803,030 S 11/2017 Wengreen
 D820,665 S 6/2018 DeDios-Shirley et al.
 D823,674 S 7/2018 Ng
 D825,576 S 8/2018 Krupa et al.
 D863,040 S * 10/2019 DeDios-Shirley D8/354
 D865,487 S * 11/2019 DeDios-Shirley D8/354
 D885,481 S * 5/2020 Tung D19/75

2003/0155474 A1 8/2003 Dean et al.
 2005/0023419 A1 2/2005 Frankel
 2007/0235609 A1 10/2007 Chun et al.
 2008/0296467 A1 12/2008 Havelock et al.
 2009/0052128 A1 2/2009 Yeh et al.
 2010/0299876 A1 12/2010 Kang
 2012/0312950 A1 12/2012 Sears
 2013/0105649 A1 5/2013 Wills et al.
 2015/0264823 A1 9/2015 Shirley et al.

OTHER PUBLICATIONS

HIDEit C-Amp Wall Mount, HIDEit Mounts, available on Amazon.
 Relina Belen DeDios-Shirley, et al., Design U.S. Appl. No. 29/530,127, filed Jun. 12, 2015, issued Aug. 23, 2016.
 Relina Belen DeDios-Shirley, et al., Design U.S. Appl. No. 29/530,129, filed Jun. 12, 2015, issued Oct. 4, 2016.
 Relina Belen DeDios-Shirley, et al., Design U.S. Appl. No. 29/588,834, filed Dec. 23, 2016.
 Relina Belen DeDios-Shirley, et al., Design U.S. Appl. No. 29/593,964, filed Feb. 14, 2017.
 Relina Belen DeDios-Shirley, et al., Design U.S. Appl. No. 29/604,572, filed May 18, 2017.
 Relina Belen DeDios-Shirley, et al., Design U.S. Appl. No. 29/611,079, filed Jul. 18, 2017.
 Relina Belen DeDios-Shirley, et al., Design U.S. Appl. No. 29/622,454, filed Oct. 17, 2017.
 Amazon; HIDEit 4S Mount for PlayStation 4 Slim; <https://www.amazon.com/HIDEit-4S-Mount-PlayStation-Slim-Wall/dp/B01MDMJMYC>.
 Amazon; Oct. 12, 2017, Amazon.com HIDEit Apple TV 4K Mount.
 HIDEit Apple TV 3 Mount: Gateway, available on Amazon.
 HIDEit Apple ATV Apr. 2015 Wall Mount for 4th Generation Apple TV, available on Amazon.

* cited by examiner

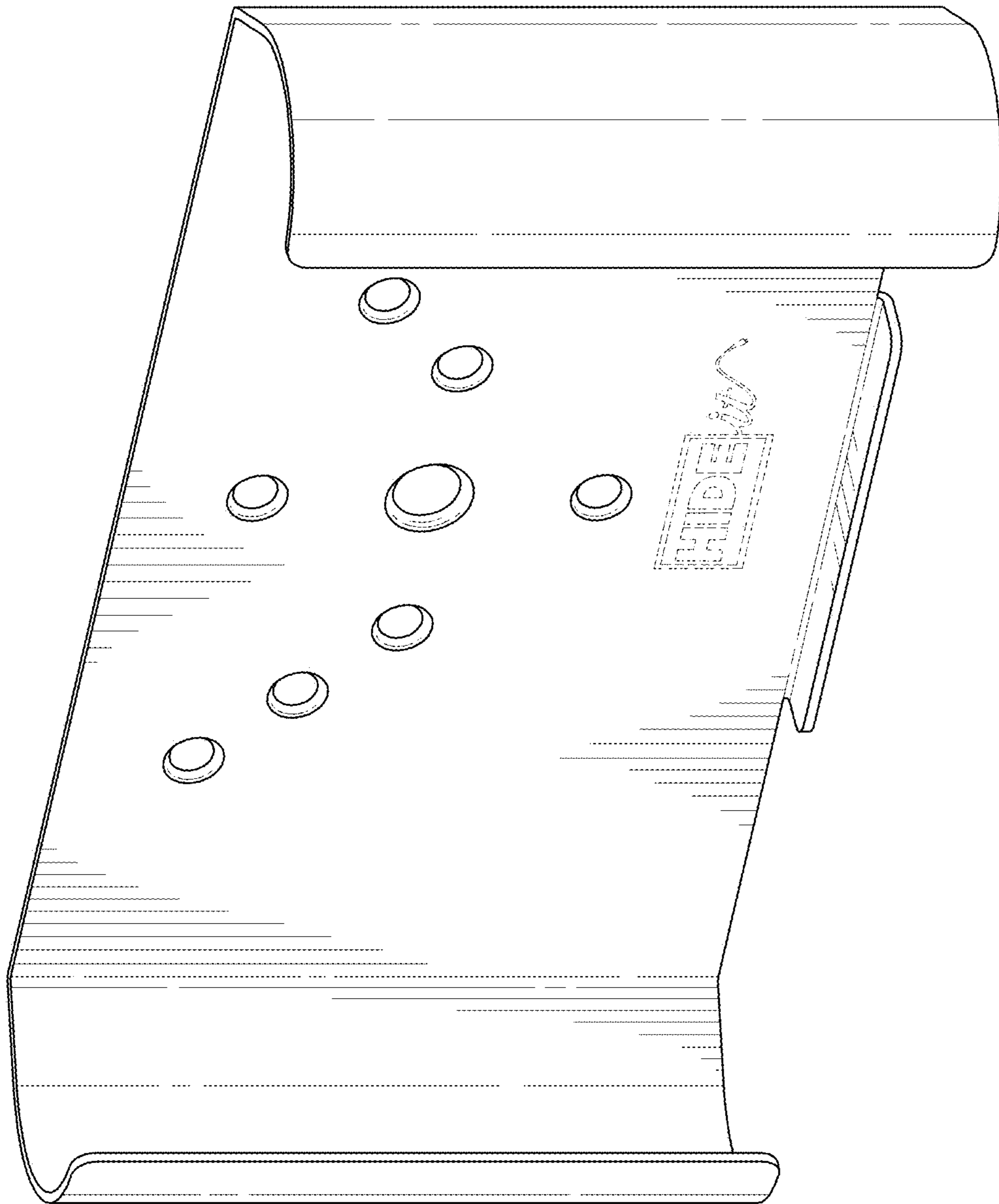


FIG. 1

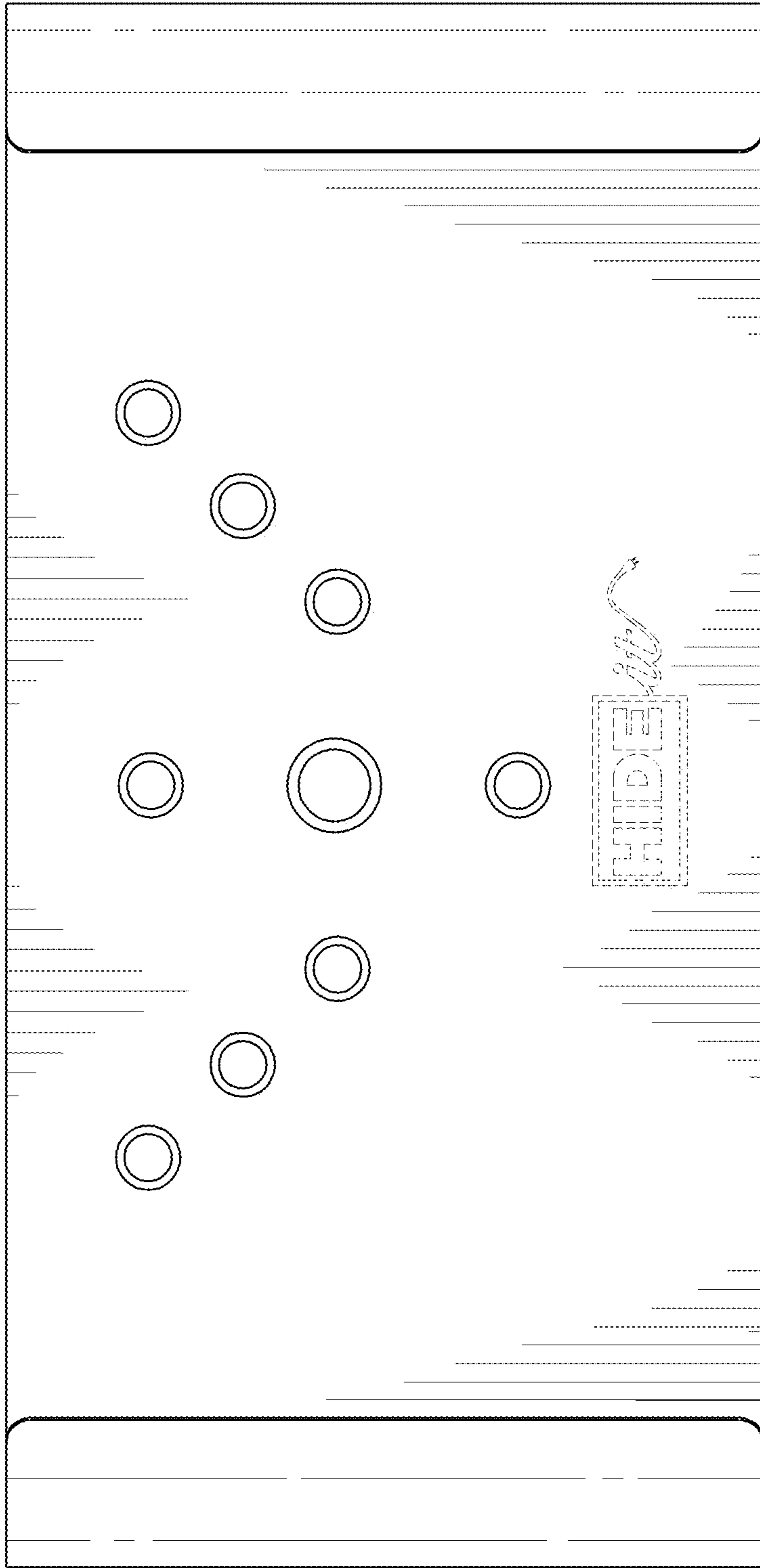


FIG. 2

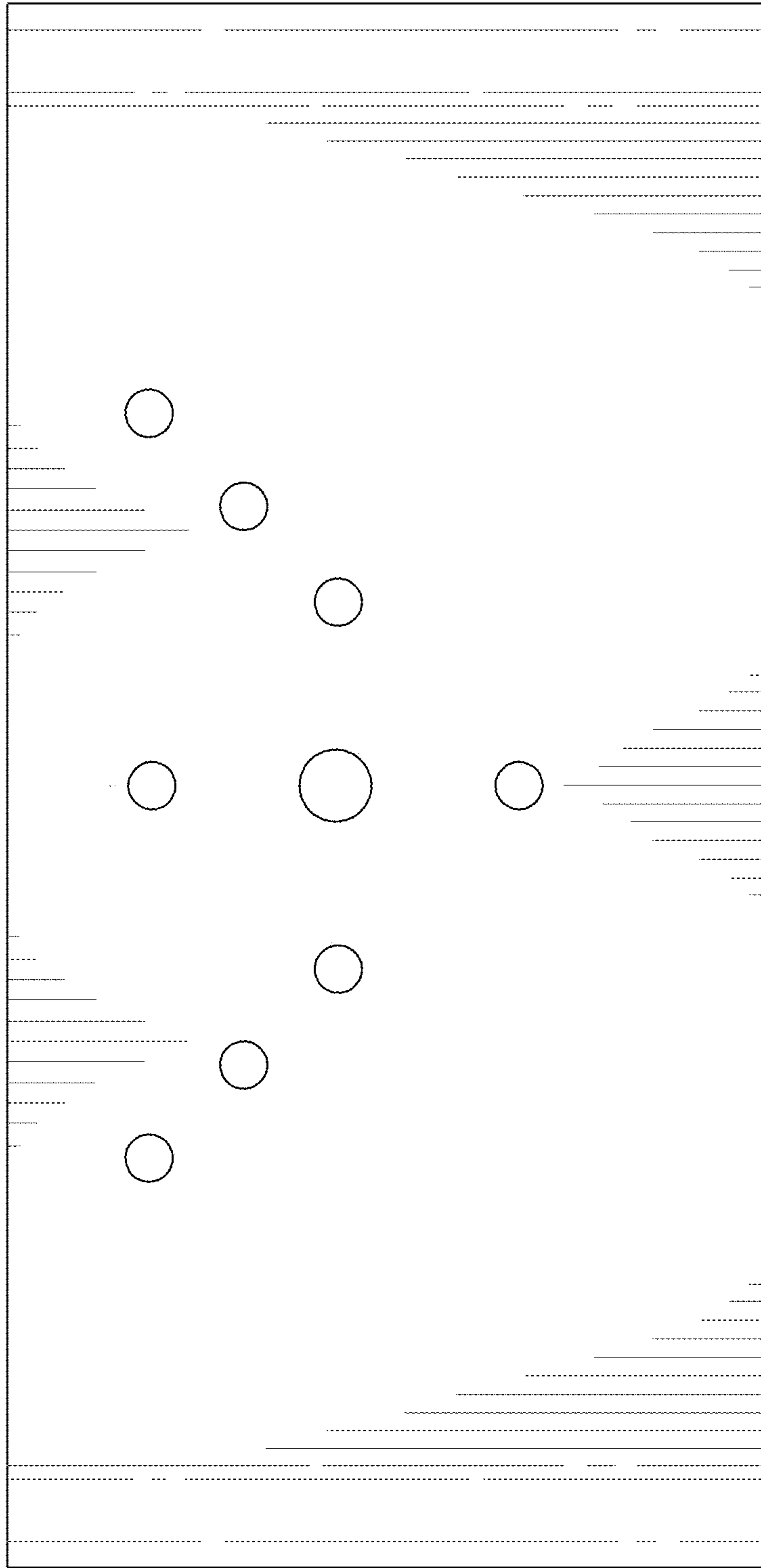


FIG. 3

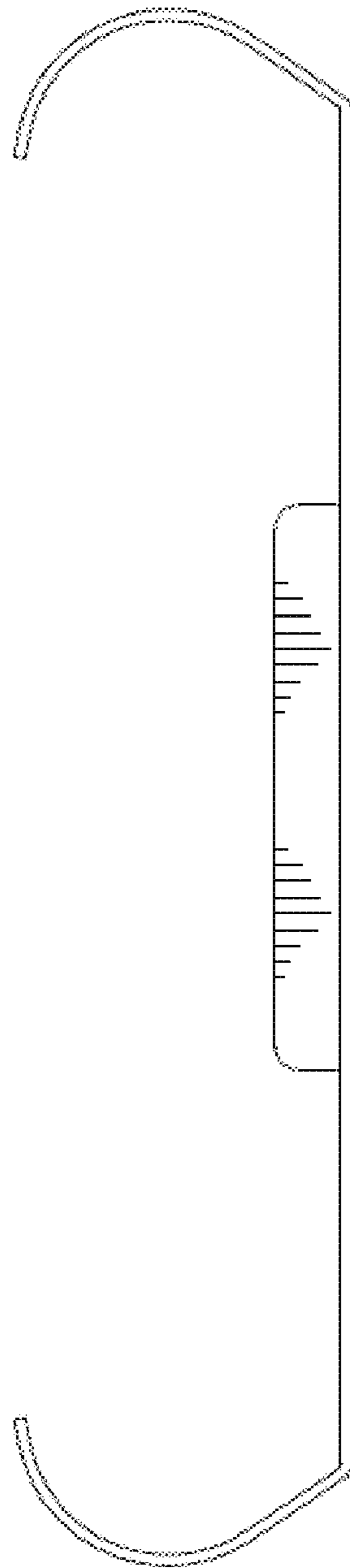


FIG. 4

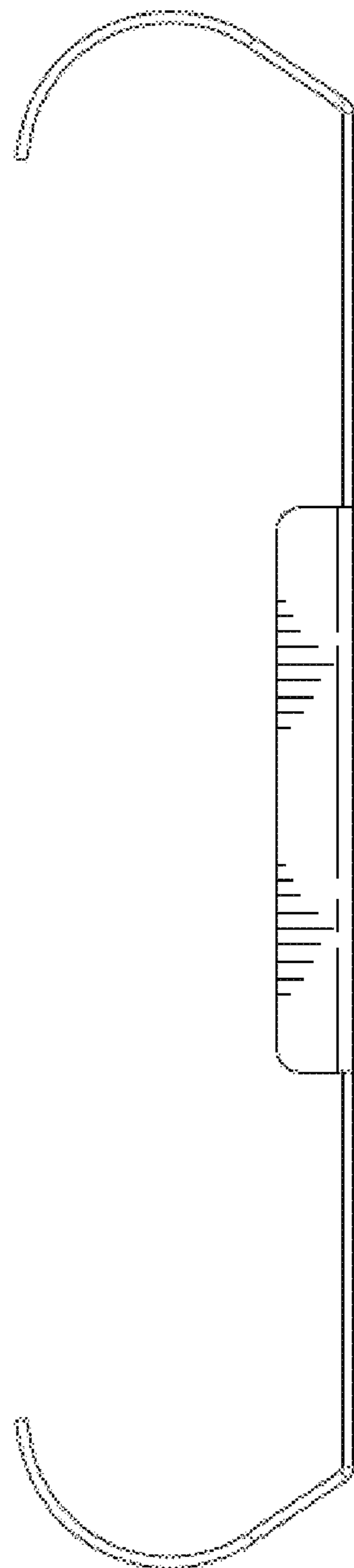


FIG. 5

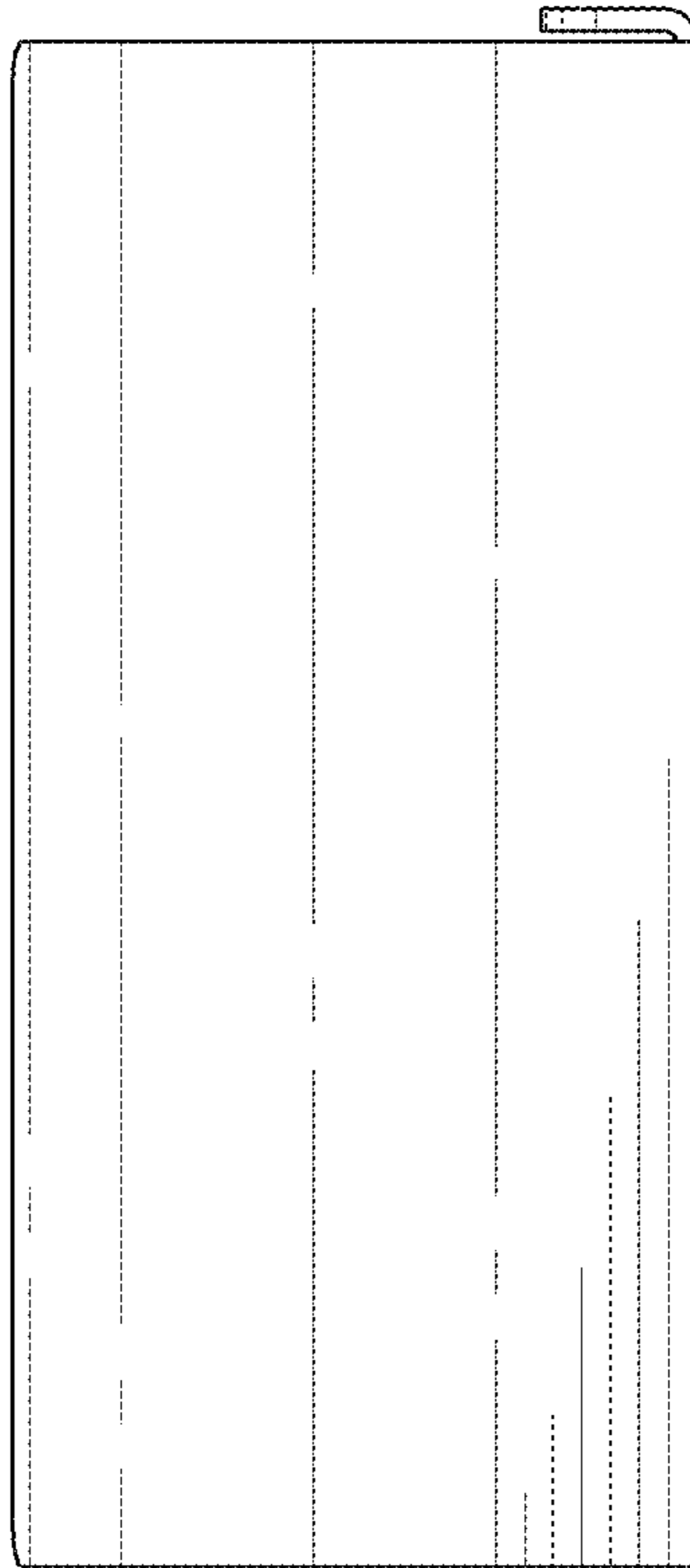


FIG. 6

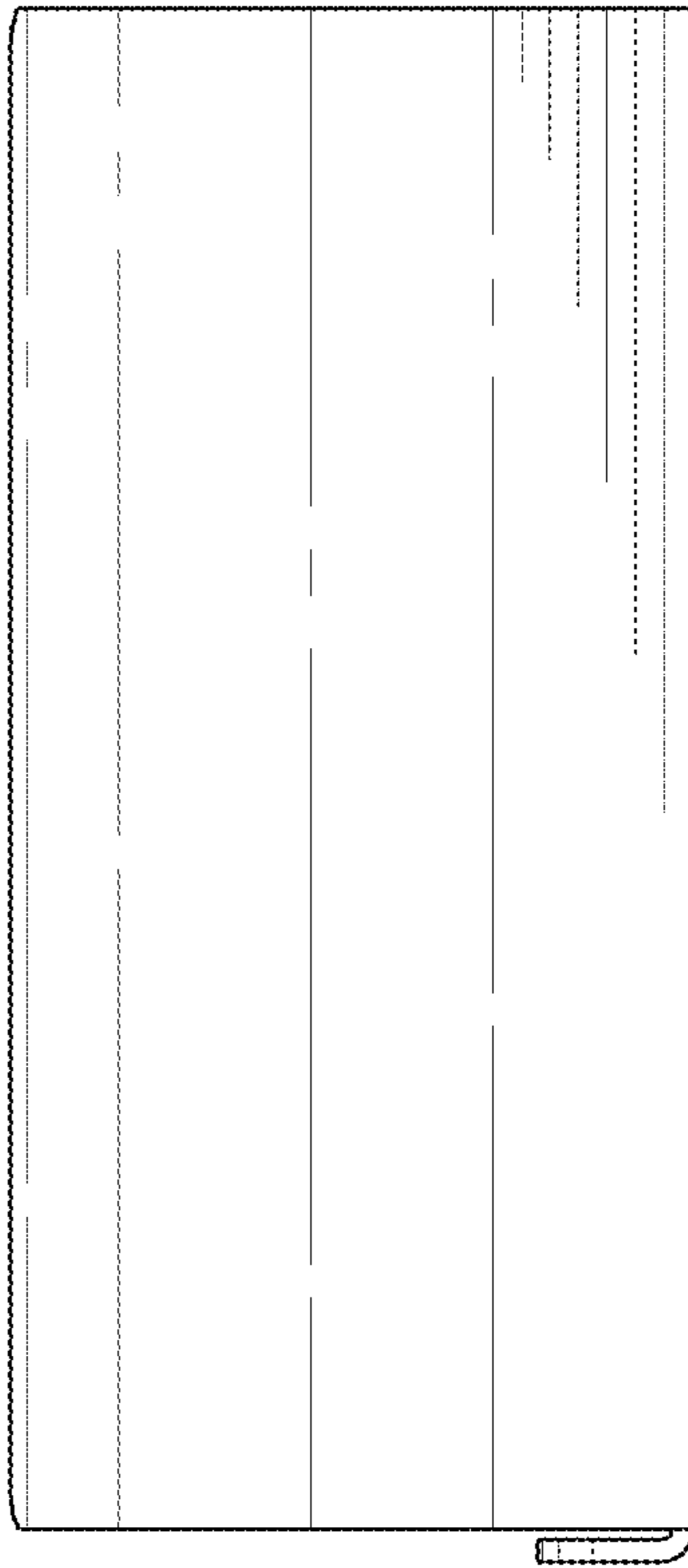


FIG. 7