



US00D906094S

(12) **United States Design Patent** (10) **Patent No.:** **US D906,094 S**
Horne et al. (45) **Date of Patent:** **** Dec. 29, 2020**

(54) **ADAPTOR**

(71) Applicant: **PERI Formwork Systems, Inc.**,
Elkridge, MD (US)
(72) Inventors: **Gary Horne**, Irvine, CA (US); **Michael Sweet**, Irvine, CA (US); **Daniel Dubisky**, Irvine, CA (US)
(73) Assignee: **PERI Formwork Systems, Inc.**,
Elkridge, MD (US)
(**) Term: **15 Years**

(21) Appl. No.: **29/676,914**

(22) Filed: **Jan. 15, 2019**

(51) **LOC (12) Cl.** **08-05**

(52) **U.S. Cl.**
USPC **D8/354**

(58) **Field of Classification Search**
USPC D8/354
CPC A47B 45/00; F16B 2/005
See application file for complete search history.

(56) **References Cited**

U.S. PATENT DOCUMENTS

4,074,499	A	2/1978	Mess	
4,084,780	A	4/1978	Mess	
D398,466	S *	9/1998	Odom	D6/521
6,089,779	A	7/2000	Lancelot, III	
D587,097	S *	2/2009	Smith	D8/354
7,487,949	B2	2/2009	Bennett	
8,042,786	B2	10/2011	Spindler	
D729,613	S *	5/2015	Biddle	D8/354
9,347,231	B2	5/2016	Cormier	
2006/0059841	A1	3/2006	Bennett	
2008/0307727	A1	12/2008	Magee	
2016/0001759	A1	1/2016	Clark	
2016/0017593	A1	1/2016	Magee	

OTHER PUBLICATIONS

Adaptor, posted at shahzadscaffolding.com, posting date not given, [online], [site visited Jun. 26, 2020]. Available from Internet, URL: <http://www.shahzadscaffolding.com/products/> (Year: 2020).*
Base Plate Socket, posted at indiamart.com, posting date not given, [online], [site visited Jun. 26, 2020]. Available from Internet, URL: <https://www.indiamart.com/proddetail/base-plate-socket-2976285588.html> (Year: 2020).*

(Continued)

Primary Examiner — George D. Kirschbaum
Assistant Examiner — Maria J Edwards
(74) *Attorney, Agent, or Firm* — Loginov & Associates, PLLC; William A. Loginov

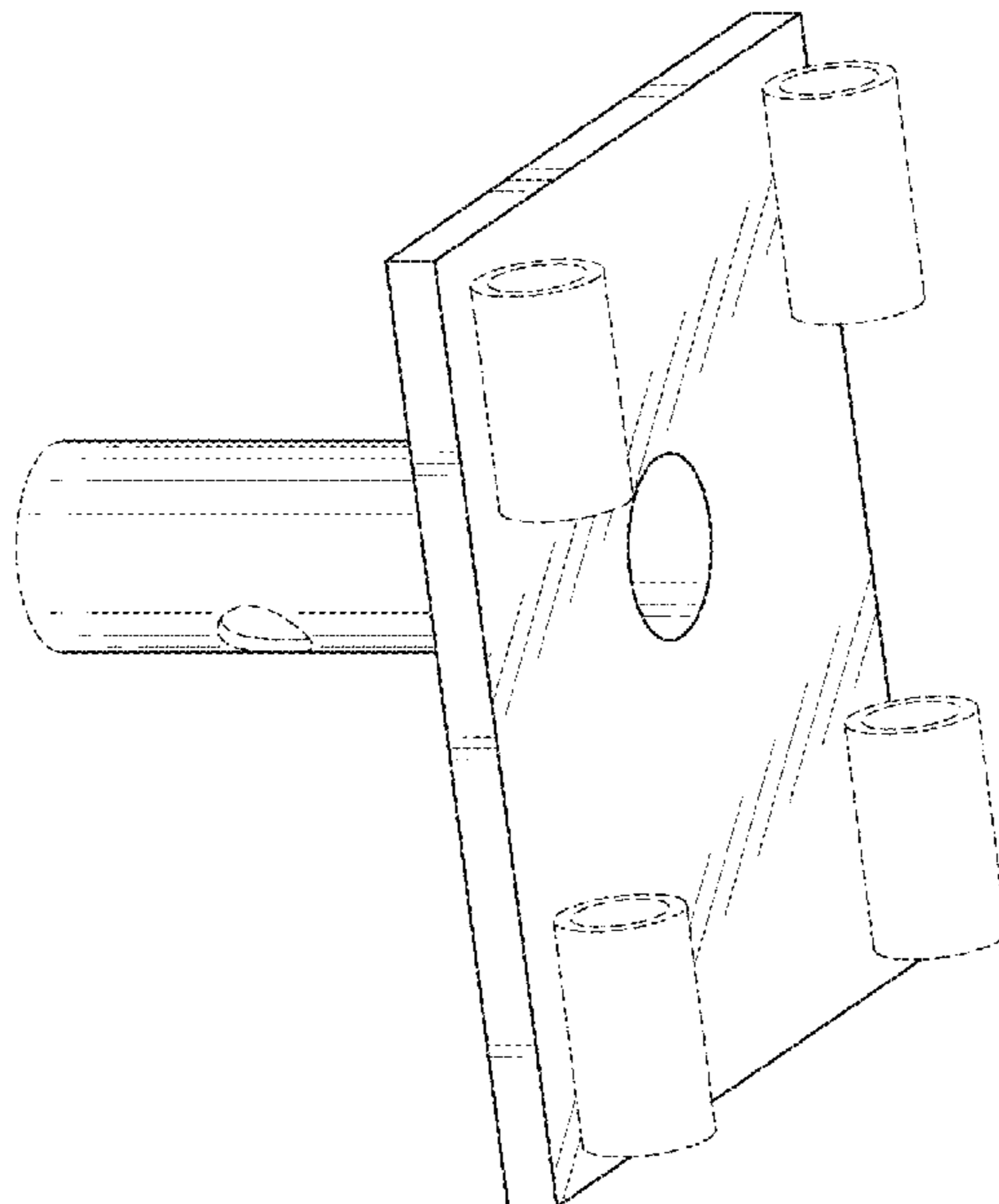
(57) **CLAIM**

The ornamental design for an adaptor, as shown and described.

DESCRIPTION

FIG. 1 is a perspective view of an adaptor, according to an embodiment;
FIG. 2 is a left side of the adaptor, according to an embodiment;
FIG. 3 is a right side of the adaptor, according to an embodiment;
FIG. 4 is a bottom side view of the adaptor, according to an embodiment;
FIG. 5 is a top side view of the adaptor, according to an embodiment;
FIG. 6 is a front view of the adaptor, according to an embodiment; and,
FIG. 7 is a rear view of the adaptor, according to an embodiment.
The broken lines in all views illustrate environment and form no part of the claimed design.

1 Claim, 7 Drawing Sheets



(56)

References Cited

OTHER PUBLICATIONS

Drop Head Adapter, posted at indiamart.com, posting date not given, [online], [site visited Jun. 26, 2020]. Available from Internet, URL: <https://www.indiamart.com/proddetail/drop-head-adapter-4929083273.html> (Year: 2020).*

* cited by examiner

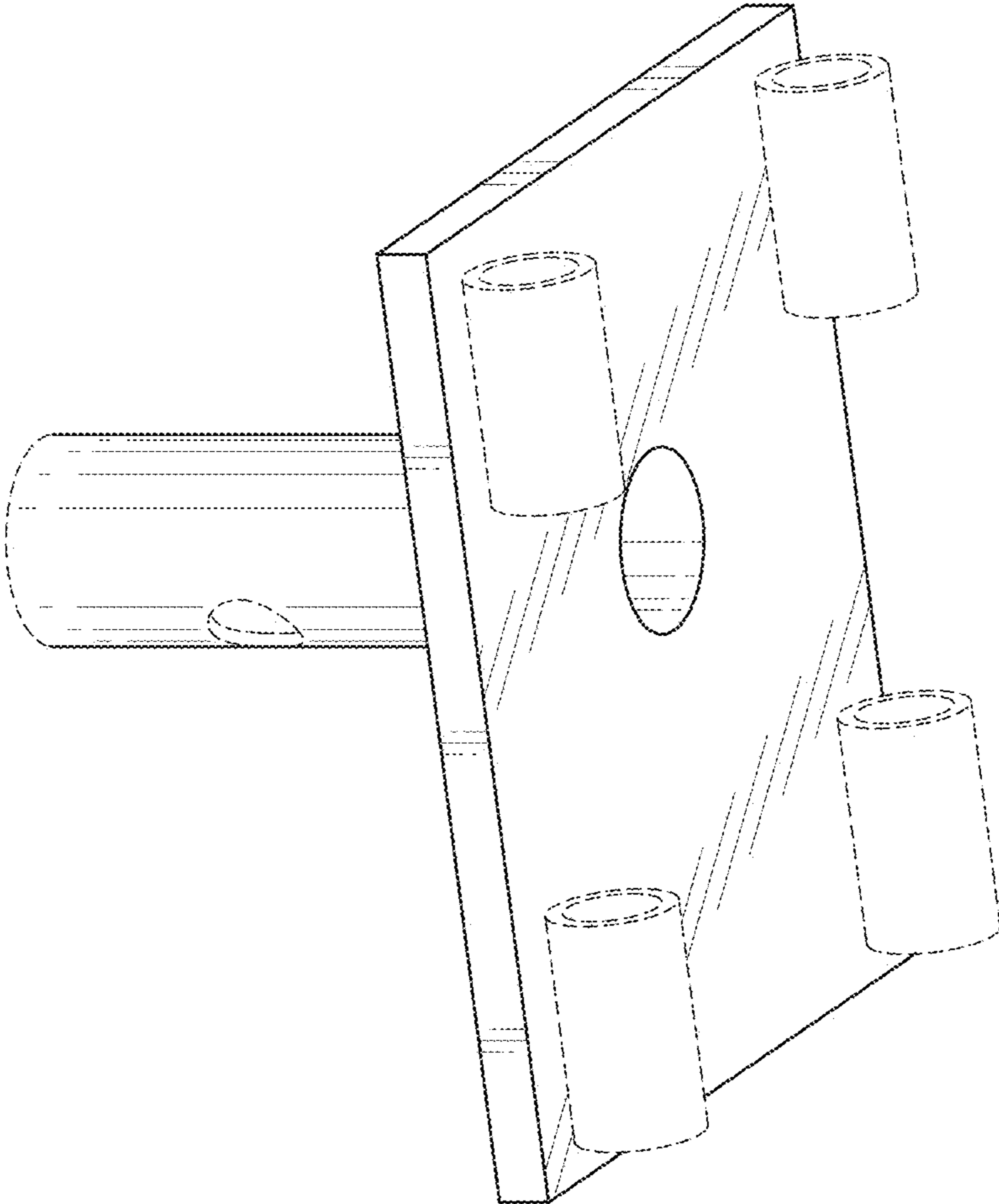


FIG. 1

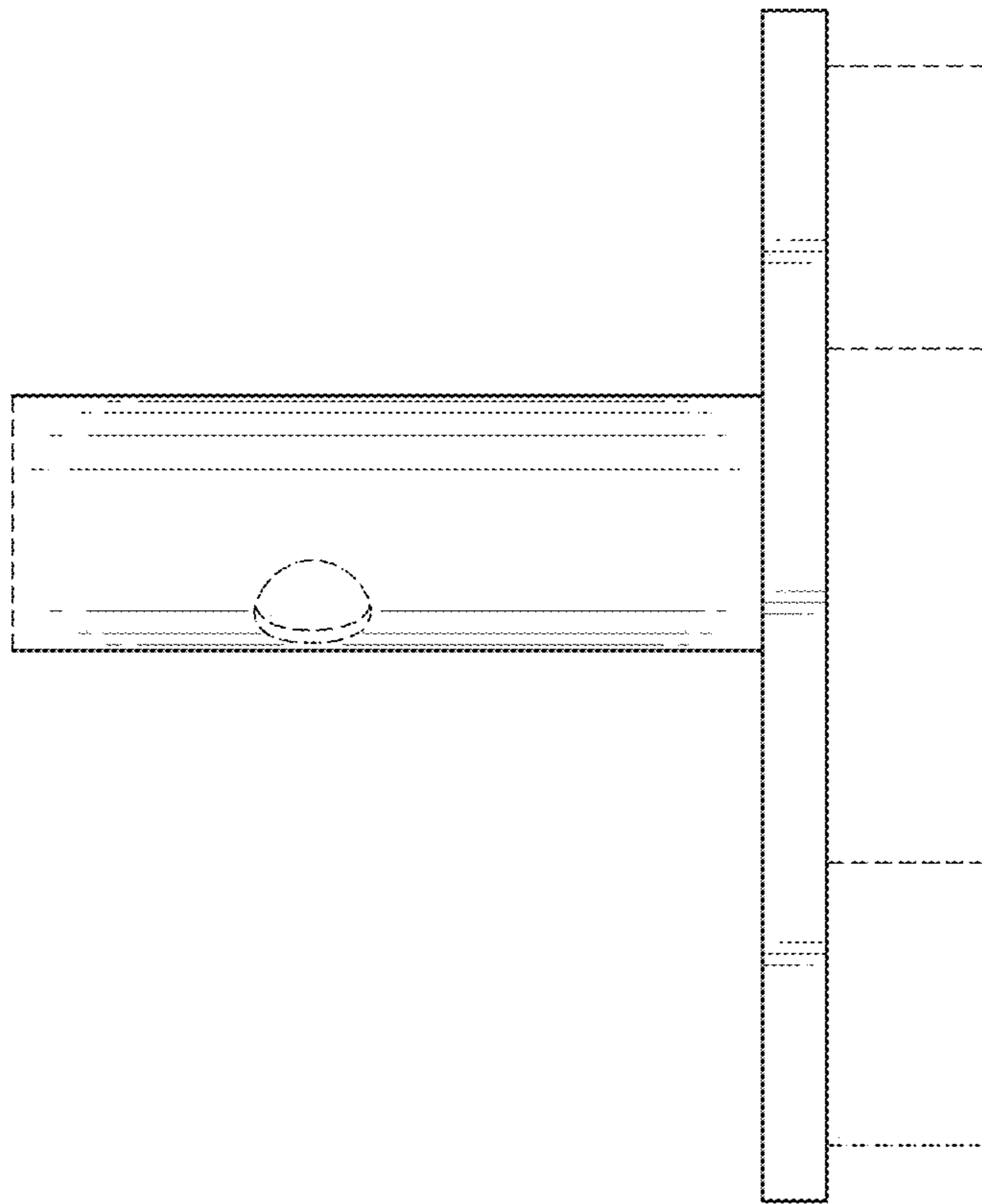


FIG. 2

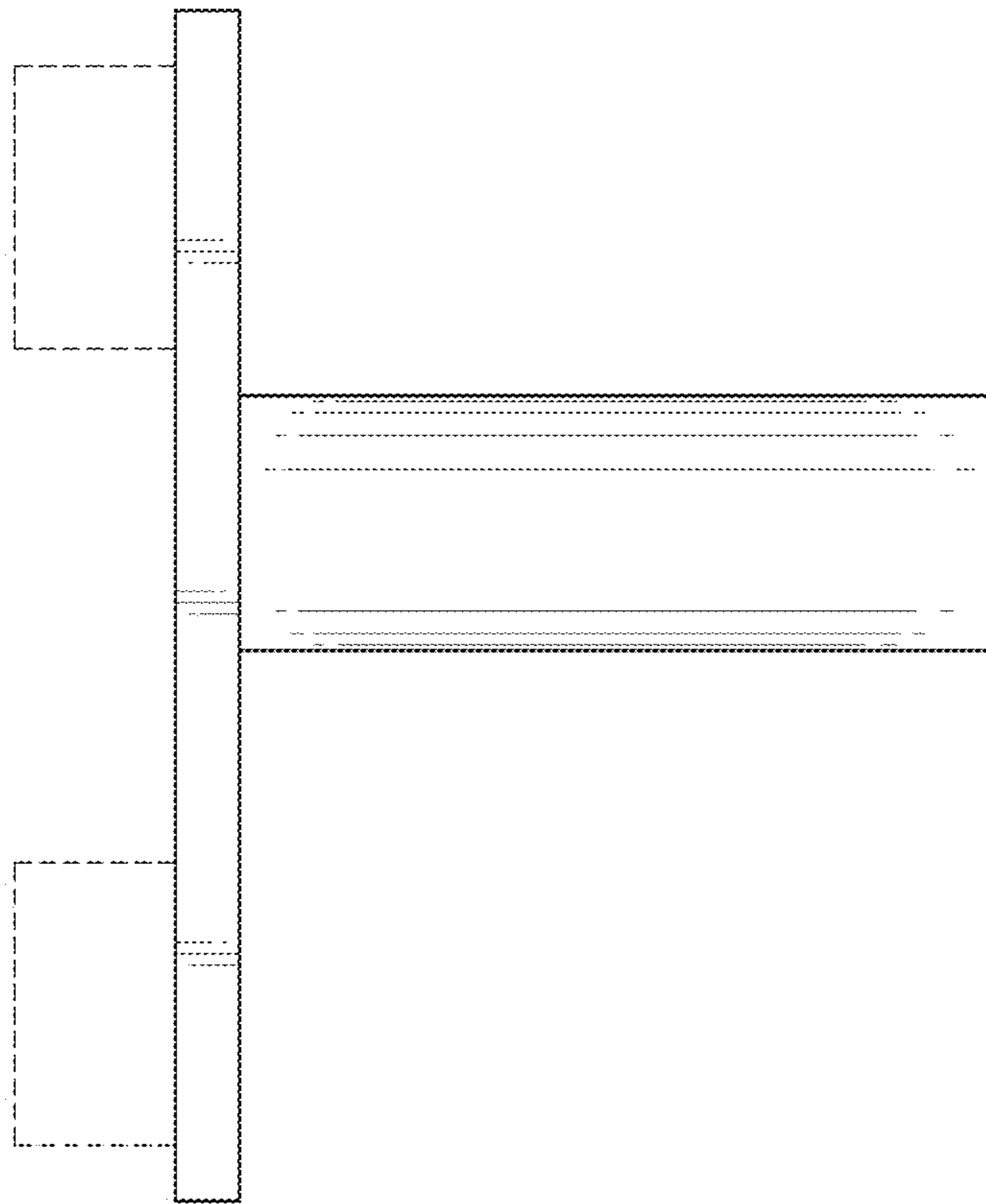


FIG. 3

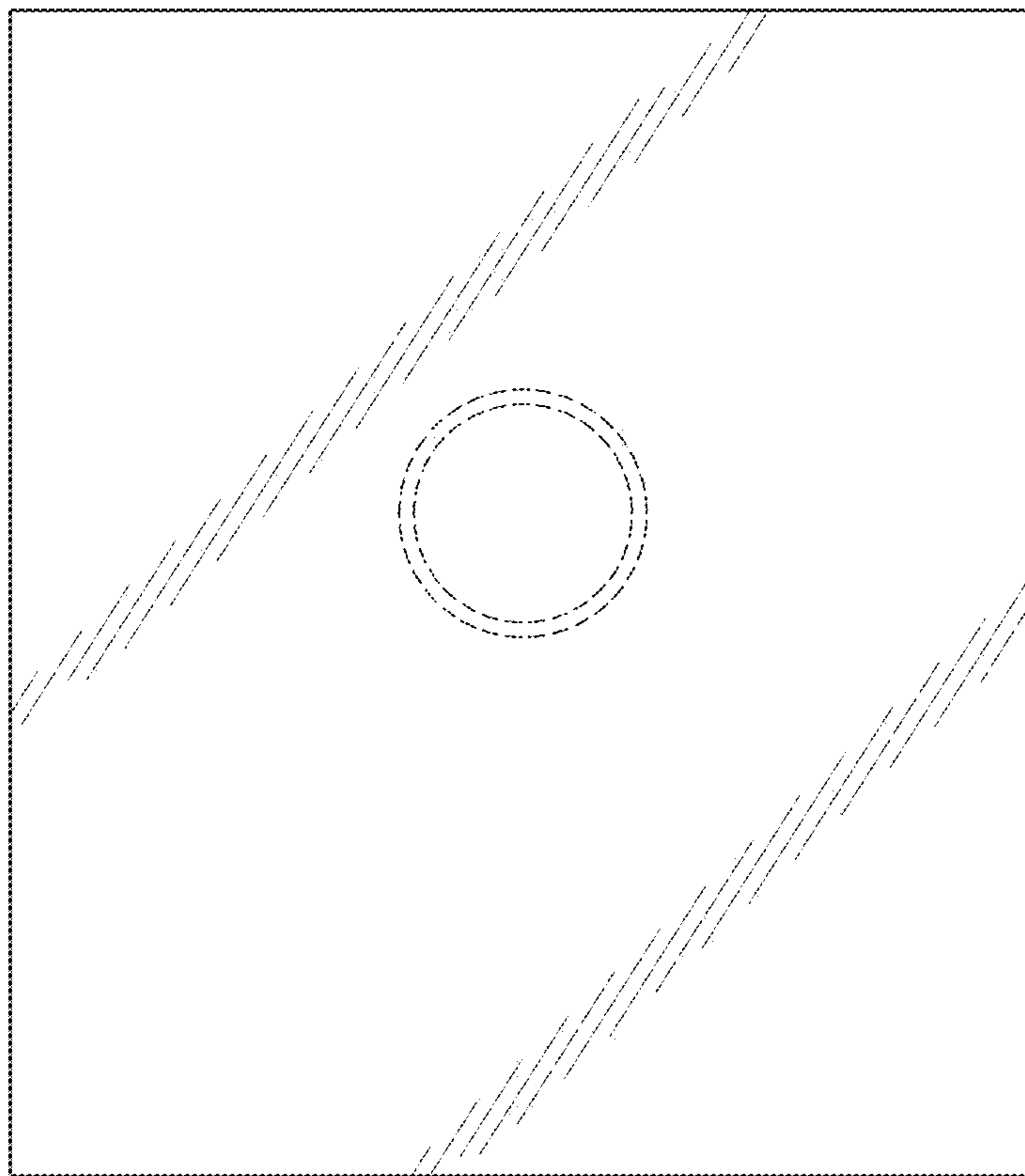


FIG. 4

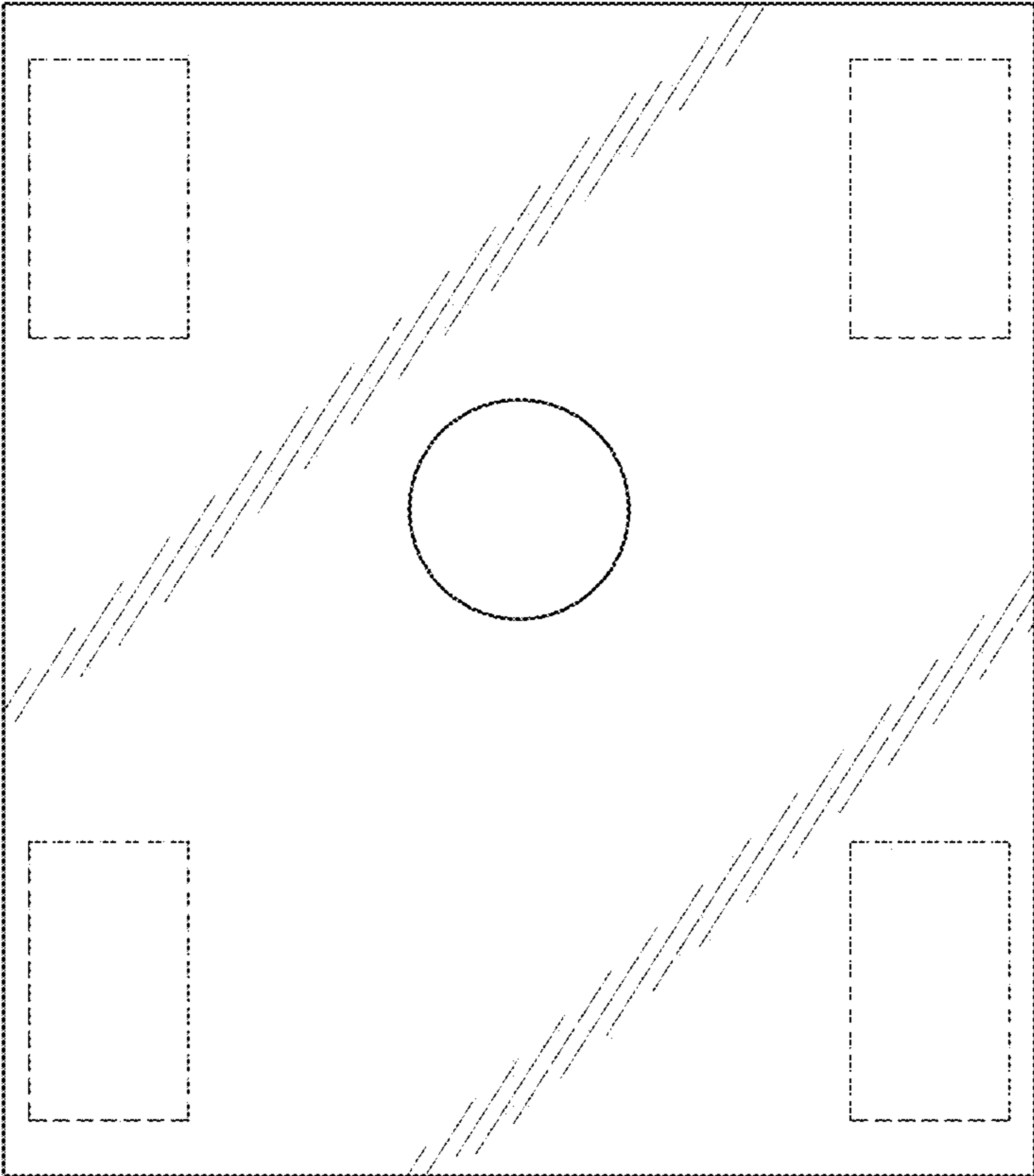


FIG. 5

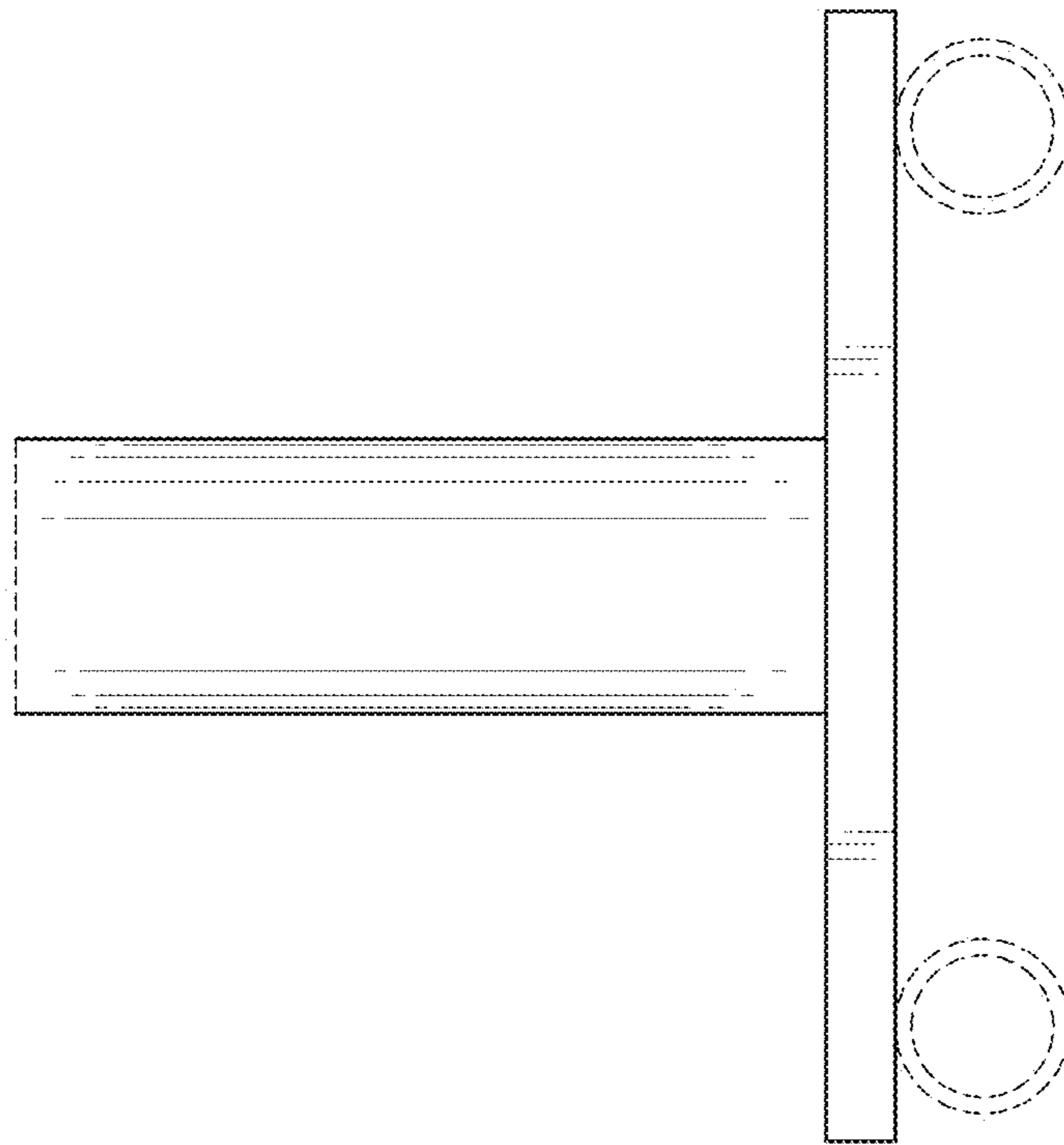


FIG. 6

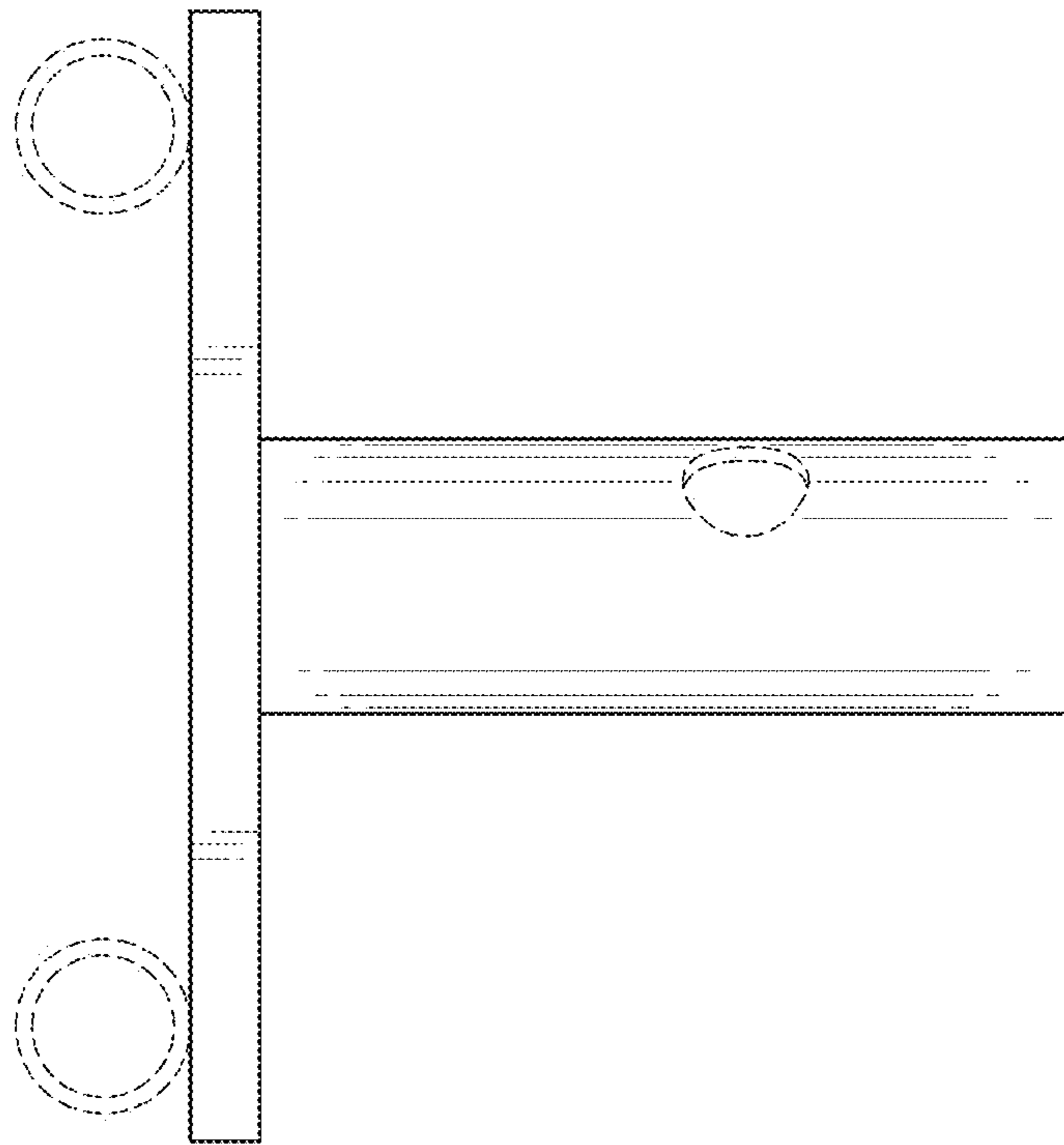


FIG. 7