



US00D906092S

(12) **United States Design Patent** (10) **Patent No.:** **US D906,092 S**
Schwarzmann et al. (45) **Date of Patent:** **** Dec. 29, 2020**

- (54) **FASTENING DEVICE**
- (71) Applicant: **Julius Blum GmbH**, Hoechst (AT)
- (72) Inventors: **Guenter Schwarzmann**, Dornbirn (AT); **Markus Irgang**, Altach (AT); **Gerald Sperger**, Hard (AT)
- (73) Assignee: **Julius Blum GmbH**, Hoechst (AT)
- (**) Term: **15 Years**
- (21) Appl. No.: **29/738,423**
- (22) Filed: **Jun. 17, 2020**

Related U.S. Application Data

- (62) Division of application No. 29/653,838, filed on Jun. 19, 2018.

Foreign Application Priority Data

Dec. 22, 2017 (EM) 1466296-0006

- (51) **LOC (12) Cl.** **08-08**
- (52) **U.S. Cl.**
USPC **D8/349**
- (58) **Field of Classification Search**
USPC D8/349, 350-353, 354, 355, 363, D8/373-377
CPC .. A47F 5/00; A47H 1/10; A47G 29/00; A47G 29/08; A47K 3/14; A47B 97/00
See application file for complete search history.

References Cited

U.S. PATENT DOCUMENTS

- D24,909 S * 11/1895 Corscaden D8/381
- 2,799,903 A 7/1957 Alexander
- D300,234 S 3/1989 Eyman
- D315,494 S * 3/1991 Latham D34/6
- D376,098 S 12/1996 Bucher

- D391,243 S 2/1998 Rosen
- D434,967 S 12/2000 Habeck
- D435,432 S * 12/2000 Themistos D8/354
- D457,418 S * 5/2002 Ferrer Beltrán D8/363
- D574,684 S 8/2008 Kim
- D611,801 S * 3/2010 Chustak D8/355
- D616,729 S 6/2010 Anderson
- D617,175 S 6/2010 Anderson
- D622,578 S 8/2010 Kollman
- D651,962 S 1/2012 Barkdoll
- D658,485 S 5/2012 Wall
- D678,043 S 3/2013 Lu
- D695,173 S 12/2013 Sperry
- D709,358 S * 7/2014 Fugett D8/380
- D739,208 S 9/2015 Shirley
- D782,289 S 3/2017 Darby
- D808,576 S 1/2018 Clarke
- D822,458 S 7/2018 Campbell
- D828,743 S 9/2018 Bright
- D841,437 S 2/2019 Ito
- D841,438 S 2/2019 Ito
- D845,113 S 4/2019 Salter

(Continued)

Primary Examiner — Mark A Goodwin
Assistant Examiner — Benjamin M Weeks
(74) *Attorney, Agent, or Firm* — Wenderoth, Lind & Ponack, L.L.P.

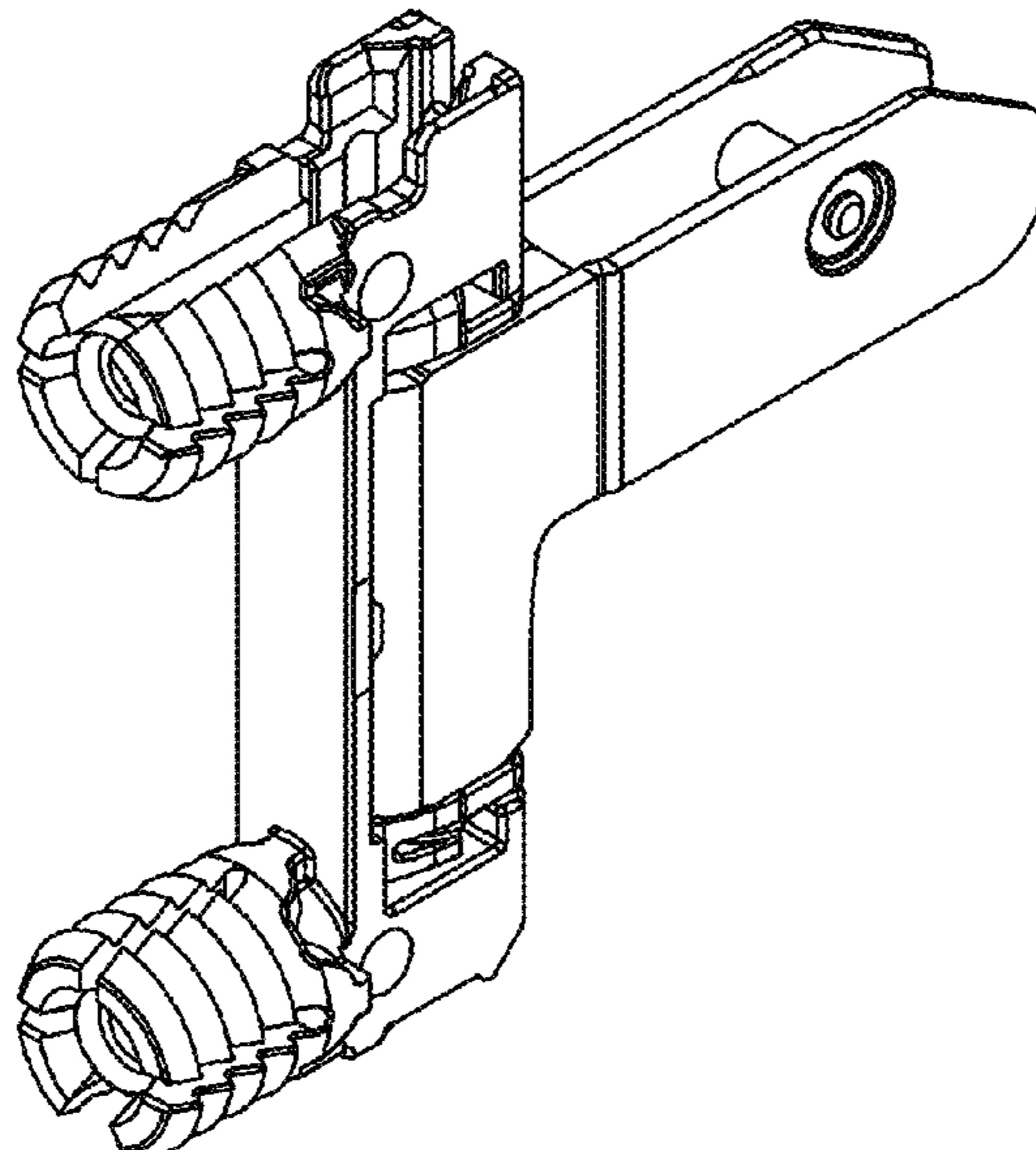
(57) **CLAIM**

The ornamental design for a fastening device, as shown and described.

DESCRIPTION

FIG. 1 is a front perspective view of a fastening device; FIG. 2 is a bottom view thereof; FIG. 3 is a right side view thereof; FIG. 4 is a front view thereof; FIG. 5 is a left side view thereof; FIG. 6 is a rear view thereof; and, FIG. 7 is a top view thereof.

1 Claim, 7 Drawing Sheets



(56)

References Cited

U.S. PATENT DOCUMENTS

D850,245 S 6/2019 Bright
D859,966 S 9/2019 Rassat
D872,562 S * 1/2020 He D8/354

* cited by examiner

FIG. 1

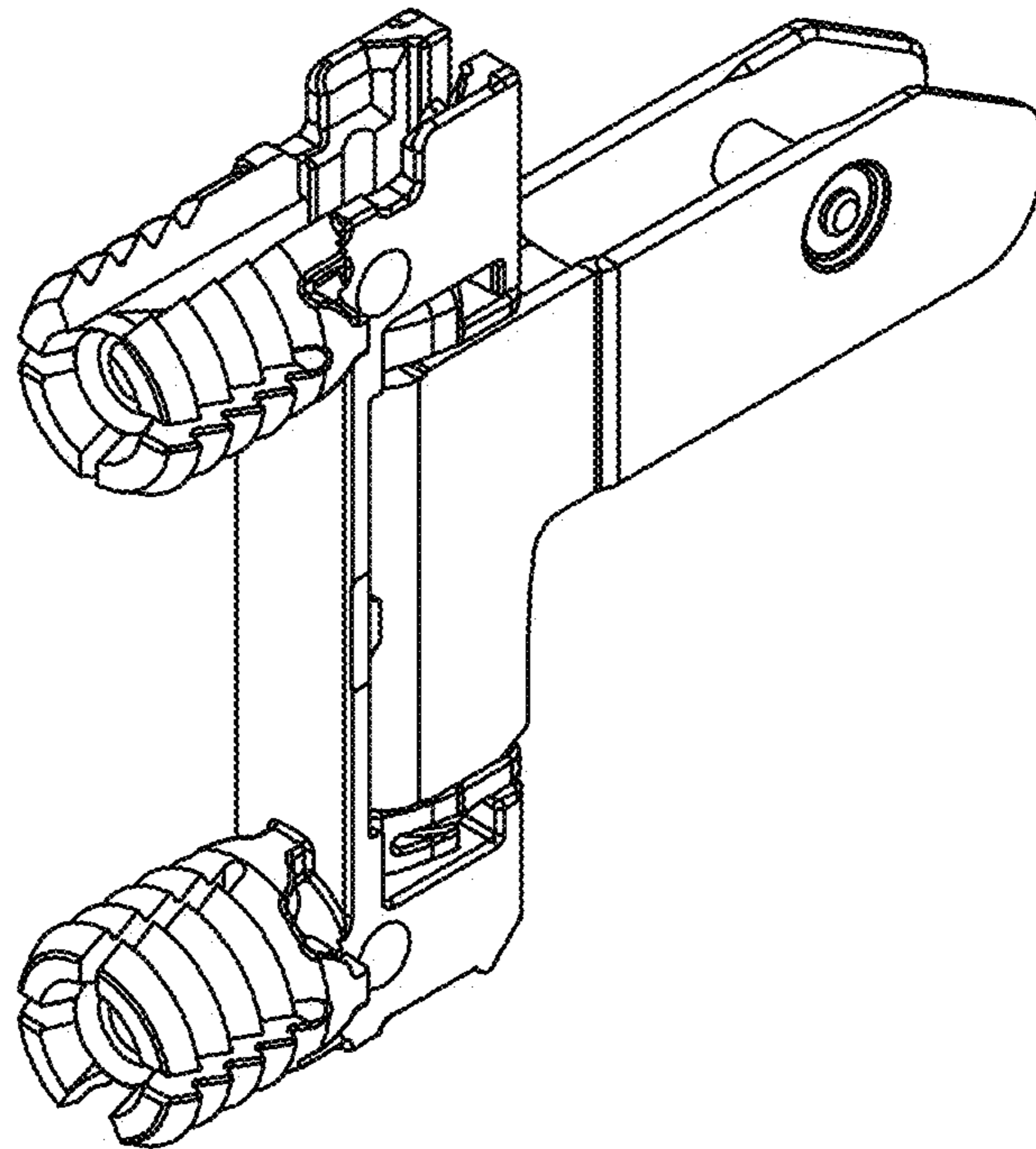


FIG. 2

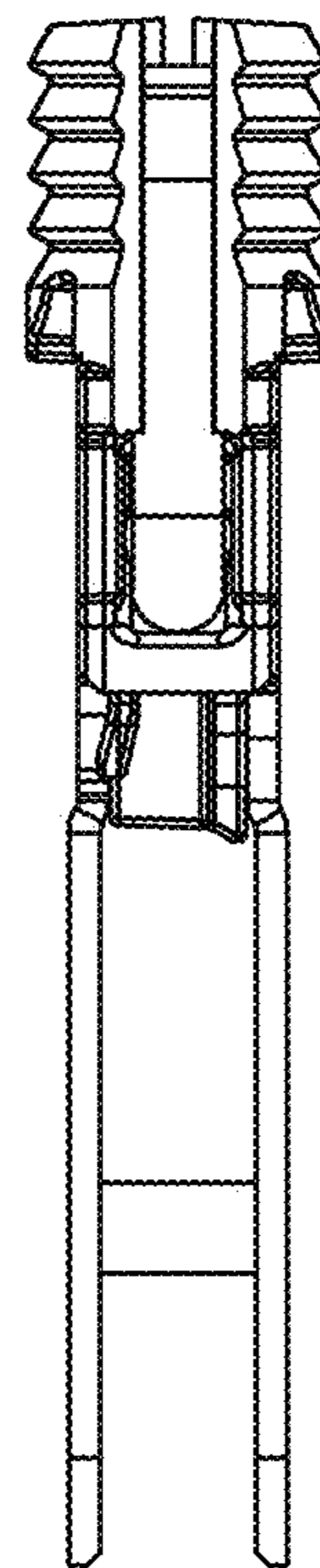


FIG. 3

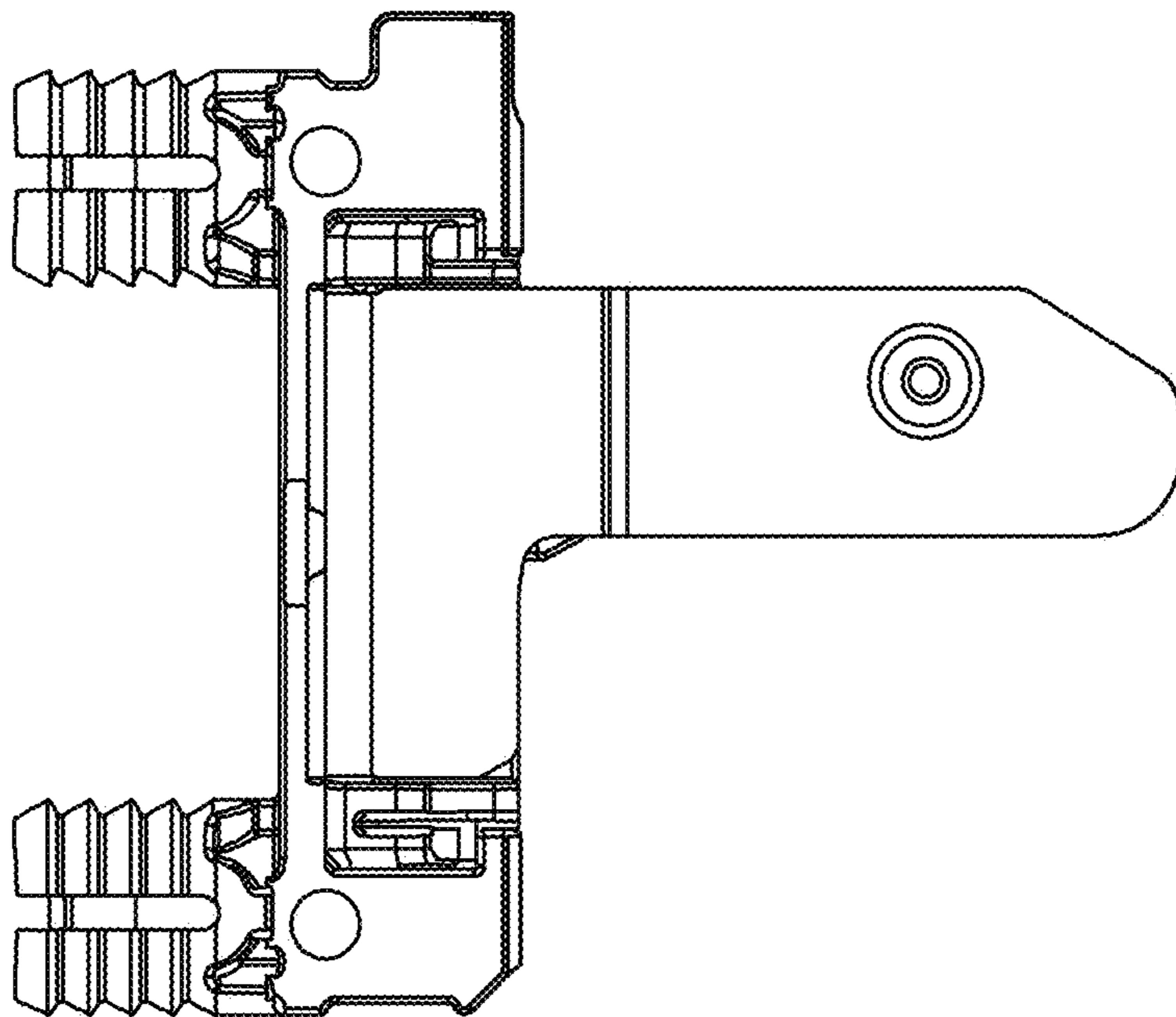


FIG. 4

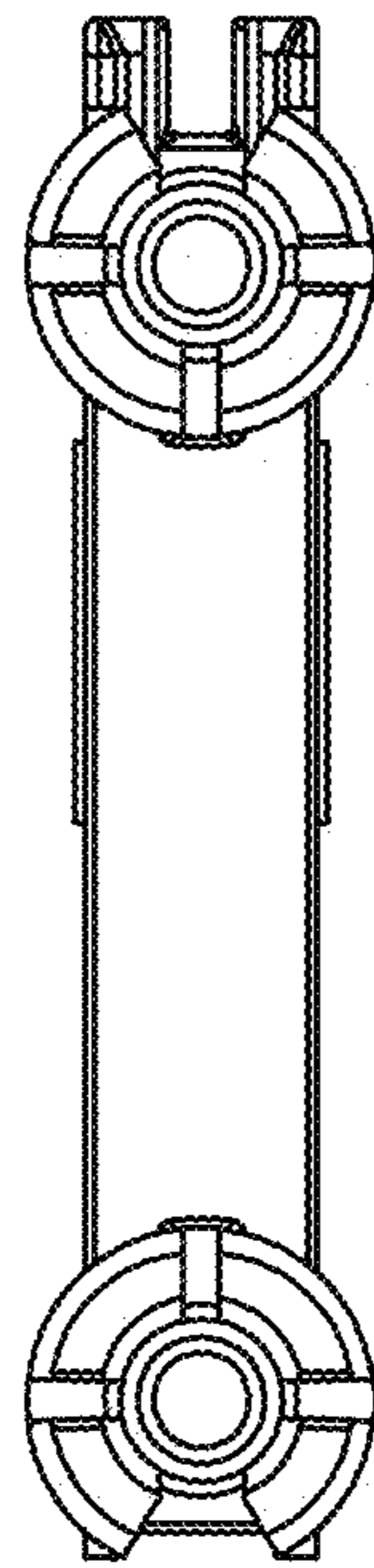


FIG. 5

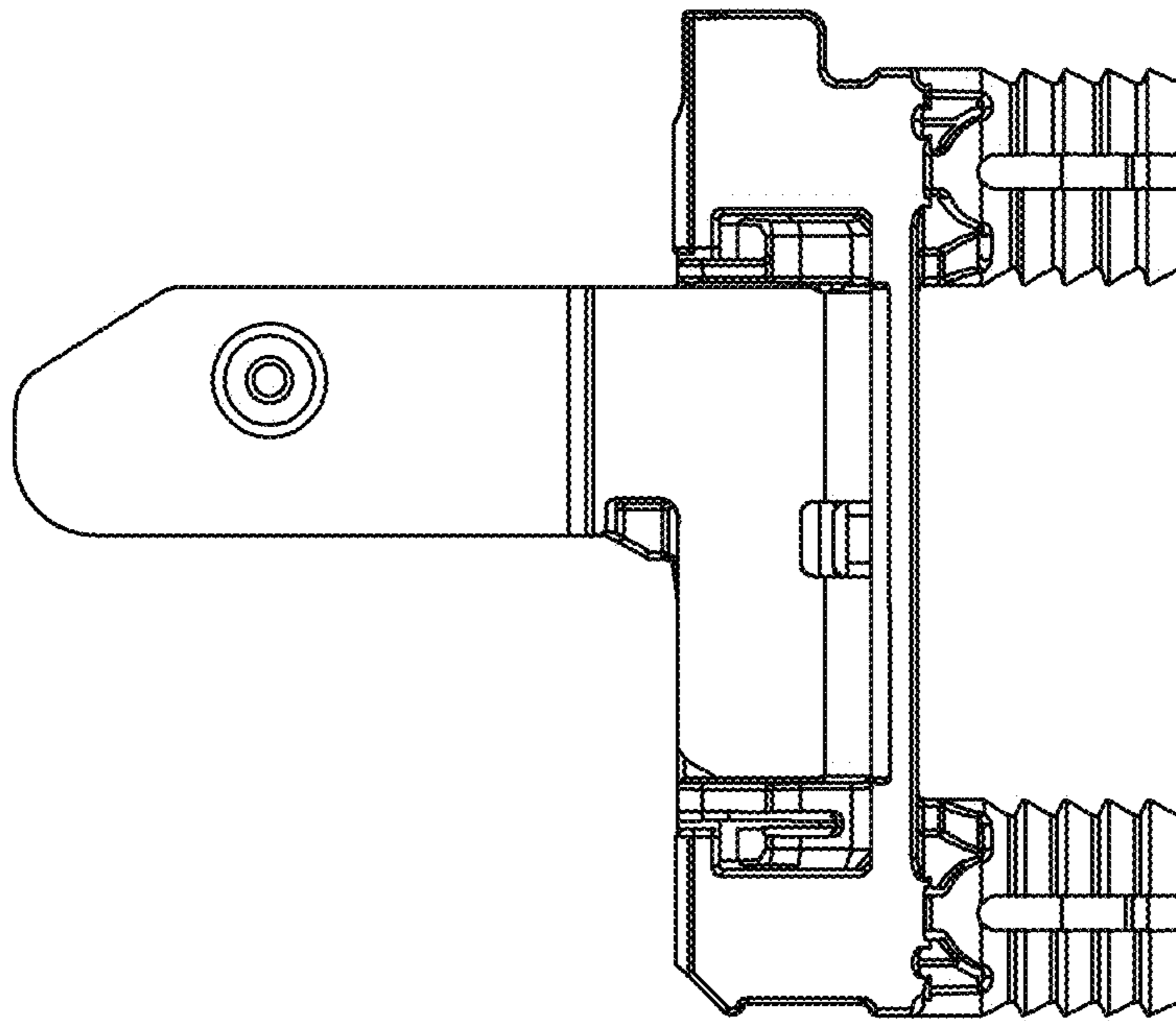


FIG. 6

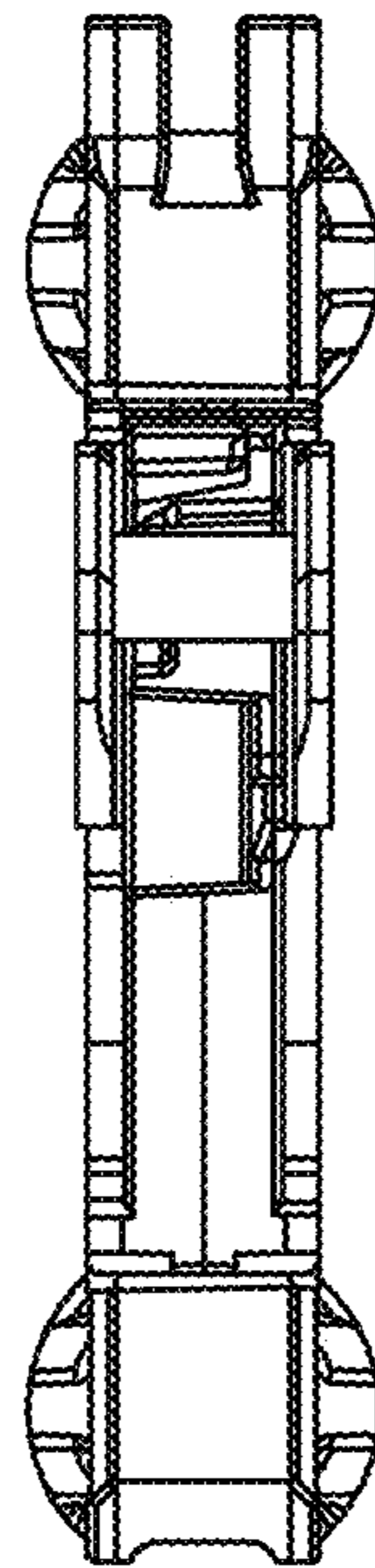


FIG. 7

