



US00D906089S

(12) **United States Design Patent**  
**Heikinmatti**

(10) **Patent No.:** **US D906,089 S**

(45) **Date of Patent:** **\*\* Dec. 29, 2020**

(54) **PADLOCK**

(71) Applicant: **ABLOY OY**, Joensuu (FI)

(72) Inventor: **Mika Heikinmatti**, Tampere (FI)

(73) Assignee: **Abloy OY**, Joensuu (FI)

(\*\*) Term: **15 Years**

(21) Appl. No.: **29/704,611**

(22) Filed: **Sep. 5, 2019**

(30) **Foreign Application Priority Data**

Mar. 5, 2019 (EM) ..... 006279634

(51) **LOC (12) Cl.** ..... **08-07**

(52) **U.S. Cl.**  
USPC ..... **D8/343**

(58) **Field of Classification Search**  
USPC ..... D8/334, 343  
CPC ..... E05B 67/063; E05B 67/22; E05B 67/06;  
E05B 67/00; E05B 67/02; E05B 67/04;  
E05B 47/00

See application file for complete search history.

(56) **References Cited**

**U.S. PATENT DOCUMENTS**

D543,832 S \* 6/2007 Tsui ..... D8/334  
7,481,085 B2 \* 1/2009 Rohde ..... E05B 67/24  
70/52

D587,983 S \* 3/2009 Zorc ..... D8/334  
D637,888 S \* 5/2011 Zheng ..... D8/334  
D690,580 S \* 10/2013 Wang ..... D8/343  
9,297,185 B2 \* 3/2016 Lasaroff ..... E05B 67/02  
9,464,462 B1 \* 10/2016 Liu ..... E05B 67/24  
10,119,303 B2 \* 11/2018 Garthe ..... E05B 39/04

\* cited by examiner

*Primary Examiner* — Doris Clark

(74) *Attorney, Agent, or Firm* — Muncy, Geissler, Olds & Lowe, P.C.

(57) **CLAIM**

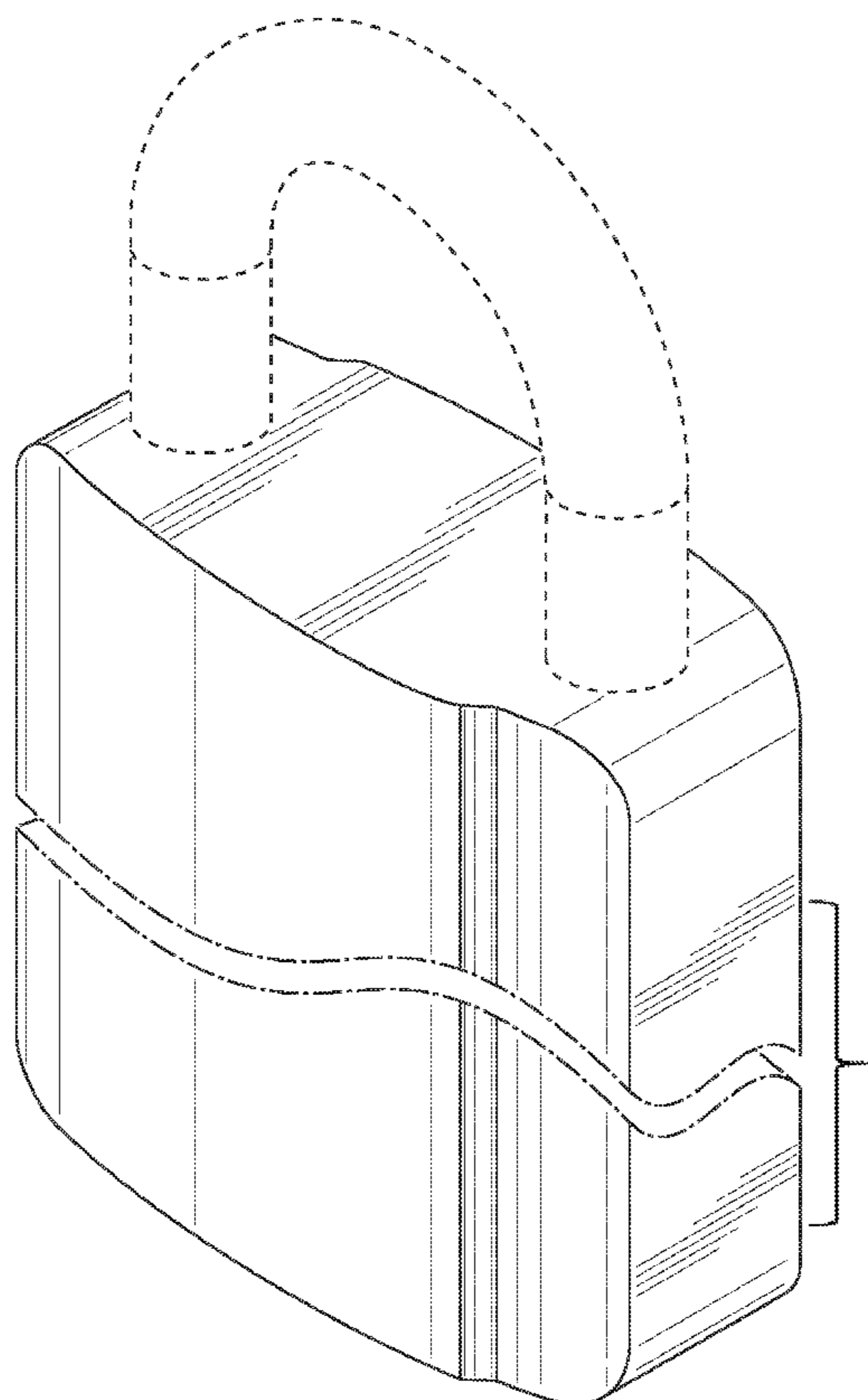
The ornamental design for a padlock, as shown and described.

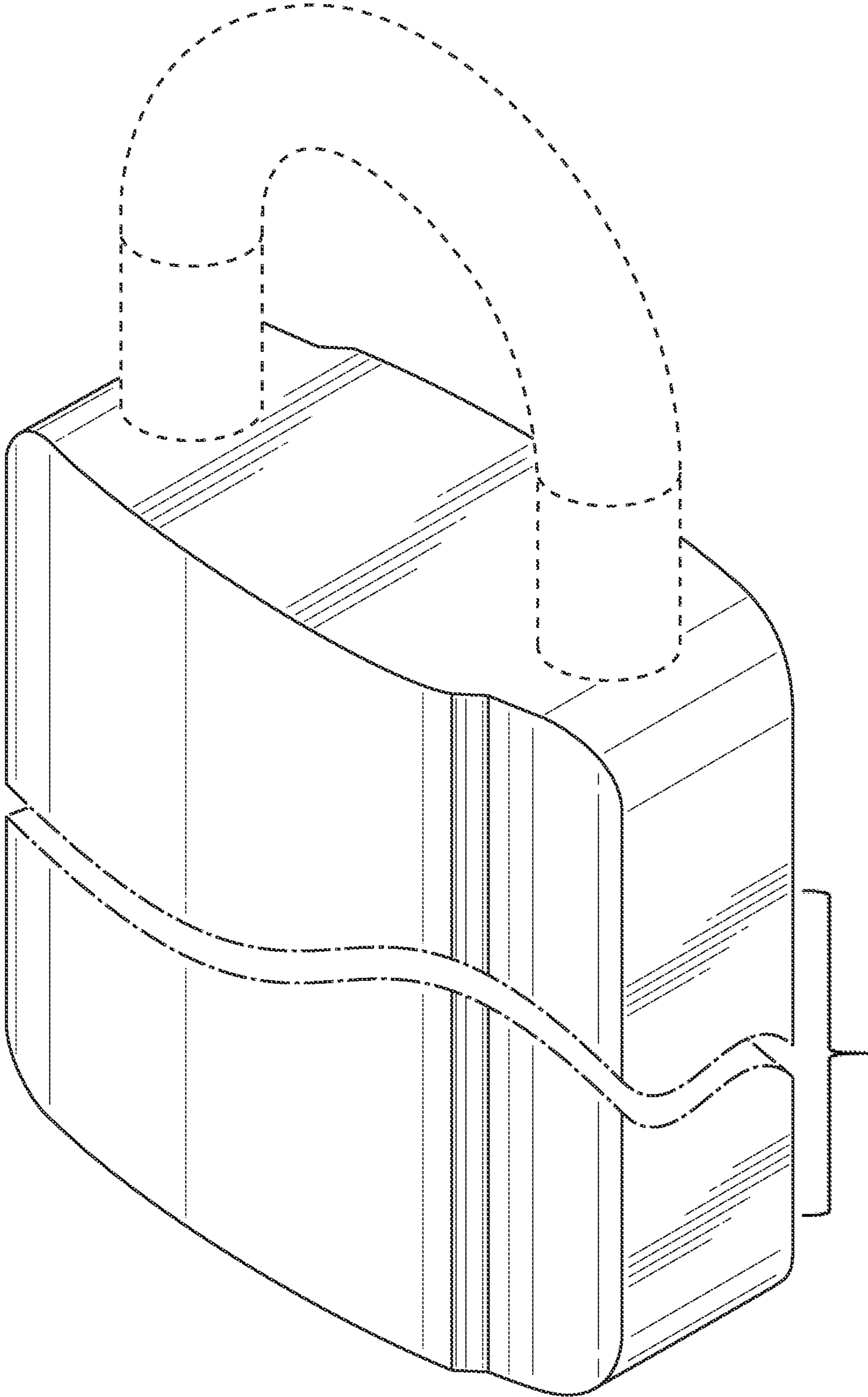
**DESCRIPTION**

FIG. 1 is a top and front perspective view of a padlock showing my new design;  
FIG. 2 is a bottom and front perspective view thereof;  
FIG. 3 is a front elevational view thereof;  
FIG. 4 is a rear elevational view thereof;  
FIG. 5 is a right side elevational view thereof;  
FIG. 6 is a left side elevational view thereof;  
FIG. 7 is a top plan view thereof; and,  
FIG. 8 is a bottom plan view thereof.

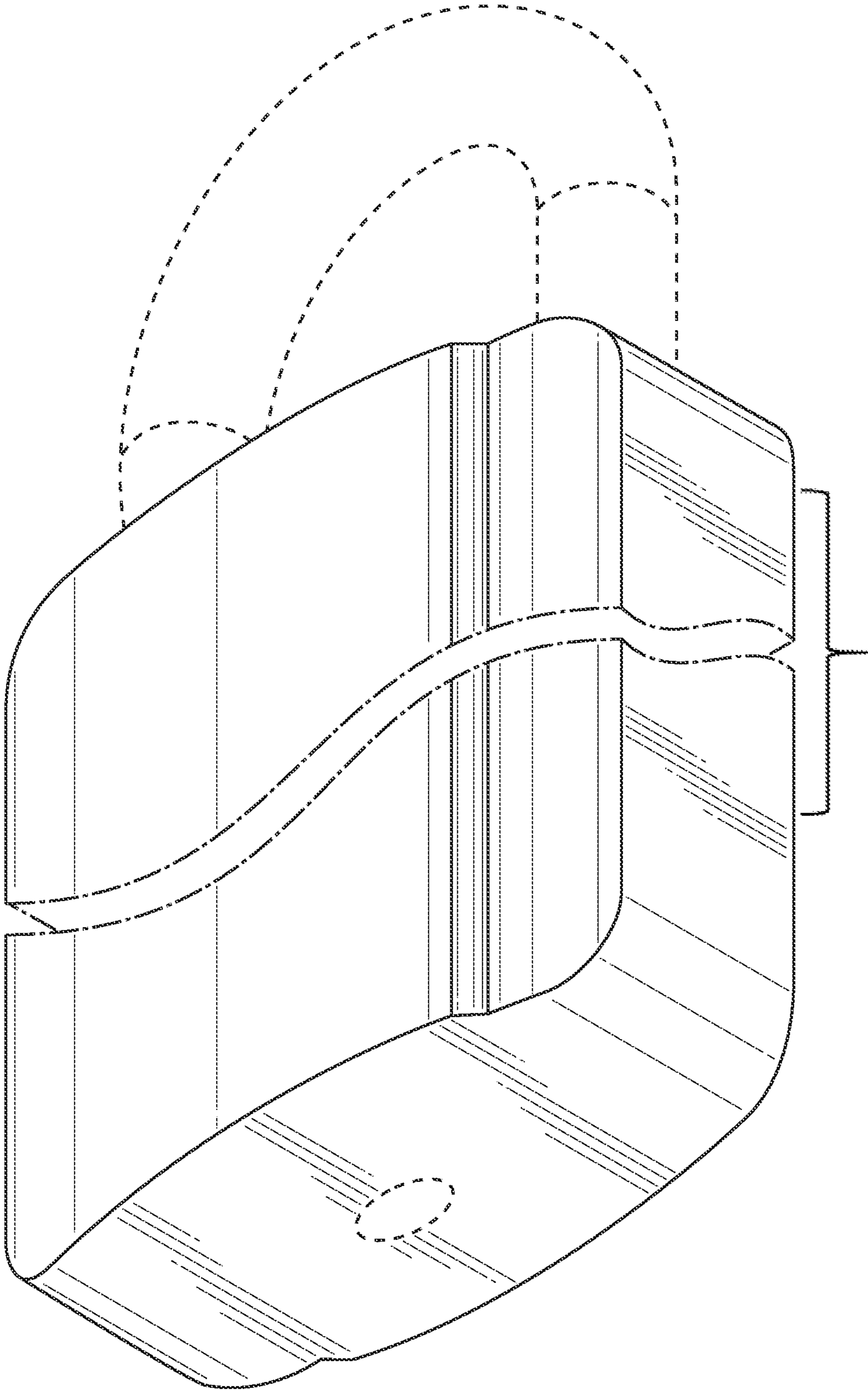
The broken lines illustrate portions of the padlock that form no part of the claimed design. The appearance of any portion of the article between the break lines forms no part of the claimed design.

**1 Claim, 8 Drawing Sheets**

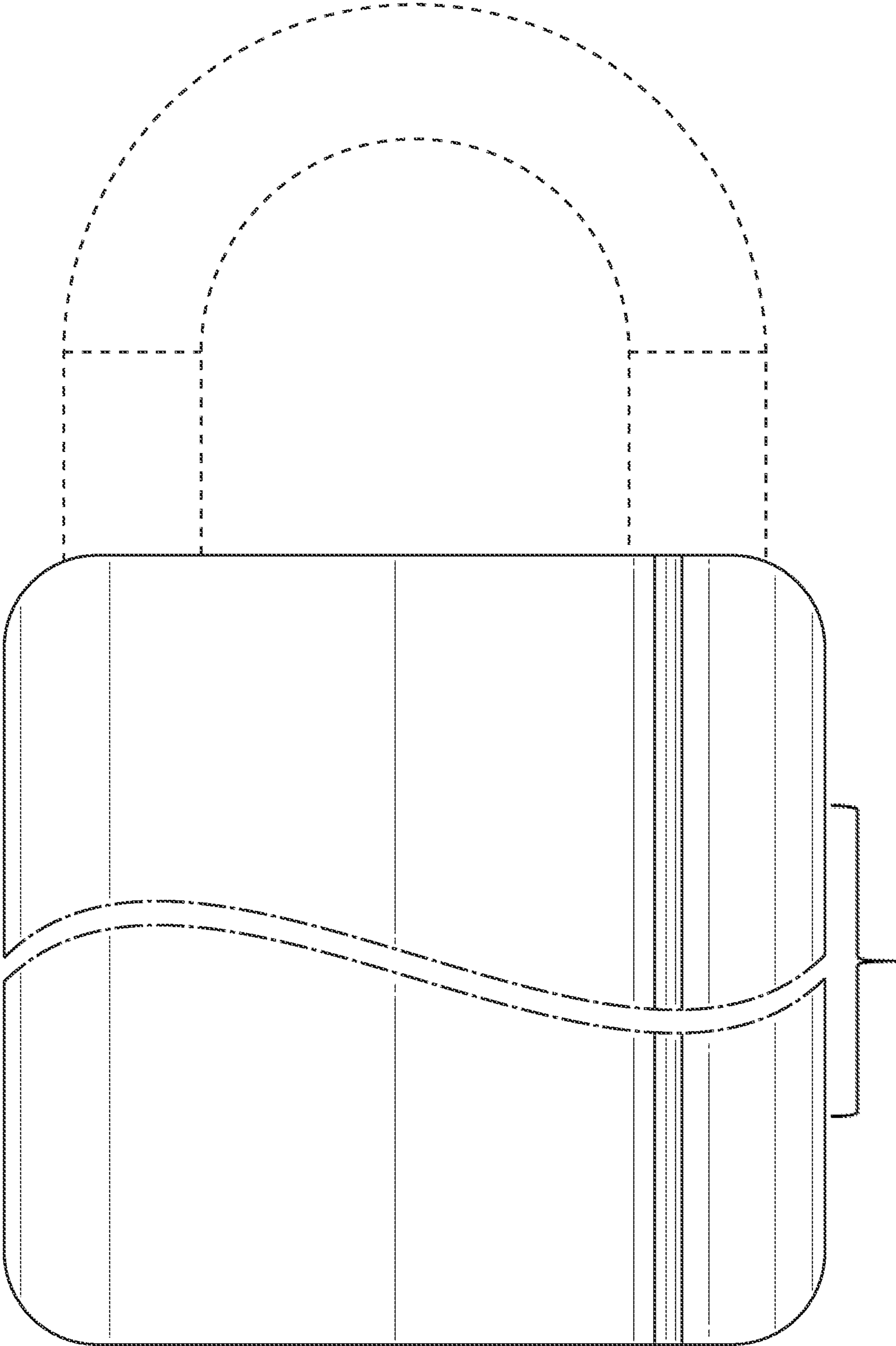




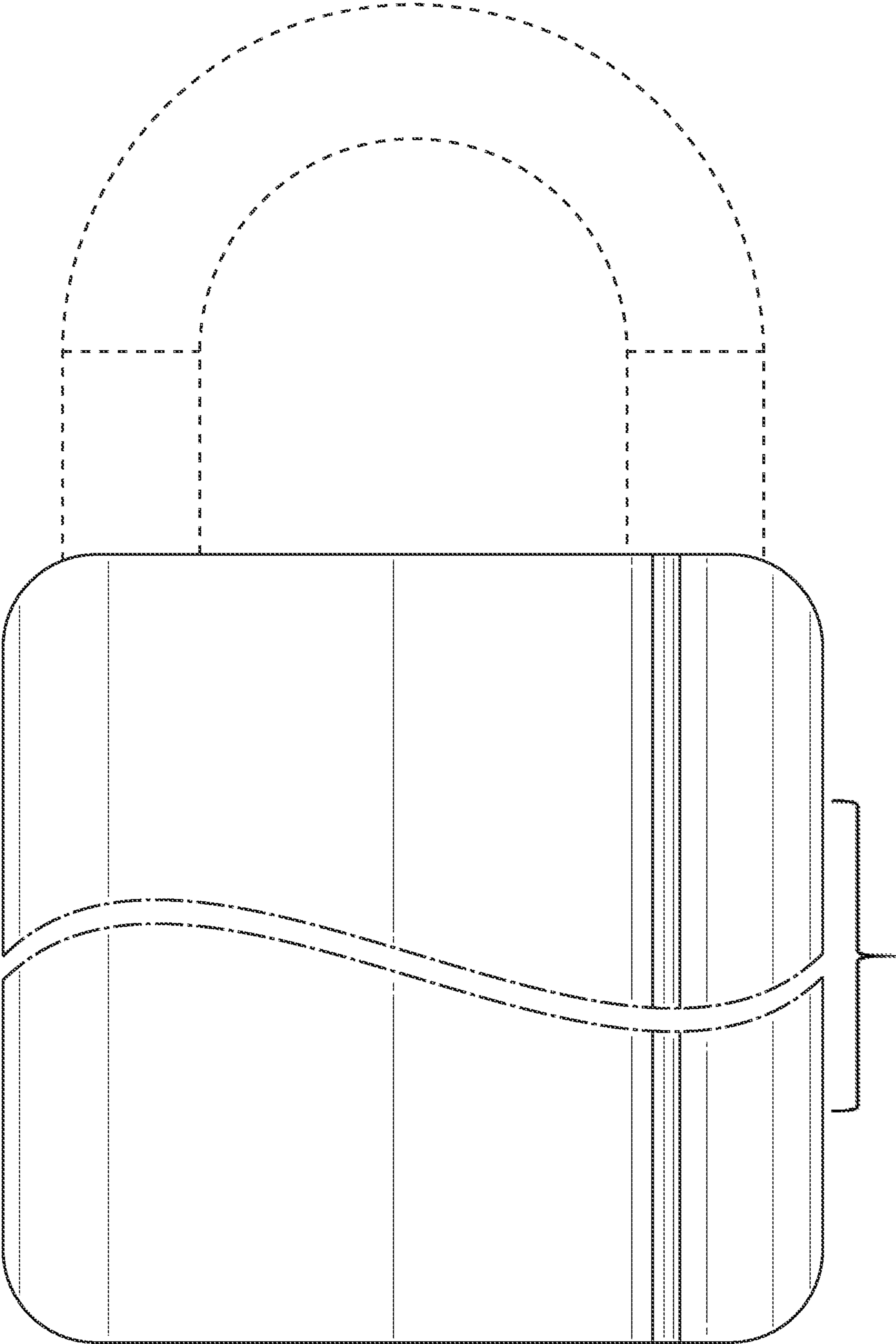
**FIG. 1**



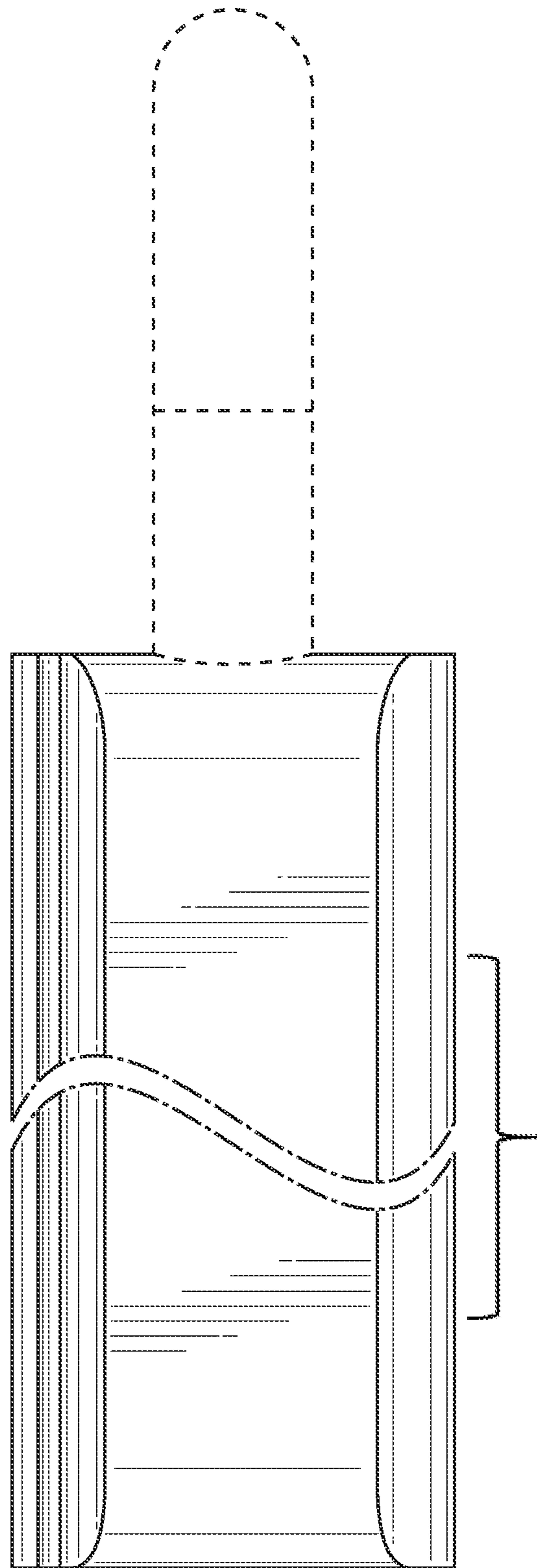
**FIG. 2**



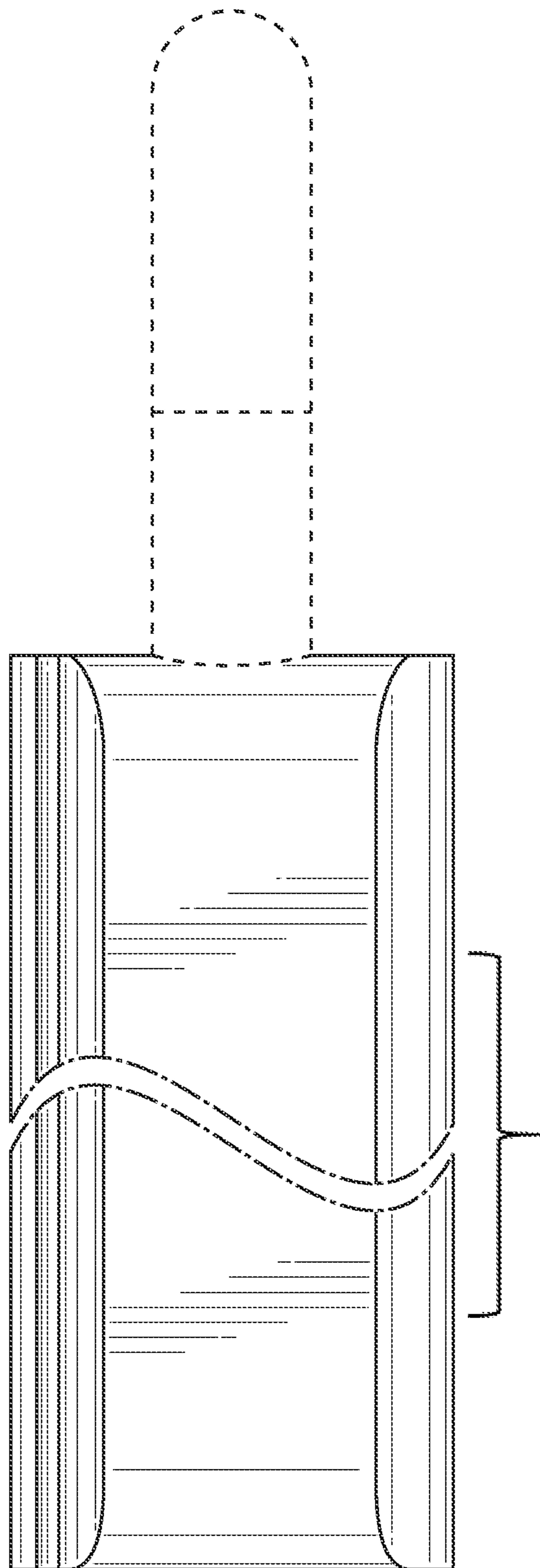
**FIG. 3**



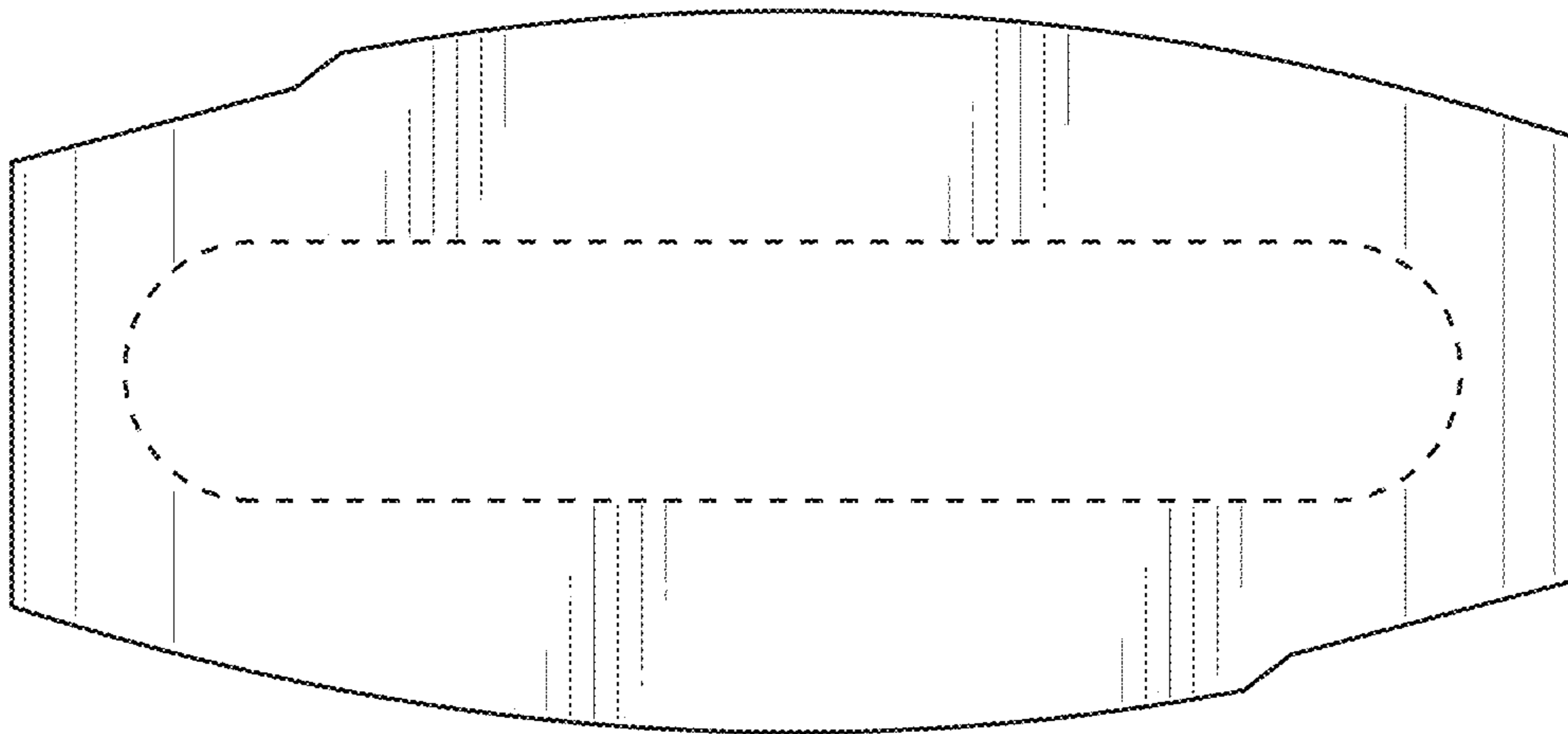
**FIG. 4**



**FIG. 5**

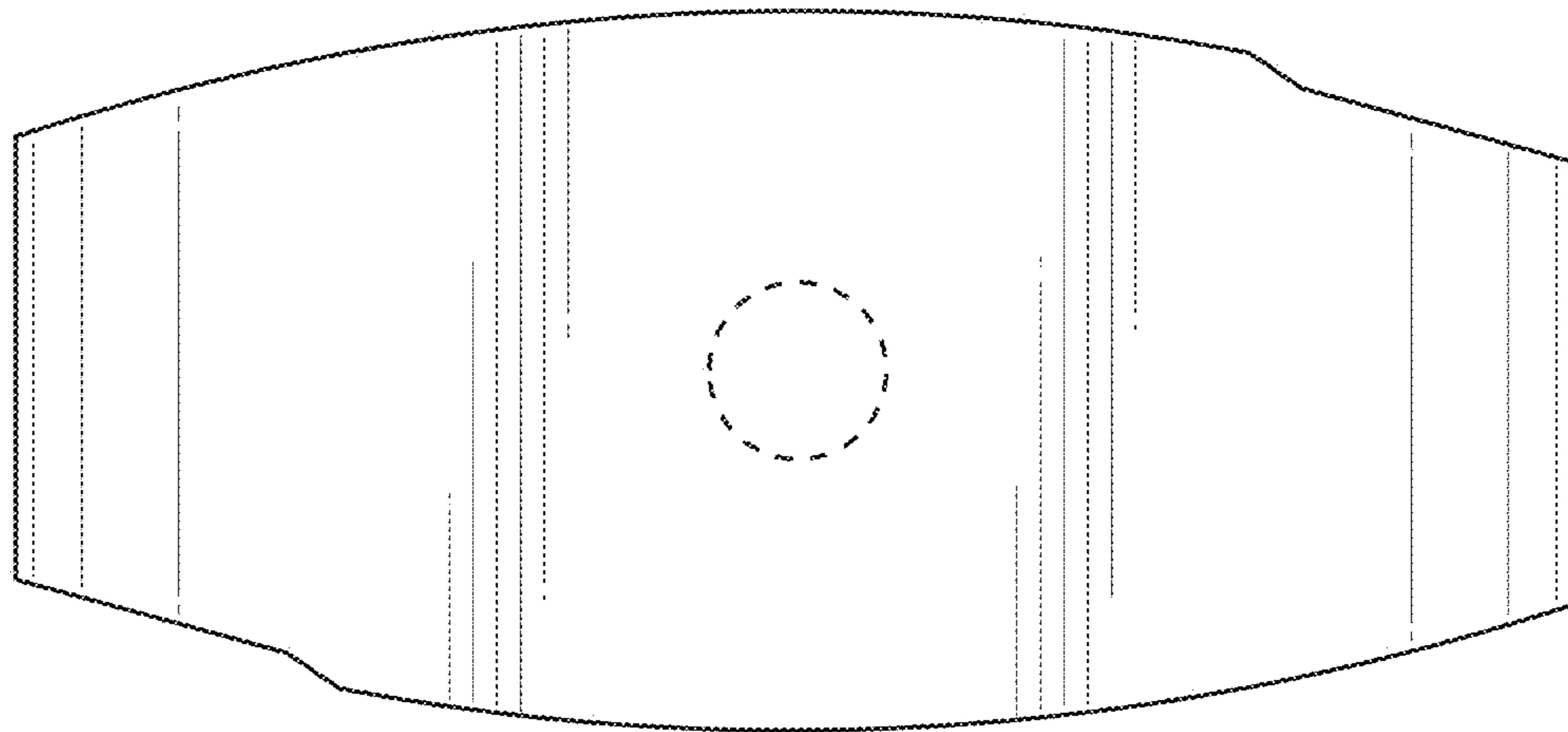


**FIG. 6**



**FIG. 7**





**FIG. 8**