



US00D906088S

(12) **United States Design Patent**
Pizanias et al.

(10) **Patent No.:** **US D906,088 S**

(45) **Date of Patent:** **** Dec. 29, 2020**

(54) **ADJUSTABLE LOCK DOWN DOOR BAR**

(71) Applicants: **Charlie Pizanias**, Campbell, OH (US);
Raymond N. DeLuco, Hubbard, OH
(US); **Gus Lyras**, Campbell, OH (US)

(72) Inventors: **Charlie Pizanias**, Campbell, OH (US);
Raymond N. DeLuco, Hubbard, OH
(US); **Gus Lyras**, Campbell, OH (US)

(**) Term: **15 Years**

(21) Appl. No.: **29/672,083**

(22) Filed: **Dec. 3, 2018**

(51) **LOC (12) Cl.** **08-07**

(52) **U.S. Cl.**
USPC **D8/339**; D8/331

(58) **Field of Classification Search**
USPC D8/330-349, 382, 383, 394-396;
70/14-28, 57, 57.1, 58, 141-143, 114,
70/158, 224, 226, 431, 465; 292/299,
292/307 R; 24/16 R, 17 B
CPC E05B 69/003; E05B 71/00; E05B 73/005;
E05B 17/142; E05B 37/0068; E05B
37/025; E05B 37/08; E05B 67/063; E05B
67/22; E05B 67/24; E05B 67/28; E05B
67/32; E05B 67/36; E05B 67/365; E05B
67/38; E05B 67/383; E05B 37/004; B62H
5/001; E05C 17/443; E05C 19/18; E05C
19/188; F16B 7/10; B60R 25/08

See application file for complete search history.

(56) **References Cited**

U.S. PATENT DOCUMENTS

D236,082 S *	7/1975	Williams et al.	D8/339
D398,831 S *	9/1998	Walton	D8/339
D461,392 S *	8/2002	Zapushek	D8/331
D504,301 S *	4/2005	Wood	D8/339
D504,302 S *	4/2005	Wood	D8/339

D587,067 S *	2/2009	Kim	D7/402
9,260,895 B1 *	2/2016	Jewett	E05C 17/44
D772,690 S *	11/2016	Warren	D8/319
D789,176 S *	6/2017	Bruce	D8/339
D821,178 S *	6/2018	Fontanez	D8/339
D889,244 S *	7/2020	Griswold	D8/330
2018/0106071 A1 *	4/2018	Ivy	E05B 13/002
2019/0009733 A1 *	1/2019	Hawkins	B60R 11/0264

FOREIGN PATENT DOCUMENTS

CN	305365424	*	3/2019
CN	305841535	*	8/2019
GB	2035188	*	11/1993
GB	2035189	*	11/1993

(Continued)

OTHER PUBLICATIONS

Lock-it Block-it, Home Security Adjustable Window Locks, Date first available Dec. 10, 2016 [online]retrieved Aug. 12, 2020, available from internet, www.amazon.com (Year: 2016).*

(Continued)

Primary Examiner — Keli L Hill

Assistant Examiner — Sara S Sahneh

(74) *Attorney, Agent, or Firm* — Harpman & Harpman

(57) **CLAIM**

The ornamental design for an adjustable lock down door bar, as shown and described.

DESCRIPTION

FIG. 1 is a front, right side and top perspective view of the adjustable lock door bar design of the invention.

FIG. 2 is a front elevational view thereof.

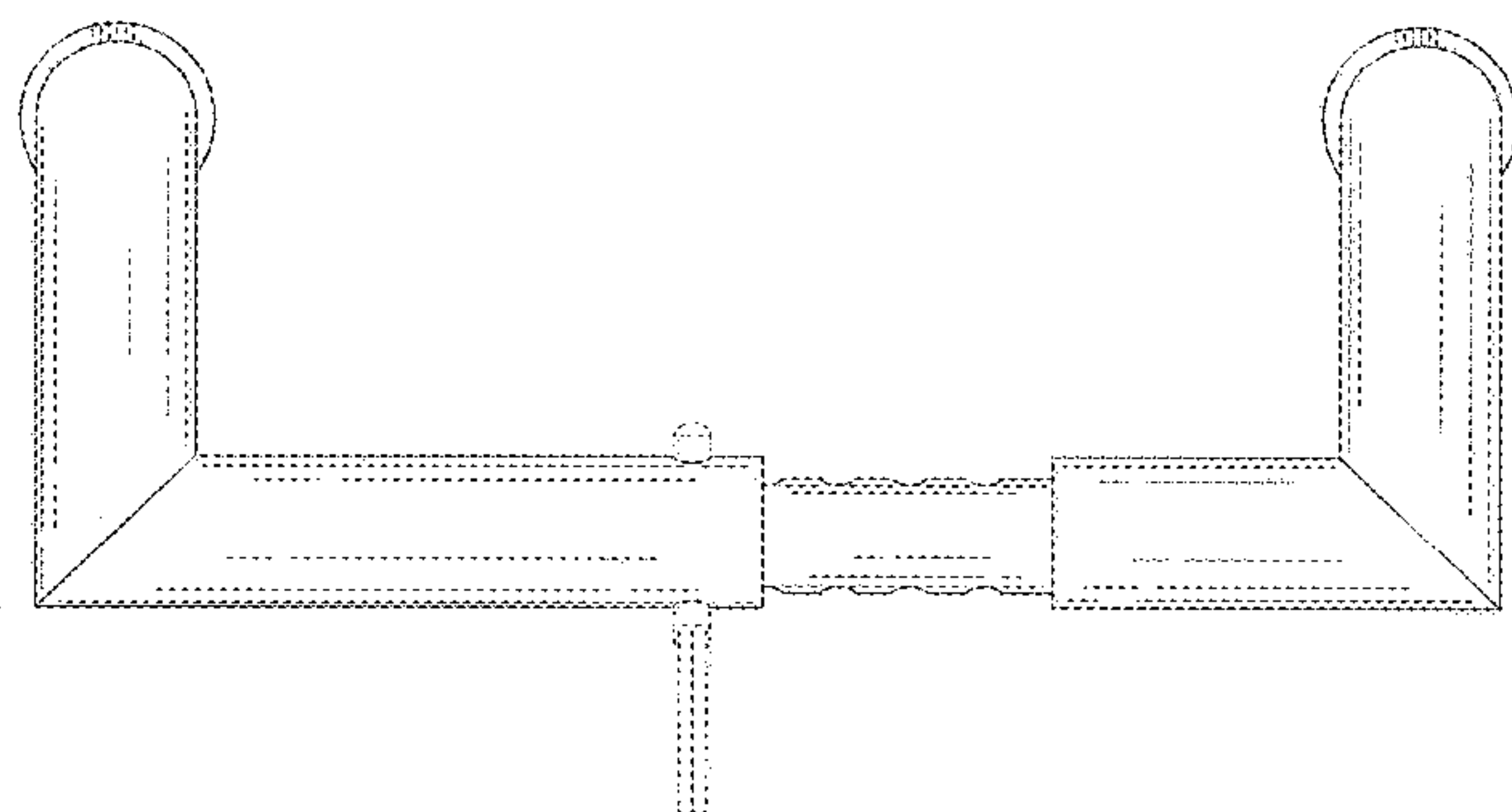
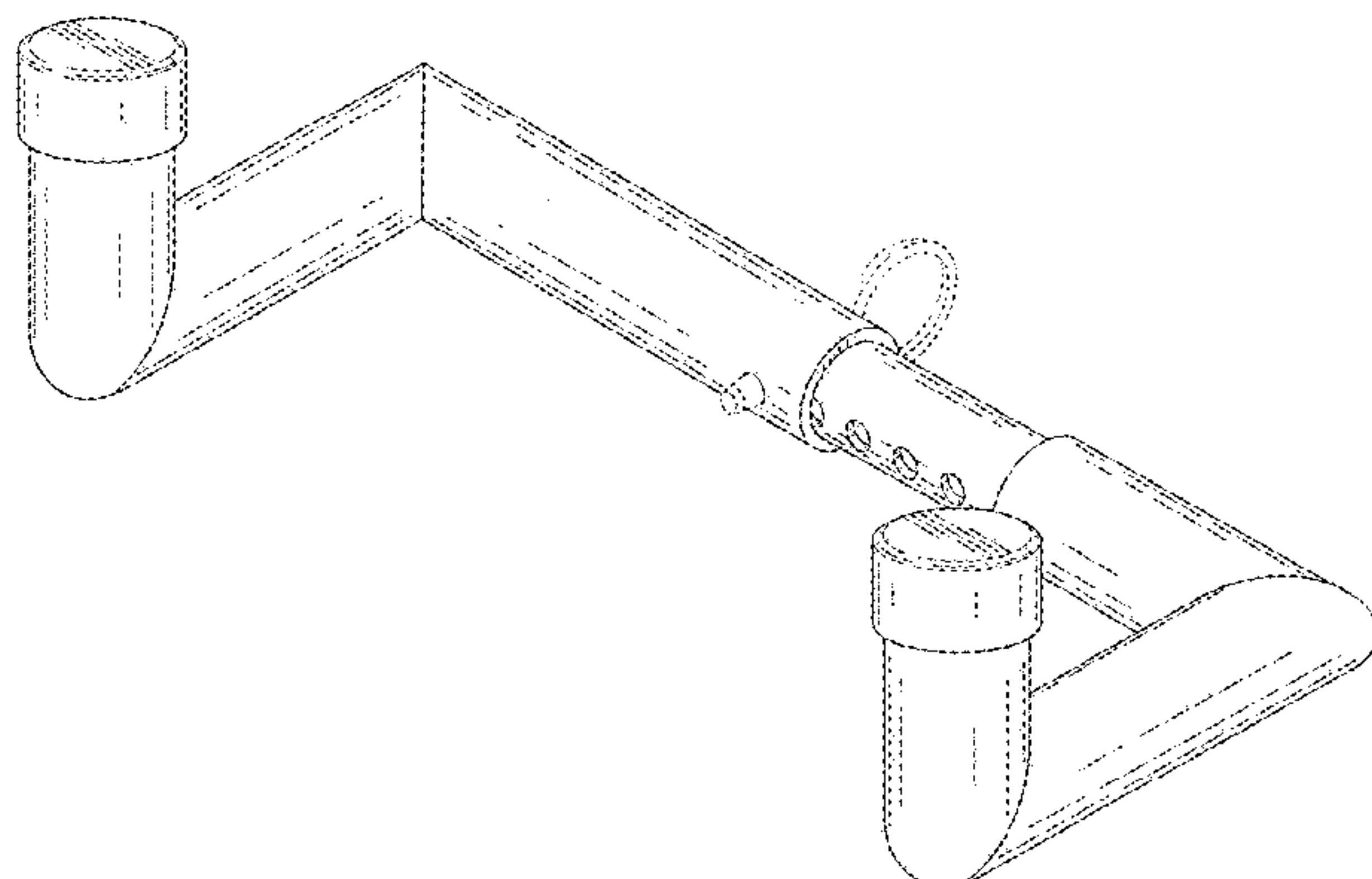
FIG. 3 is a rear elevational view thereof.

FIG. 4 is a top plan view thereof.

FIG. 5 is a bottom plan view thereof; and,

FIG. 6 is a left side elevational view thereof.

1 Claim, 5 Drawing Sheets



(56)

References Cited

FOREIGN PATENT DOCUMENTS

IL 59222 * 9/2016
IL 59828 * 1/2017

OTHER PUBLICATIONS

SnowyFox Store, RV Screen Door Cross Bar Handle Adjustable Grab Handle 21⁵/₈, Date first available May 22, 2019 [online] retrieved Aug. 12, 2020, available from internet, www.amazon.com (Year: 2019).*

Patlock, Security Lock for French Doors—straight Handle, Date first available Dec. 16, 2015 [online]retrieved Aug. 12, 2020, available from internet, www.amazon.com (Year: 2015).*

TURBRO Store, Adjustable Window Security Lock Bar, Sliding Door Jammer, Date first available Jun. 15, 2020 [online]retrieved Aug. 31, 2020, available from internet, www.amazon.com (Year: 2020).*

* cited by examiner

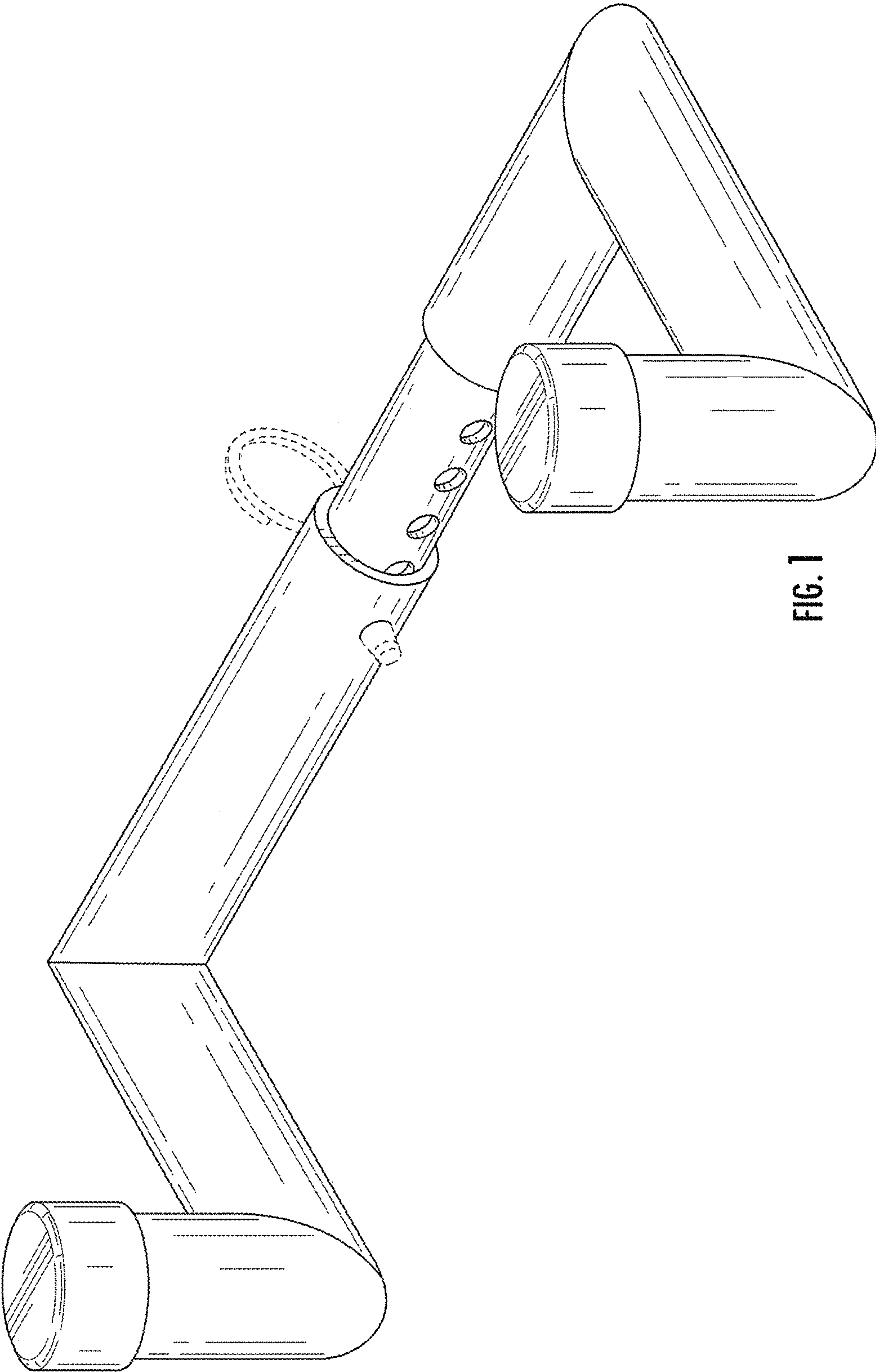


FIG. 1

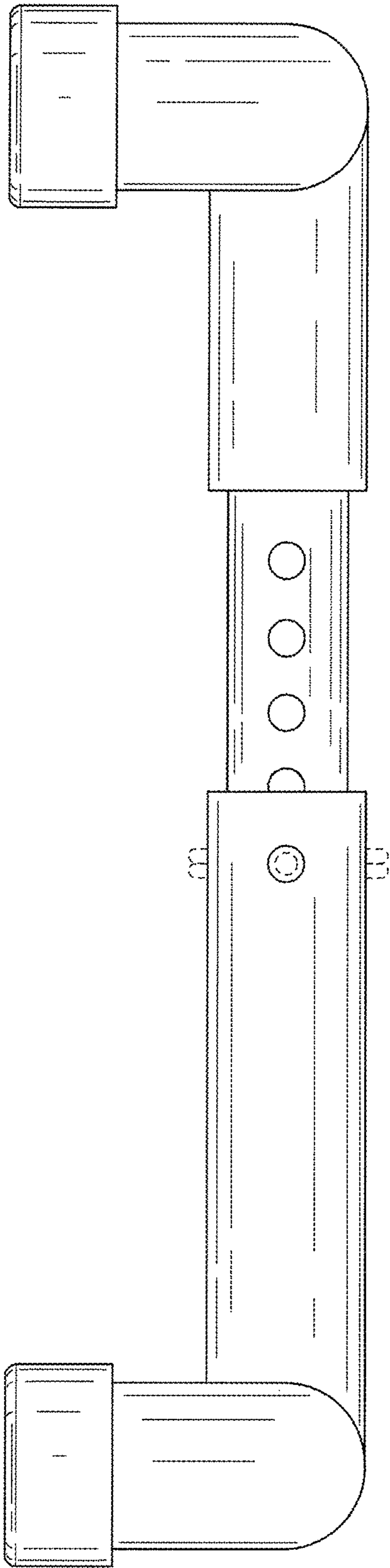


FIG. 2

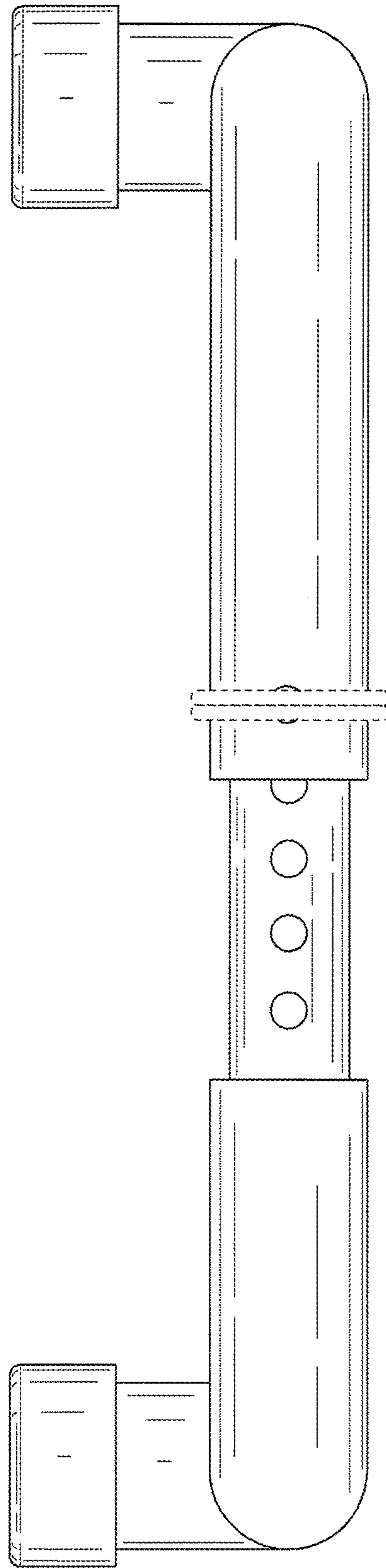


FIG. 3

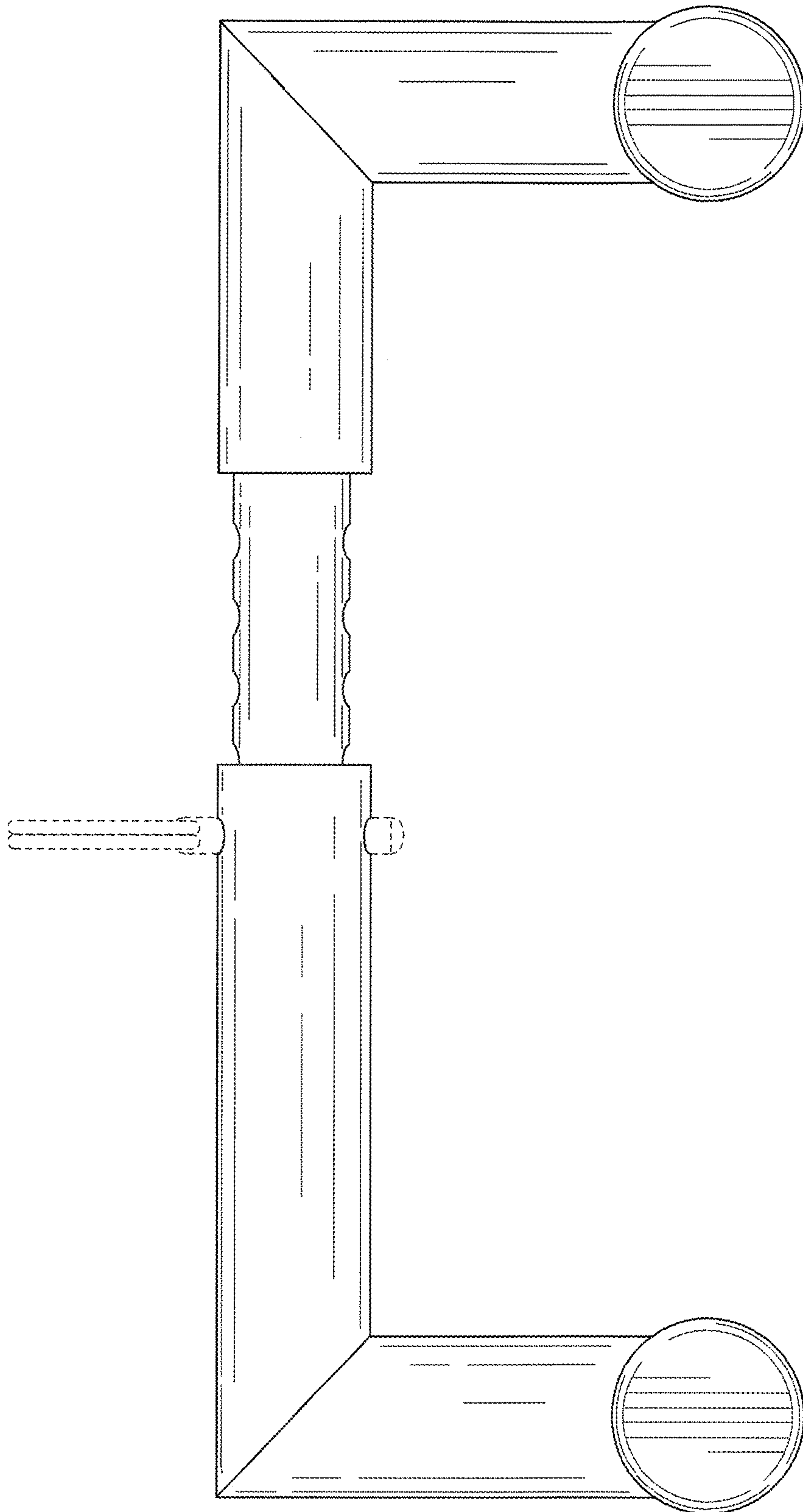


FIG. 4

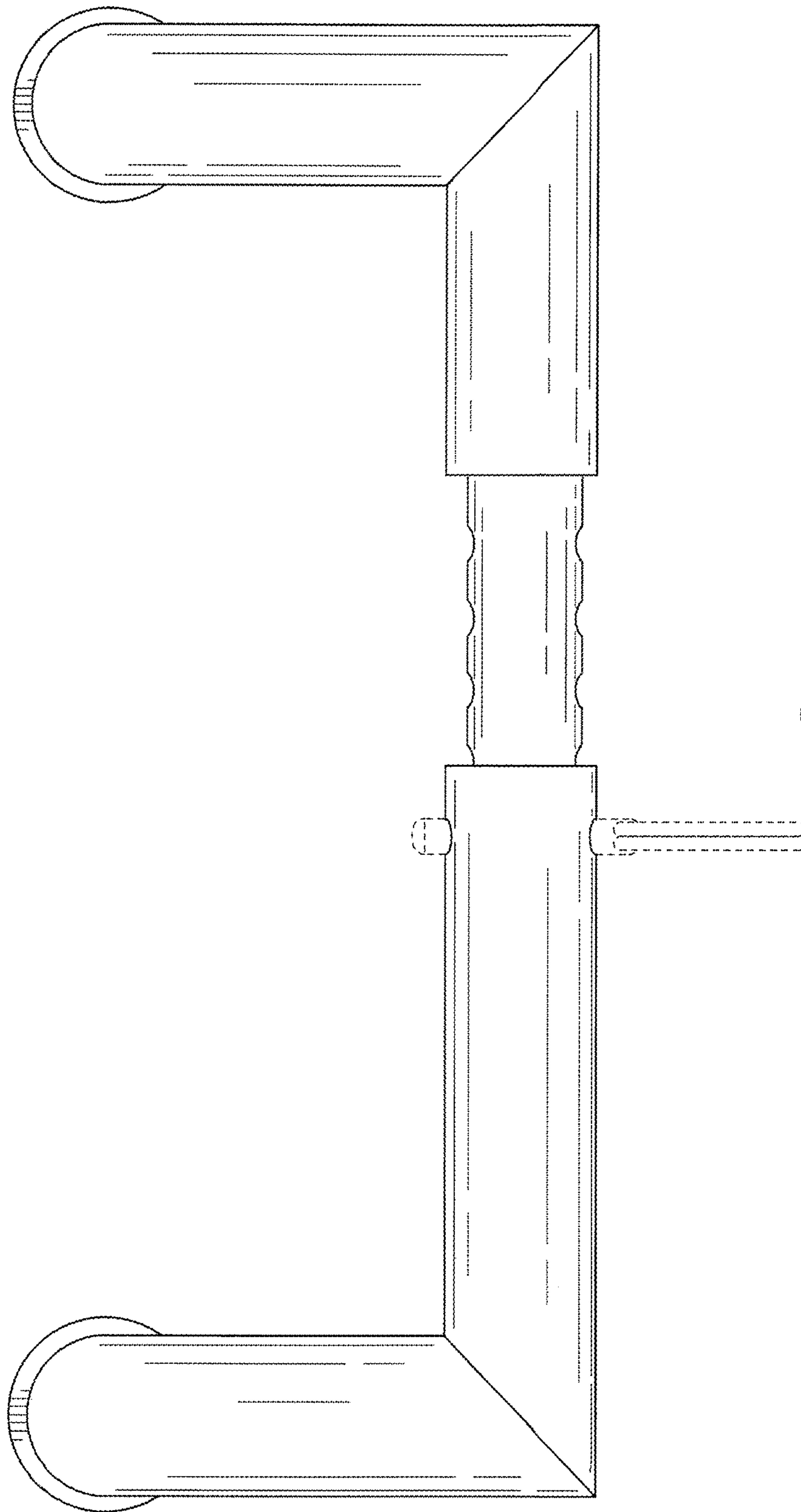


FIG. 5

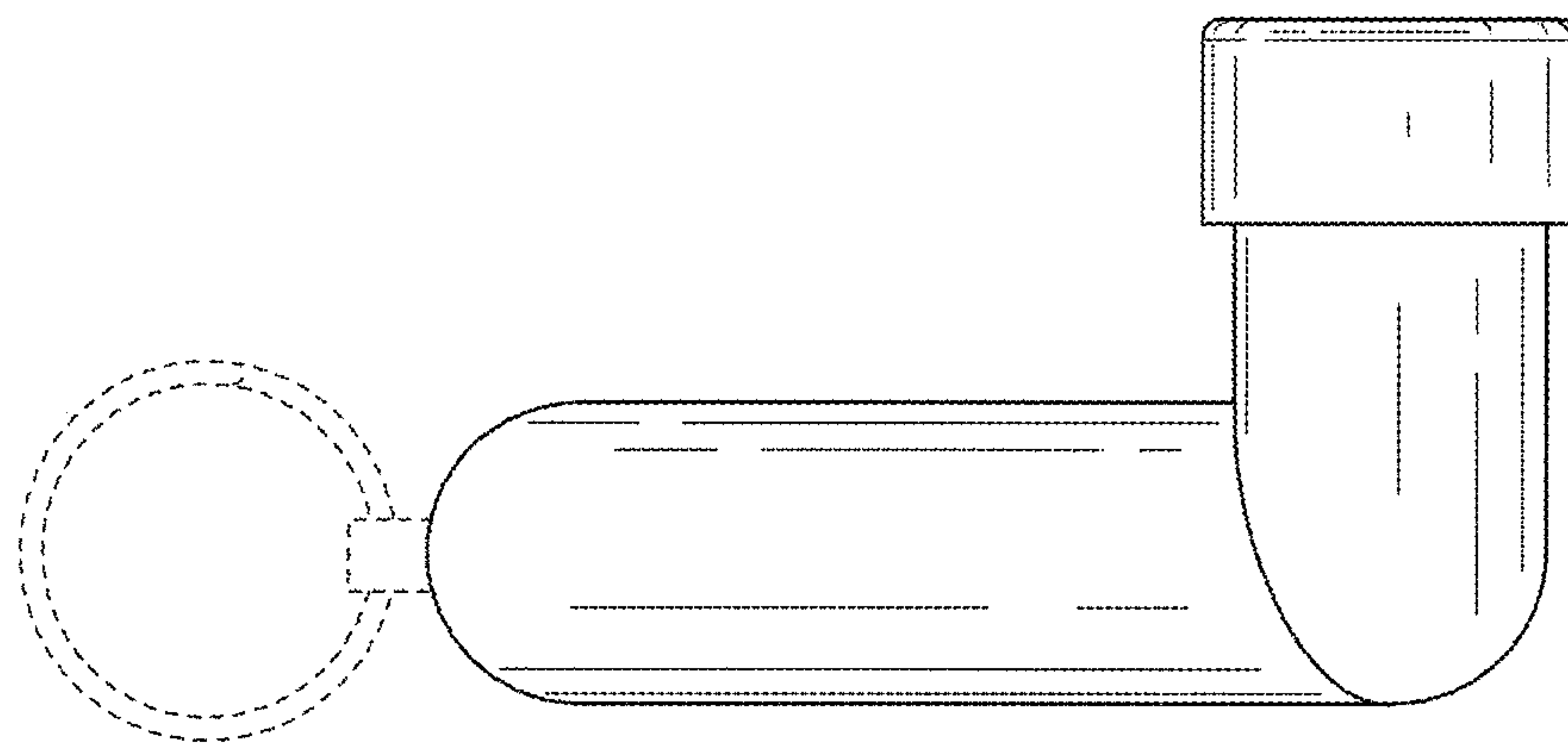


FIG. 6