



US00D906087S

(12) **United States Design Patent**  
**Zheng**

(10) **Patent No.:** **US D906,087 S**

(45) **Date of Patent:** **\*\* Dec. 29, 2020**

(54) **SMART LOCK WITH A GRAPHICAL USER INTERFACE**

(71) Applicant: **PIN GENIE Limited**, Kowloon (HK)

(72) Inventor: **Li Zheng**, Hong Kong (CN)

(73) Assignee: **PIN GENIE Limited**, Hong Kong (HK)

(\*\*) Term: **15 Years**

(21) Appl. No.: **29/709,930**

(22) Filed: **Oct. 18, 2019**

(30) **Foreign Application Priority Data**

Aug. 14, 2019 (CN) ..... 2019 3 0441822

(51) **LOC (12) Cl.** ..... **08-07**

(52) **U.S. Cl.**  
USPC ..... **D8/331**

(58) **Field of Classification Search**

USPC ..... D8/330, 331; D14/485, 490  
CPC . Y10T 70/50; Y10T 70/5004; Y10T 70/5155;  
Y10T 70/5199; E05B 47/06; E05B  
47/0001; E05B 47/0615; E05B 47/0012;  
E05B 47/0011; E05B 47/00; E05B 41/00;  
E05B 51/00; E05B 53/00; E05B 65/0032;  
E05B 2047/0014; E05B 2047/0068; E05B  
63/16; G06F 3/00; G06F 1/16; G06F  
3/0488; G06F 3/02; G06F 3/048; G06F  
3/04817; G06F 3/05; G06F 3/04892  
See application file for complete search history.

(56) **References Cited**

**U.S. PATENT DOCUMENTS**

7,681,424 B2 \* 3/2010 Antonucci ..... E05C 3/042  
70/208  
D693,206 S \* 11/2013 Mostert ..... D8/350

9,187,929 B2 \* 11/2015 Webb ..... E05C 1/16  
9,528,299 B2 \* 12/2016 Yoon ..... E05B 55/00  
D811,852 S \* 3/2018 Xin ..... D8/331  
9,982,462 B2 \* 5/2018 Lin ..... H02K 7/116  
10,526,824 B2 \* 1/2020 Farias ..... E05B 15/02  
D879,588 S \* 3/2020 Singtoroj ..... D8/331

**FOREIGN PATENT DOCUMENTS**

CN 304745876 S 7/2018

\* cited by examiner

*Primary Examiner* — Doris Clark

(74) *Attorney, Agent, or Firm* — Lerner, David,  
Littenberg, Krumholz & Mentlik, LLP

(57) **CLAIM**

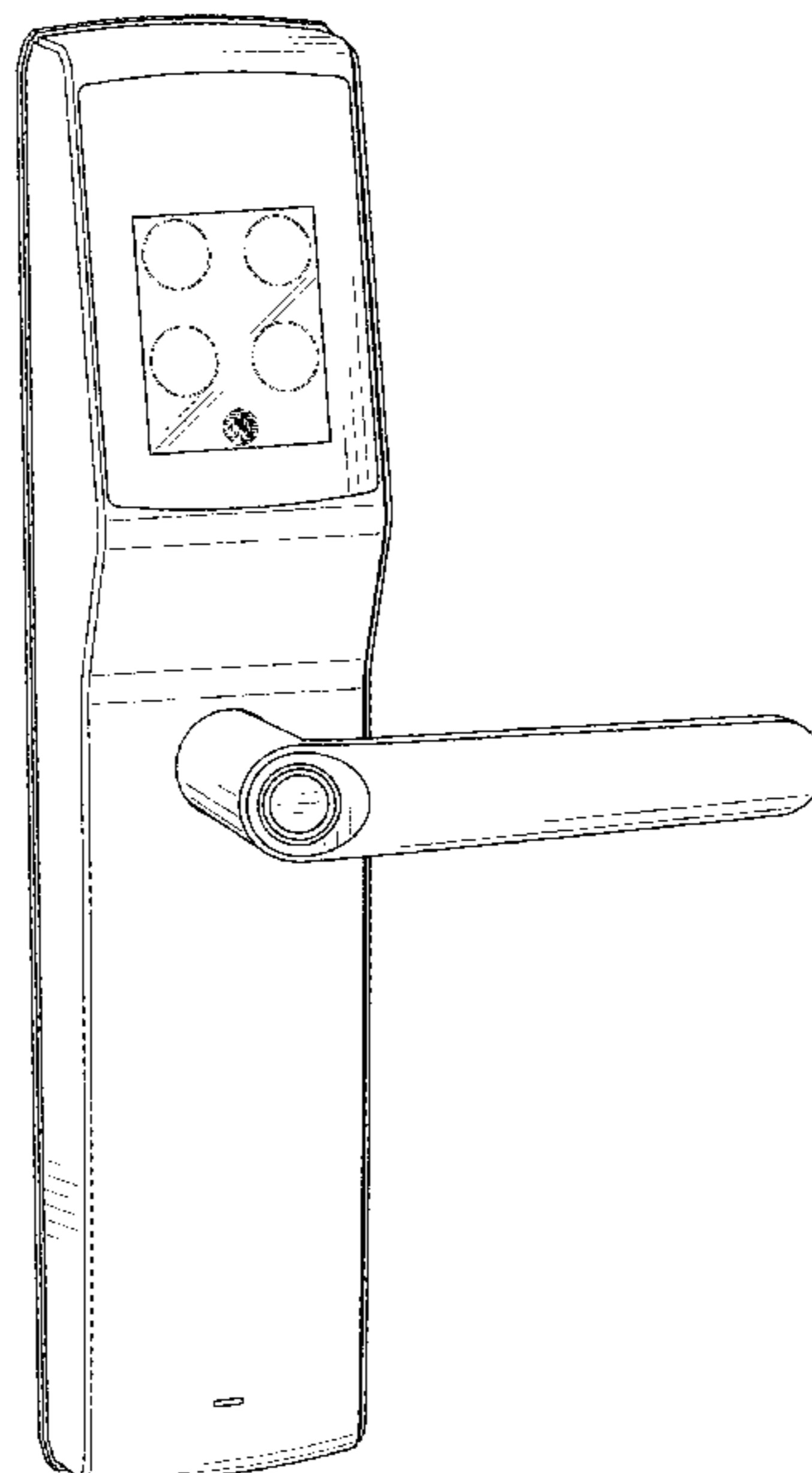
The ornamental design for a smart lock with a graphical user interface, as shown and described.

**DESCRIPTION**

FIG. 1 is a front perspective view of a smart lock with a graphical user interface according to my design;  
FIG. 2 is a front elevation view thereof;  
FIG. 3 is a rear elevation view thereof;  
FIG. 4 is a right side elevation view thereof;  
FIG. 5 is a left side elevation view thereof;  
FIG. 6 is a top plan view thereof;  
FIG. 7 is a bottom plan view thereof; and,  
FIG. 8 is a front elevation view showing the display of the smart lock with graphical user interface in use in broken lines.

The evenly spaced broken lines shown in the drawings are for the purpose of illustrating environmental features that form no part of the claimed design.

**1 Claim, 8 Drawing Sheets**



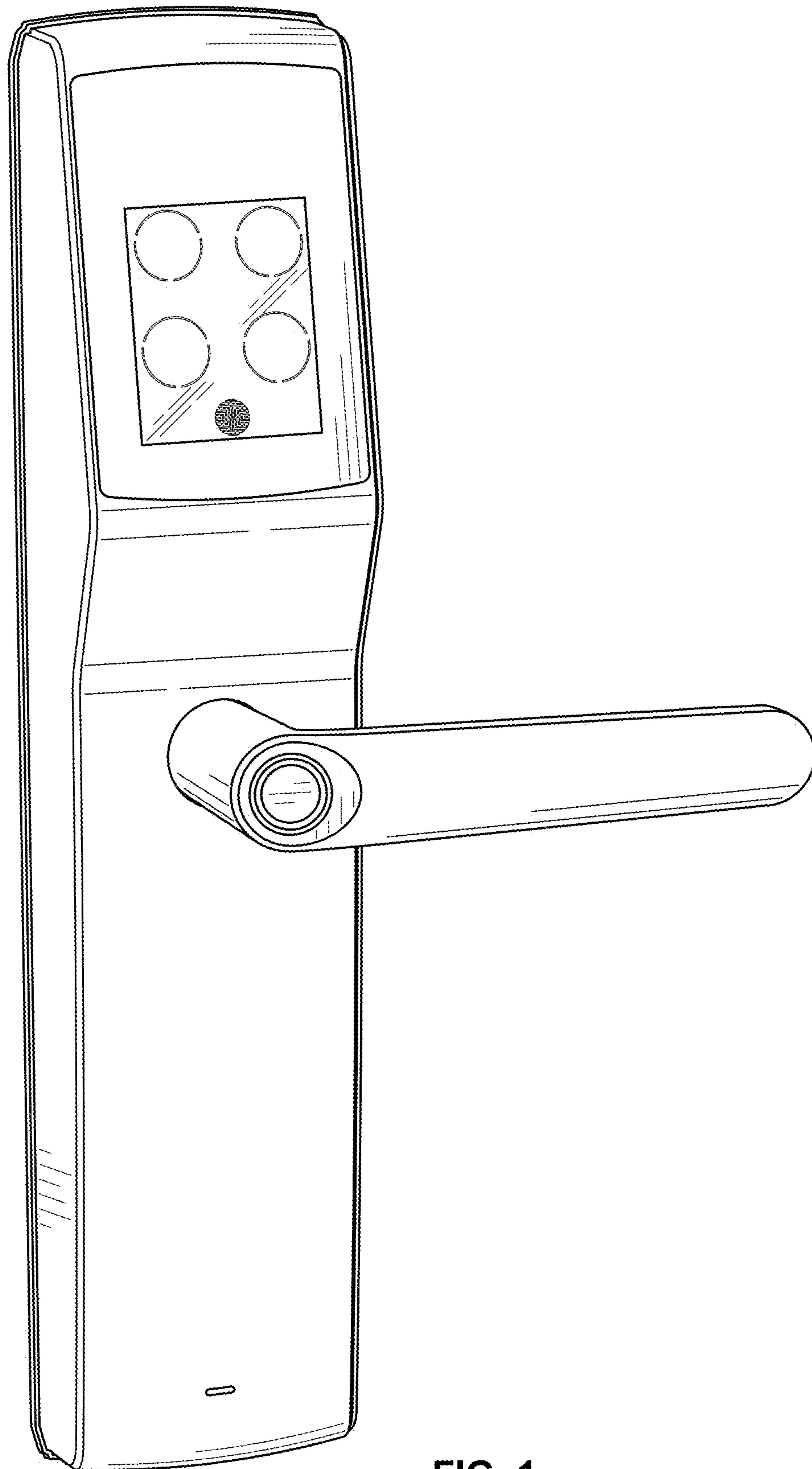


FIG. 1

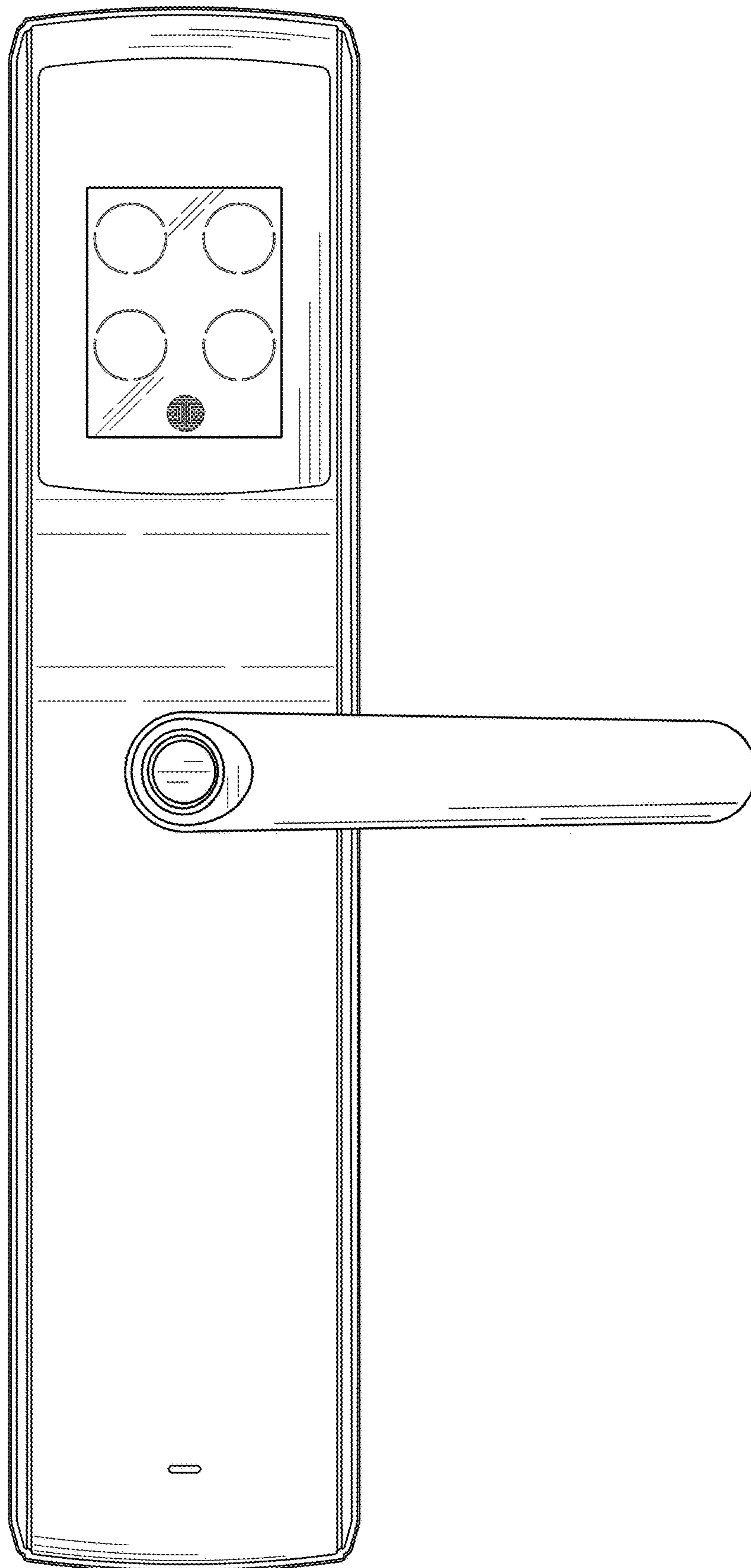


FIG. 2

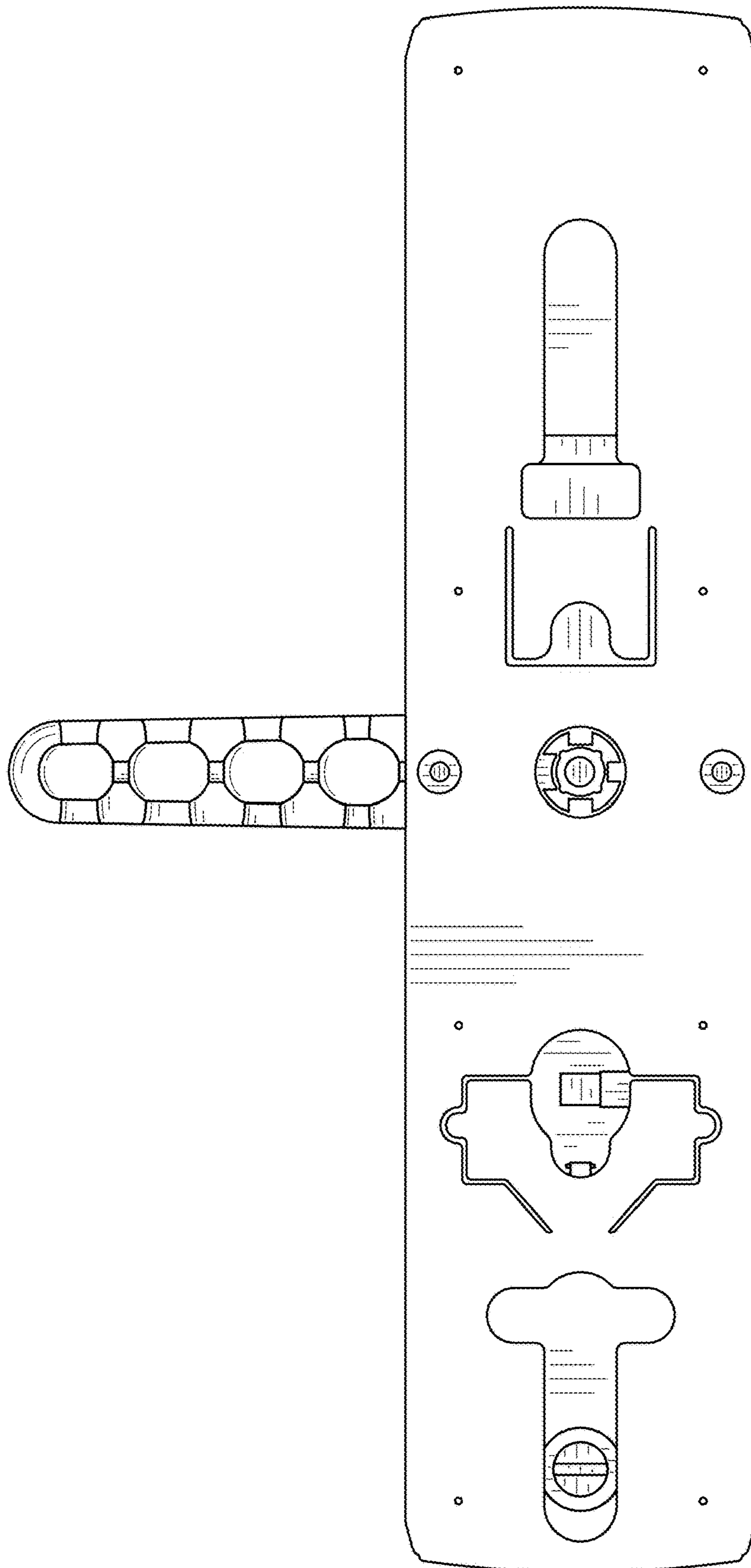


FIG. 3

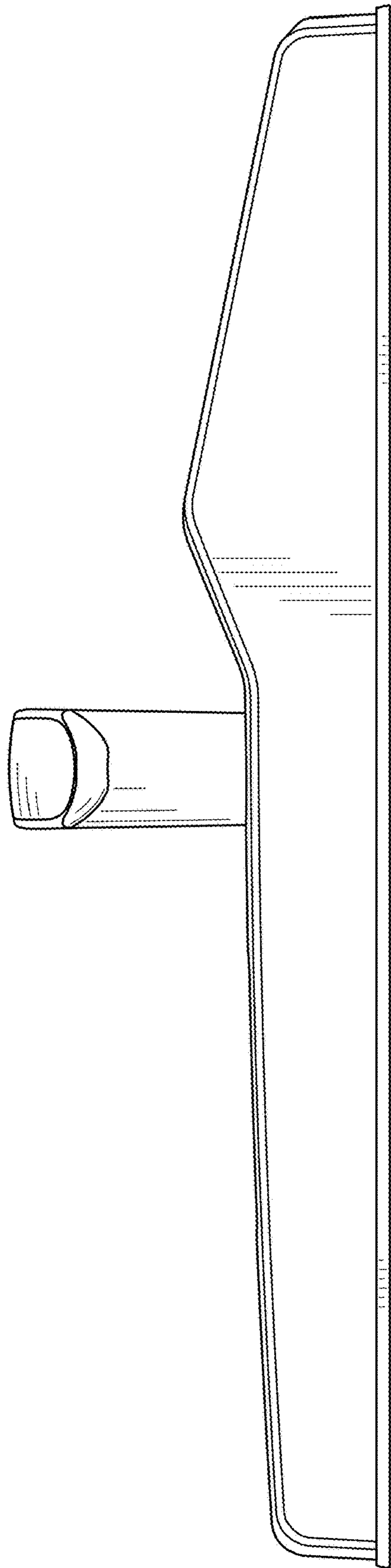


FIG. 4



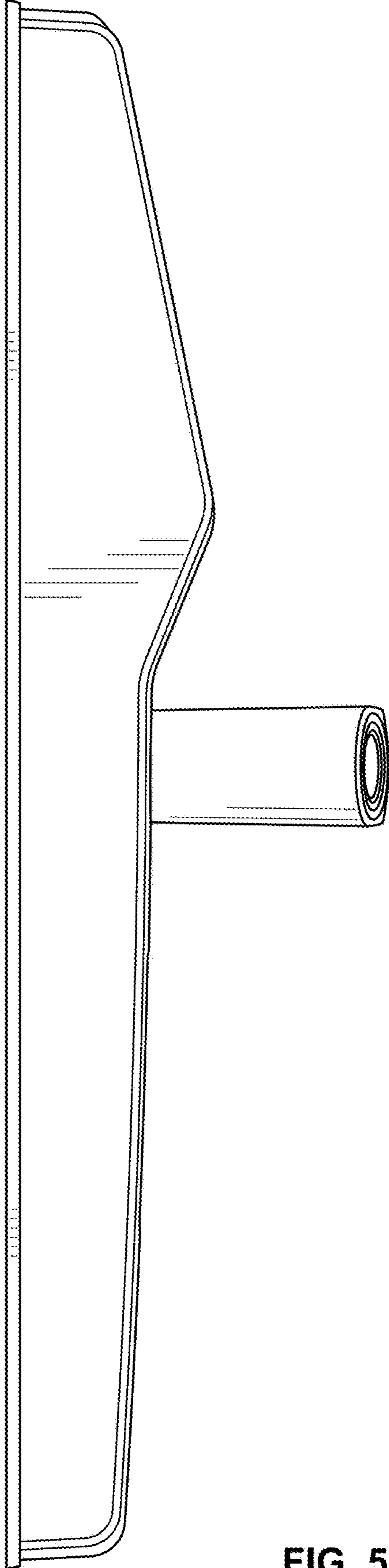


FIG. 5

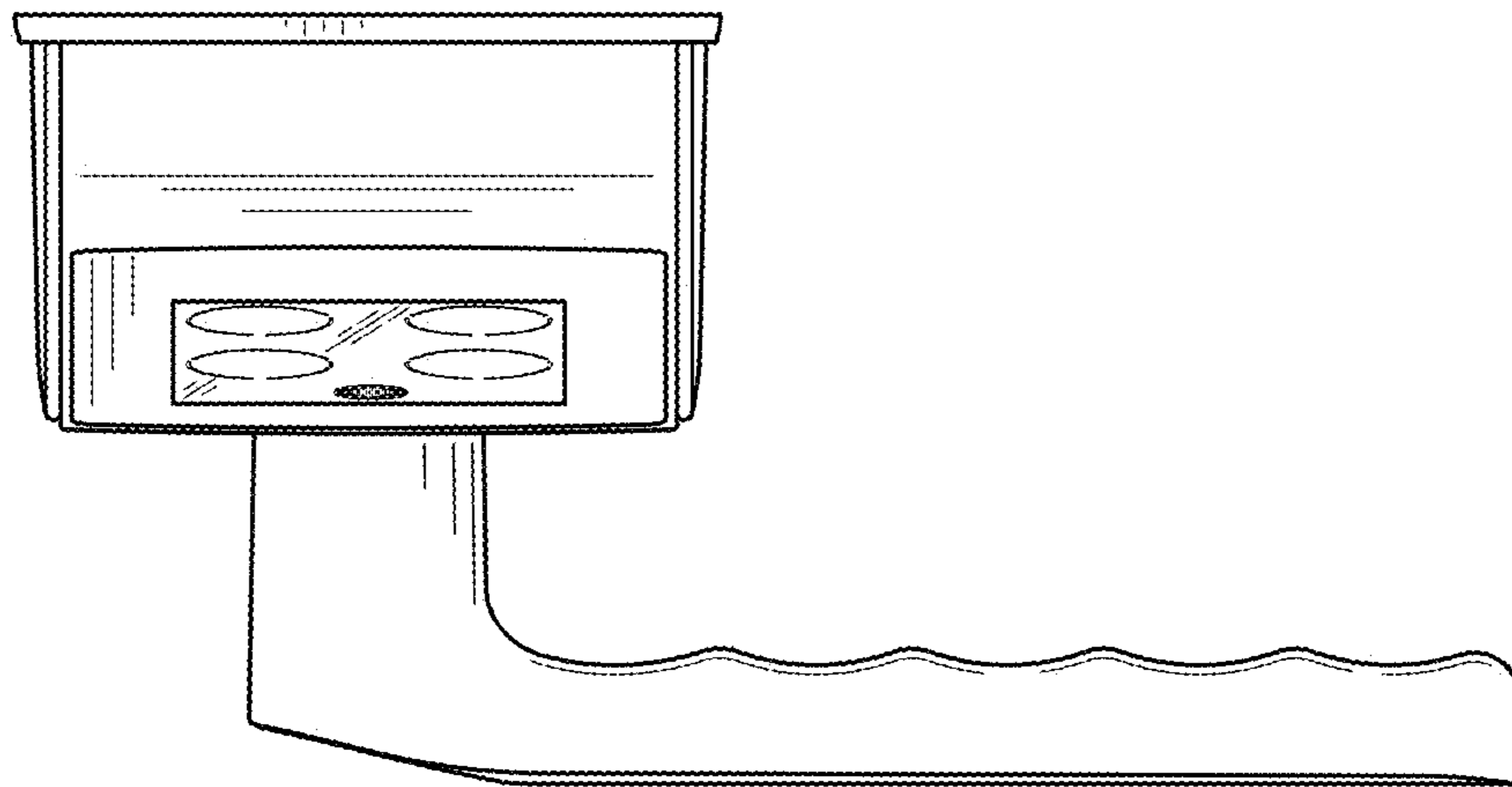


FIG. 6

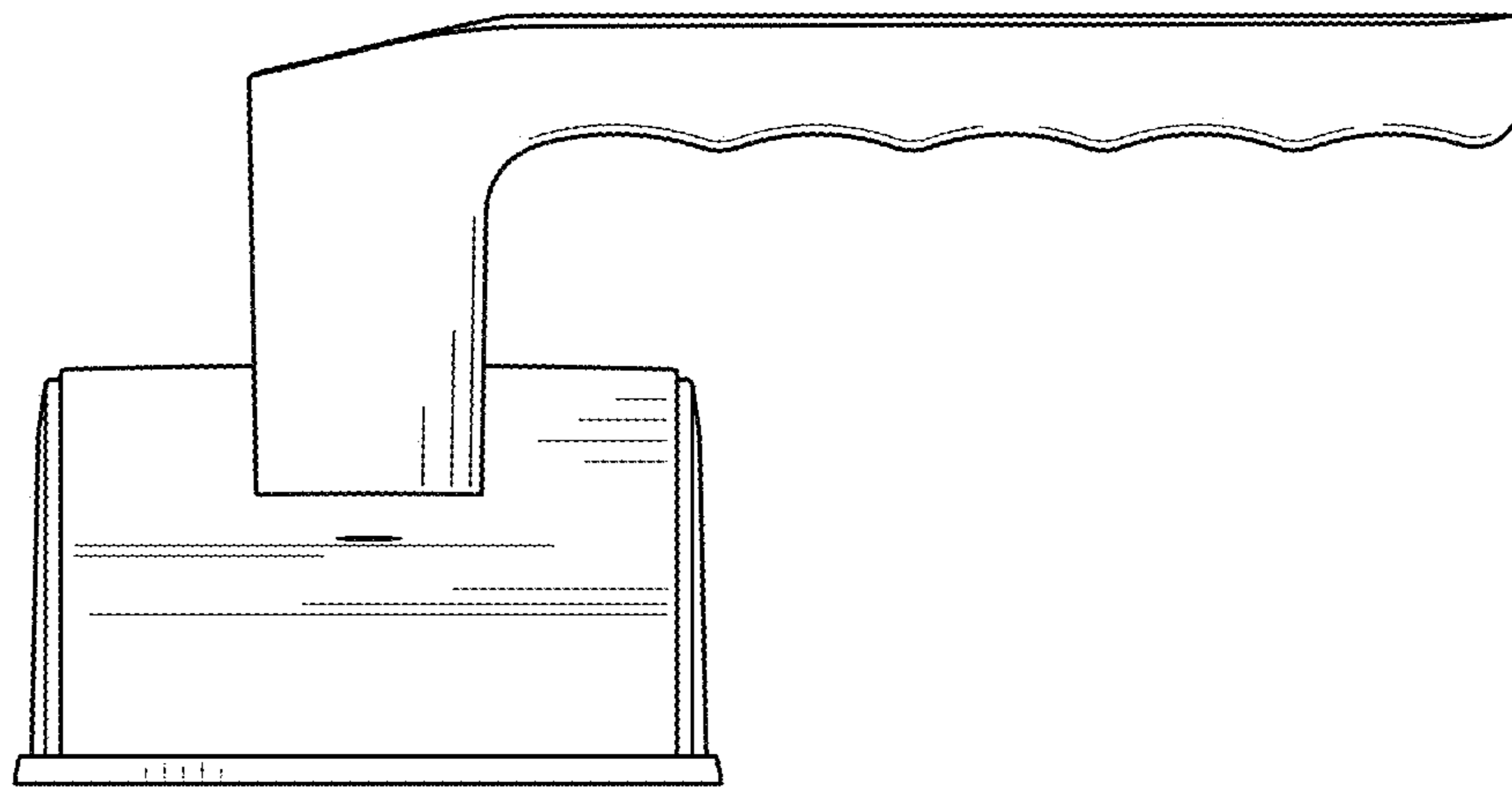


FIG. 7



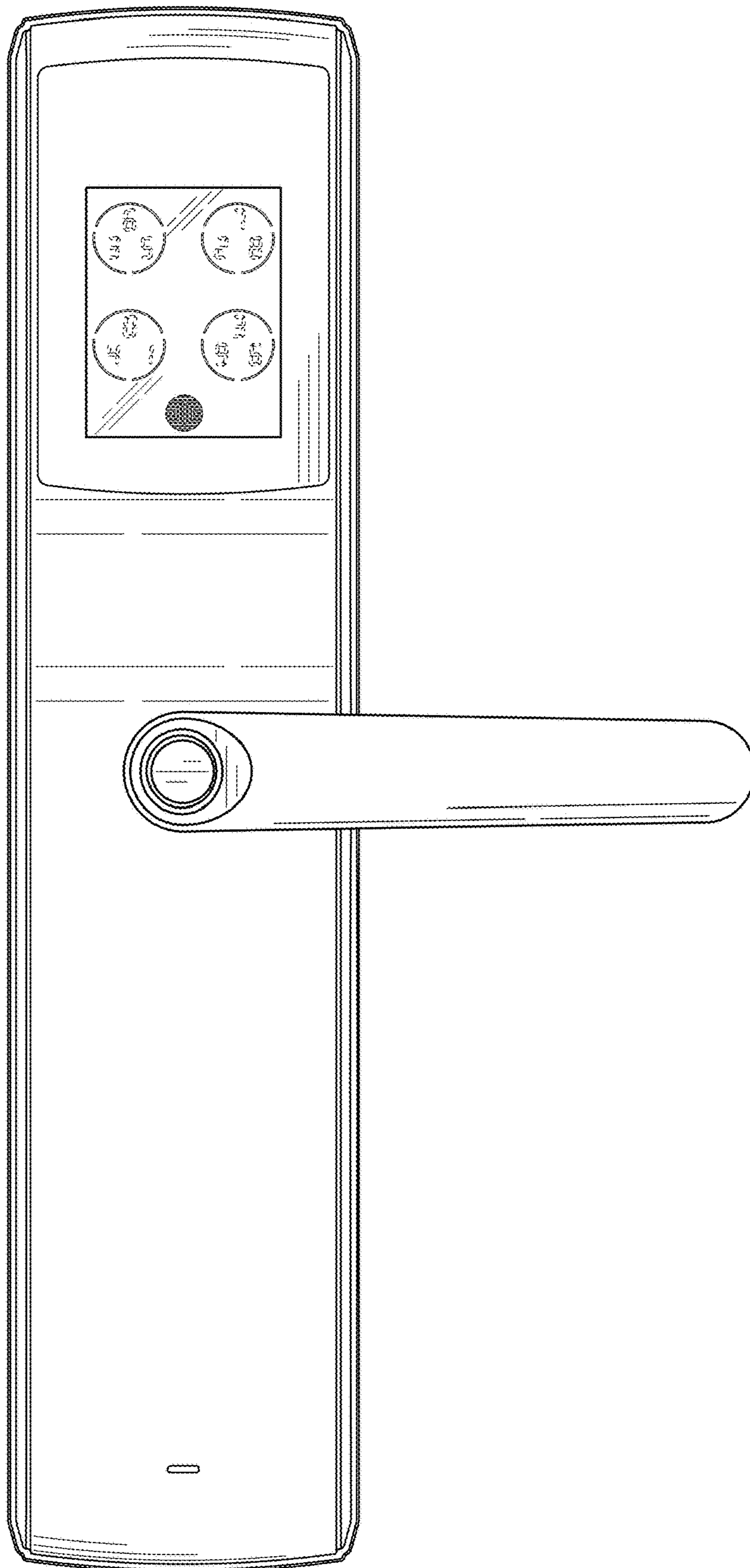


FIG. 8