



US00D906086S

(12) **United States Design Patent**
Qinggui

(10) **Patent No.: US D906,086 S**

(45) **Date of Patent: ** Dec. 29, 2020**

- (54) **SMART LOCK**
- (71) Applicant: **ZKTECO CO., LTD.**, Dongguan (CN)
- (72) Inventor: **Wei Qinggui**, Dongguan (CN)
- (73) Assignee: **ZKTECO CO., LTD.**, Dongguan (CN)
- (**) Term: **15 Years**
- (21) Appl. No.: **29/657,354**
- (22) Filed: **Jul. 20, 2018**
- (30) **Foreign Application Priority Data**

- 6,412,318 B1 * 7/2002 Shen E05B 47/0661
70/217
 - 6,471,257 B1 * 10/2002 Lu E05B 47/0012
292/144
 - 6,517,127 B1 * 2/2003 Lu E05B 47/0012
292/142
 - D502,859 S * 3/2005 Peng D8/331
 - 6,935,149 B1 * 8/2005 Peng E05B 13/101
70/149
 - D570,188 S * 6/2008 Luo D8/330
 - 7,516,633 B1 * 4/2009 Chang E05B 13/101
292/251.5
 - 7,543,469 B1 * 6/2009 Tseng E05B 47/026
292/142
 - D597,821 S * 8/2009 Nunez D8/330
 - D614,475 S * 4/2010 Min D8/331
- (Continued)

- May 23, 2018 (CN) 2018 3 0243685
- (51) **LOC (12) Cl.** **08-07**
- (52) **U.S. Cl.**
USPC **D8/331**
- (58) **Field of Classification Search**
USPC D8/330, 331, 336, 337, 338, 339, 341,
D8/342, 343, 350, 352, 353
CPC ... E05B 9/00; E05B 9/08; E05B 9/002; E05B
47/00; E05B 63/00; E05B 63/0004; E05B
63/06; E05B 51/00; E05B 55/00; E05B
47/0012; E05B 1/0007; E05B 47/068;
E05B 2047/0017; E05B 2047/002; E05B
49/00; E05B 47/0657; E05B 45/06; E05B
47/0603; E05B 2047/0068; E05B 47/02;
E05B 47/06; E05B 63/04; E05B 55/005;
E05B 47/0043; E05B 3/00
See application file for complete search history.

Primary Examiner — Steven J Czyz
(74) *Attorney, Agent, or Firm* — Conley Rose, P. C.;
Grant Rudolph

(57) **CLAIM**

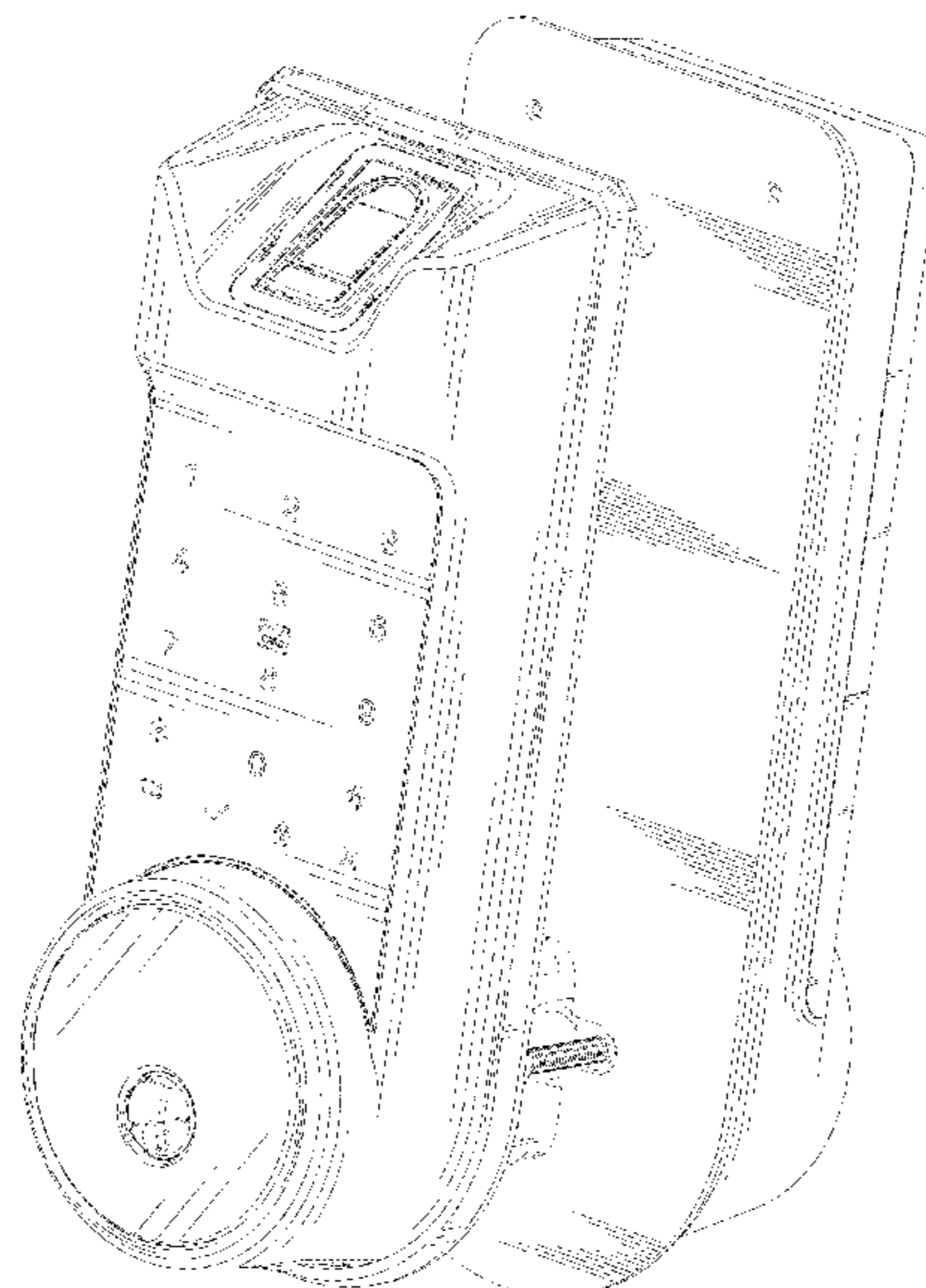
The ornamental design for a smart lock, as shown and described.

DESCRIPTION

FIG. 1 is a first perspective view of a smart lock;
FIG. 2 is a second perspective view thereof;
FIG. 3 is a third perspective view thereof;
FIG. 4 is a fourth perspective view thereof;
FIG. 5 is a front view thereof;
FIG. 6 is a rear view thereof;
FIG. 7 is a left side view thereof;
FIG. 8 is a right side view thereof;
FIG. 9 is a top view thereof; and,
FIG. 10 is a bottom view thereof.
The design which is claimed is shown in solid lines in the drawings. The broken lines shown in the drawings depict portions of the smart lock, and form no part of the claimed design.

- (56) **References Cited**
U.S. PATENT DOCUMENTS
- 4,665,727 A * 5/1987 Uyeda E05B 37/00
70/277
- D305,861 S * 2/1990 Kautt D8/330
- D351,982 S * 11/1994 Chen D8/301
- D452,807 S * 1/2002 Gartner D8/330

1 Claim, 10 Drawing Sheets



(56)

References Cited

U.S. PATENT DOCUMENTS

D634,181 S *	3/2011	Kang	D8/330	D789,769 S *	6/2017	Hsu	D8/330
7,918,114 B2 *	4/2011	Walsh, III	E05B 47/0661	D790,318 S *	6/2017	Hsu	D8/330
			70/283	D790,319 S *	6/2017	Schneider	D8/331
D663,603 S *	7/2012	Guo	D8/302	D790,320 S *	6/2017	Schneider	D8/331
8,291,733 B2 *	10/2012	Chiou	E05B 47/0661	D790,321 S *	6/2017	Hsu	D8/331
			292/279	D790,950 S *	7/2017	Kraus	D8/330
D673,838 S *	1/2013	Clark	D8/353	D791,569 S *	7/2017	Chen	D8/331
8,356,499 B2 *	1/2013	Peng	E05B 47/068	D794,414 S *	8/2017	Chou	D8/330
			70/224	D798,688 S *	10/2017	Yong	D8/331
8,365,561 B2 *	2/2013	Chang	E05B 47/02	D802,396 S *	11/2017	Hsu	D8/330
			292/142	D804,279 S *	12/2017	Gokcebay	D8/331
D682,656 S *	5/2013	Cramer	D8/331	D811,852 S *	3/2018	Xin	D8/331
D682,658 S *	5/2013	Cramer	D8/331	D817,148 S *	5/2018	Carpintero	D8/331
D683,205 S *	5/2013	Cramer	D8/331	9,982,462 B2 *	5/2018	Lin	E05B 47/0012
D686,056 S *	7/2013	Li	D8/331	10,047,544 B2 *	8/2018	Yen	E05B 47/0012
8,490,445 B2 *	7/2013	Chiou	E05B 47/0012	D832,074 S *	10/2018	Gokcebay	D8/331
			70/224	D832,075 S *	10/2018	Gokcebay	D8/331
D696,095 S *	12/2013	Kim	D8/331	D832,076 S *	10/2018	Gokcebay	D8/331
8,621,900 B2 *	1/2014	Wu	E05B 47/026	D832,077 S *	10/2018	Gokcebay	D8/331
			292/142	D832,078 S *	10/2018	Gokcebay	D8/331
D720,598 S *	1/2015	Dayanikli	D8/330	D832,079 S *	10/2018	Gokcebay	D8/331
D733,522 S *	7/2015	Kim	D8/331	D832,080 S *	10/2018	Gokcebay	D8/331
D735,016 S *	7/2015	Kim	D8/331	D832,081 S *	10/2018	Gokcebay	D8/331
D737,657 S *	9/2015	Nadgouda	D8/331	10,087,652 B2 *	10/2018	Snider	E05B 17/10
D738,186 S *	9/2015	Nadgouda	D8/331	10,115,250 B2 *	10/2018	Biehl	G07C 9/00174
9,187,929 B2 *	11/2015	Webb	E05B 47/00	D832,676 S *	11/2018	Gokcebay	D8/331
D752,946 S *	4/2016	Shen	D8/330	D832,677 S *	11/2018	Gokcebay	D8/331
D755,605 S *	5/2016	Kraus	D8/331	D835,968 S *	12/2018	Gokcebay	D8/331
9,340,998 B2 *	5/2016	Mani	E05B 47/0603	10,145,144 B1 *	12/2018	Shyu	E05B 3/00
D766,070 S *	9/2016	Ruoff	D8/343	D837,629 S *	1/2019	Cavanna	D8/331
9,435,143 B2 *	9/2016	Shen	E05B 47/0012	D837,630 S *	1/2019	Cavanna	D8/331
D779,919 S *	2/2017	Shargh	D8/330	D837,631 S *	1/2019	Han	D8/331
D779,920 S *	2/2017	Cahill	D8/330	10,208,508 B2 *	2/2019	Tien	E05B 55/005
9,574,375 B2 *	2/2017	Henderson	E05B 47/0001	10,240,365 B2 *	3/2019	Almomani	G07C 9/00309
D781,130 S *	3/2017	Shargh	D8/330	10,267,063 B2 *	4/2019	Lin	E05B 47/0657
D783,384 S *	4/2017	Shargh	D8/330	10,323,437 B2 *	6/2019	Hallett	E05B 47/00
D784,333 S *	4/2017	Hsu	D14/383	10,344,501 B2 *	7/2019	Chang	E05B 47/0603
9,631,399 B1 *	4/2017	Zhang	E05B 47/00	10,400,479 B2 *	9/2019	Kang	E05C 1/12
				D863,024 S *	10/2019	Gokcebay	D8/330
				D863,031 S *	10/2019	Gokcebay	D8/330
				10,443,264 B1 *	10/2019	Son	E05B 47/00

* cited by examiner

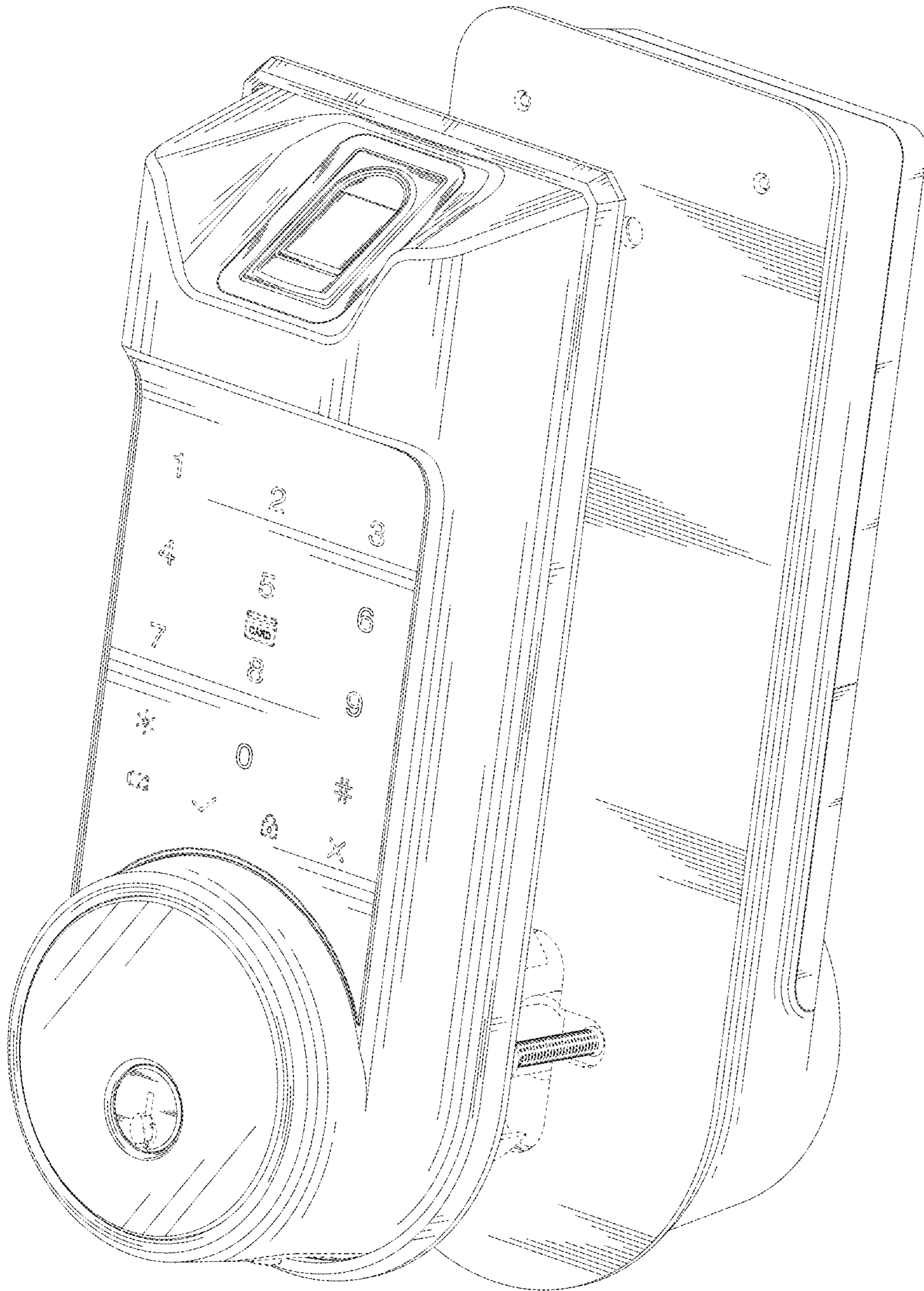


FIG. 1

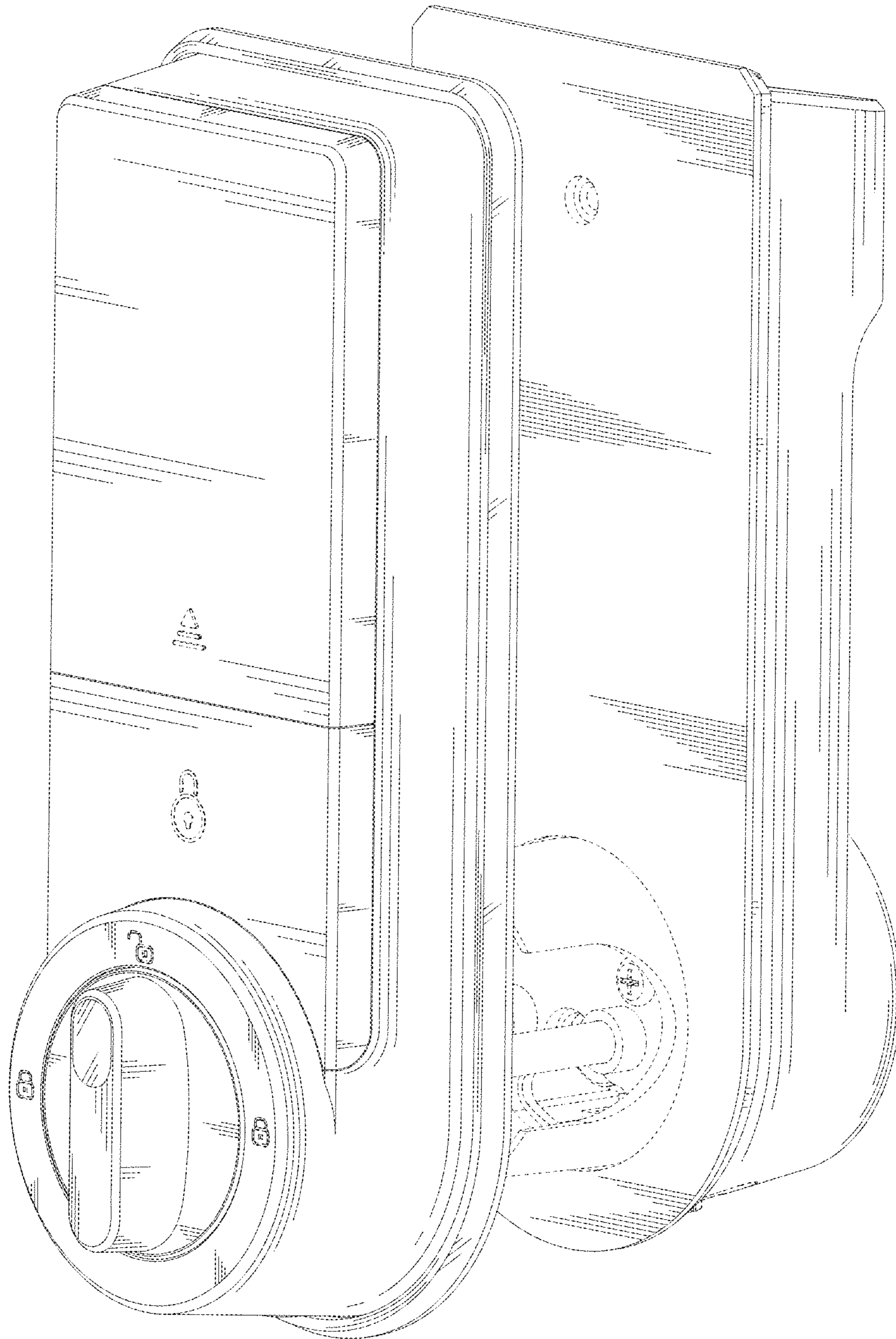


FIG. 2

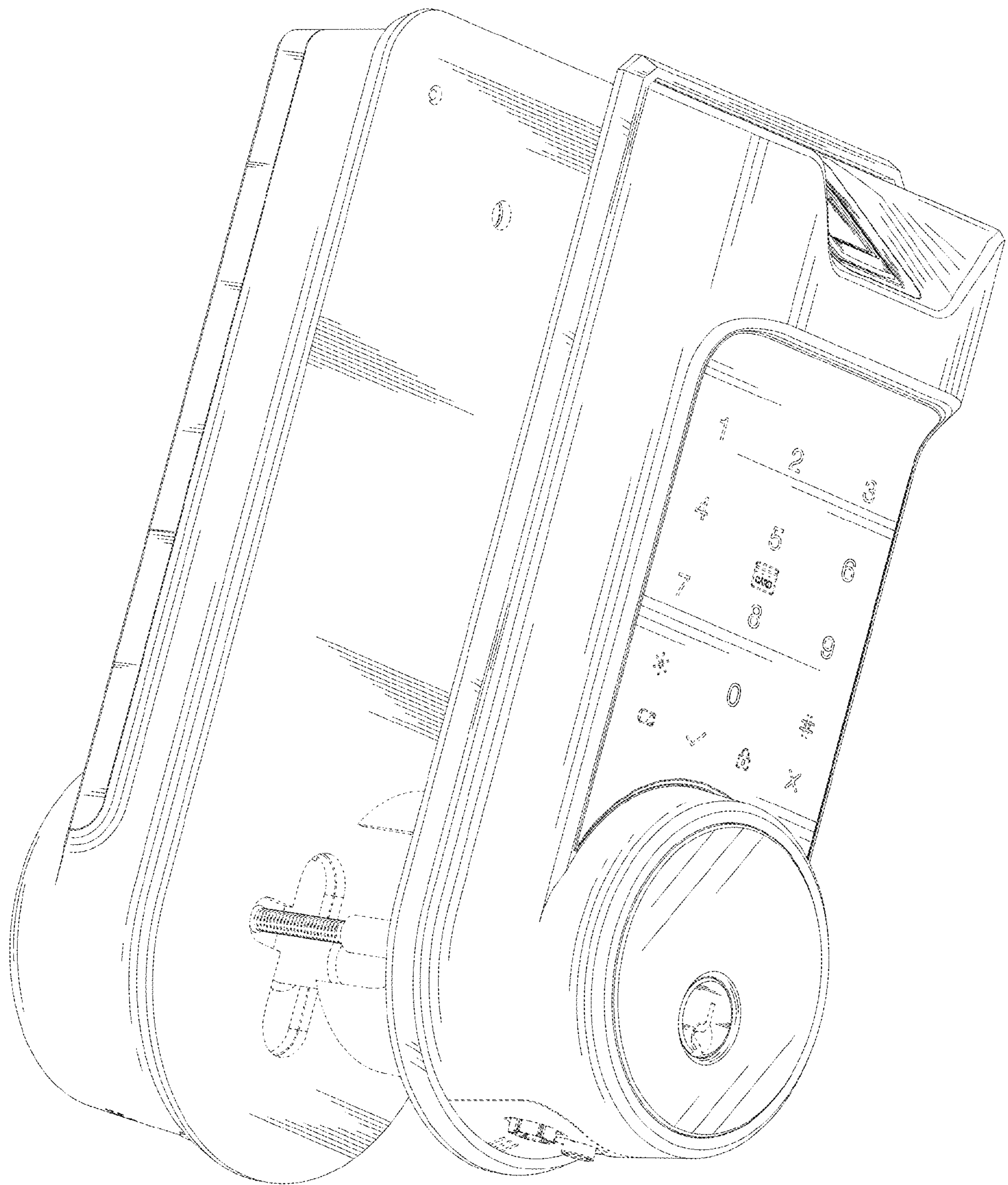


FIG. 3

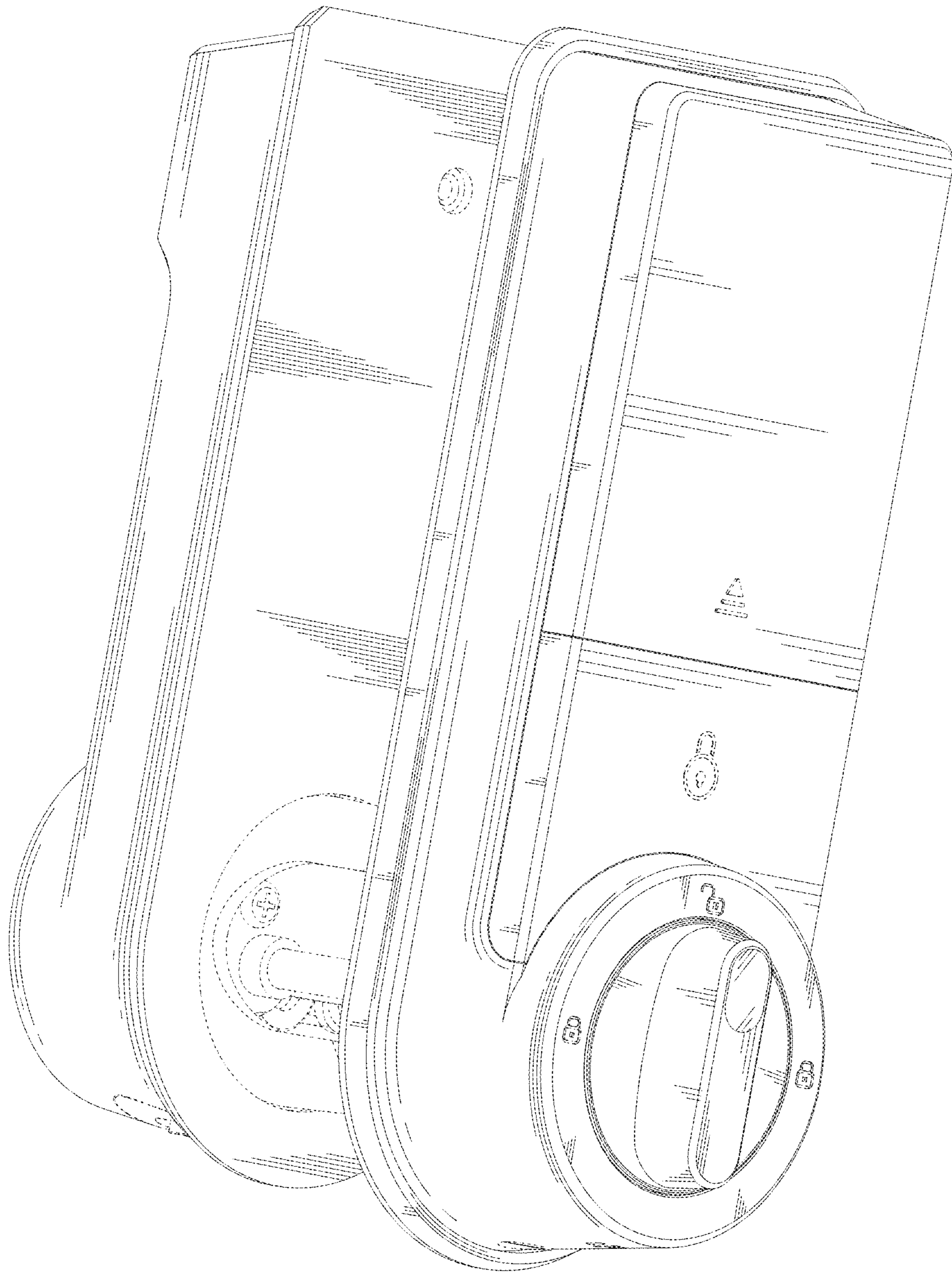


FIG. 4

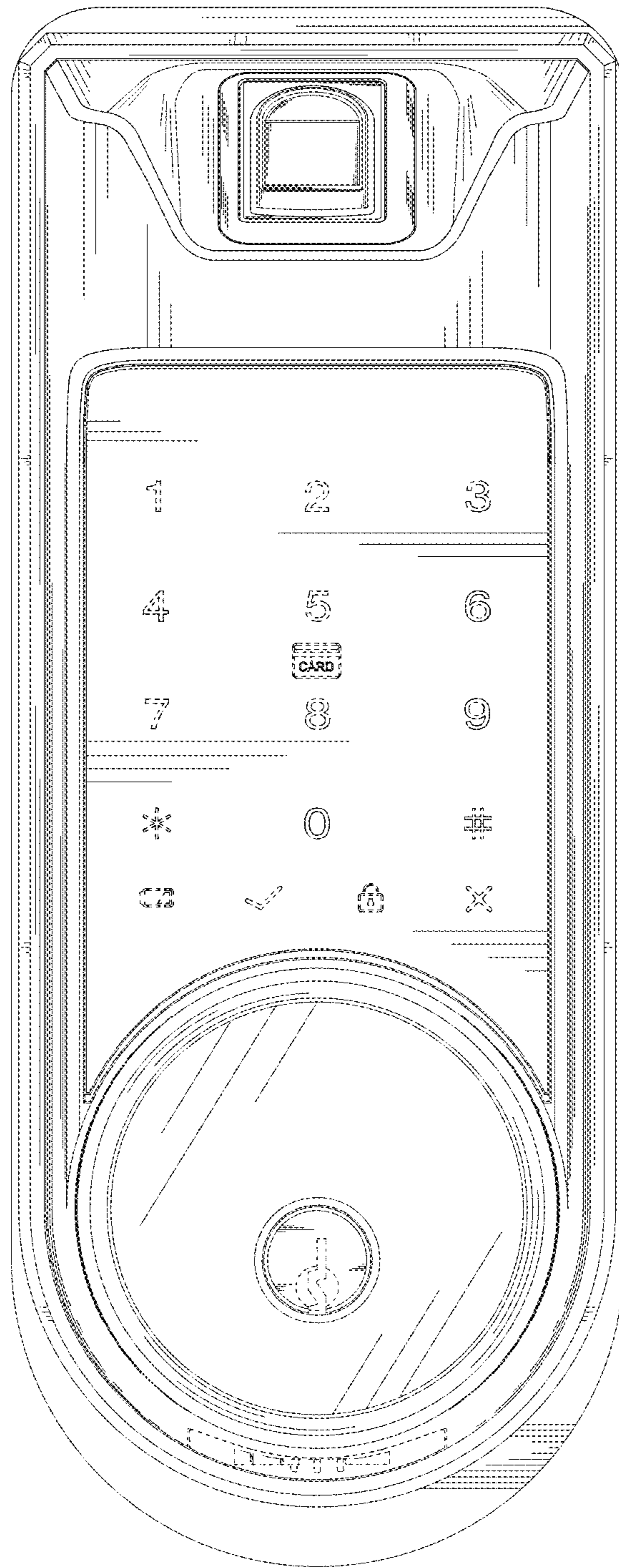


FIG. 5

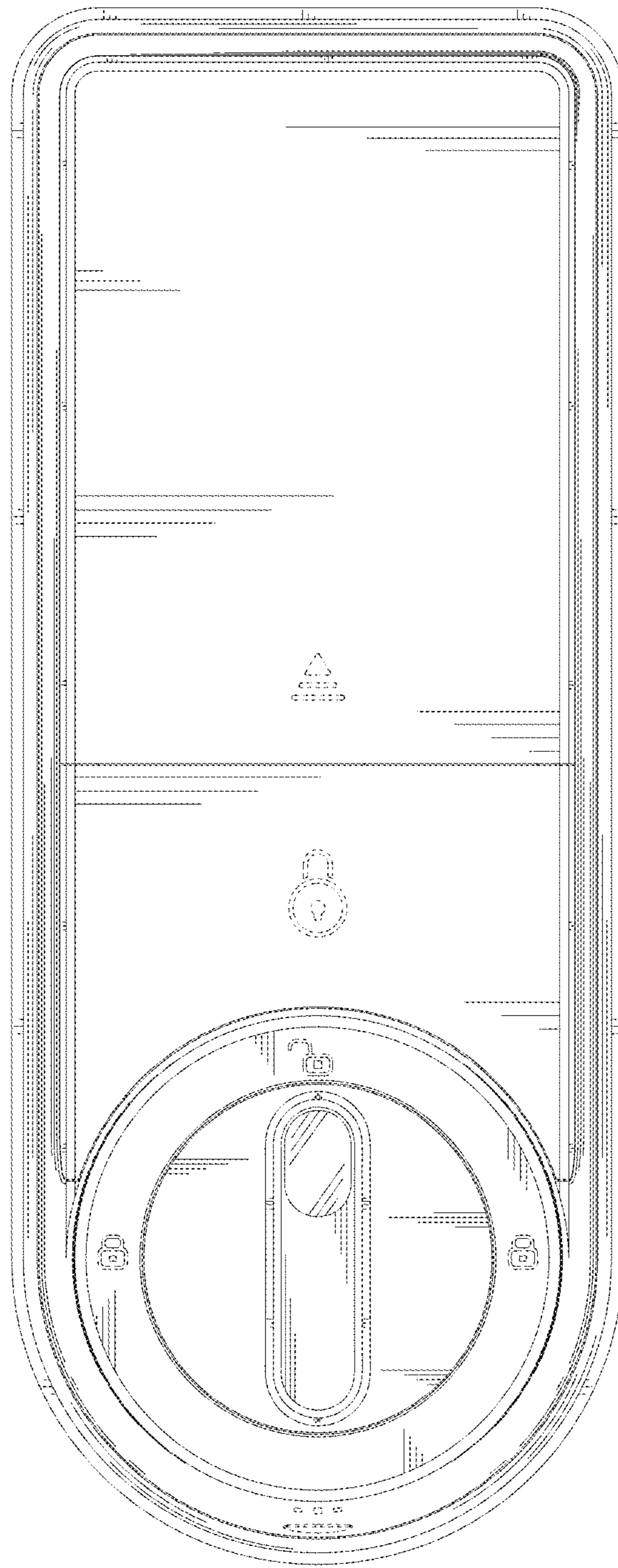


FIG. 6

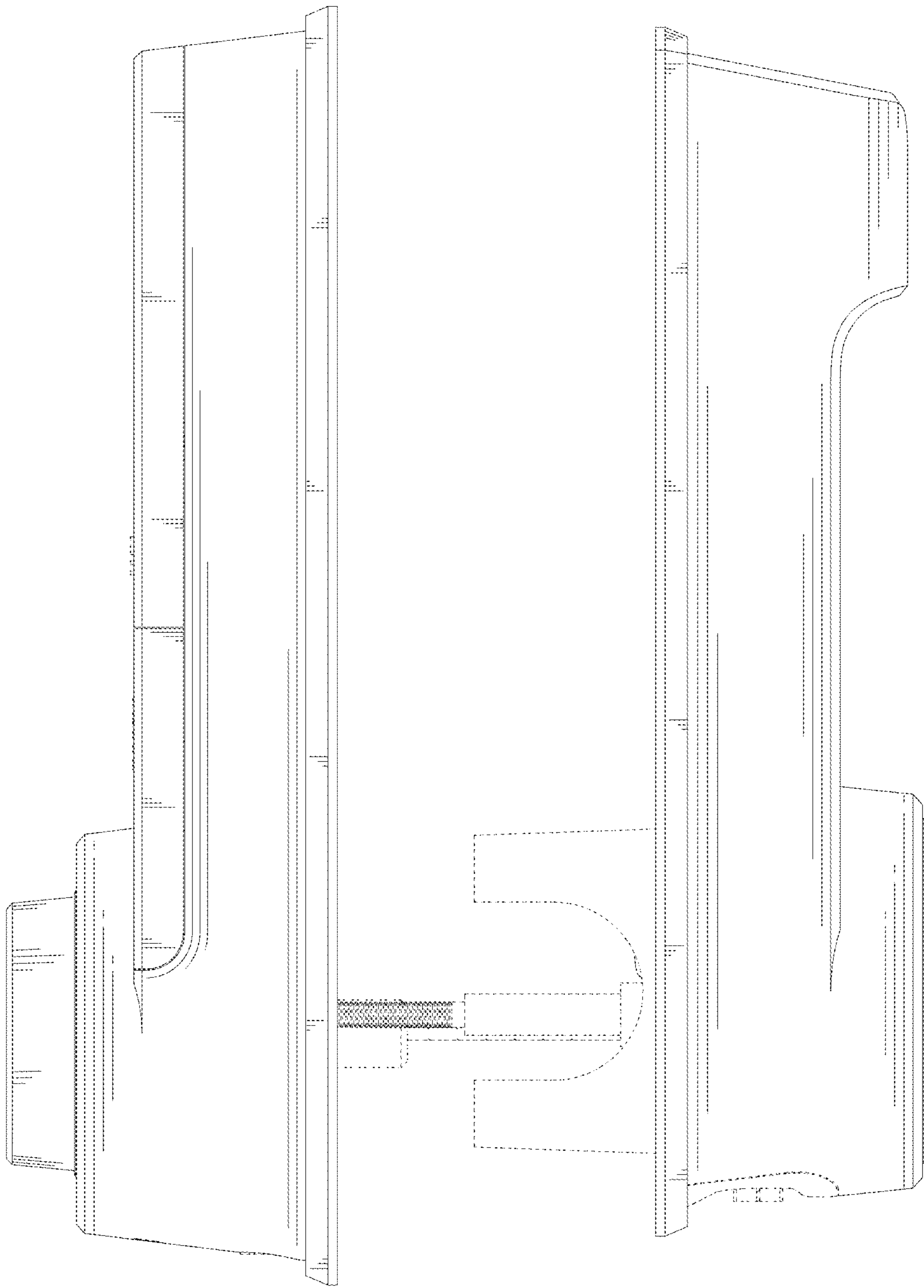


FIG. 7

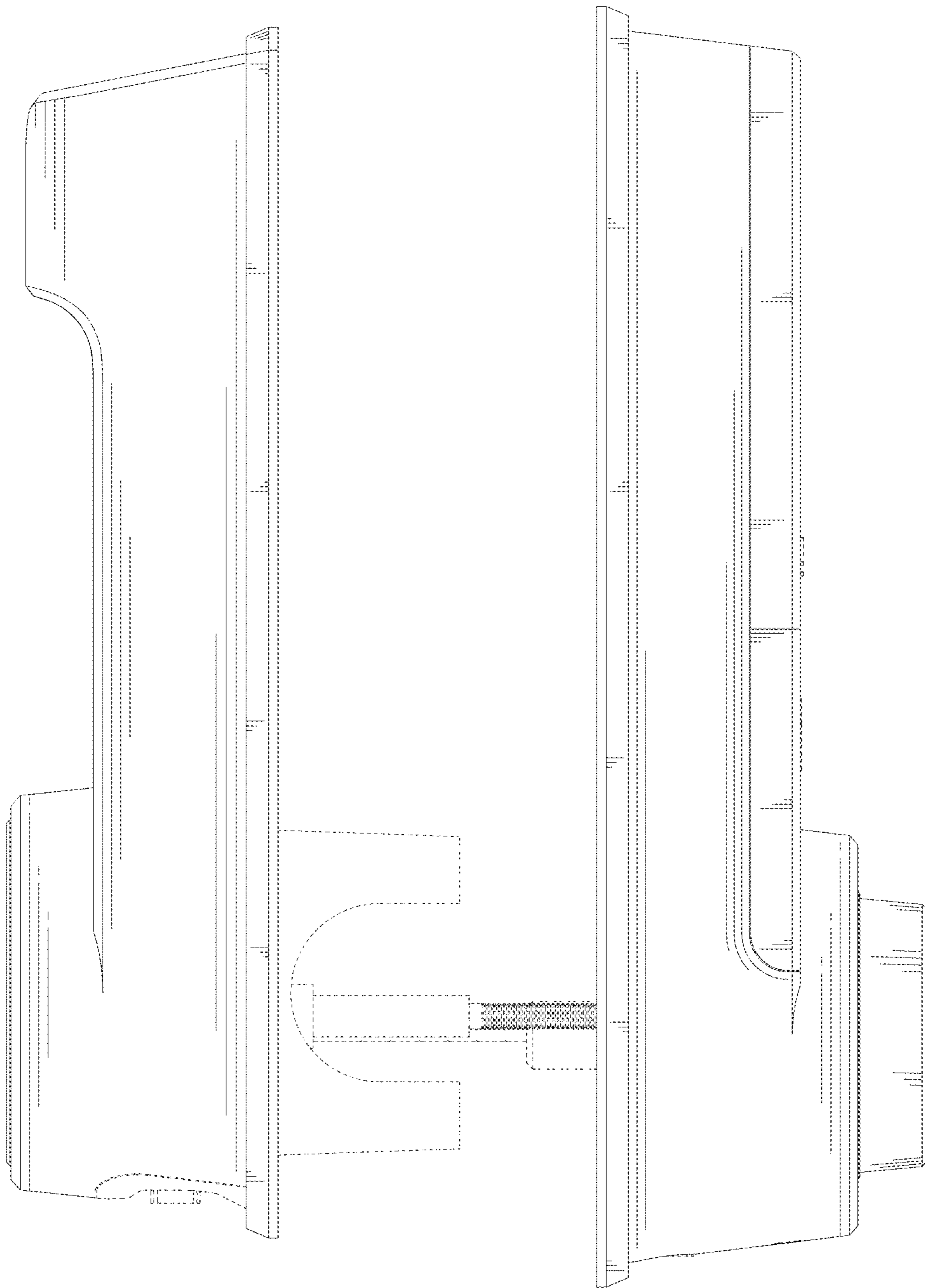


FIG. 8

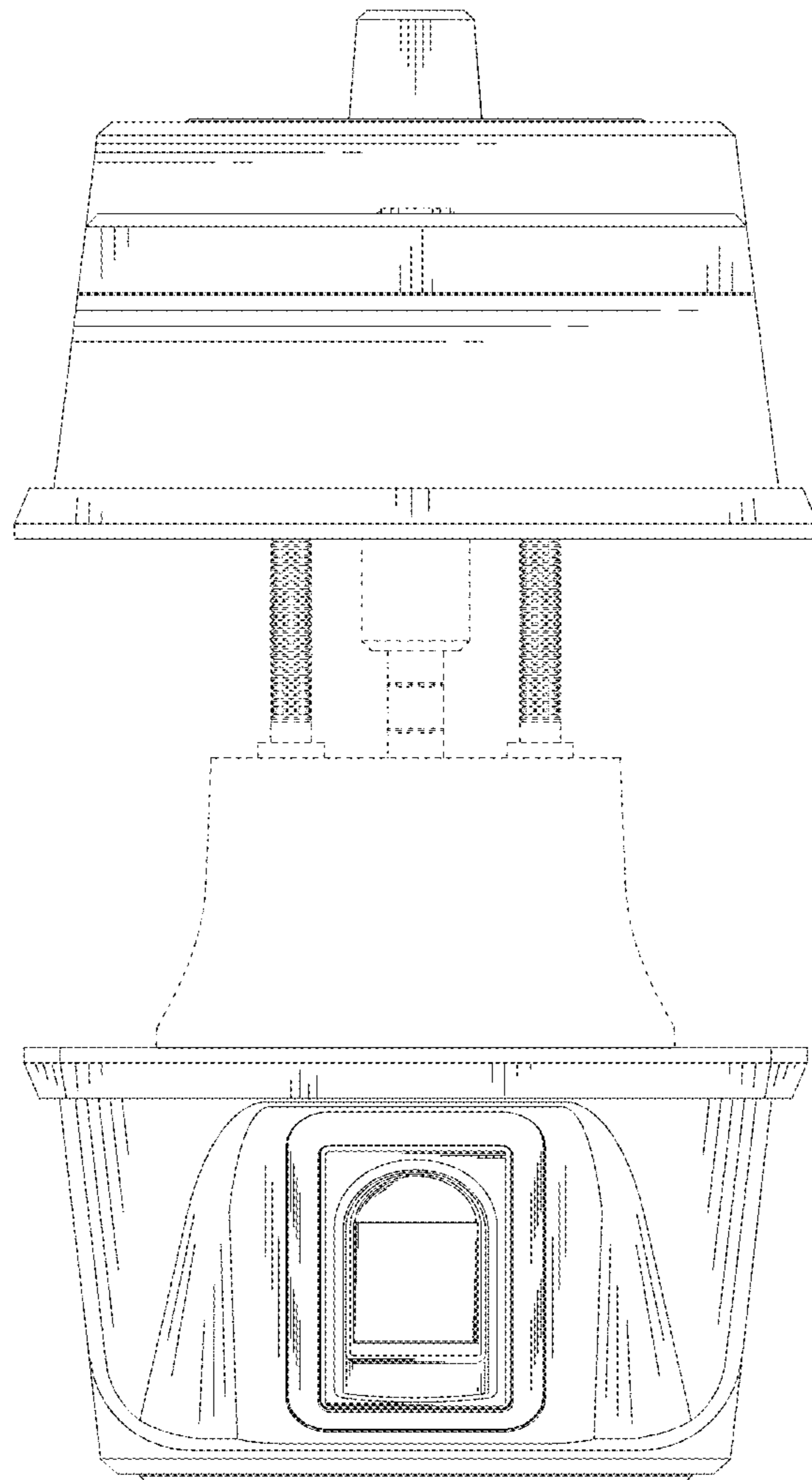


FIG. 9

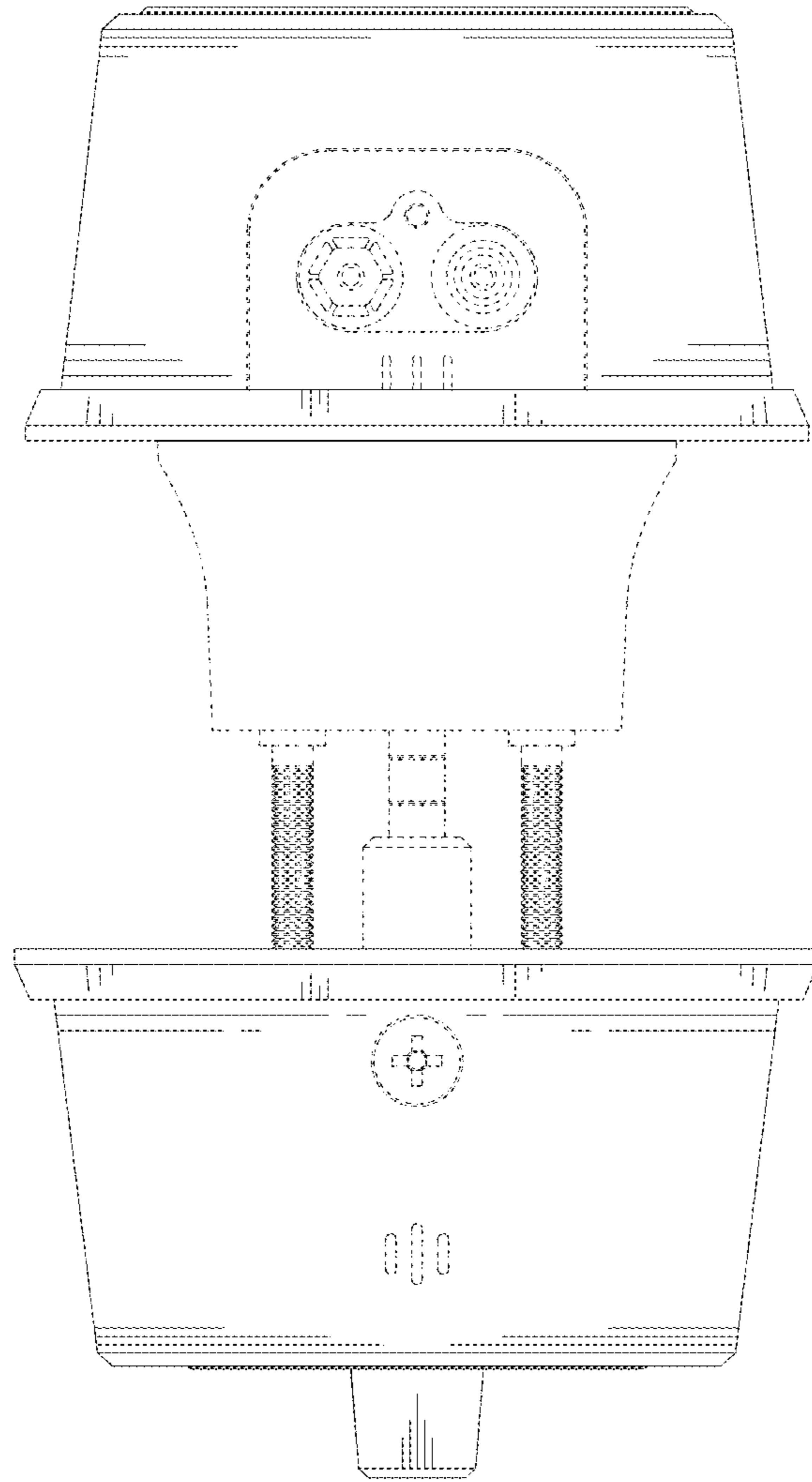


FIG. 10