



US00D906085S

(12) **United States Design Patent**  
**Griswold**

(10) **Patent No.:** **US D906,085 S**

(45) **Date of Patent:** **\*\* Dec. 29, 2020**

(54) **EXIT DEVICE WITH STATUS INDICATOR**

(71) Applicant: **ASSA ABLOY Access and Egress Hardware Group, Inc.**, New Haven, CT (US)

(72) Inventor: **Lee Griswold**, Bethel, CT (US)

(73) Assignee: **ASSA ABLOY Access and Egress Hardware Group, Inc.**, New Haven, CT (US)

(\*\*) Term: **15 Years**

(21) Appl. No.: **29/678,302**

(22) Filed: **Jan. 28, 2019**

(51) **LOC (12) Cl.** ..... **08-07**

(52) **U.S. Cl.**  
USPC ..... **D8/330**

(58) **Field of Classification Search**  
USPC ..... D8/330, 331, 332, 336, 338, 343, 346  
CPC ..... Y10T 70/5155; Y10T 70/5159; Y10T 70/5199; Y10T 70/554; Y10T 292/0908; E05B 65/10; E05B 65/1053  
See application file for complete search history.

(56) **References Cited**

**U.S. PATENT DOCUMENTS**

- 3,663,047 A \* 5/1972 Zawadzki ..... E05B 65/1053 292/92
- 3,877,262 A \* 4/1975 Williams ..... E05B 65/1073 70/92
- 4,167,280 A \* 9/1979 Godec ..... E05B 65/1053 292/21
- D261,099 S \* 10/1981 Russell ..... D8/330
- D268,003 S \* 2/1983 Ohno ..... D8/302
- D276,306 S \* 11/1984 Turner ..... D8/330
- 4,624,490 A 11/1986 Miller
- D295,254 S \* 4/1988 Matsuo ..... D8/330
- D297,806 S 9/1988 Mohn

- 4,796,931 A 1/1989 Heid
  - 4,961,330 A 10/1990 Evans
  - D318,410 S 7/1991 Mohn
  - 5,042,851 A 8/1991 Hunt
  - D331,182 S \* 11/1992 Hsien ..... D8/302
  - 5,412,961 A \* 5/1995 Cain ..... E05B 63/0065 292/92
  - 5,590,917 A \* 1/1997 Brooks ..... E05B 15/004 292/21
  - D416,779 S \* 11/1999 Trumpinski ..... D8/330
- (Continued)

**OTHER PUBLICATIONS**

U.S. Appl. No. 29/713,030, filed Nov. 13, 2019, Griswold et al.  
(Continued)

*Primary Examiner* — Steven J Czyz  
(74) *Attorney, Agent, or Firm* — Wolf, Greenfield & Sacks, P.C.

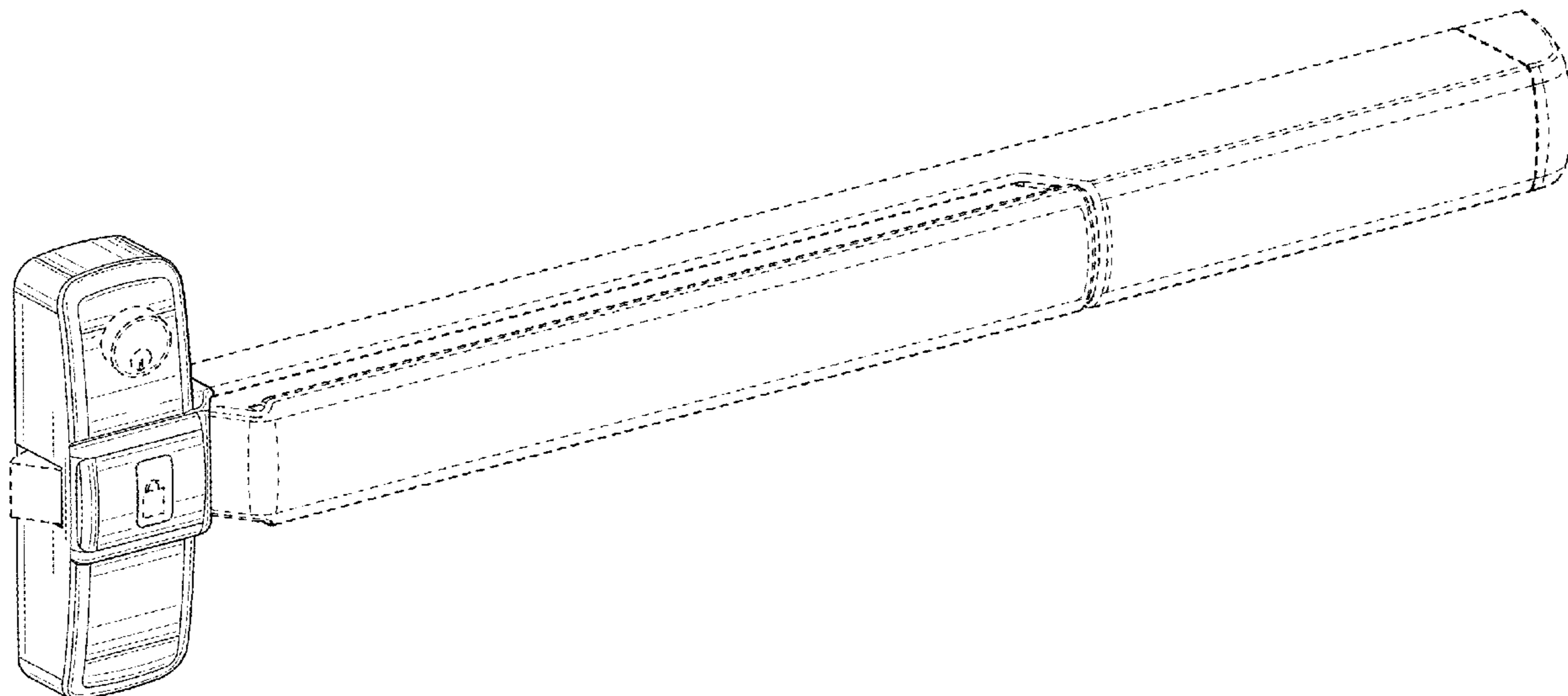
(57) **CLAIM**

The ornamental design for an exit device with status indicator, as shown and described.

**DESCRIPTION**

FIG. 1 is a top, front, left side perspective view of an exit device with status indicator;  
FIG. 2 is a top, front, right side perspective view of FIG. 1;  
FIG. 3 is a front elevation view of FIG. 1;  
FIG. 4 is a rear elevation view of FIG. 1;  
FIG. 5 is a left side elevation view of FIG. 1;  
FIG. 6 is a right side elevation view of FIG. 1;  
FIG. 7 is a top plan view of FIG. 1; and,  
FIG. 8 is a bottom plan view of FIG. 1.  
The evenly spaced broken lines depict portions of the article that form no part of the claimed design; the dash-dot-dash lines represent the boundary of the claimed design and forms no part thereof.

**1 Claim, 8 Drawing Sheets**



(56)

References Cited

U.S. PATENT DOCUMENTS

6,009,732 A \* 1/2000 Haeck ..... E05B 65/1053  
70/92  
D421,561 S \* 3/2000 Fenwick ..... D8/330  
6,032,985 A \* 3/2000 Cutter ..... E05B 63/202  
292/92  
D422,195 S \* 4/2000 Tonozzi ..... D8/330  
D424,404 S \* 5/2000 Jensen ..... D8/330  
D428,793 S \* 8/2000 Bruno ..... D8/330  
D438,088 S \* 2/2001 Tomlinson ..... D8/330  
D439,131 S \* 3/2001 Bruno ..... D8/330  
6,205,825 B1 3/2001 Haeck et al.  
6,532,777 B2 3/2003 Haeck et al.  
D484,389 S \* 12/2003 Evans ..... D8/331  
6,779,819 B2 8/2004 Surko, Jr.  
6,820,905 B1 \* 11/2004 Haeck ..... E05B 65/1013  
292/223  
D507,472 S \* 7/2005 Arnold ..... D8/331  
D526,557 S \* 8/2006 Falconer ..... D8/346  
7,204,050 B2 \* 4/2007 Molokotos ..... G09F 13/04  
292/93  
D541,633 S \* 5/2007 Austin ..... D8/346  
D542,626 S \* 5/2007 Toloday ..... D8/346  
D578,860 S \* 10/2008 James ..... D8/302  
7,469,942 B2 \* 12/2008 Whitaker ..... E05B 65/108  
292/92  
7,484,777 B2 \* 2/2009 Condo ..... E05B 65/1053  
292/92  
7,528,700 B2 \* 5/2009 Picard ..... G08B 7/062  
340/286.05  
7,536,885 B1 \* 5/2009 Ross ..... E05B 65/1073  
292/251.5  
D604,585 S \* 11/2009 Veltz ..... D8/302  
D623,499 S \* 9/2010 Tien ..... D8/346  
7,832,777 B2 \* 11/2010 Banks ..... E05B 57/00  
292/92  
7,832,778 B2 11/2010 Whitaker et al.  
7,905,522 B1 \* 3/2011 Picard ..... E05B 51/023  
292/92  
D647,781 S \* 11/2011 Tejszerski ..... D8/330  
8,070,192 B2 \* 12/2011 Tien ..... E05B 65/1053  
292/92  
D656,386 S \* 3/2012 Shen ..... D8/346  
8,146,961 B2 \* 4/2012 Schacht ..... E05B 65/1053  
292/92

8,156,671 B2 \* 4/2012 Presley ..... G09F 13/20  
40/542  
8,201,857 B2 \* 6/2012 Tien ..... E05B 63/0056  
292/92  
8,267,441 B2 \* 9/2012 Lin ..... E05B 53/00  
292/92  
D669,333 S \* 10/2012 Tien ..... D8/330  
D669,334 S \* 10/2012 Tien ..... D8/330  
D669,335 S \* 10/2012 Tien ..... D8/330  
D669,336 S \* 10/2012 Tien ..... D8/330  
D669,337 S \* 10/2012 Tien ..... D8/330  
D669,338 S \* 10/2012 Tien ..... D8/330  
8,495,836 B2 \* 7/2013 Lowder ..... E05B 65/108  
49/394  
8,978,305 B2 \* 3/2015 Morstatt ..... E05B 47/026  
49/394  
D739,707 S \* 9/2015 Noel ..... D8/346  
D760,059 S \* 6/2016 Nishida Watson ..... D8/330  
9,376,835 B2 6/2016 Schildwachter et al.  
9,428,924 B2 8/2016 Harris et al.  
D772,051 S \* 11/2016 Martin ..... D8/400  
D790,950 S \* 7/2017 Kraus ..... D8/331  
D803,027 S \* 11/2017 Huang ..... D8/331  
9,816,291 B2 \* 11/2017 Wong ..... E05B 65/1053  
9,878,305 B2 1/2018 Hossain et al.  
9,945,158 B2 \* 4/2018 Lehner, Jr. .... E05B 41/00  
D867,103 S \* 11/2019 Griswold ..... D8/315  
D867,851 S \* 11/2019 Griswold ..... D8/315  
10,597,910 B2 \* 3/2020 Chen ..... E05B 85/02  
D891,220 S \* 7/2020 Griswold ..... D8/315  
10,745,942 B2 \* 8/2020 Lehner, Jr. .... E05B 65/1046

OTHER PUBLICATIONS

U.S. Appl. No. 29/713,034, filed Nov. 13, 2019, Griswold et al.  
[No Author Listed] Classroom Security Systems. Sargent Assa  
Abloy. <https://content.assaabloyusa.com/doc/AADSS1065368>. Pub-  
licly available at least as early as Jan. 2019; last accessed Jul. 19,  
2019, 6 pages.  
[No Author Listed] Exit Device—Sargent Assa Abloy DSS—  
Facility Management Product Release. FacilitiesNet. [https://www.  
facilitiesnet.com/buildingproducts/details/Exit-Device-Sargent-Assa-  
Abloy-Dss-Sargent-Assa-Abloy-Dss-8148](https://www.facilitiesnet.com/buildingproducts/details/Exit-Device-Sargent-Assa-Abloy-Dss-Sargent-Assa-Abloy-Dss-8148). Posted Aug. 3, 2015, 2  
pages.  
U.S. Appl. No. 29/643,446, filed Apr. 9, 2018, Griswold et al.  
U.S. Appl. No. 29/643,446, filed Jan. 28, 2019, Griswold.

\* cited by examiner

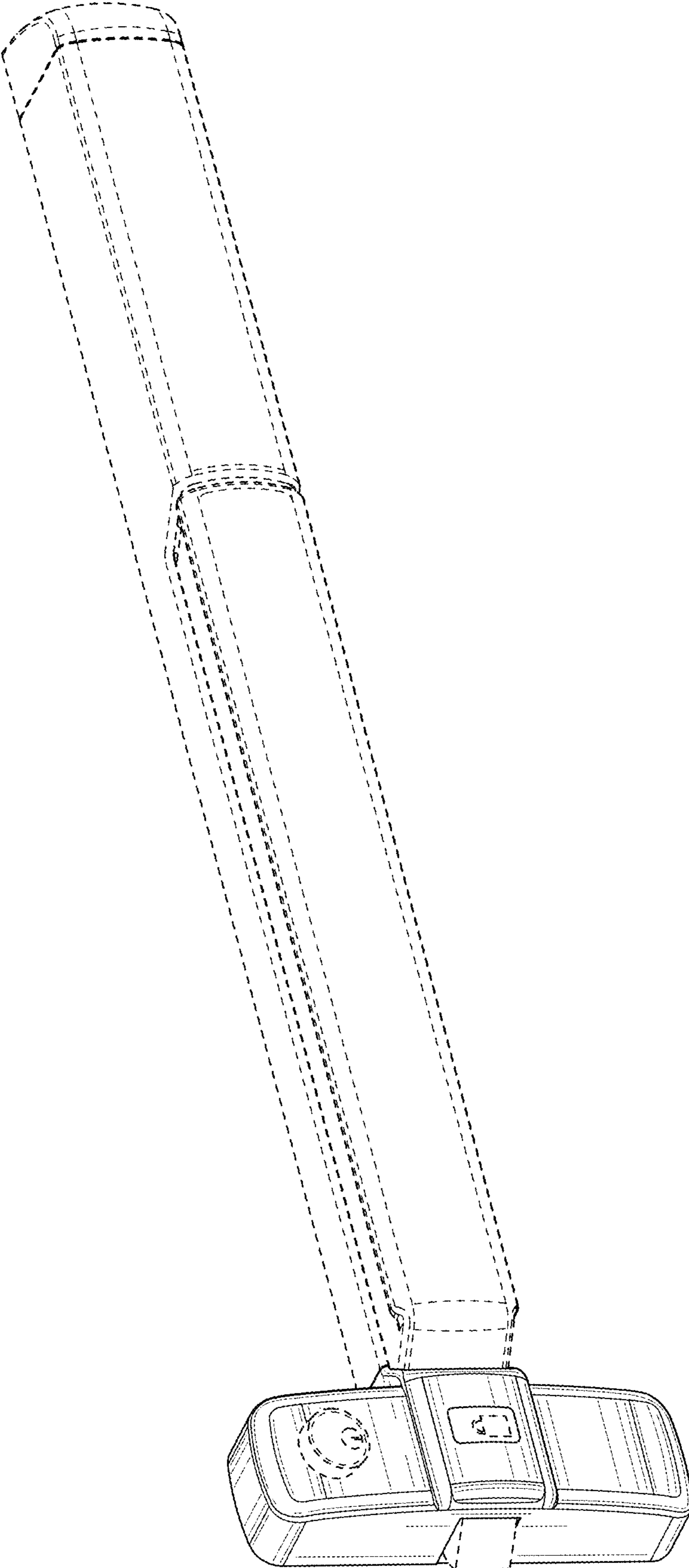


FIG. 1

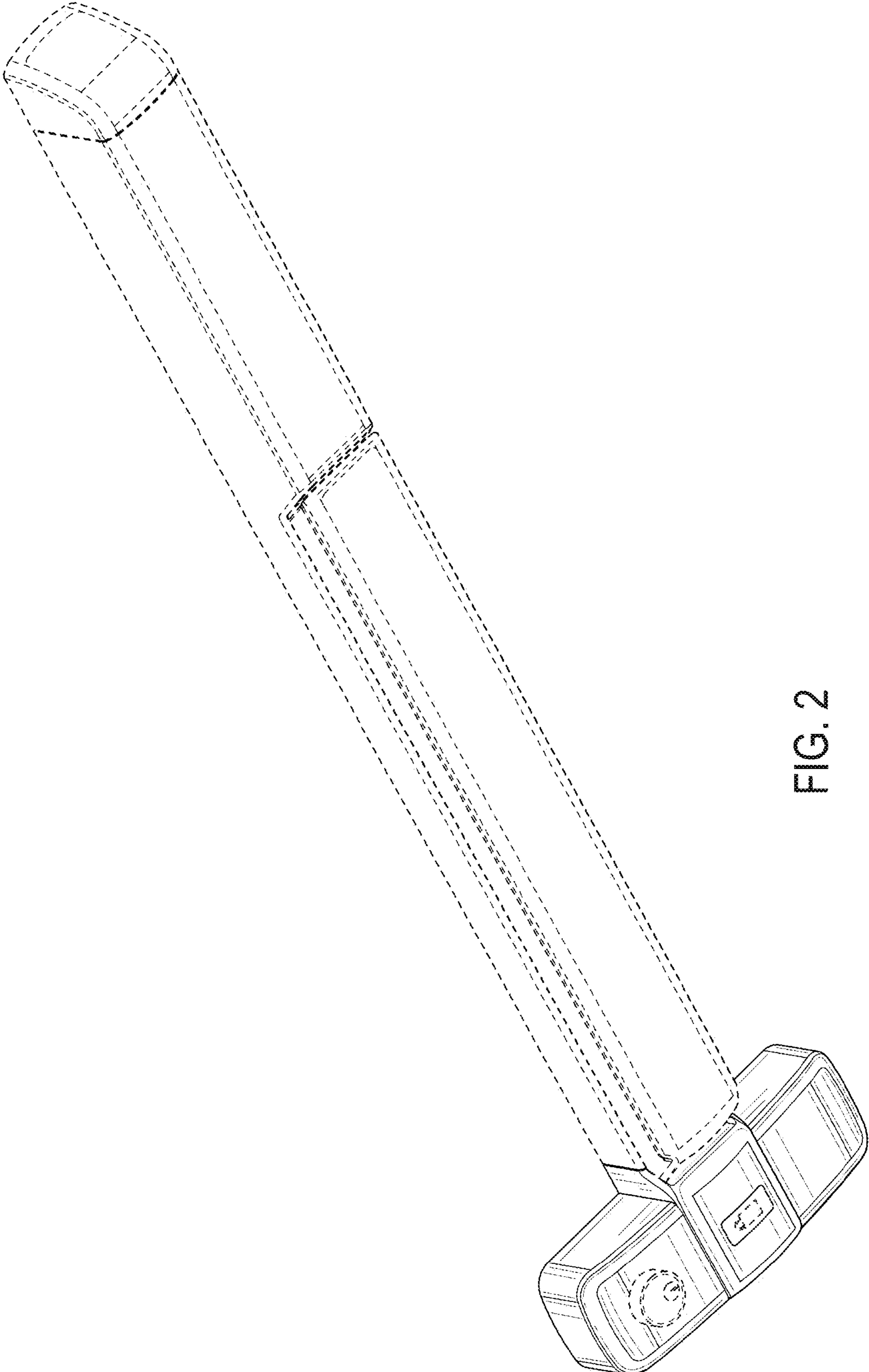


FIG. 2

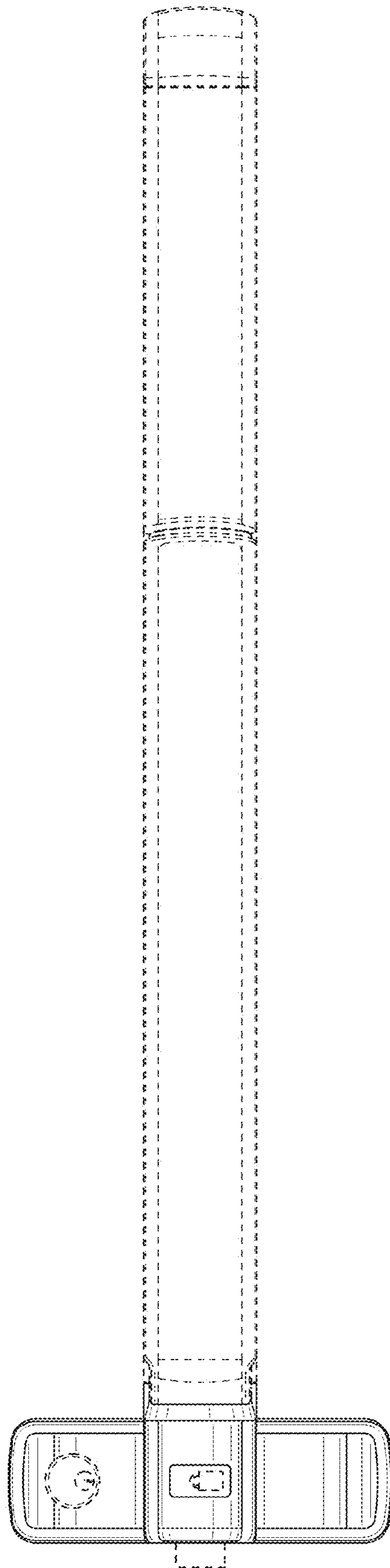


FIG. 3

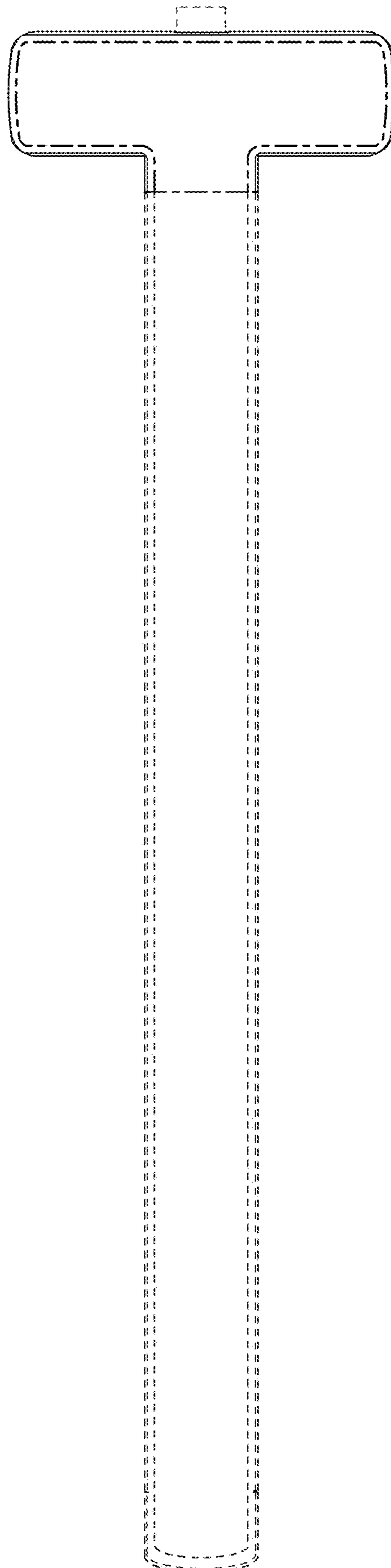


FIG. 4

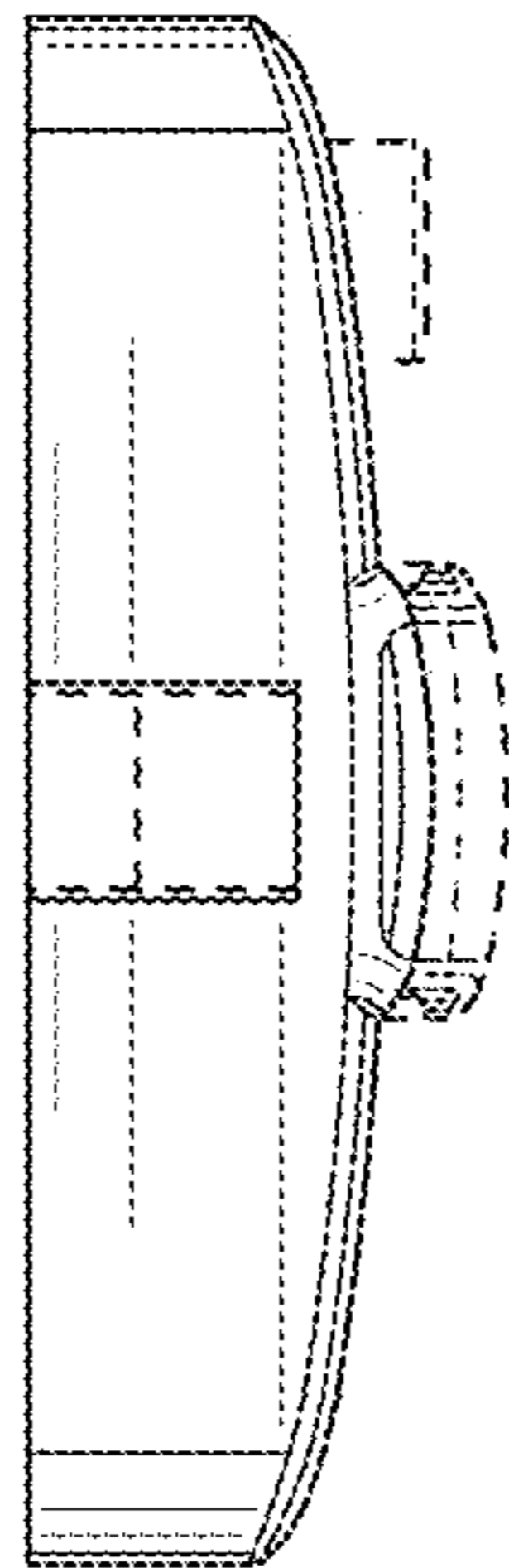


FIG. 5

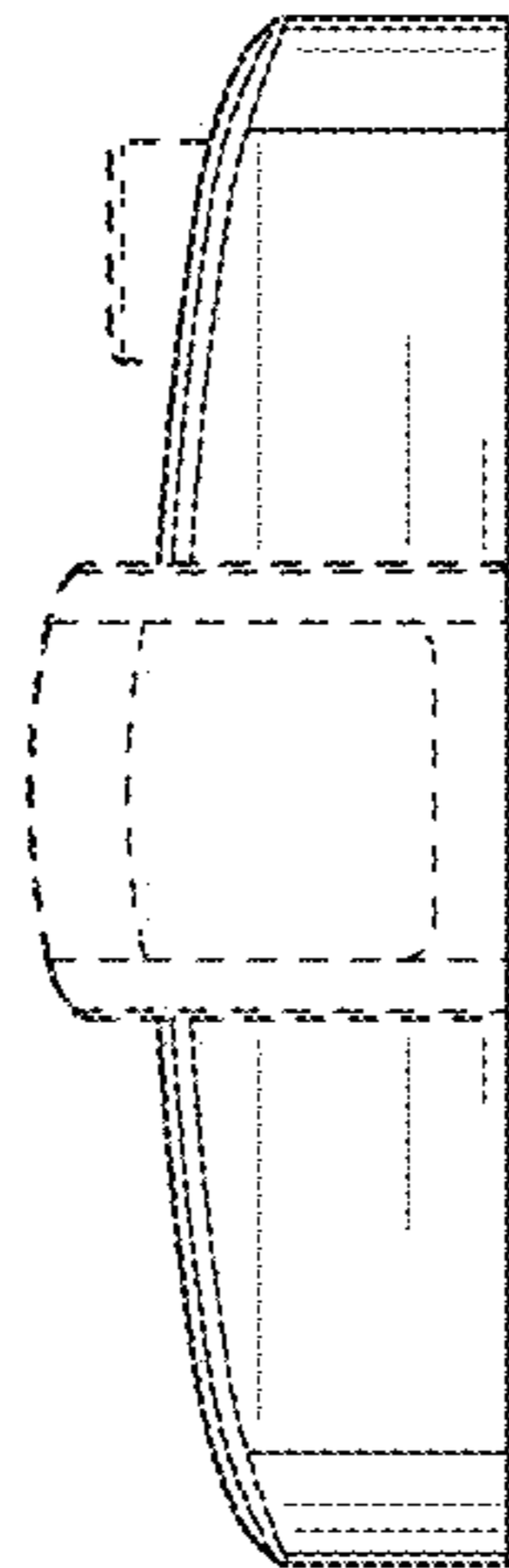


FIG. 6



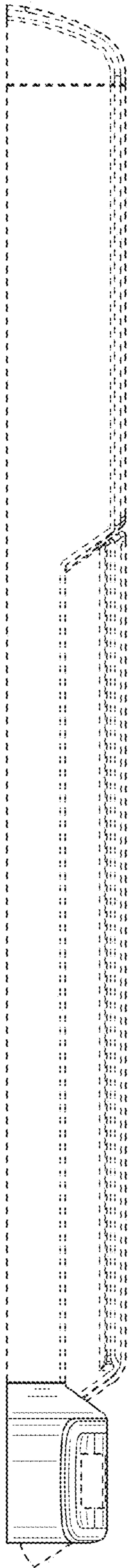


FIG. 7

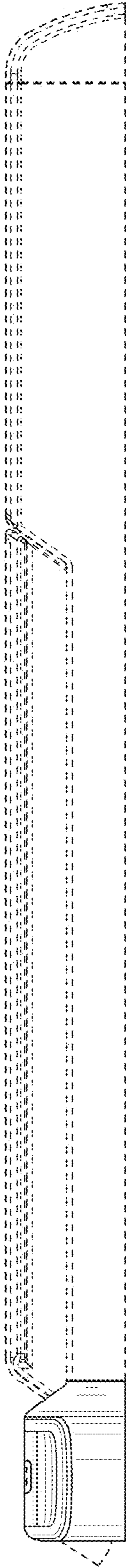


FIG. 8