



US00D906082S

(12) **United States Design Patent** (10) **Patent No.:** **US D906,082 S**  
**Bettencourt et al.** (45) **Date of Patent:** **\*\* Dec. 29, 2020**

(54) **COMBINED EXIT DEVICE AND DOOR**

D229,551 S \* 12/1973 Horgan ..... D25/48.3  
4,225,163 A 9/1980 Hubbard et al.  
4,272,923 A 6/1981 Anderson

(71) Applicant: **ASSA ABLOY Accessories and Door Controls Group, Inc.**, Monroe, NC (US)

(Continued)

**FOREIGN PATENT DOCUMENTS**

(72) Inventors: **Luis Bettencourt**, New Haven, CT (US); **Michael Connell**, Rockwood, PA (US); **Doug Thompson**, Rockwood, PA (US)

CN 302728949 S 2/2014  
CN 302847061 S 6/2014

(Continued)

(73) Assignee: **ASSA ABLOY Accessories and Door Controls Group, Inc.**, Monroe, NC (US)

**OTHER PUBLICATIONS**

Rockwood Manufacturing Company, Taiwan Patent Application No. 106304514, Notice of Allowance, dated Nov. 20, 2017.

(Continued)

(\*\*) Term: **15 Years**

*Primary Examiner* — Janice Hallmark  
*Assistant Examiner* — Harold E Blackwell, II  
(74) *Attorney, Agent, or Firm* — Moore & Van Allen PLLC; Jeffrey R. Gray

(21) Appl. No.: **29/717,368**

(22) Filed: **Dec. 17, 2019**

(57) **CLAIM**

The ornamental design for a combined exit device and door, as shown and described.

**Related U.S. Application Data**

(62) Division of application No. 29/562,080, filed on Apr. 22, 2016, now abandoned.

(51) **LOC (12) Cl.** ..... **08-06**

(52) **U.S. Cl.**  
USPC ..... **D8/315**

(58) **Field of Classification Search**  
USPC ..... D8/300, 315-319, 326, 331, 138, 149;  
D25/3, 48, 48.3  
CPC ..... E05B 1/0015; E05B 65/0025; Y10T  
292/0908  
See application file for complete search history.

**DESCRIPTION**

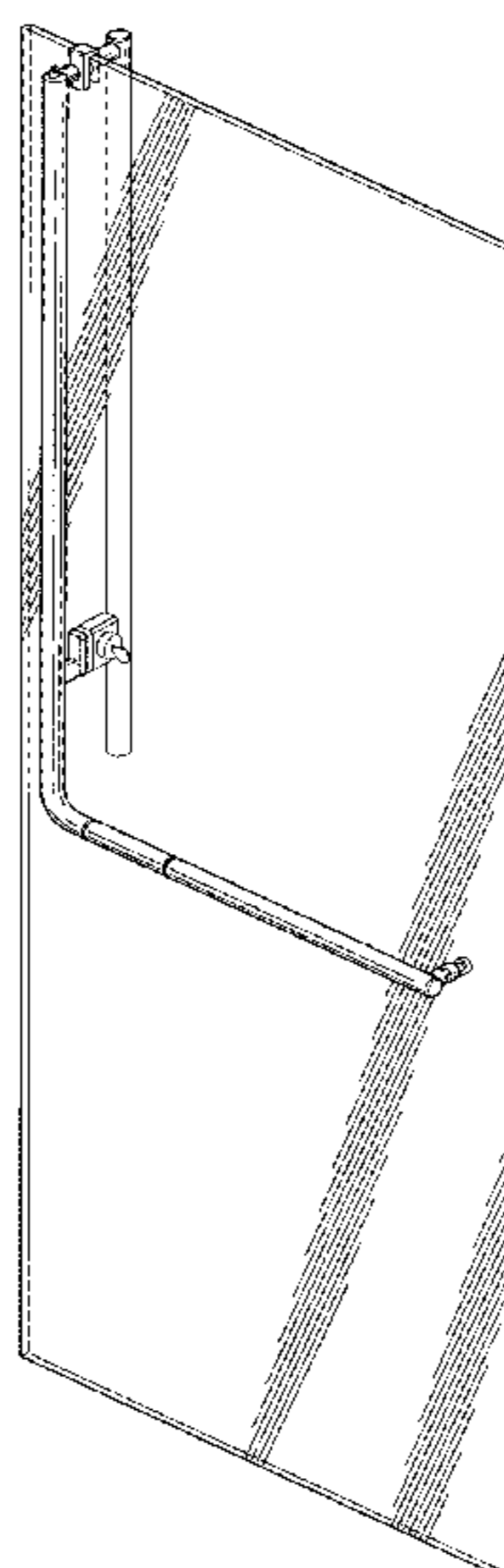
FIG. 1 is a front perspective view of a combined exit device and door showing my new design.  
FIG. 2 is a front elevation view of the combined exit device and door as shown in FIG. 1.  
FIG. 3 is a rear elevation view of the combined exit device and door as shown in FIG. 1.  
FIG. 4 is a right side elevation view of the combined exit device and door as shown in FIG. 1.  
FIG. 5 is a left side elevation view of the combined exit device and door as shown in FIG. 1.  
FIG. 6 is a top plan view of the combined exit device and door as shown in FIG. 1; and,  
FIG. 7 is a bottom plan view of the combined exit device and door as shown in FIG. 1.

(56) **References Cited**

**U.S. PATENT DOCUMENTS**

1,145,471 A 7/1915 Dobrick  
D223,902 S 6/1972 Kunlansky  
D226,556 S \* 3/1973 Horgan ..... D25/48.3  
D226,654 S \* 4/1973 Horgan ..... D25/48.3

**1 Claim, 5 Drawing Sheets**



(56)

References Cited

U.S. PATENT DOCUMENTS

D267,274	S	12/1982	Horgan	
D267,275	S	12/1982	Horgan	
D267,276	S	12/1982	Horgan	
4,366,974	A	1/1983	Horgan	
4,382,620	A	5/1983	Horgan	
4,418,949	A	12/1983	Horgan	
4,506,922	A	3/1985	Horgan	
4,671,016	A	* 6/1987	Boeckx	..... E06B 3/5454 49/501
4,711,480	A	12/1987	Horgan	
RE32,774	E	11/1988	Duff	
4,895,399	A	1/1990	Horgan	
D332,905	S	2/1993	Dannenberg	
D377,596	S	1/1997	Simon et al.	
5,615,918	A	4/1997	Ferrell	
D384,569	S	10/1997	Simon et al.	
6,152,636	A	11/2000	Nass	
D444,241	S	6/2001	Horgan	
6,463,628	B1	10/2002	Yeh	
6,511,104	B1	1/2003	Horgan, Jr.	
6,639,760	B2	10/2003	Dyer et al.	
7,347,461	B2	3/2008	Sprague	
7,849,718	B2	12/2010	Ambrass	
8,702,762	B2	4/2014	Jacene et al.	
8,944,414	B2	2/2015	Sprague	
D725,457	S	3/2015	Sprague	
9,074,413	B1	7/2015	Sprague	
D779,304	S	2/2017	Hardy	
D863,934	S	* 10/2019	Sprague	..... D8/315
2005/0060844	A1	3/2005	Chiang	
2013/0305490	A1	11/2013	Sprague	
2017/0218662	A1	8/2017	Thompson et al.	
2017/0365114	A1	12/2017	Bettencourt et al.	

FOREIGN PATENT DOCUMENTS

DE	102010015720	10/2011
EM	000490198-0006	4/2006

EM	000490198-0009	4/2006
EM	000490198-0013	4/2006
EP	1269888 A1	1/2003
EP	2284338 A1	2/2011
KR	20020034405	5/2002
TW	431801	4/2001

OTHER PUBLICATIONS

Rockwood Manufacturing Company, Korean Design Patent Application No. 30-2016-0050580, Notice of Decision of Refusal, dated Aug. 25, 2017.

Rockwood Manufacturing Company, Korean Design Patent Application No. 30-2016-0050596, Office Action, dated Mar. 9, 2017.

Rockwood Manufacturing Company, Korean Design Patent Application No. 30-2016-0050599, Office Action, dated Mar. 9, 2017.

Rockwood Manufacturing Company, South Korean Design Patent Application No. 30-2016-0050580, Office Action, dated Apr. 21, 2017.

Rockwood Manufacturing Company, Taiwanese Design Patent Application No. 105306371, Office Action, dated May 5, 2017.

Rockwood Manufacturing Company, Canadian Design Patent Application No. 171133, Office Action, dated Feb. 23, 2017.

Rockwood Manufacturing Company, Korean Design Patent Application No. 30-2016-0050590, Office Action, dated Feb. 28, 2017.

C.R. Laurence Co. Inc. US Aluminum, Door Manual: All Glass Door with CRL Panic Handle, PAIOOF Series, 2003, pp. 1-22.

C.R. Laurence, CRL Access Control Handles for "All-Glass" Doors. doorware.com, Alarm Rim Device, DETEX V40EB62836. starhardwaresupply.com, Jackson Model 3185 Mid-Panel Concealed Vertical Rod Exit Device with Top Latch Push Engraved on Push Pad Aluminum Finish Left Hand Reverse Bevel Discount.

PRL Glass Systems, PL-100 Panic Handle Configurations.

PRL Glass Systems, Door Manual, PL100 Panic Handle, PL100-A Series, pp. 1-22.

\* cited by examiner

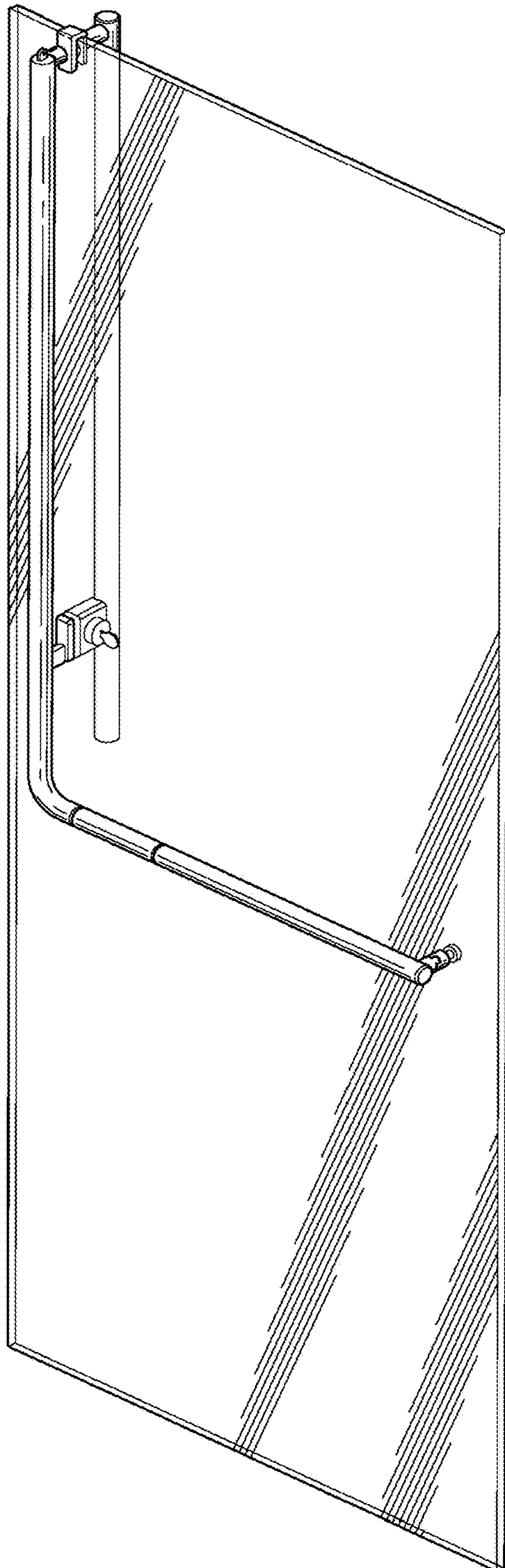
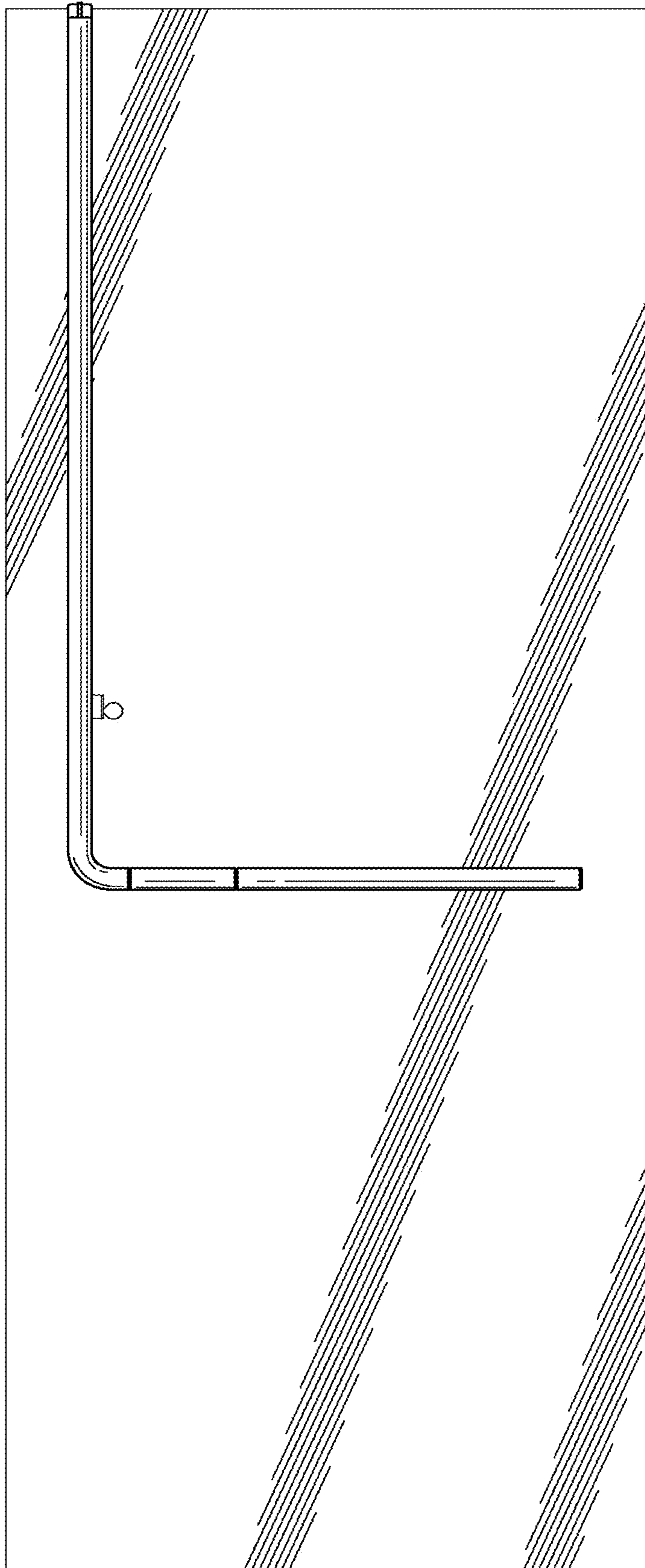
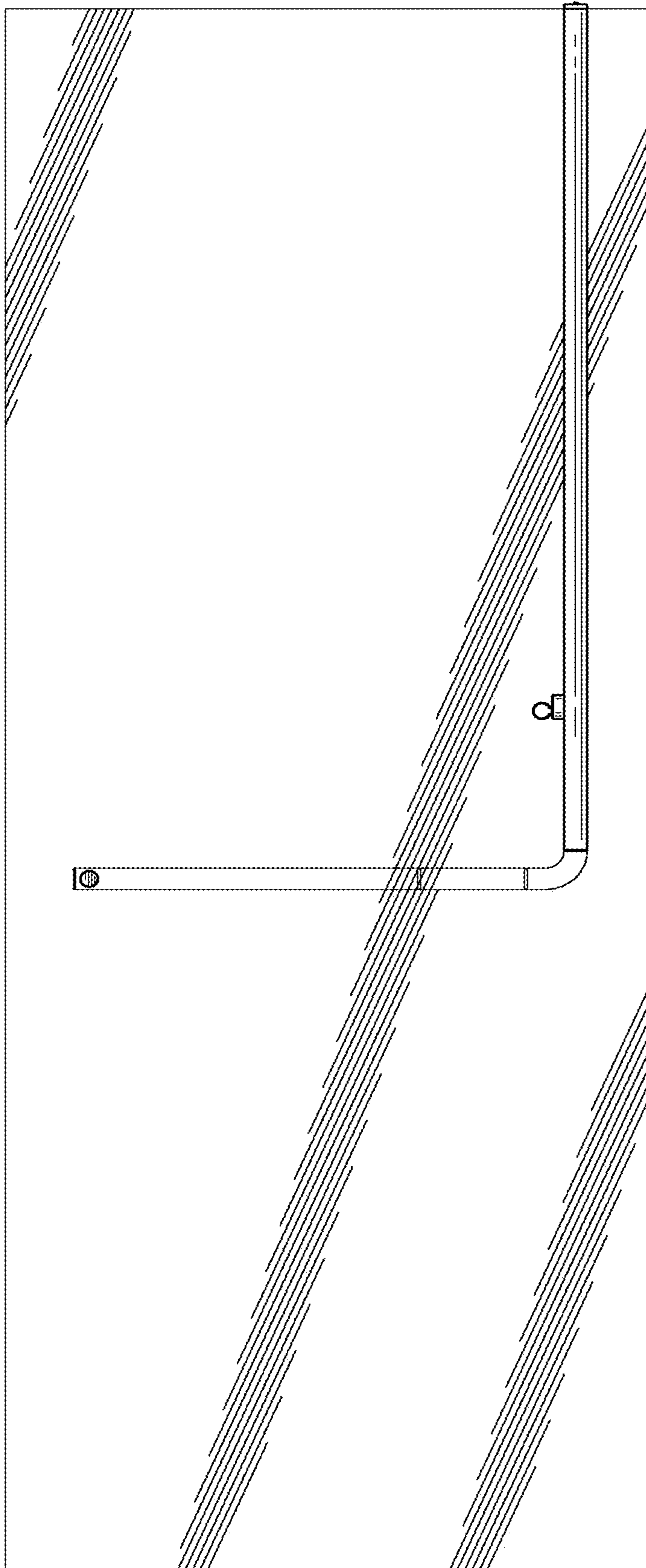


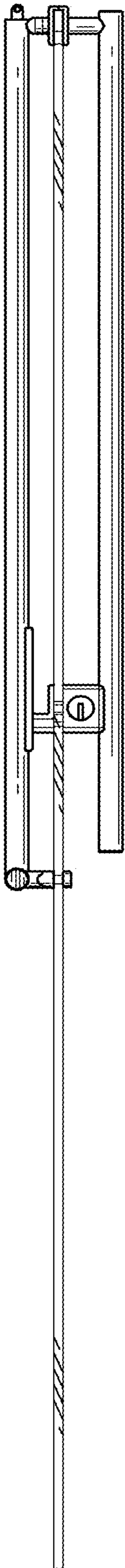
FIG. 1



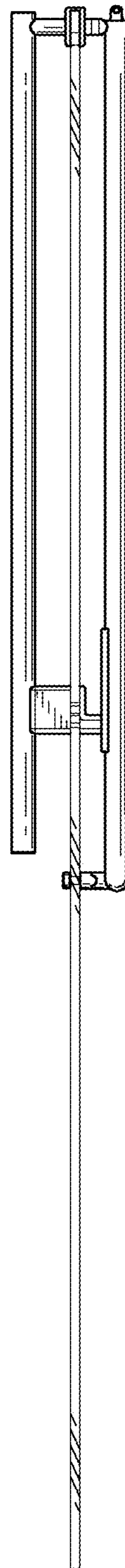
**FIG. 2**



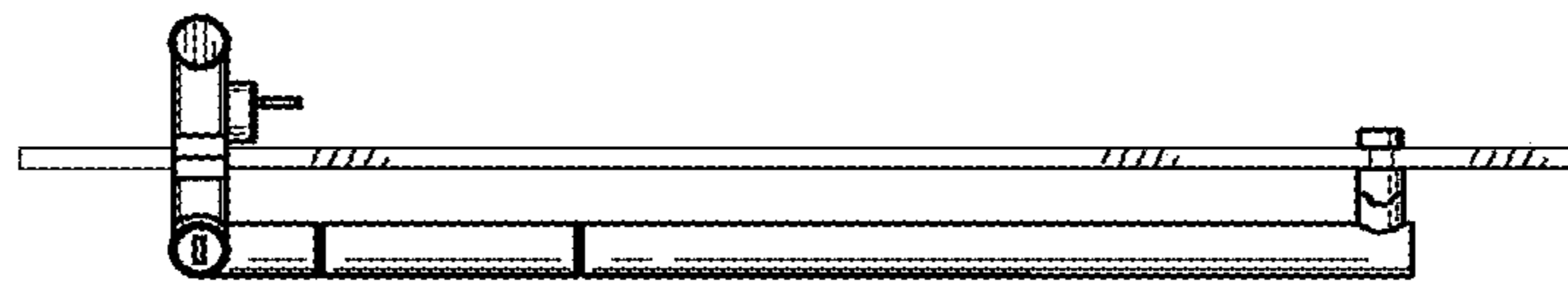
**FIG. 3**



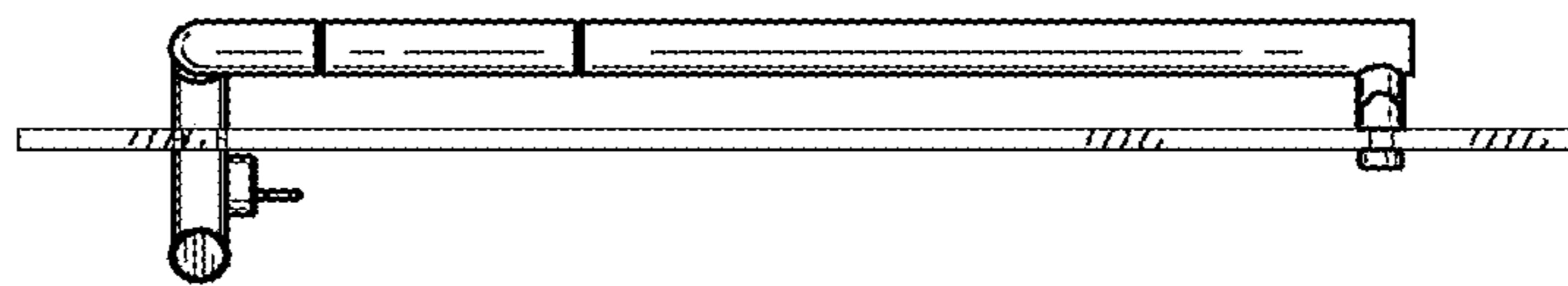
**FIG. 4**



**FIG. 5**



**FIG. 6**



**FIG. 7**