



US00D906081S

(12) **United States Design Patent** (10) **Patent No.:** **US D906,081 S**
Van Essen et al. (45) **Date of Patent:** **** Dec. 29, 2020**

(54) **DRIVER BIT**

(71) Applicant: **MILWAUKEE ELECTRIC TOOL CORPORATION**, Brookfield, WI (US)

(72) Inventors: **James J. Van Essen**, Hales Corners, WI (US); **Smith C. Theiler**, Plymouth, WI (US); **Michael J. Zimmermann**, New Berlin, WI (US)

(73) Assignee: **Milwaukee Electric Tool Corporation**, Brookfield, WI (US)

(**) Term: **15 Years**

(21) Appl. No.: **29/660,273**

(22) Filed: **Aug. 20, 2018**

(51) **LOC (12) Cl.** **08-04**

(52) **U.S. Cl.**
USPC **D8/86**

(58) **Field of Classification Search**
USPC D8/82, 83, 84, 85, 86, 70
(Continued)

(56) **References Cited**

U.S. PATENT DOCUMENTS

1,353,761 A 9/1920 Knoche
3,176,932 A 4/1965 Kovaleski
(Continued)

FOREIGN PATENT DOCUMENTS

DE 4300446 A1 6/1994
EP 2527066 A2 11/2012
(Continued)

OTHER PUBLICATIONS

European Patent Office Extended Search Report for Application No. 19192364.8 dated Jan. 30, 2020 (7 pages).

Primary Examiner — Philip S Hyder

(74) *Attorney, Agent, or Firm* — Michael Best & Friedrich LLP

(57) **CLAIM**

We claim the ornamental design for a driver bit, as shown and described.

DESCRIPTION

The patent or application file contains a least one drawing executed in color. Copies of this patent or patent application publication with color drawings will be provided by the Office upon request and payment of the necessary fee. The black, red, and gray color shown in the embodiment of FIGS. 8-14 and 22-28 forms a part of the claimed design in the embodiment of FIGS. 8-14 and FIGS. 22-28.

FIG. 1 is a perspective view of a driver bit embodying the invention.

FIG. 2 is a first side view of the driver bit of FIG. 1.

FIG. 3 is a second side view of the driver bit of FIG. 1.

FIG. 4 is a first end view of the driver bit and of FIG. 1.

FIG. 5 is a second end view of the driver bit of FIG. 1.

FIG. 6 is a third side view of the driver bit of FIG. 1.

FIG. 7 is a fourth side view of the driver bit of FIG. 1.

FIG. 8 is a perspective view of another driver bit embodying the invention.

FIG. 9 is a first side view of the driver bit of FIG. 8.

FIG. 10 is a second side view of the driver bit of FIG. 8.

FIG. 11 is a first end view of the driver bit of FIG. 8.

FIG. 12 is a second end view of the driver bit of FIG. 8.

FIG. 13 is a third side view of the driver bit of FIG. 8.

FIG. 14 is a fourth side view of the driver bit of FIG. 8.

FIG. 15 is a perspective view of another driver bit embodying the invention.

FIG. 16 is a first side view of the driver bit of FIG. 15.

FIG. 17 is a second side view of the driver bit of FIG. 15.

FIG. 18 is a first end view of the driver bit of FIG. 15.

FIG. 19 is a second end view of the driver bit of FIG. 15.

FIG. 20 is a third side view of the driver bit of FIG. 15.

FIG. 21 is a fourth side view of the driver bit of FIG. 15.

FIG. 22 is a perspective view of another driver bit embodying the invention.

FIG. 23 is a first side view of the driver bit of FIG. 22.

FIG. 24 is a second side view of the driver bit of FIG. 22.

(Continued)

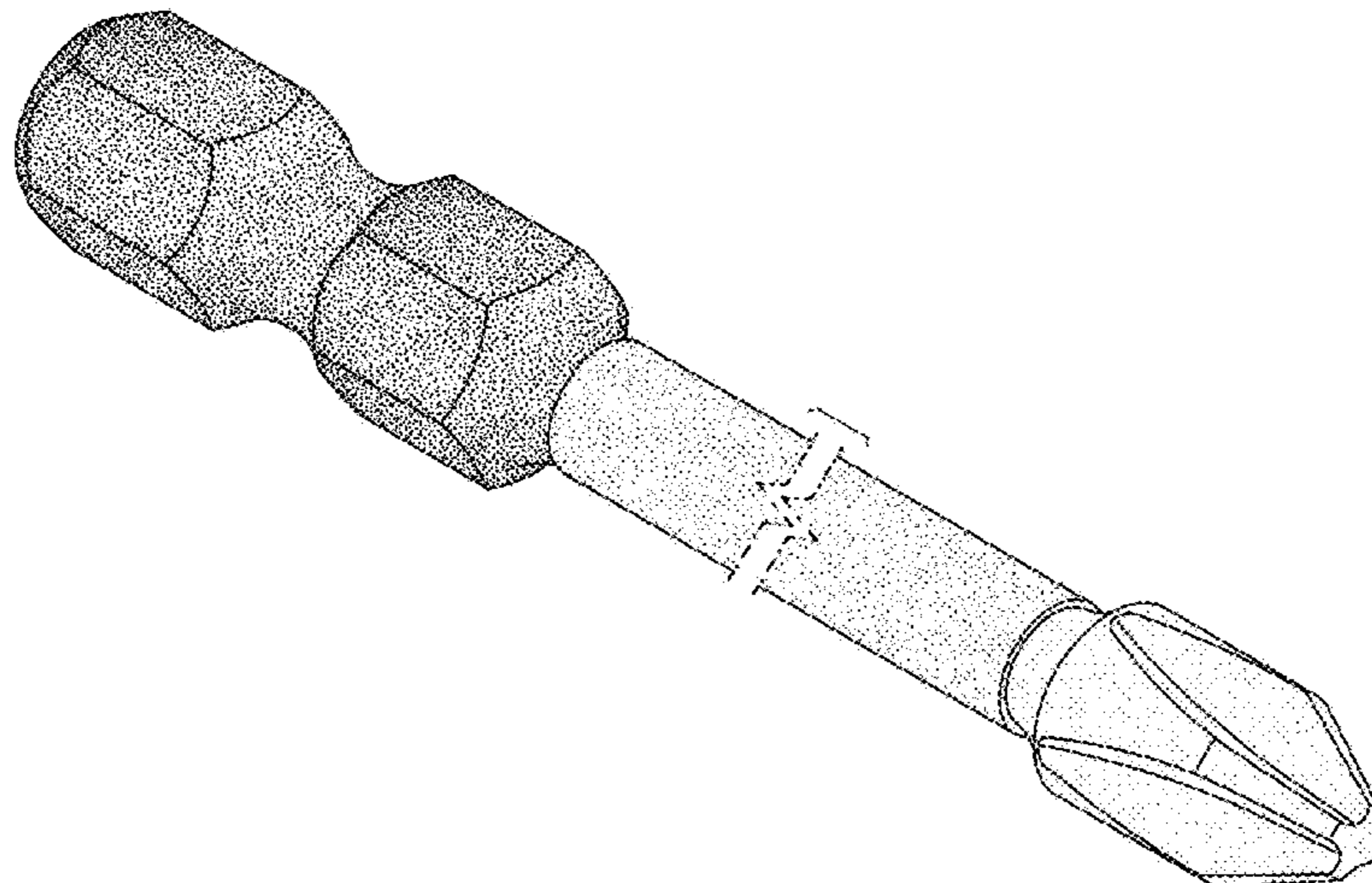


FIG. 25 is a first end view of the driver bit of FIG. 22.
 FIG. 26 is a second end view of the driver bit of FIG. 22.
 FIG. 27 is a third side view of the driver bit of FIG. 22; and,
 FIG. 28 is a fourth side view of the driver bit of FIG. 22.
 The long and short broken lines indicate boundaries which
 form no part of the claimed design.
 The different stippling intensities in FIGS. 1-7 and 15-21
 represent contrasts in color appearance and not stipple
 patterns on the driver bits.

**1 Claim, 16 Drawing Sheets
 (8 of 16 Drawing Sheet(s) Filed in Color)**

(58) **Field of Classification Search**

CPC ... B25B 15/001; B25B 15/002; B25B 15/004;
 B25B 15/005; B25B 15/007

See application file for complete search history.

(56) **References Cited**

U.S. PATENT DOCUMENTS

D244,808	S	6/1977	Ubermuth	
D330,318	S	10/1992	Snider	
5,515,754	A	5/1996	Elkins	
5,724,873	A	3/1998	Hillinger	
5,868,047	A *	2/1999	Faust	B23P 15/00 81/438
D428,106	S	7/2000	Yamaguchi	
6,154,108	A	11/2000	Huang	
6,209,426	B1	4/2001	Takahashi	
6,289,541	B1	9/2001	Anderson et al.	
6,311,989	B1 *	11/2001	Rosanwo	B25B 15/001 279/75
D457,046	S	5/2002	Boyle et al.	
D457,797	S	5/2002	Huang	
6,530,299	B1	3/2003	Liu	
6,722,667	B2 *	4/2004	Cantlon	B23B 31/06 279/155
6,761,361	B2	7/2004	Taylor et al.	
D497,300	S	10/2004	Chen	
6,877,402	B1	4/2005	Pigford et al.	
6,931,967	B1	8/2005	Chang	
7,097,398	B2 *	8/2006	Hernandez, Jr.	B23B 51/08 279/14
7,107,882	B1	9/2006	Chang	
7,159,493	B1 *	1/2007	Huang	B25B 15/06 81/177.85
7,261,023	B2	8/2007	Taguchi	
7,469,909	B2	12/2008	Strauch et al.	
7,574,946	B1	8/2009	Chang	
D615,380	S *	5/2010	Su	D8/86
D623,036	S *	9/2010	DeBaker	D8/86

D631,723	S *	2/2011	DeBaker	D8/86
7,922,180	B2	4/2011	Meng	
D644,903	S *	9/2011	Chen	D8/86
D646,138	S *	10/2011	Hsu	D8/86
D648,607	S *	11/2011	Tanger	D8/51
D655,369	S	3/2012	Hafner	
8,132,990	B2	3/2012	Bauman	
8,176,817	B2	5/2012	Liu	
8,366,356	B2	2/2013	Novak et al.	
8,864,143	B2	10/2014	Lin	
D725,984	S *	4/2015	Moss	D8/86
D726,521	S *	4/2015	Moss	D8/86
9,132,534	B2 *	9/2015	Lai	B25B 15/005
D752,408	S *	3/2016	Moss	D8/86
9,314,909	B2	4/2016	Vaamonde Coton et al.	
D759,459	S *	6/2016	Thomson	D8/331
D764,251	S *	8/2016	Hsu	D8/86
9,406,423	B1	8/2016	Tsai	
9,505,108	B2	11/2016	Peters	
D789,761	S *	6/2017	Moss	D8/86
10,150,205	B2 *	12/2018	Santamarina	B25B 23/0035
D838,566	S *	1/2019	Moss	D8/70
D841,425	S *	2/2019	Moss	D8/86
2004/0093997	A1	5/2004	Huang	
2005/0098002	A1	5/2005	Holland-Letz	
2005/0166725	A1	8/2005	Chen	
2006/0278050	A1	12/2006	Hsiao	
2007/0234856	A1	10/2007	Liu	
2009/0139378	A1	6/2009	Chiang et al.	
2009/0174157	A1	7/2009	Chang	
2009/0288525	A1	11/2009	Chen	
2010/0011918	A1	1/2010	Ray	
2010/0219594	A1	9/2010	Nash	
2010/0307298	A1 *	12/2010	Lai	B25B 15/002 81/442
2011/0197721	A1 *	8/2011	DeBaker	B25B 15/002 81/436
2012/0160064	A1	6/2012	Moss et al.	
2015/0202751	A1	7/2015	Chen	
2016/0016298	A1	1/2016	Zhang	
2016/0023333	A1	1/2016	Chen	
2016/0271768	A1	9/2016	Zhang	
2016/0279769	A1	9/2016	Arslan	
2016/0325411	A1 *	11/2016	Wang	B25B 15/001
2017/0120428	A1	5/2017	Wang	

FOREIGN PATENT DOCUMENTS

GB	950544	A	2/1964
WO	2005042210	A1	5/2005
WO	2006111447	A1	10/2006
WO	2008043514	A1	4/2008
WO	2012110453	A1	8/2012
WO	2017055657	A1	4/2017
WO	2018098700	A1	6/2018

* cited by examiner

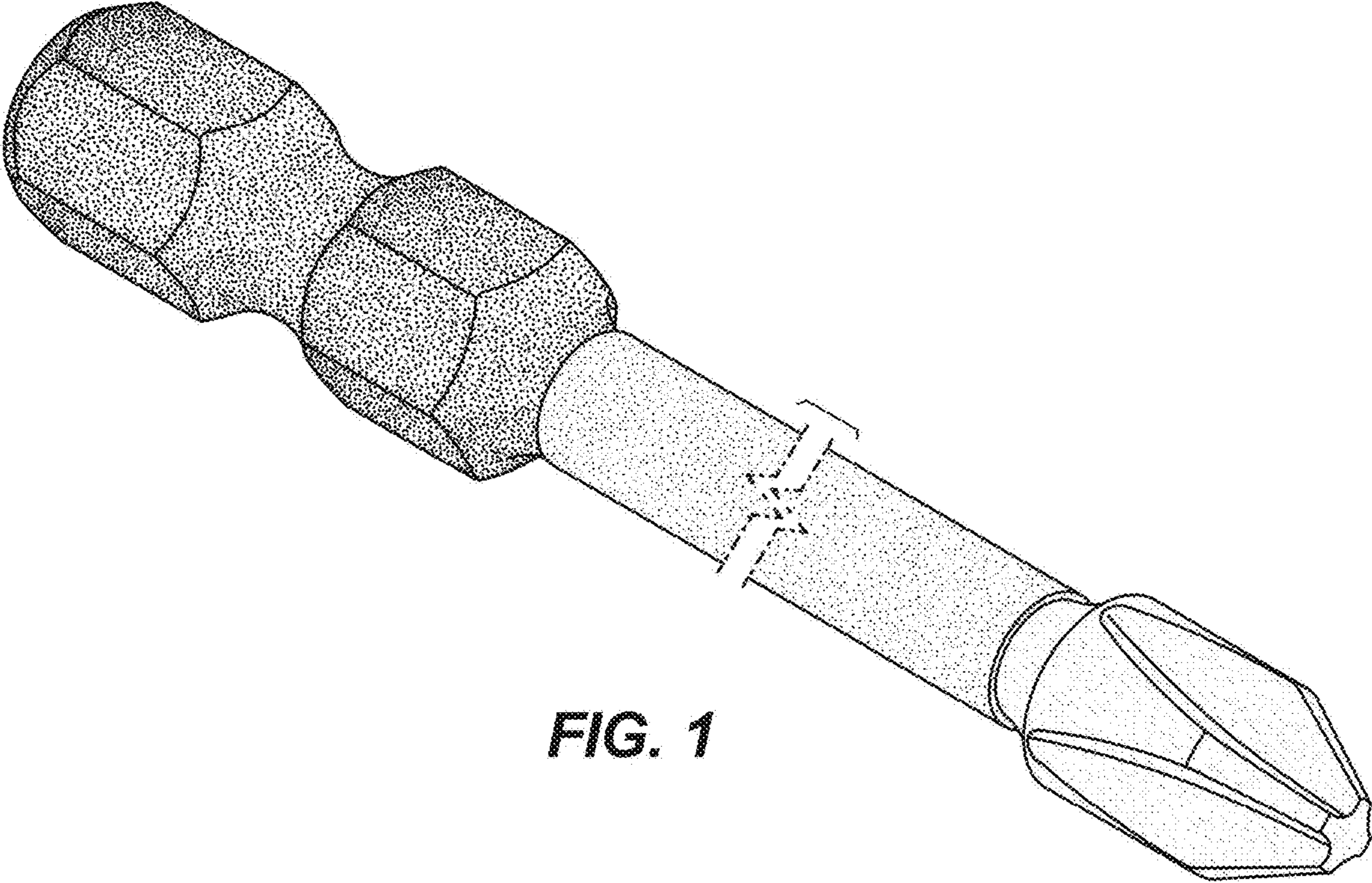


FIG. 1

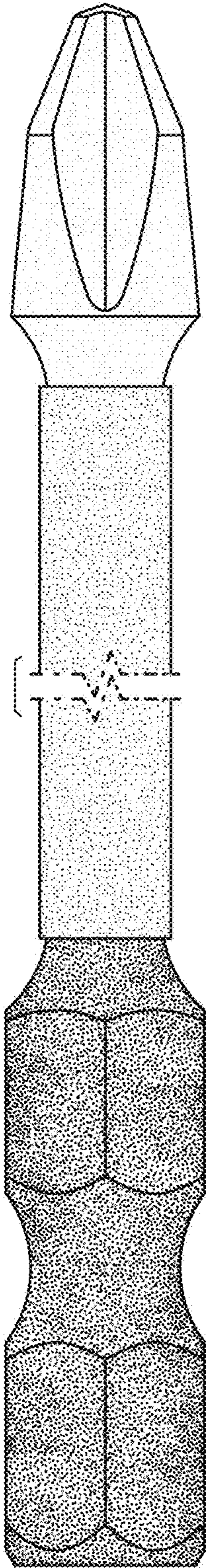


FIG. 2

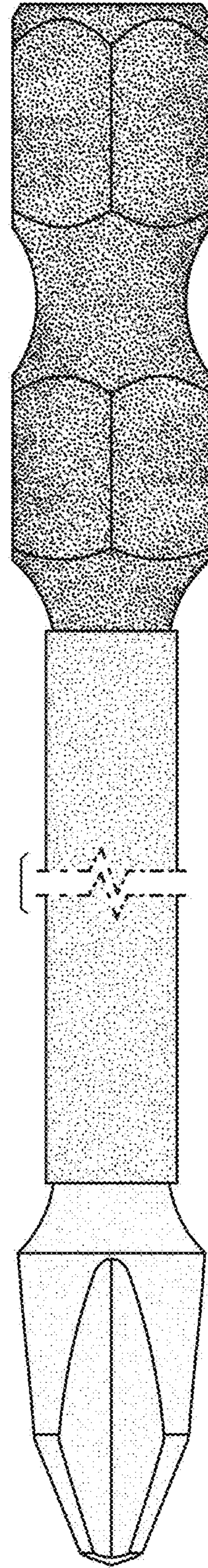


FIG. 3

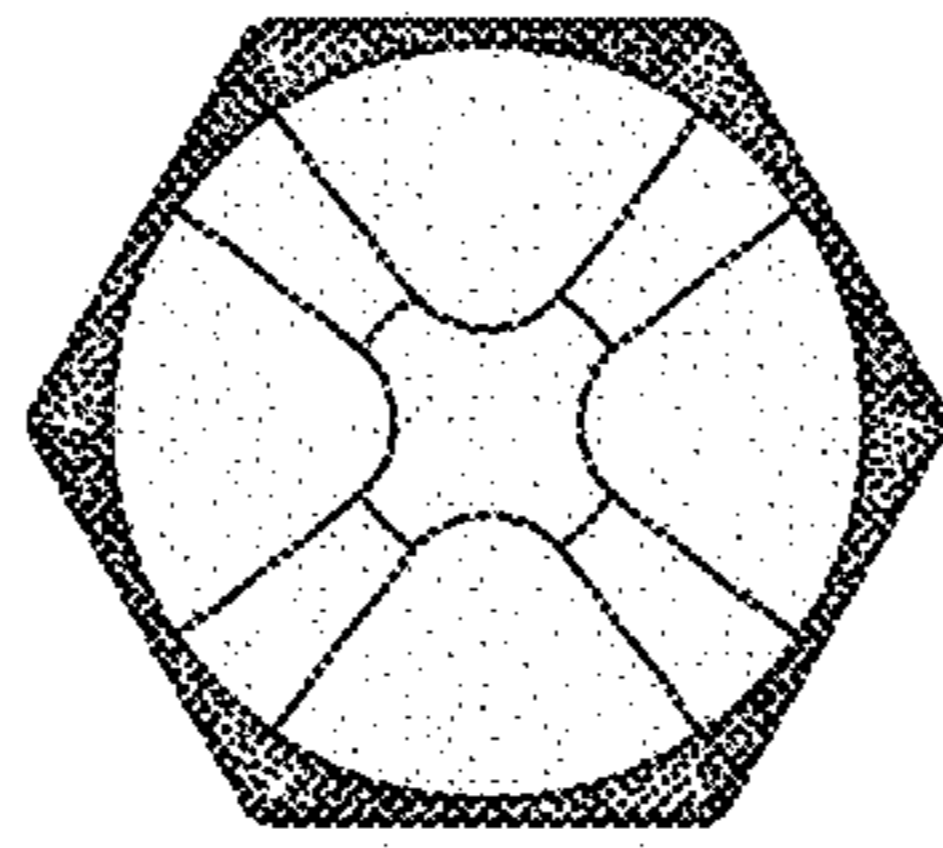


FIG. 4

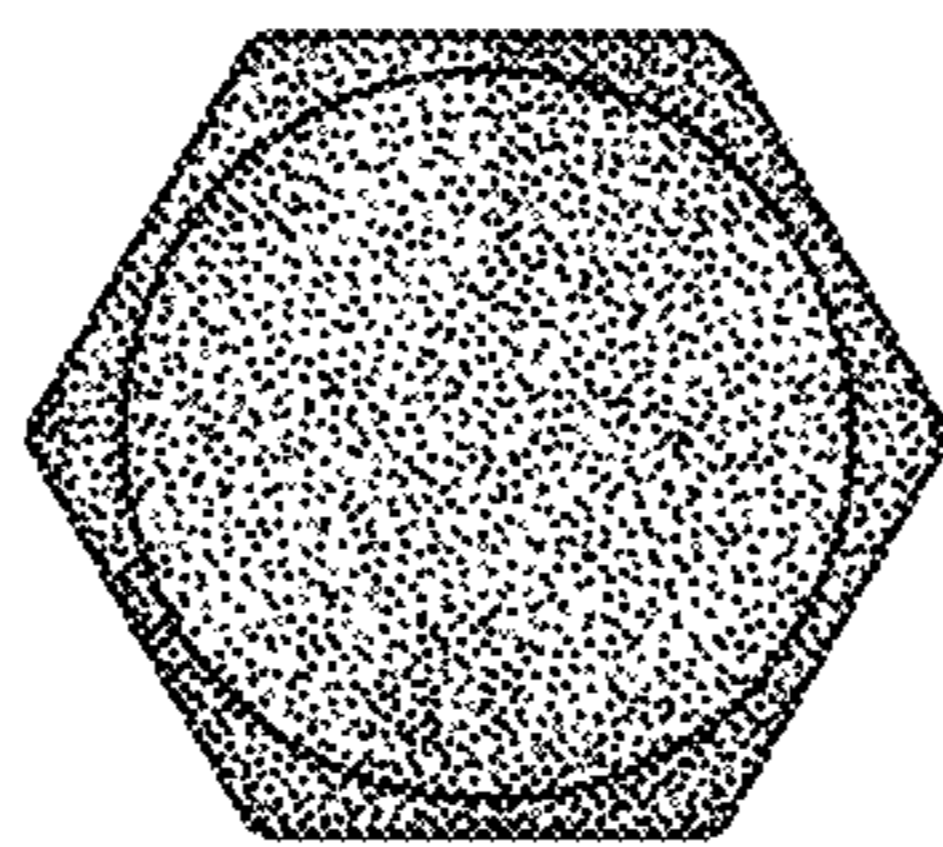


FIG. 5

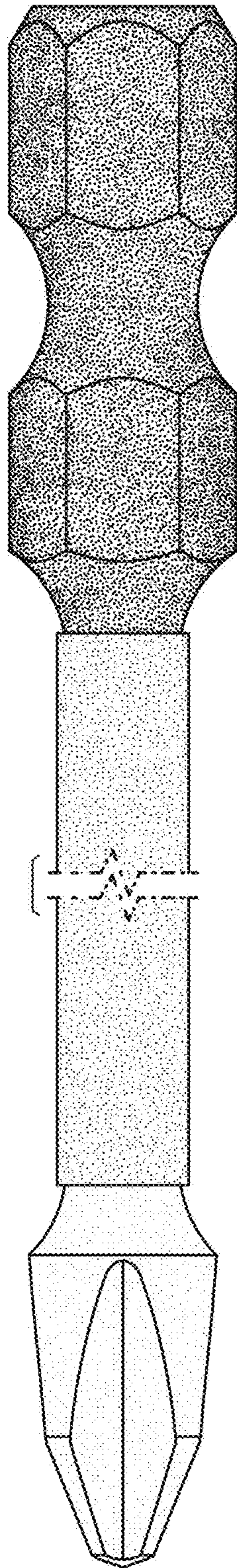


FIG. 6

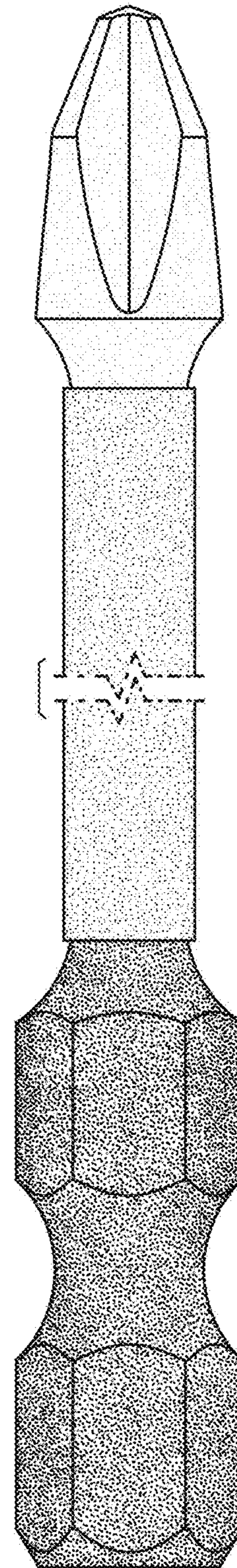


FIG. 7

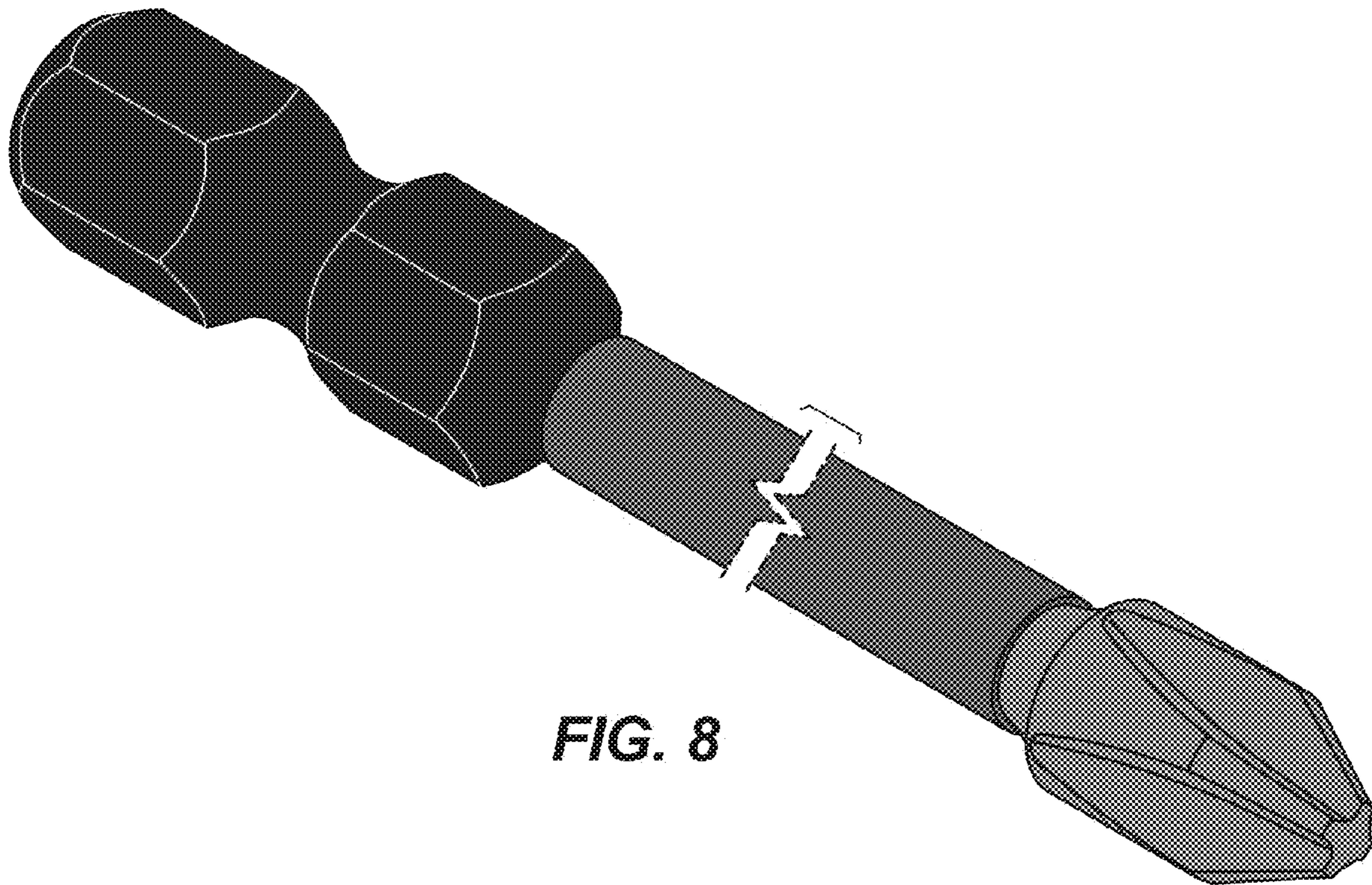


FIG. 8

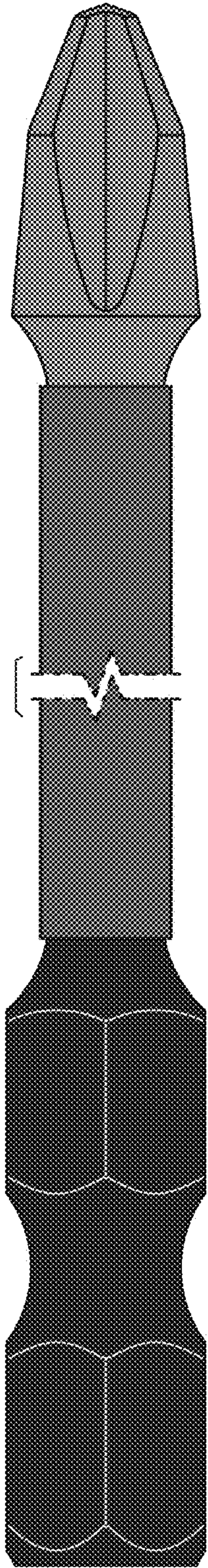


FIG. 9

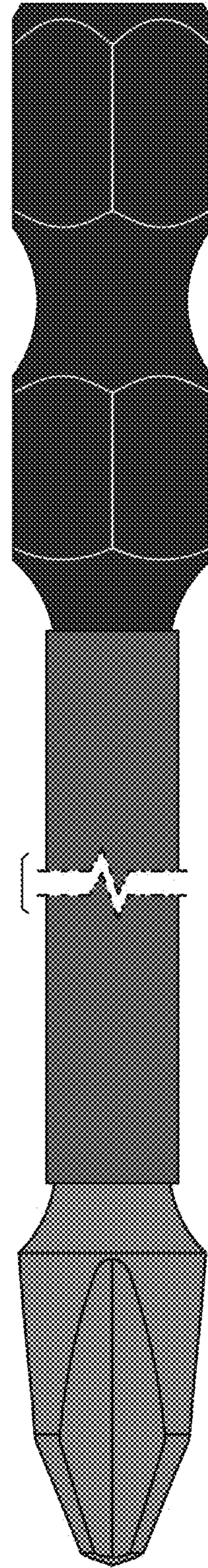


FIG. 10

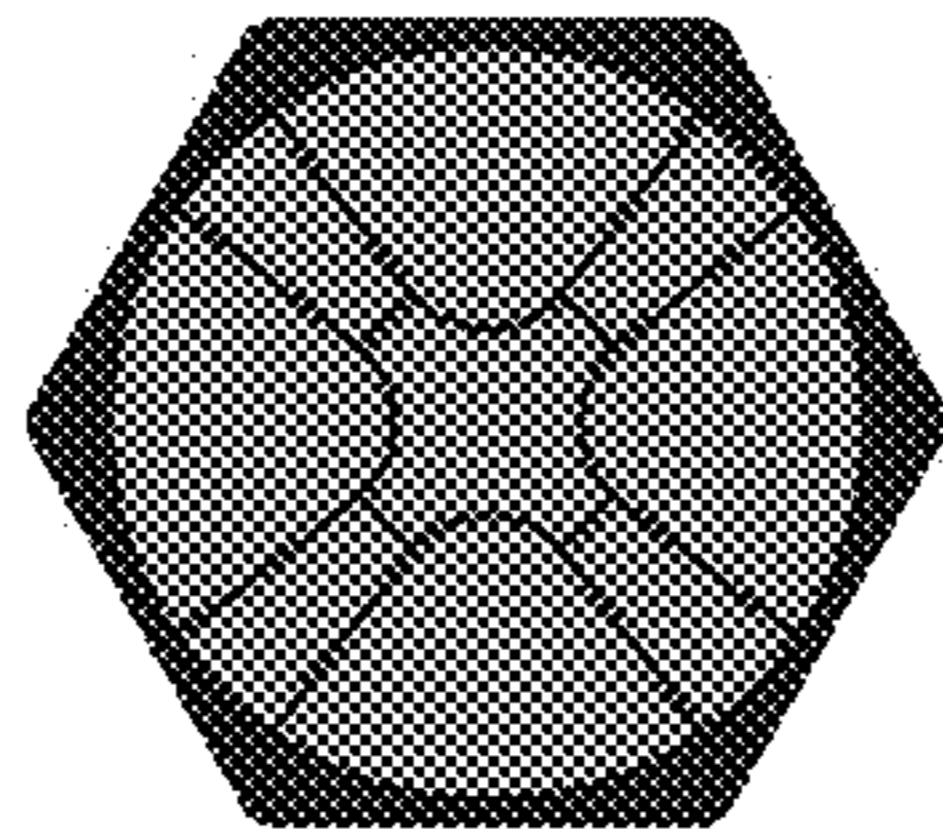


FIG. 11

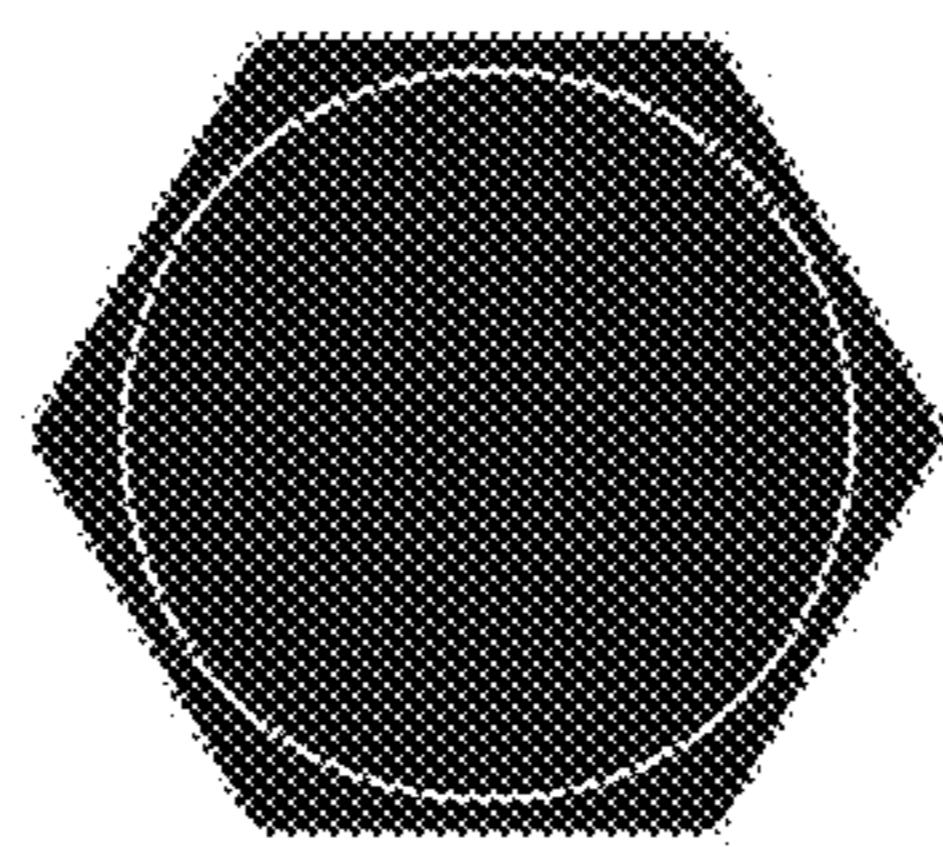


FIG. 12

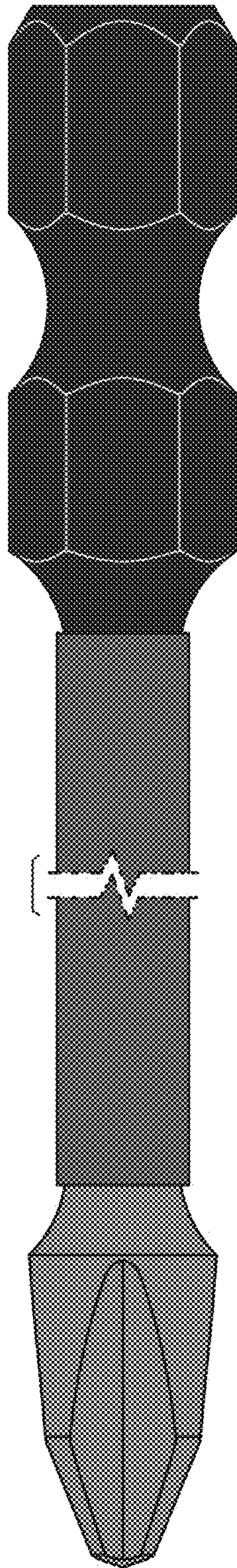


FIG. 13

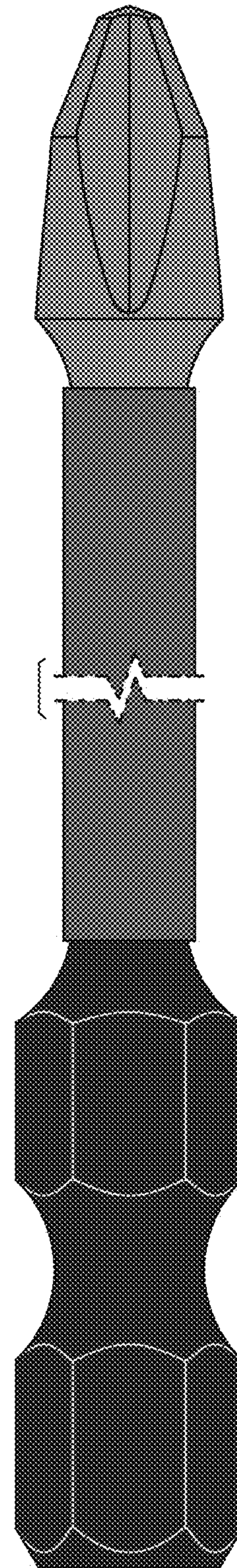


FIG. 14

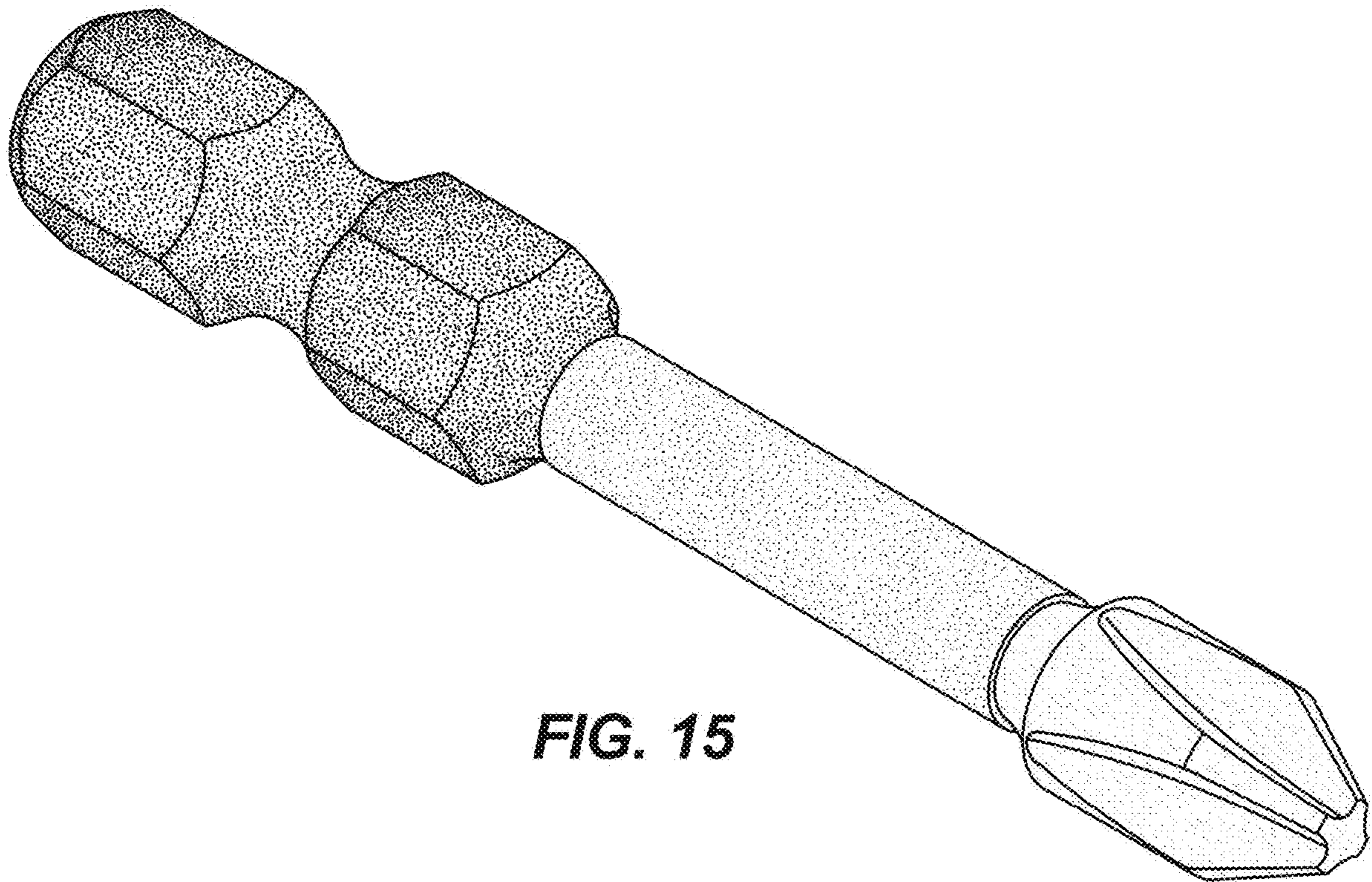


FIG. 15

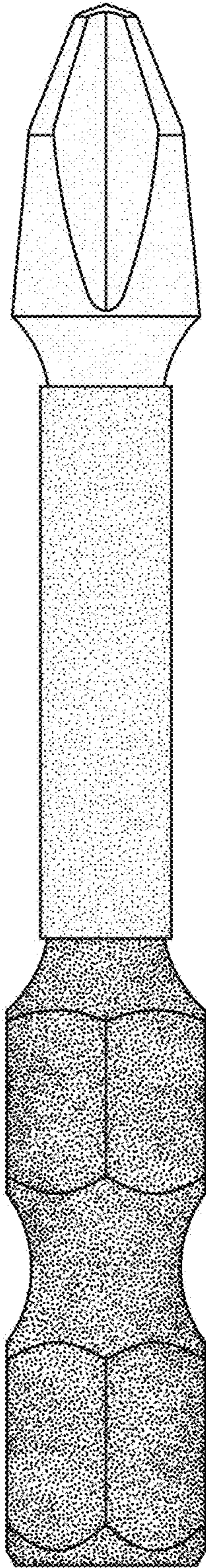


FIG. 16

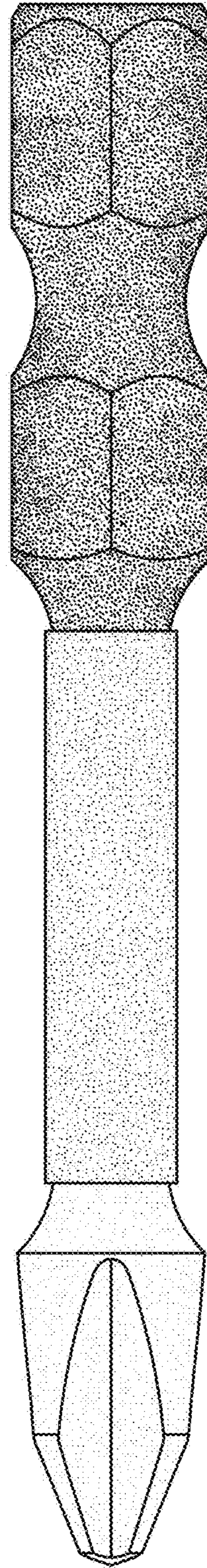


FIG. 17

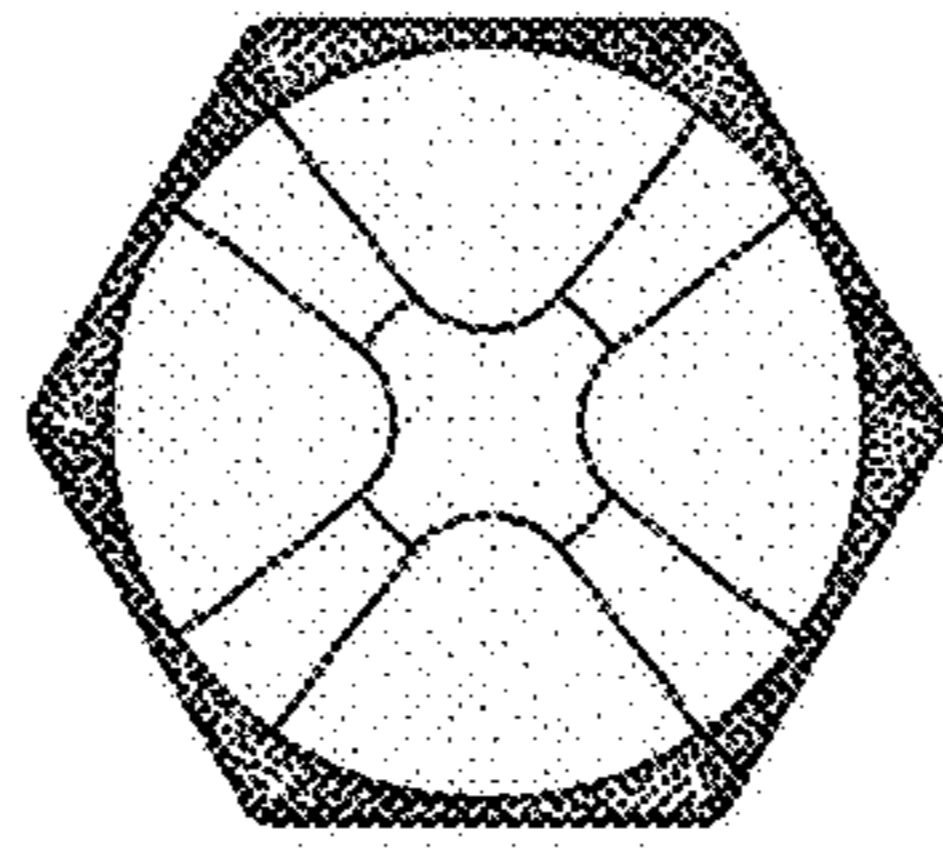


FIG. 18

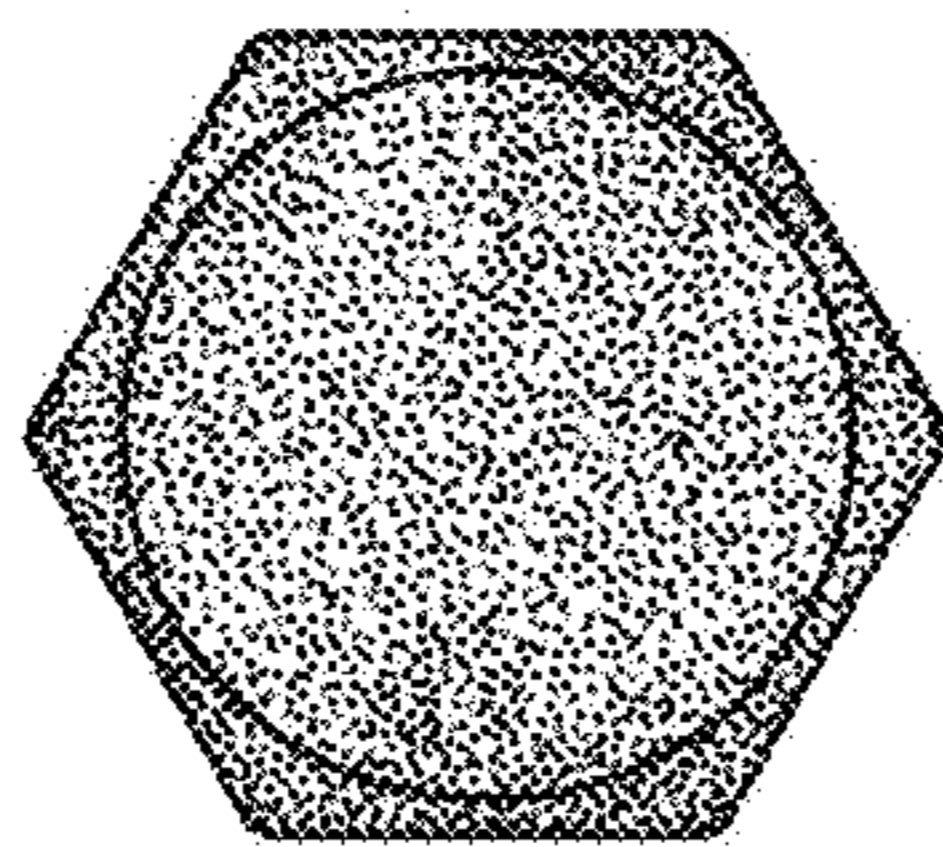


FIG. 19

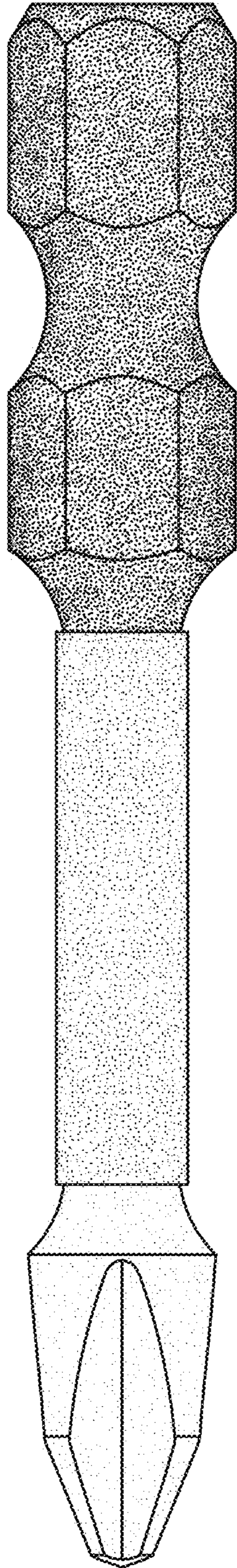


FIG. 20

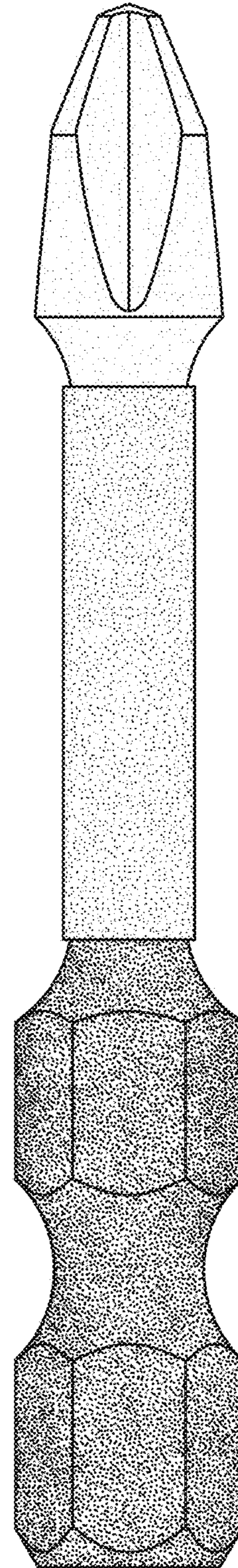


FIG. 21

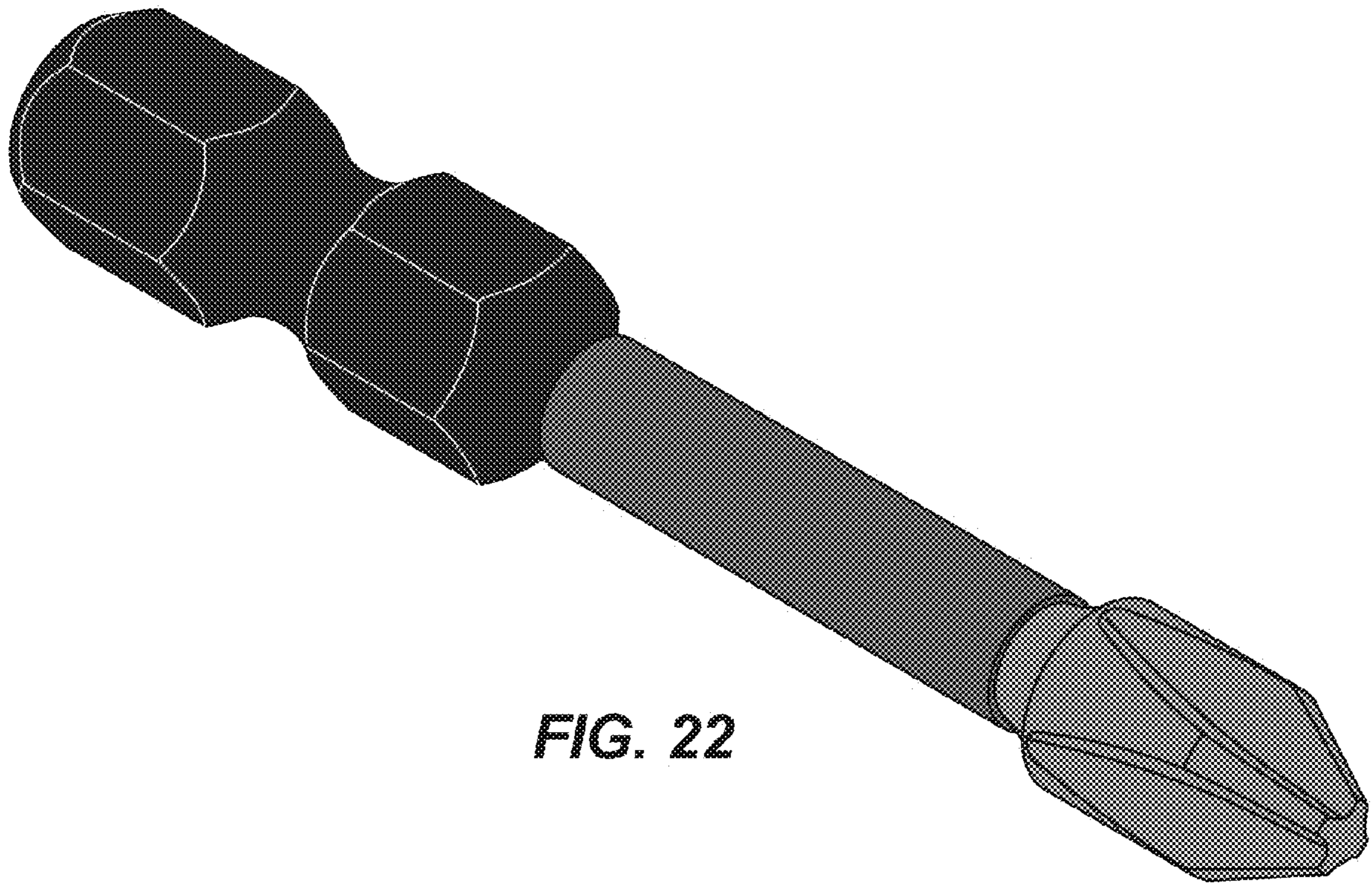


FIG. 22

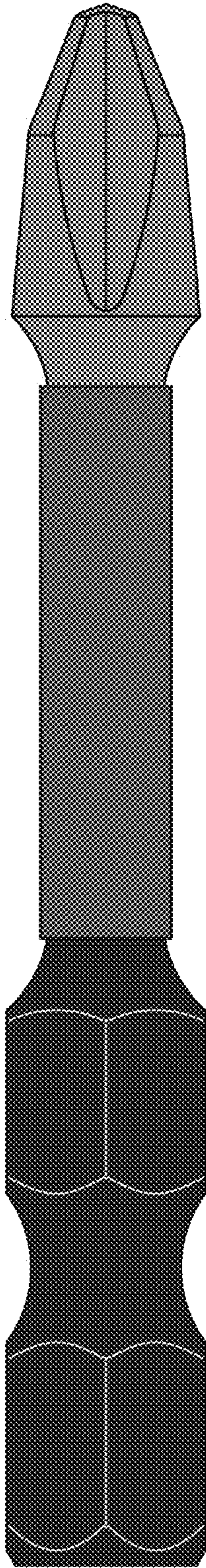


FIG. 23

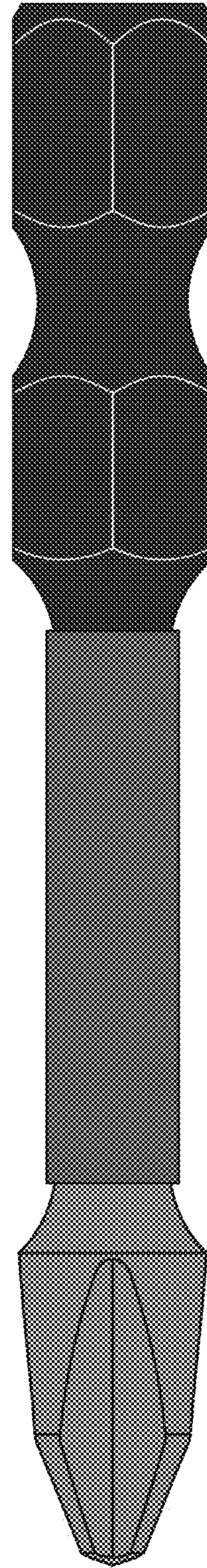


FIG. 24

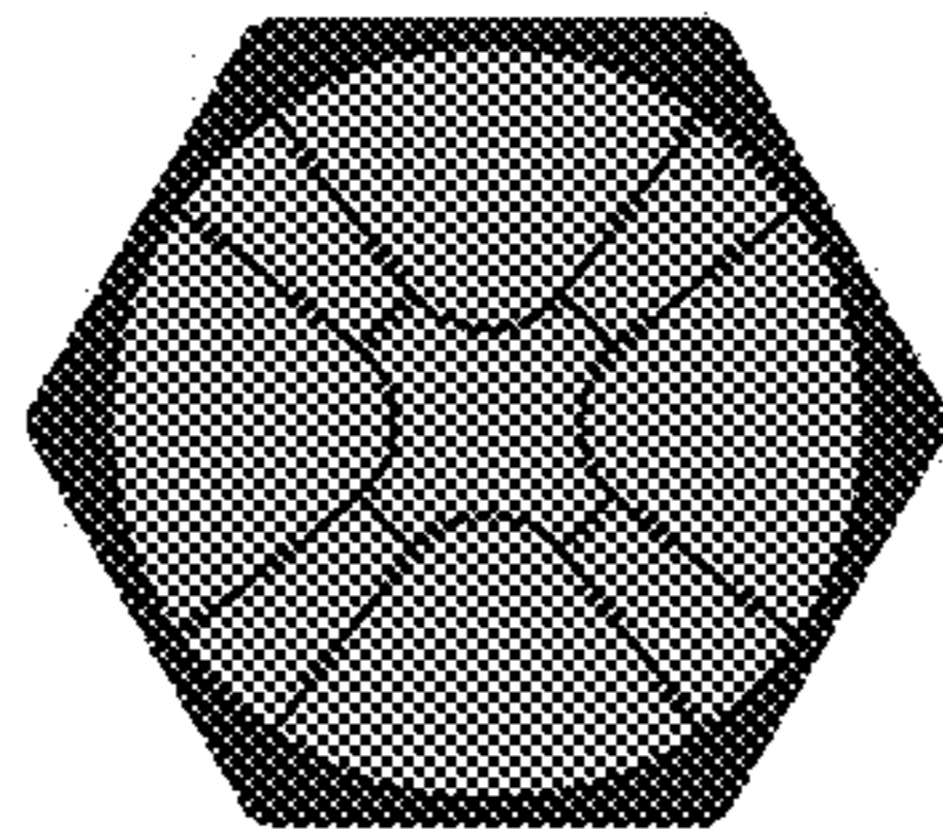


FIG. 25

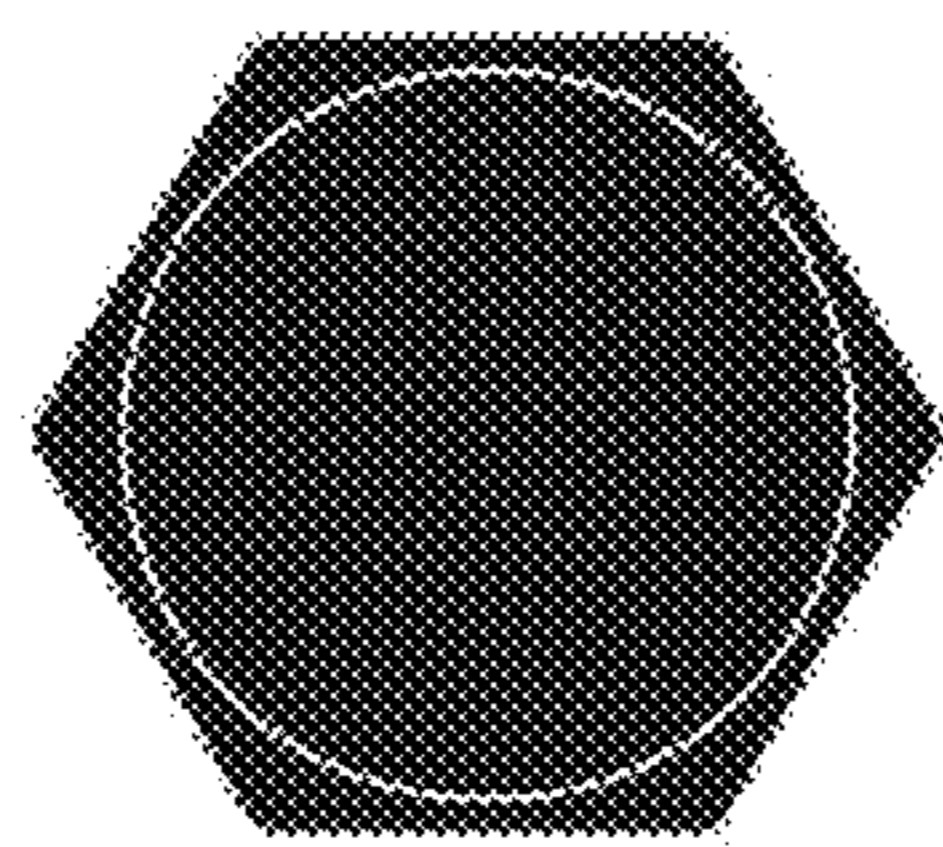


FIG. 26

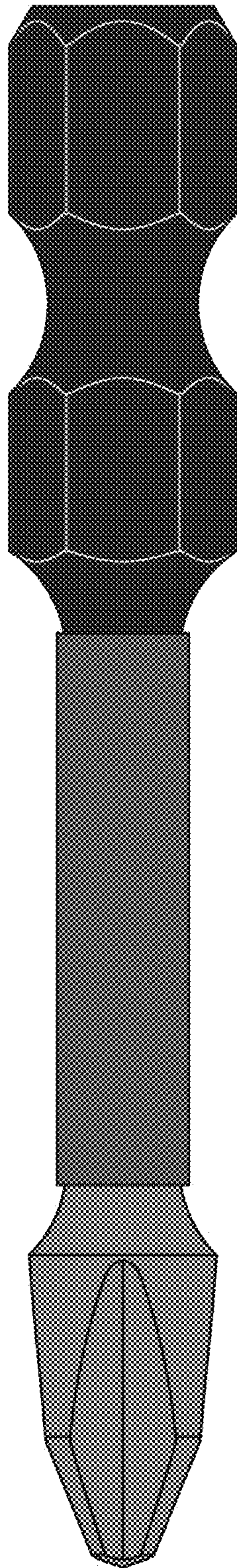


FIG. 27

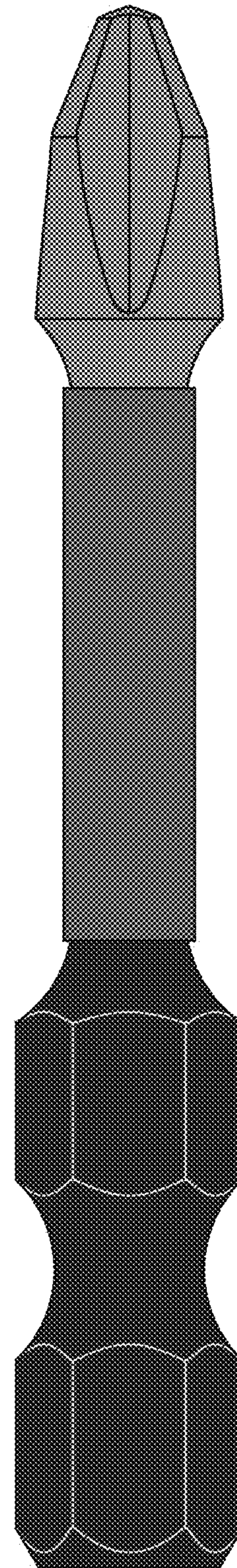


FIG. 28