



US00D906080S

(12) **United States Design Patent**
Gordon

(10) **Patent No.:** **US D906,080 S**

(45) **Date of Patent:** **** Dec. 29, 2020**

(54) **LOCKING BOOT FOR VEHICLE WHEEL**

(71) Applicant: **Mike Gordon**, Oceanside, NY (US)

(72) Inventor: **Mike Gordon**, Oceanside, NY (US)

(**) Term: **15 Years**

(21) Appl. No.: **29/696,561**

(22) Filed: **Jun. 28, 2019**

(51) **LOC (12) Cl.** **08-05**

(52) **U.S. Cl.**
USPC **D8/72**

(58) **Field of Classification Search**
USPC D8/71-74, 394-399, 59; 81/487, 385,
81/386, 388-390; 269/3, 4, 6, 143, 165,
269/240, 243, 246-249, 254 R, 147-149;
29/256, 257, 276; 408/103, 104-109;
248/63, 72, 74.1, 689, 124.2
CPC B25B 1/00; B25B 5/00
See application file for complete search history.

(56) **References Cited**

U.S. PATENT DOCUMENTS

1,376,114	A	4/1921	Raney	
1,488,893	A	4/1924	Plouffe	
2,960,857	A	11/1960	Winter	
3,868,837	A	3/1975	Quimby	
3,907,072	A	9/1975	Shafer	
4,723,426	A	2/1988	Beaudoin	
5,315,848	A *	5/1994	Beyer	B60R 25/0225 188/32
5,375,442	A	12/1994	Hammer	
5,385,038	A	1/1995	Walker	
5,678,433	A	10/1997	Riccitelli	
5,829,285	A	11/1998	Wilson	
5,862,688	A	1/1999	Odegard	
5,865,048	A	2/1999	Beavers	
5,873,275	A	2/1999	Lukich	
D413,429	S *	9/1999	Carson	D3/10
D418,033	S *	12/1999	Svedberg	D34/31

6,032,497	A	3/2000	Fulcher	
6,192,724	B1 *	2/2001	Vito	B60R 25/005 70/202
6,434,980	B1 *	8/2002	Foster	B60R 25/09 70/14
D482,585	S *	11/2003	Brass	D8/72
D484,017	S *	12/2003	Knox	D8/72
6,748,637	B2 *	6/2004	Meggiolan	B25B 27/0071 29/257
6,792,780	B1 *	9/2004	De Lucia	B60R 25/005 70/202
D542,122	S	5/2007	Mechalchuk et al.	
D543,821	S *	6/2007	Ranieri	D8/73

(Continued)

OTHER PUBLICATIONS

Paylock Modern Parking Solutions and Smart Boot, "Smartbooting" [online at the internet<URL: https://paylock.com/]. [Last Visited Sep. 20, 2017].

(Continued)

Primary Examiner — David G Muller
(74) *Attorney, Agent, or Firm* — Sean R. Wilsusen, Esq.;
Carter, DeLuca & Farrell LLP

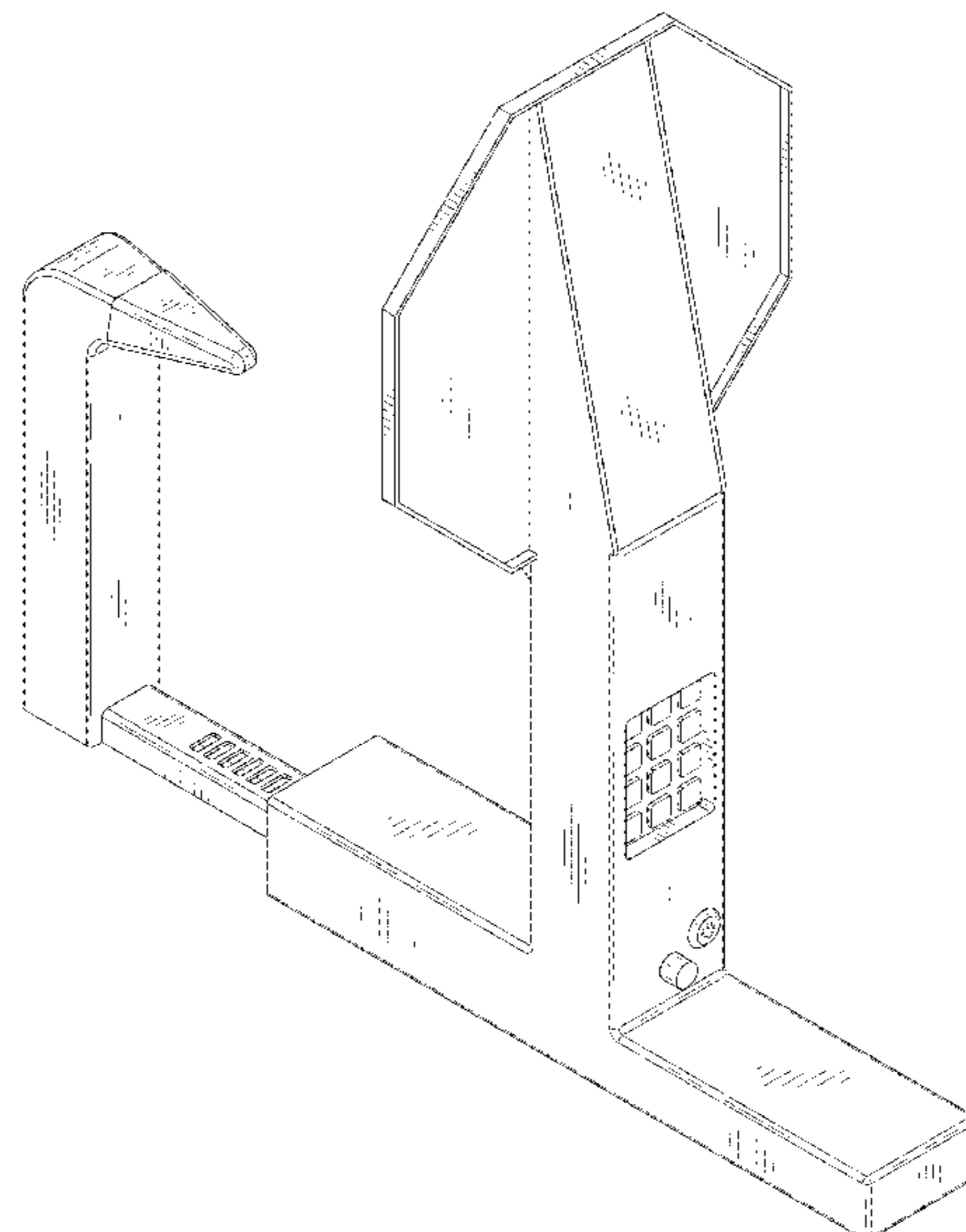
(57) **CLAIM**

The ornamental design for a locking boot for vehicle wheel, as shown and described.

DESCRIPTION

FIG. 1 is top perspective view of a locking boot for vehicle wheel;
FIG. 2 is a bottom perspective view thereof;
FIG. 3 is a top plan view thereof;
FIG. 4 is a bottom plan view thereof;
FIG. 5 is a first side view thereof;
FIG. 6 is a second side view thereof;
FIG. 7 is front view thereof; and,
FIG. 8 is rear view thereof.

1 Claim, 8 Drawing Sheets



(56)

References Cited

U.S. PATENT DOCUMENTS

D545,161 S * 6/2007 Ranieri D8/72
 D567,062 S 4/2008 Meyer
 7,594,415 B1 9/2009 Wu
 7,731,088 B2 6/2010 Moynihan et al.
 7,843,321 B2 11/2010 Marchasin et al.
 7,950,570 B2 5/2011 Marchasin
 7,988,046 B2 8/2011 Moynihan et al.
 8,099,984 B2 1/2012 Wu
 8,166,745 B2* 5/2012 Seiter B25B 27/22
 59/7
 8,219,442 B2 7/2012 Johnson et al.
 D668,127 S * 10/2012 Yang D8/72
 D677,140 S * 3/2013 Krohmer D8/72
 8,702,077 B2* 4/2014 Liu B25B 5/163
 269/6
 9,262,749 B2 2/2016 Johnson et al.
 9,963,105 B1 5/2018 Gordon
 D888,524 S * 6/2020 Weber D8/72
 2005/0184439 A1* 8/2005 Janson B25B 5/006
 269/6
 2007/0245783 A1 10/2007 Fulcher
 2009/0188284 A1 7/2009 Mechalchuk
 2010/0108448 A1 5/2010 Wyers
 2011/0083481 A1 4/2011 Cheatham

2011/0226022 A1 9/2011 Caldwell
 2012/0215595 A1 8/2012 Johnson et al.
 2012/0215596 A1 8/2012 Johnson et al.
 2012/0260702 A1 10/2012 Jones
 2013/0226795 A1 8/2013 Hopper

OTHER PUBLICATIONS

Product information webpage for Coochleer Car Wheel Lock Anti Theft Tire Lock Clamp Boot Tire Claw Parking Car Truck RV Boat Trailer: Automotive, accessed Aug. 1, 2018 at: https://www.amazon.com/dp/B0725RFVTK/ref=sspa_dk_detail_2?psc=1&pd_rd_i=B0725RFVTK&pd_rd_wg=R4Mz1&pd_rd_r=H56CCZ90T4WP1BE97H3D&pd_rd_w=5KEc5, referencing a “Date First Available” of Apr. 13, 2017.
 Product information webpage for Heavy Duty Wheel Lock, accessed via Internet archive: Wayback Machine (<https://archive.org/web/>) for <http://www.equipmentlock.com> as publicaly viewable on May 4, 2012.
 Article titled “SmartBoots coming to Salt Lake City Streets”, posted on www.KSL.com on Mar. 10, 2011.
 Product User Manual for Fullstop Security Centurian Wheel Clamp, Model FCWC10-7, Rev. B Jul. 2007, copyright 2007.
 File History for Ex-Parte Reexamination No. 90/014,183.

* cited by examiner

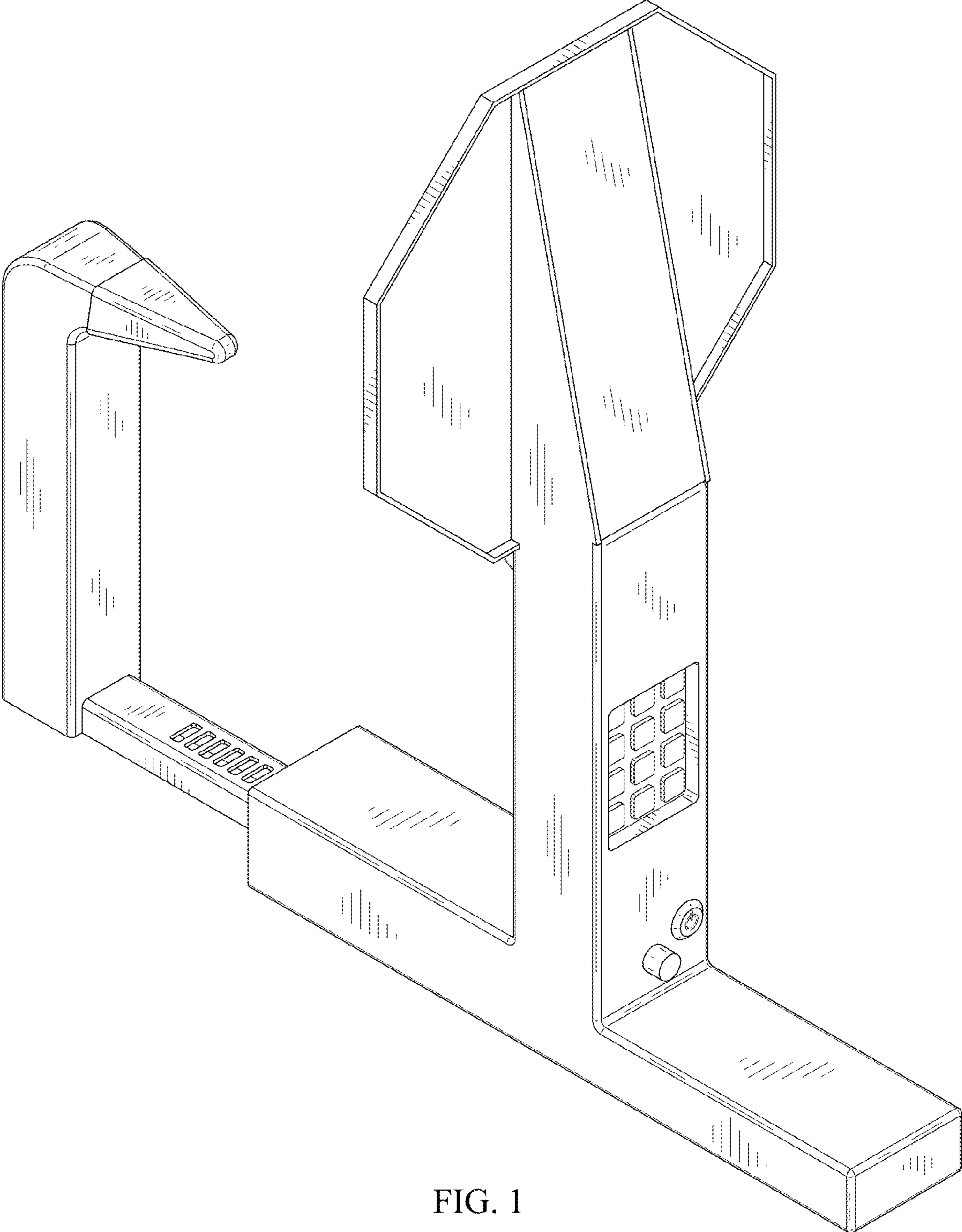


FIG. 1

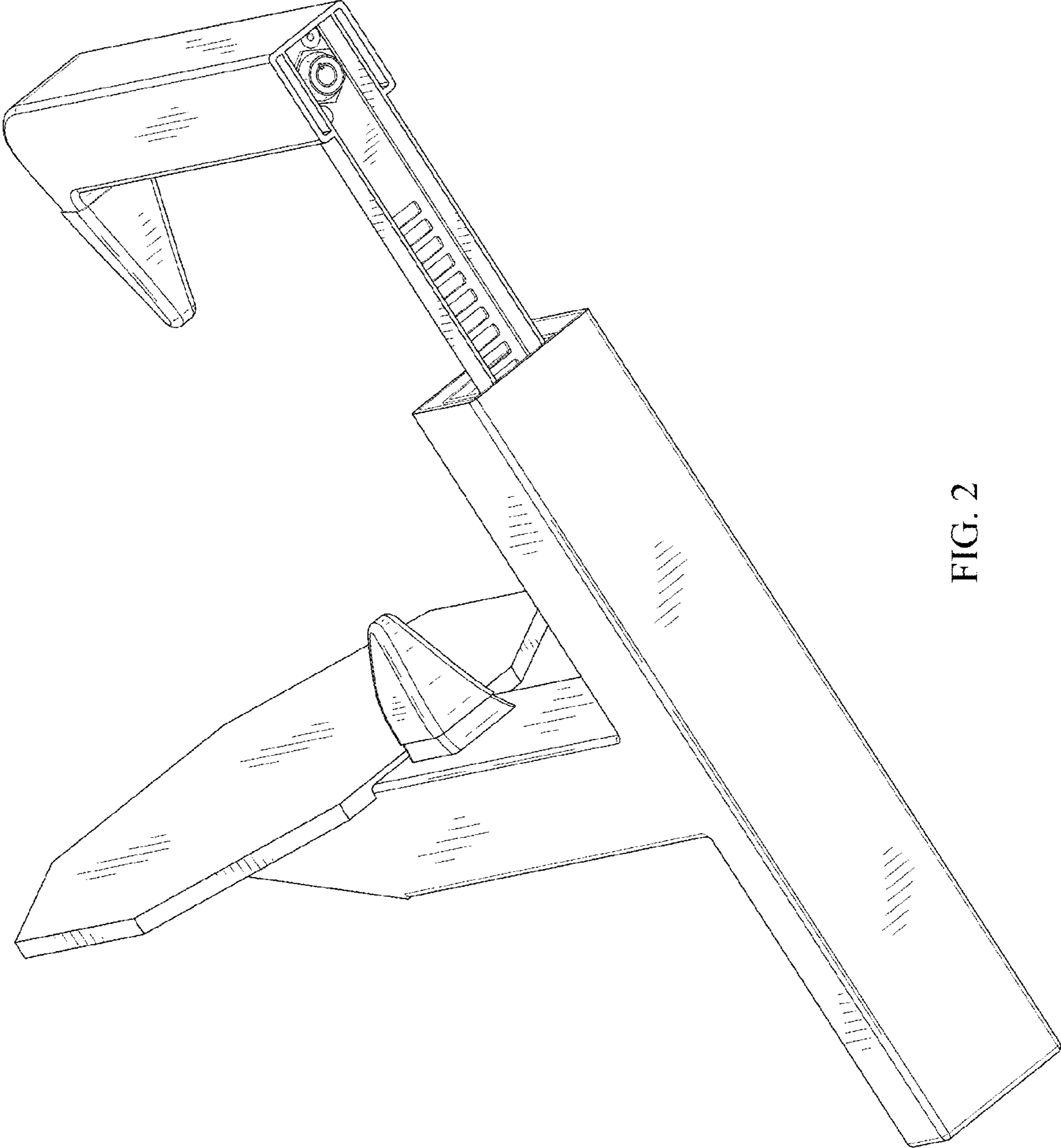


FIG. 2

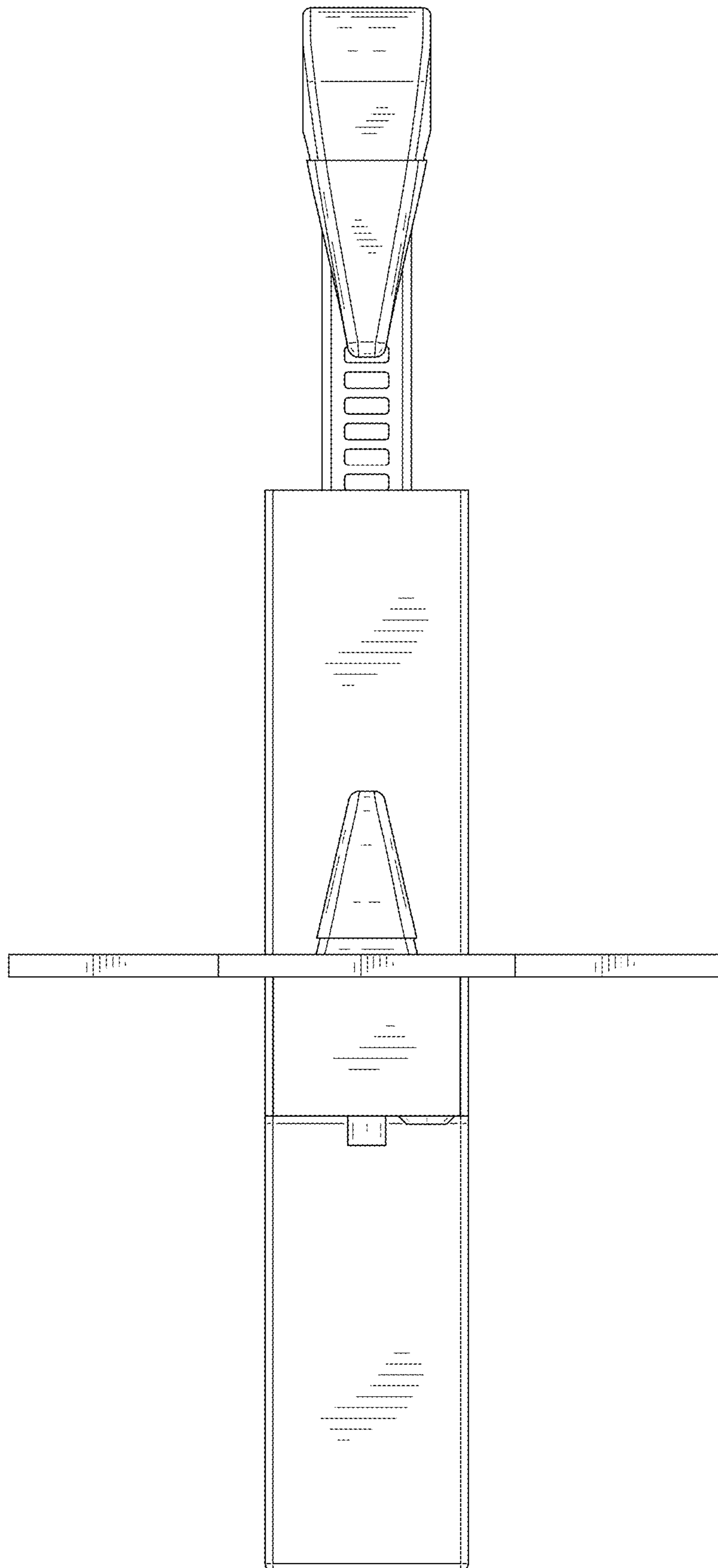


FIG. 3

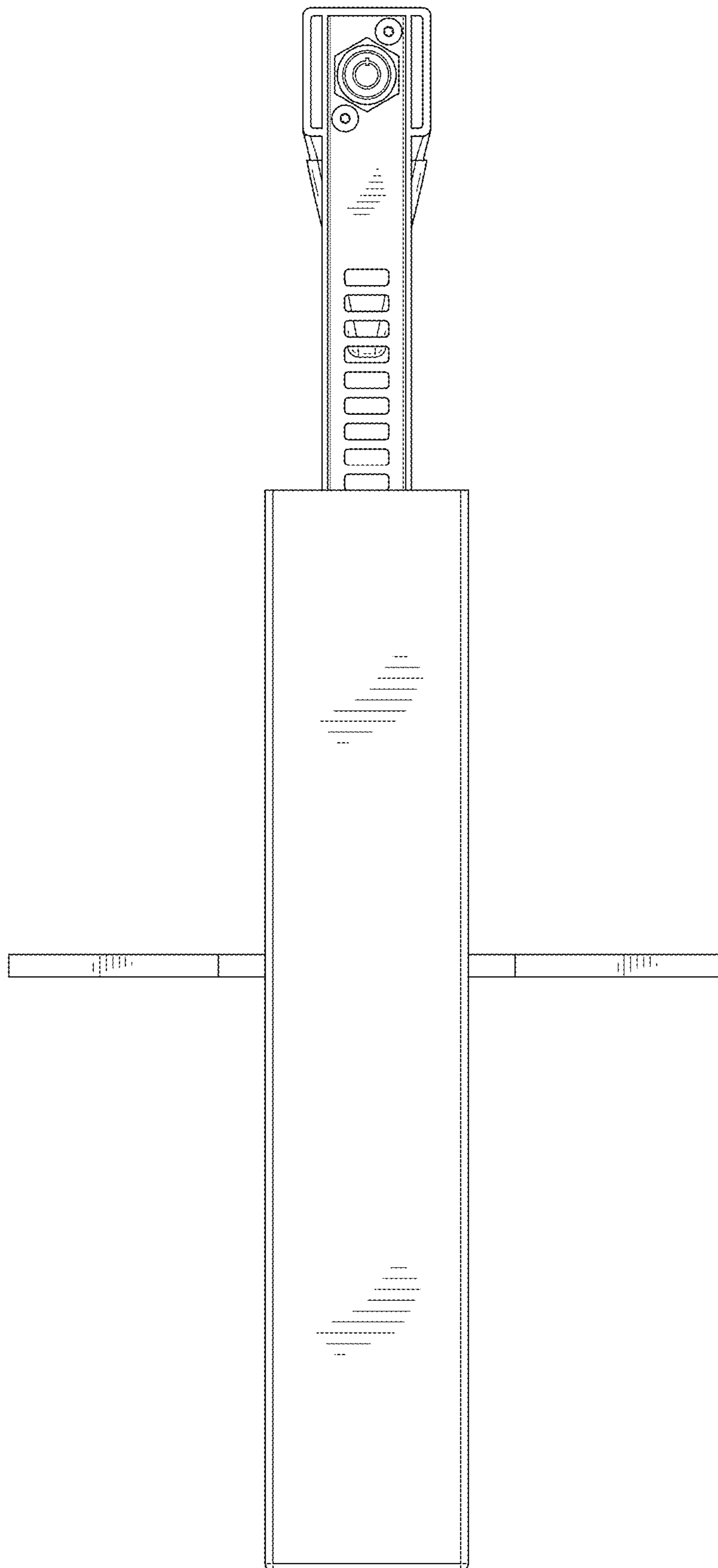


FIG. 4

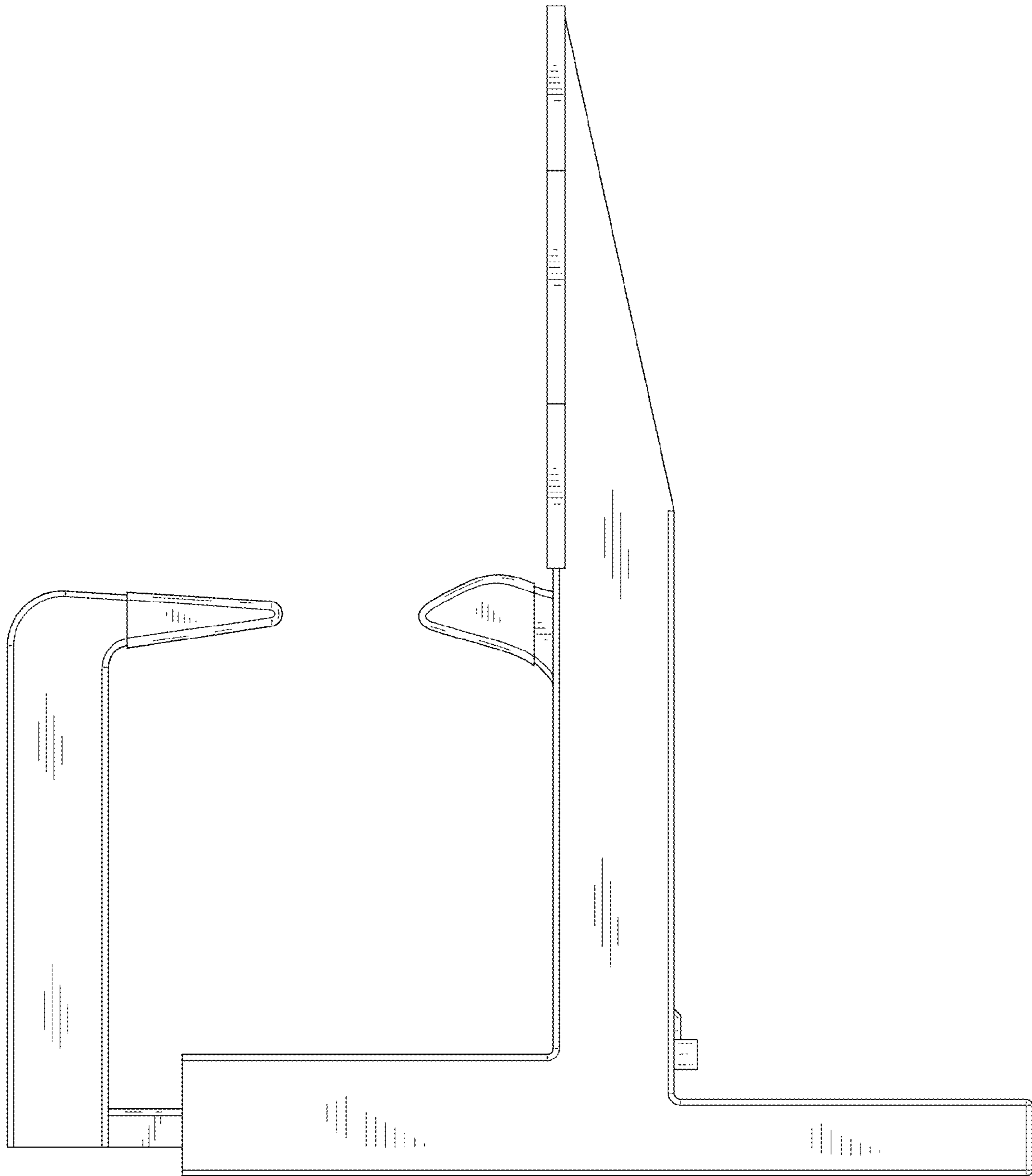


FIG. 5

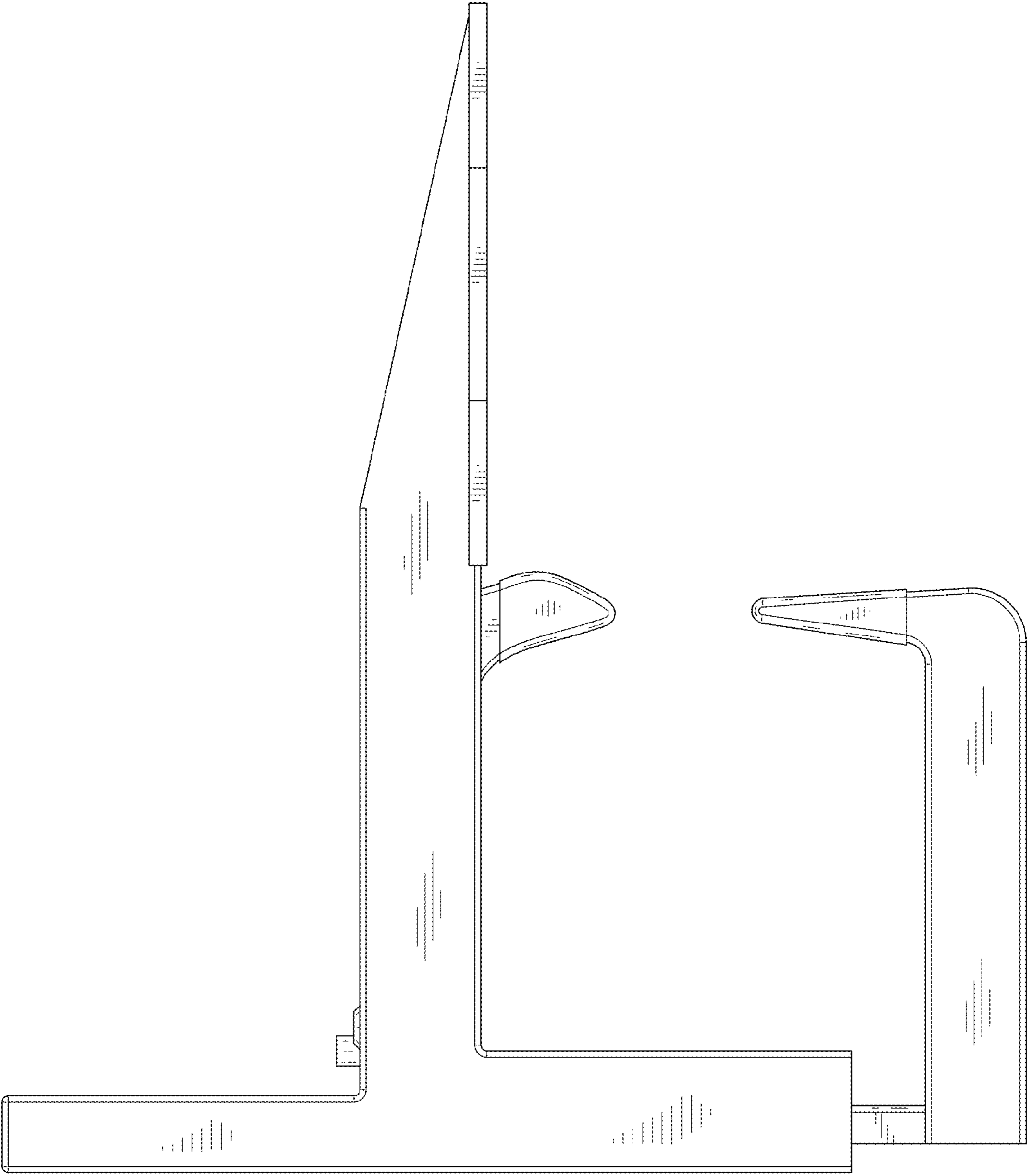


FIG. 6

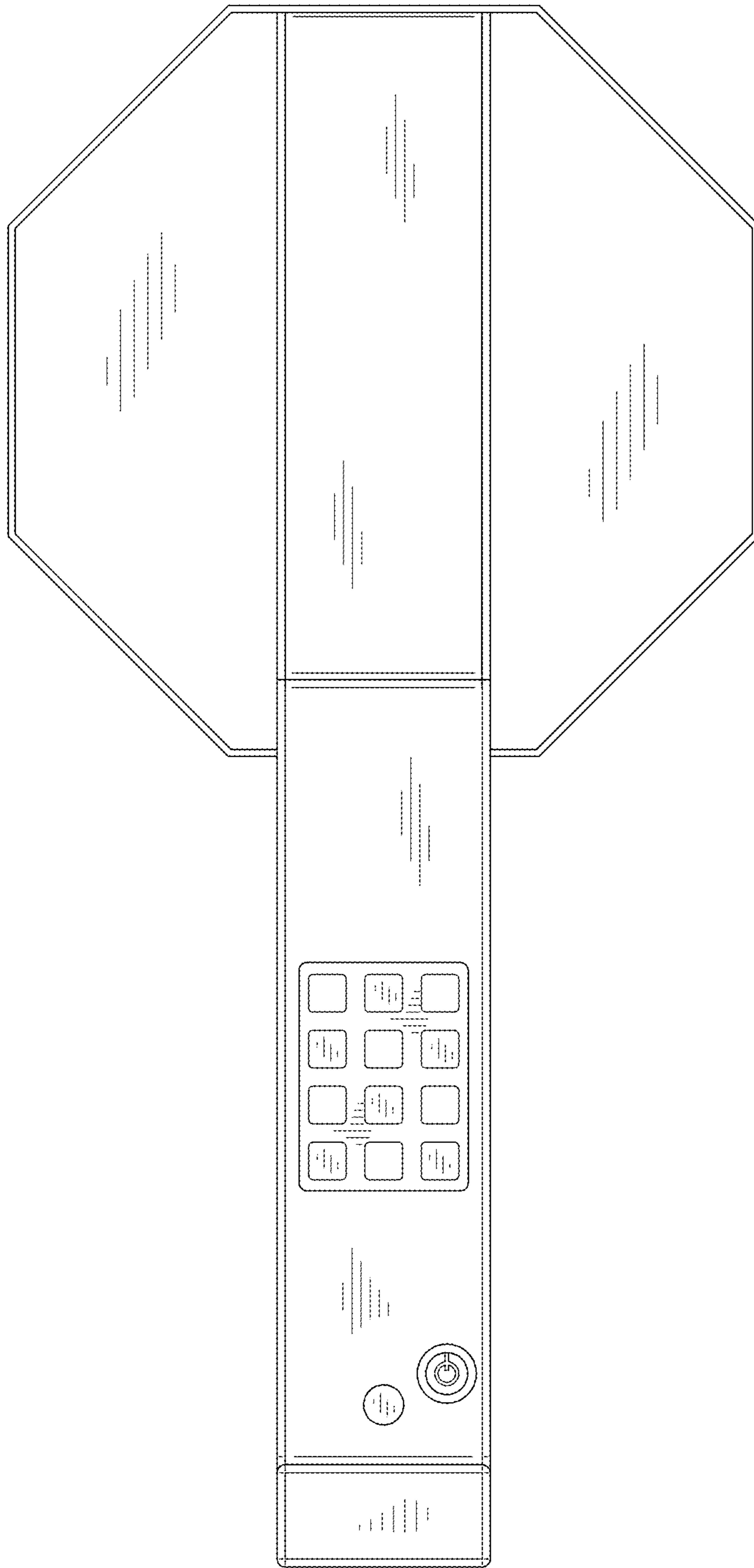


FIG. 7

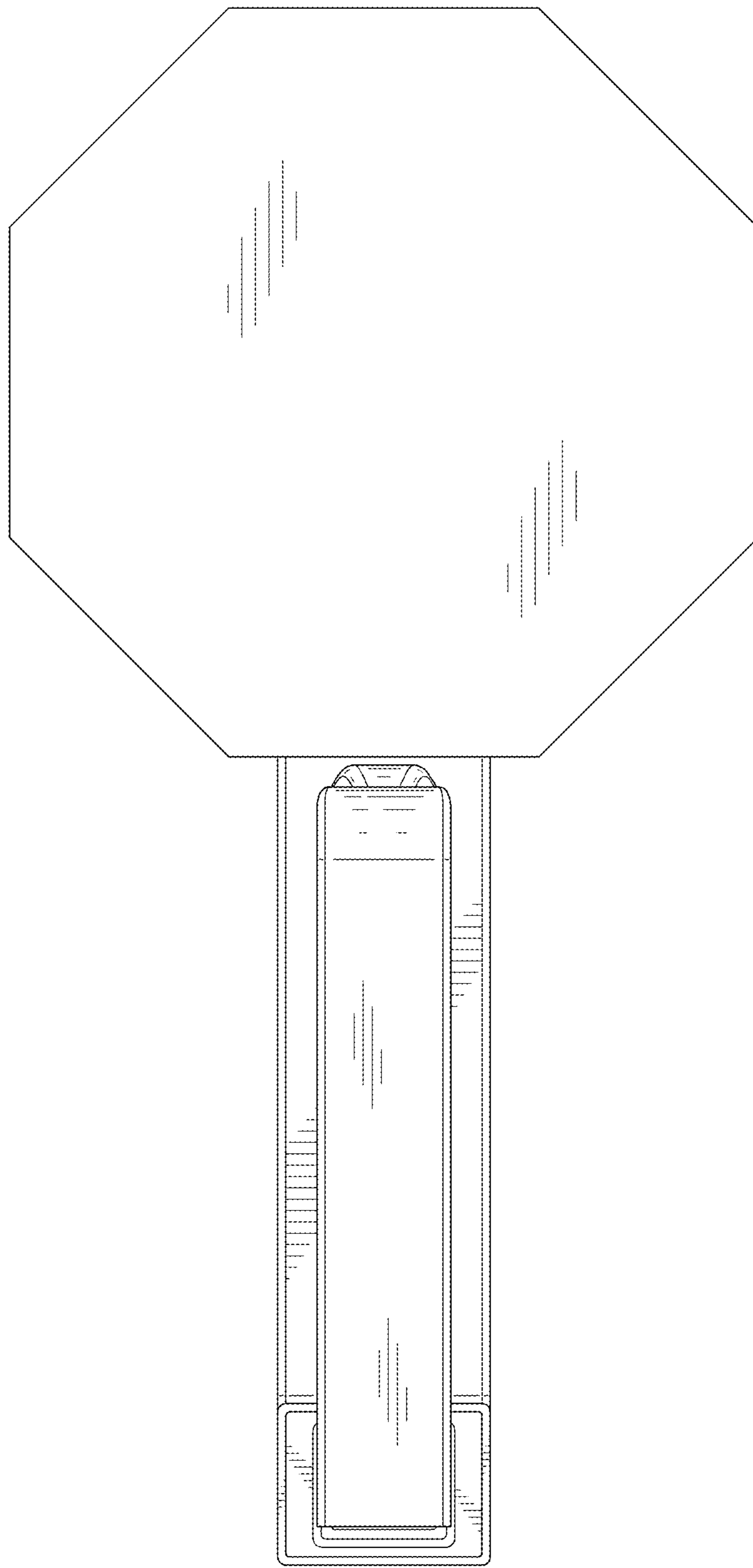


FIG. 8