



US00D906078S

(12) **United States Design Patent** (10) **Patent No.:** **US D906,078 S**
King, Jr. (45) **Date of Patent:** **** Dec. 29, 2020**

(54) **GRINDER SHROUD**
(71) Applicant: **Skitter & Squirt Adventures, LLC**,
Missoula, MT (US)
(72) Inventor: **Jack M. King, Jr.**, Phoenix, AZ (US)
(73) Assignee: **Skitter & Squirt Adventires, LLC**,
Missoula, MT (US)
(**) Term: **15 Years**
(21) Appl. No.: **29/688,213**
(22) Filed: **Apr. 18, 2019**
(51) **LOC (12) Cl.** **08-05**
(52) **U.S. Cl.**
USPC **D8/70; D15/126**
(58) **Field of Classification Search**
USPC D15/122, 124, 127, 138, 139; D8/62, 70
CPC B24B 23/028; B24B 55/052; B24B 55/10;
B24B 55/102; B24B 27/08
See application file for complete search history.

D458,825 S * 6/2002 Keller D8/70
6,540,598 B1 * 4/2003 McCutchen B24B 7/186
451/350
D572,992 S * 7/2008 Reiling D8/70
D614,678 S * 4/2010 Jorgensen D15/138
D724,922 S * 3/2015 Alamilla D8/70
D742,710 S * 11/2015 Wiedemann D8/70
D743,230 S * 11/2015 Wiedemann D8/70
D802,635 S * 11/2017 Romanoff D15/138
D818,788 S * 5/2018 Dammkoehler D8/70
D876,916 S * 3/2020 Matson D8/70
D882,367 S * 4/2020 King, Jr. D8/70
D883,057 S * 5/2020 King, Jr. D8/70
D886,877 S * 6/2020 Inkster D15/126
(Continued)

(56) **References Cited**
U.S. PATENT DOCUMENTS
D162,595 S * 3/1951 Theis et al. D32/20
4,135,334 A * 1/1979 Rudiger B24B 55/102
451/456
4,899,495 A * 2/1990 Attinger B24B 55/102
451/359
5,125,190 A * 6/1992 Buser B24B 55/102
451/359
D334,330 S * 3/1993 Moshammer D8/70
5,527,207 A * 6/1996 Azar B24B 55/102
451/344
D376,526 S * 12/1996 Hepburn D8/70
D407,617 S * 4/1999 Cooper D8/66
6,027,399 A * 2/2000 Stewart B24B 23/02
451/353
D421,703 S * 3/2000 Isaksen D8/70

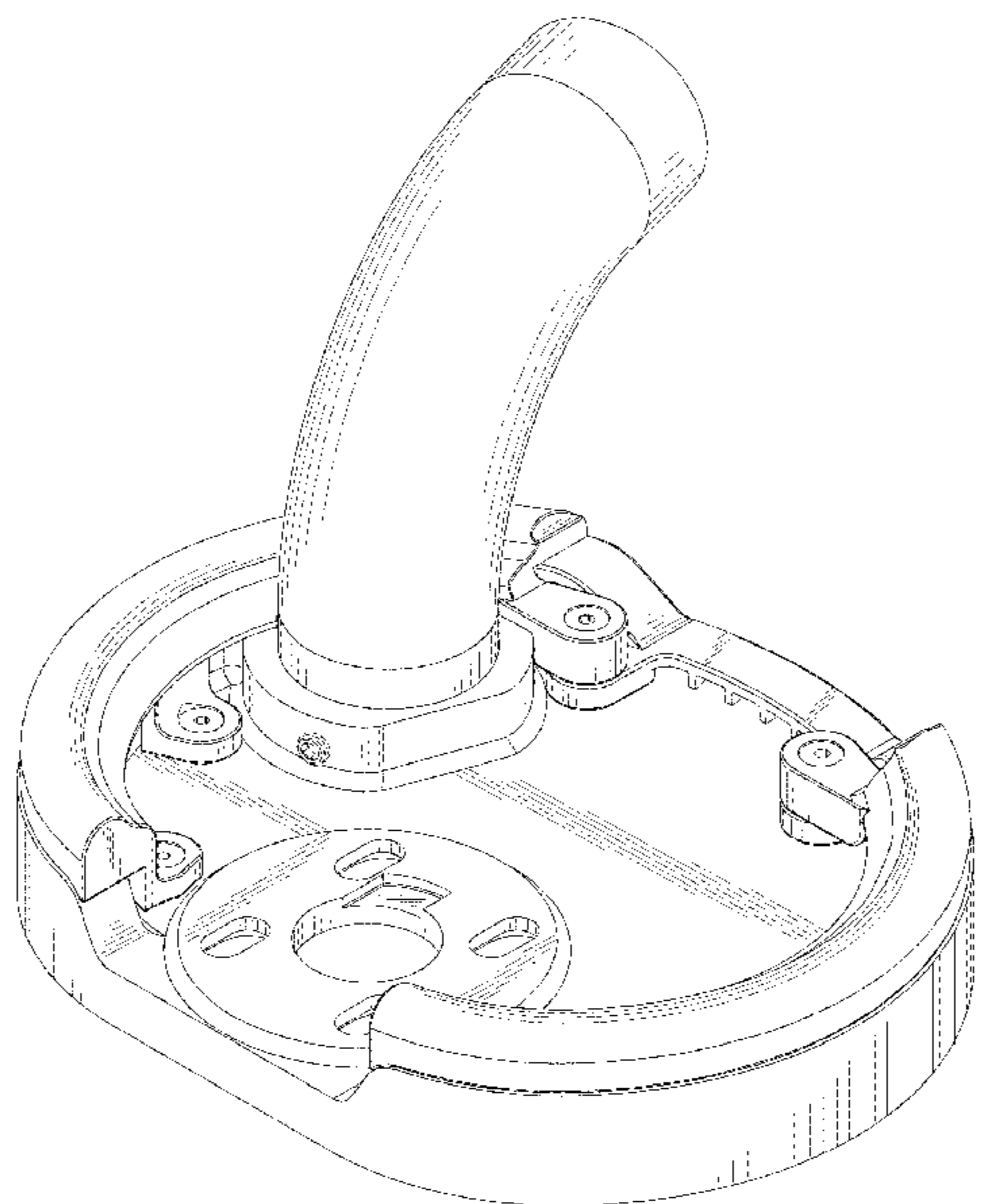
OTHER PUBLICATIONS
Jack King, Dust Free Carpet Removal & Concrete Grinding by
Arizona Home Floors, (uploaded Jul. 30, 2019), YouTube.com,
URL<<https://www.youtube.com/watch?v=Phlf0uumKhk>> (Year:
2019).*
(Continued)

Primary Examiner — Sheryl Lane
Assistant Examiner — Mark T. Philipps
(74) *Attorney, Agent, or Firm* — Lisa Foundation Patent
Law Clinic at Arizona State University

(57) **CLAIM**
The ornamental design for a grinder shroud, as shown.

DESCRIPTION
FIG. 1 is a front view depicting a grinder shroud.
FIG. 2 is a top view depicting the grinder shroud.
FIG. 3 is a right side view depicting the grinder shroud.
FIG. 4 is a left side view depicting the grinder shroud.
FIG. 5 is a rear view depicting the grinder shroud.
FIG. 6 is a bottom view depicting the grinder shroud; and,
FIG. 7 is an isometric view depicting grinder shroud.

1 Claim, 7 Drawing Sheets



(56)

References Cited

U.S. PATENT DOCUMENTS

2003/0013396 A1* 1/2003 Sun B24B 55/102
451/456
2009/0181605 A1* 7/2009 Loveless B24B 55/102
451/456
2009/0181606 A1* 7/2009 Loveless B23Q 11/0046
451/456
2009/0186559 A1* 7/2009 Loveless B24B 55/10
451/28
2010/0285729 A1* 11/2010 Loveless B24B 55/04
451/456
2011/0021121 A1* 1/2011 Loveless B24B 23/028
451/456
2013/0137347 A1* 5/2013 Chen B24B 55/102
451/359
2013/0137348 A1* 5/2013 Chen B24B 55/102
451/453
2014/0342645 A1* 11/2014 Tagscherer B24B 55/052
451/451
2014/0352106 A1* 12/2014 King, Jr. A47L 9/02
15/415.1
2019/0321940 A1* 10/2019 King, Jr. B28D 7/02
2020/0139508 A1* 5/2020 Ohlendorf B24B 55/102

OTHER PUBLICATIONS

DustRam, Dust Free Tile Removal Tools® & Flooring Removal Products—480-428-3880, (site visited Aug. 12, 2020), Dustram.com, URL:<<https://www.dustram.com/products/>> (Year: 2020).*

* cited by examiner

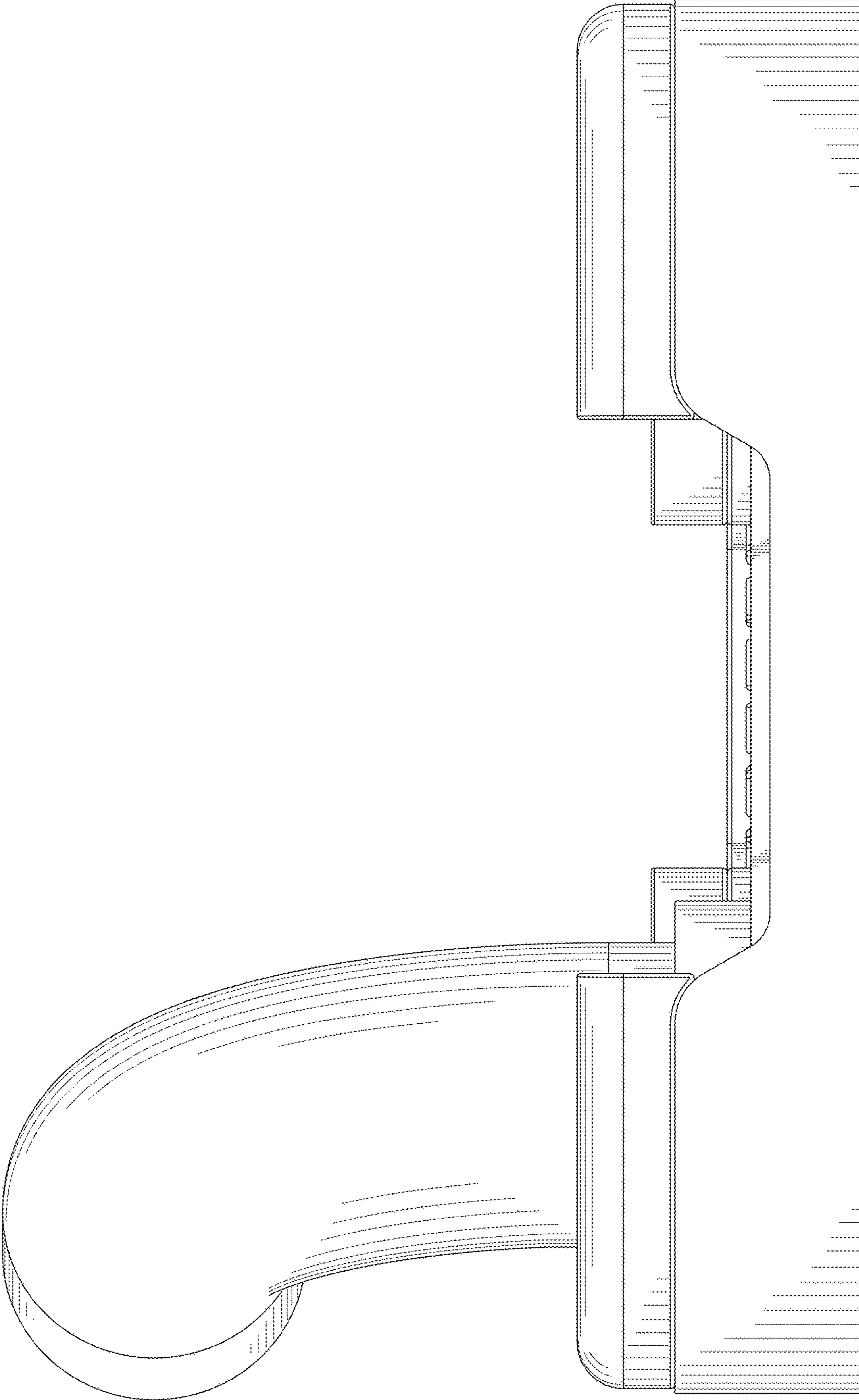


FIG. 1

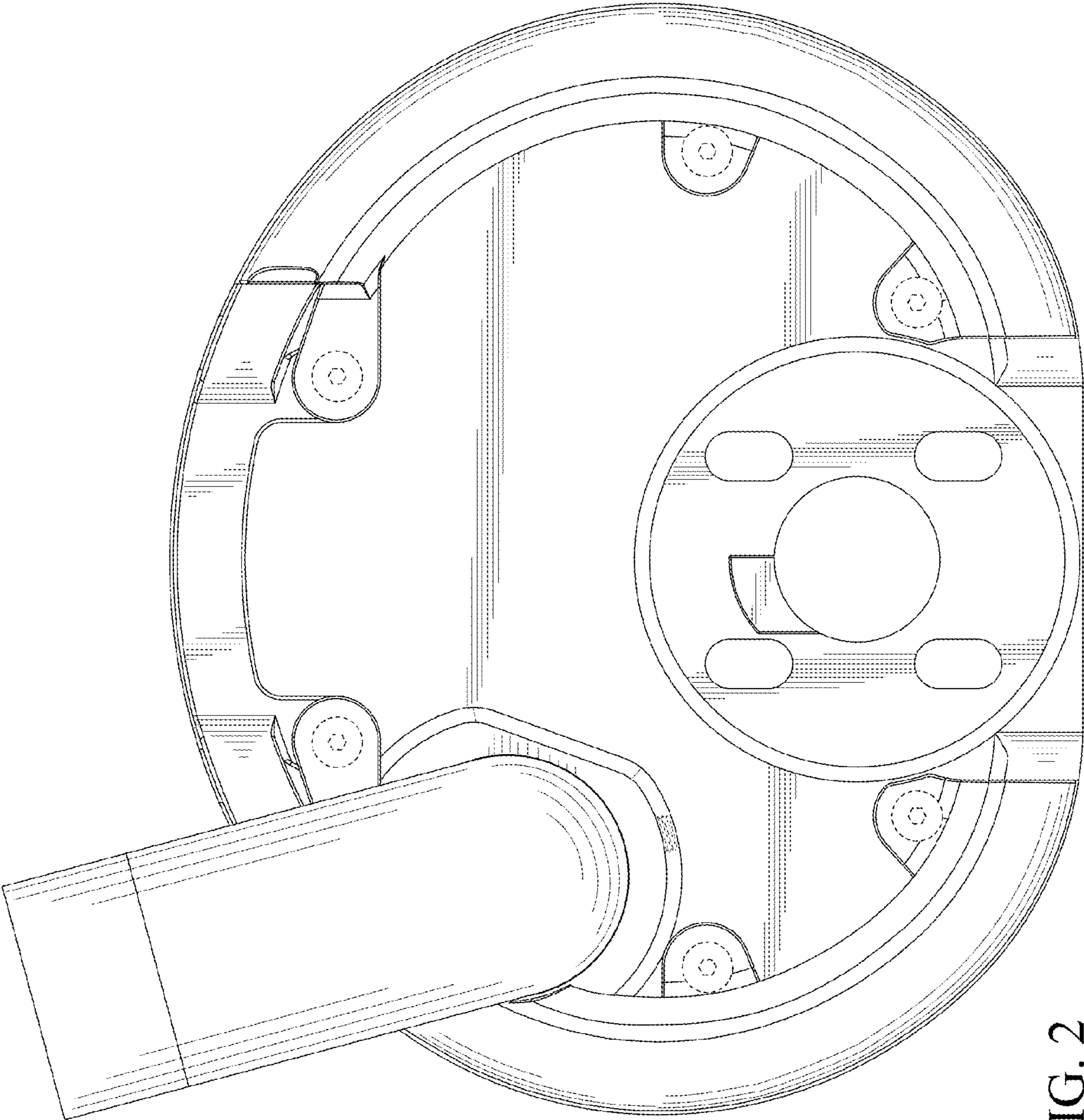


FIG. 2

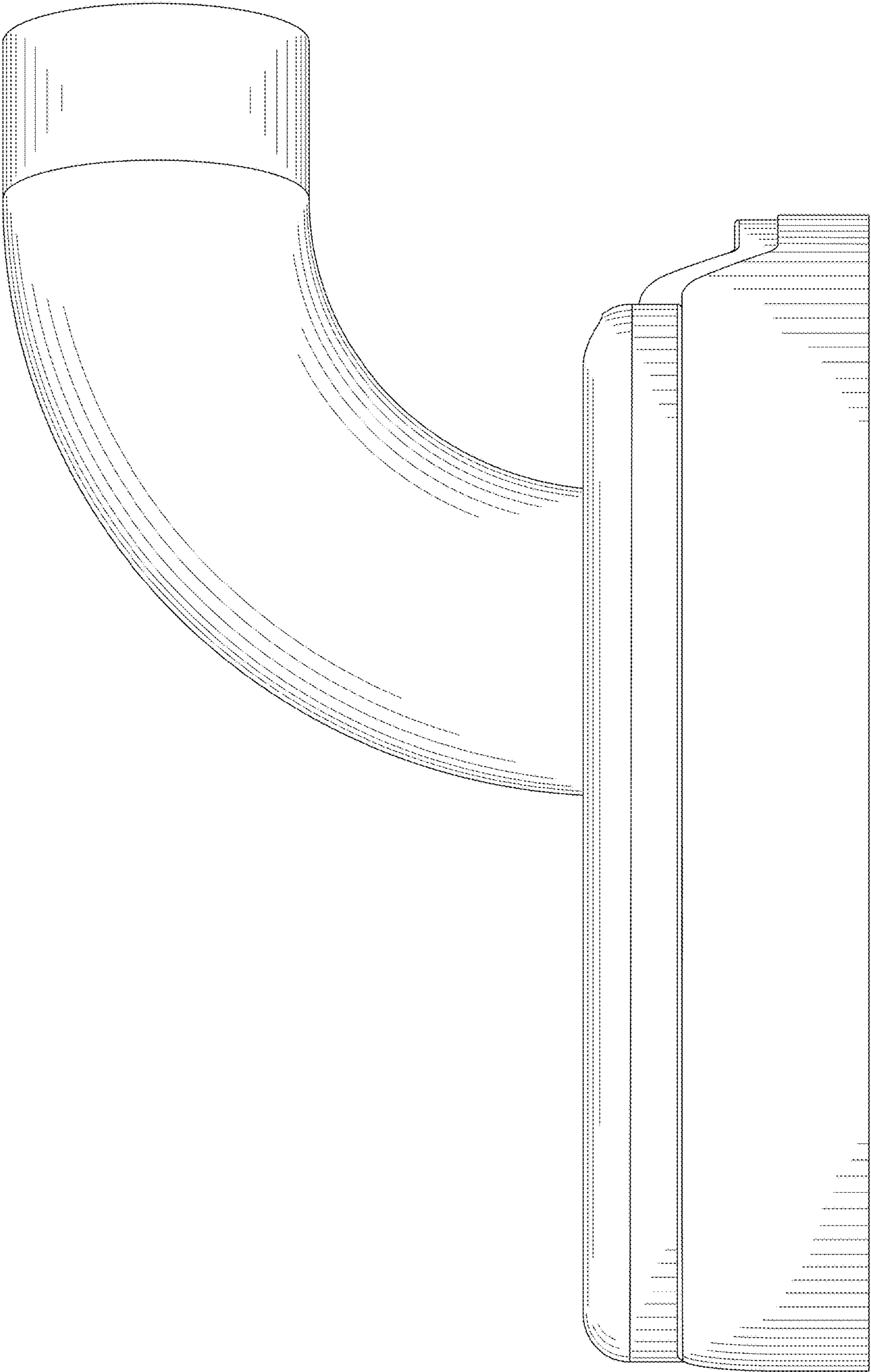


FIG. 3

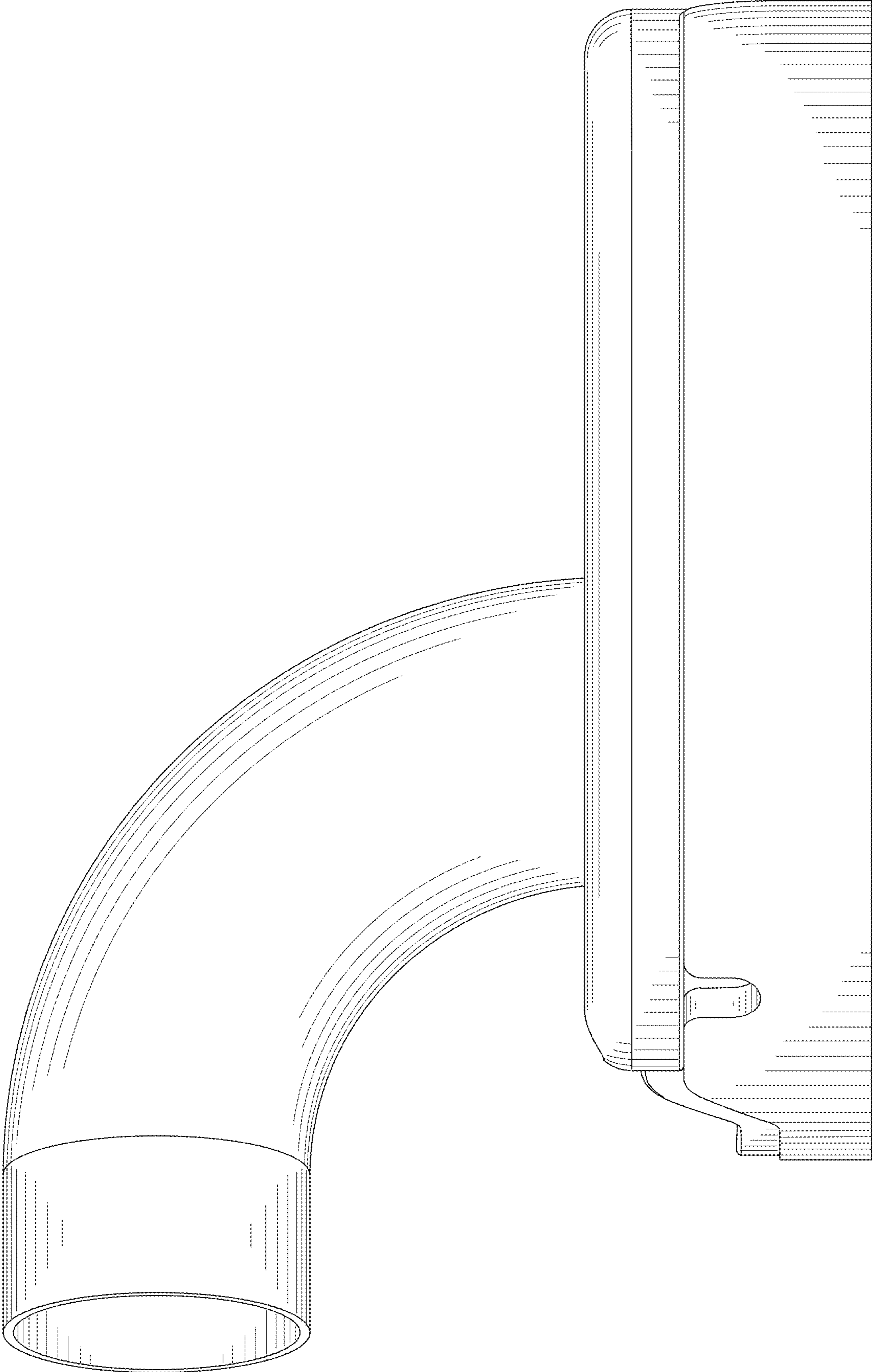


FIG. 4

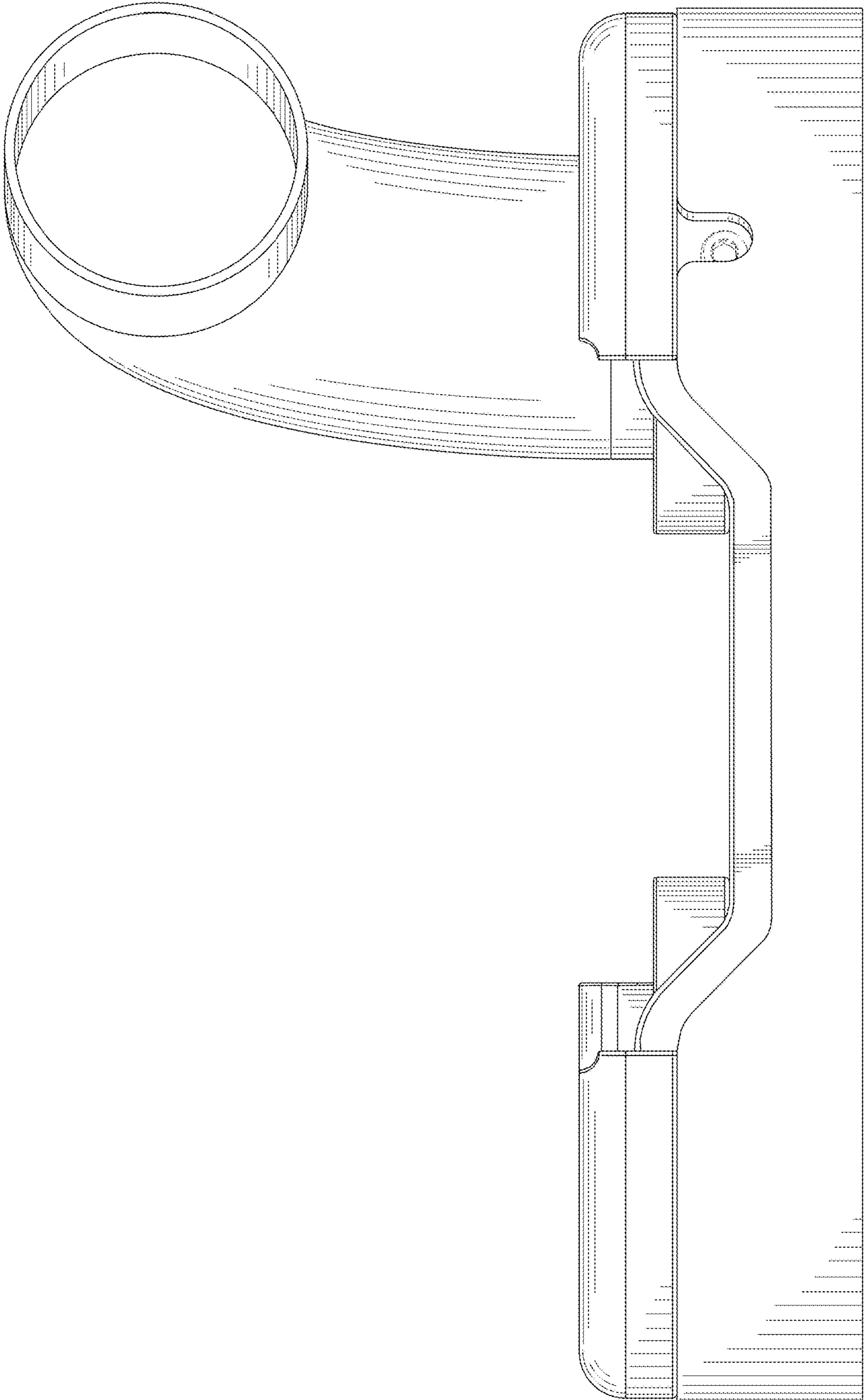


FIG. 5

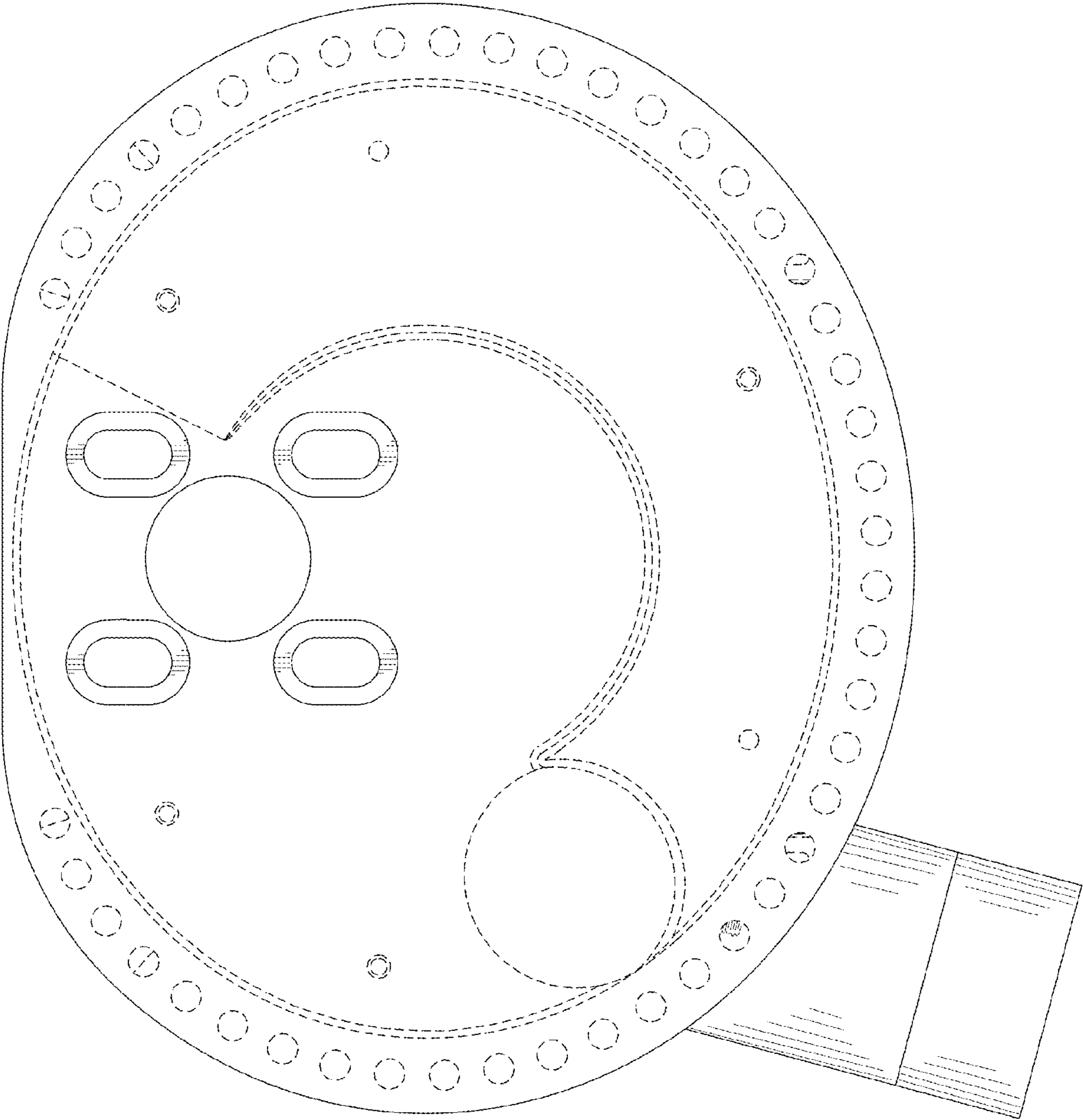


FIG. 6

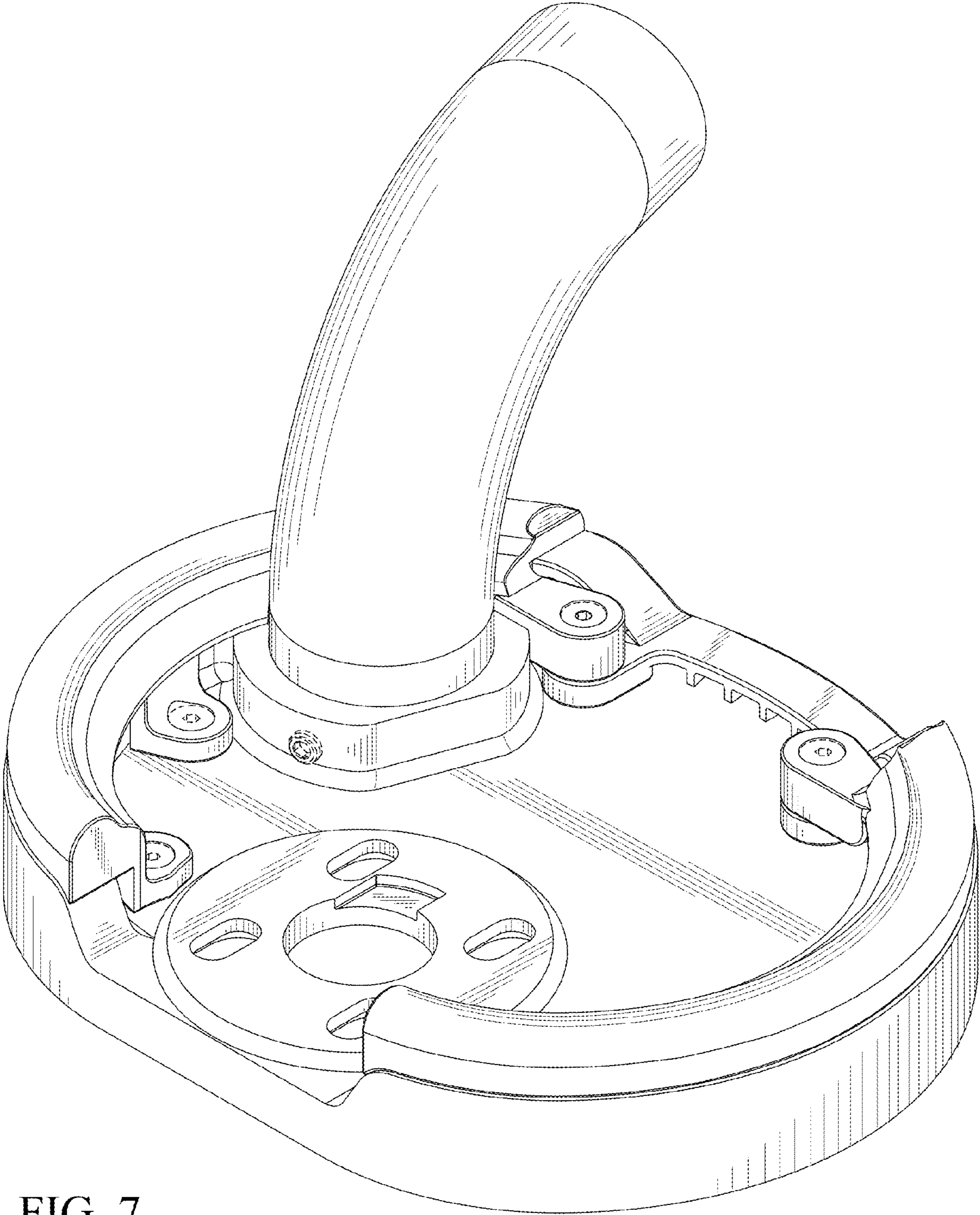


FIG. 7