



US00D906070S

(12) **United States Design Patent** (10) **Patent No.:** **US D906,070 S**  
**Carter et al.** (45) **Date of Patent:** **\*\* Dec. 29, 2020**

(54) **POWERED RATCHET**

FOREIGN PATENT DOCUMENTS

(71) Applicant: **MILWAUKEE ELECTRIC TOOL CORPORATION**, Brookfield, WI (US)

CN 302935240 \* 5/2014  
CN 303436101 \* 8/2015

(Continued)

(72) Inventors: **Adam N. Carter**, Milwaukee, WI (US);  
**Hans T. Banholzer**, Milwaukee, WI (US); **Hugh A. Dales**, Germantown, WI (US)

OTHER PUBLICATIONS

(73) Assignee: **Milwaukee Electric Tool Corporation**, Brookfield, WI (US)

ACDelco, ACDelco Tools Brushless 1/4-Inch Ratchet Wrench Li-Ion 12V Cordless, 45 Ft-lbs, Date first available Nov. 19, 2018, [online]retrieved Apr. 16, 2020, available from internet, www.amazon.com (Year: 2018).\*

(Continued)

(\*\*) Term: **15 Years**

(21) Appl. No.: **29/678,008**

*Primary Examiner* — Keli L Hill

(22) Filed: **Jan. 25, 2019**

*Assistant Examiner* — Sara S Sahneh

(51) **LOC (12) Cl.** ..... **08-05**

(74) *Attorney, Agent, or Firm* — Michael Best & Friedrich LLP

(52) **U.S. Cl.**

USPC ..... **D8/25; D8/22**

(58) **Field of Classification Search**

USPC ..... D8/21–29, 29.1, 114, 499, 321, 81, 52, D8/61, 107, 57, 346, 334, 333, 72–75, D8/393–395, 63, 93, 14, 330, 336, 400, D8/349, 467, 356, 692, 693, 17, 367, 368, D8/369, 370, 371; 16/87.4 R, 87.2; 81/119, 177.1, 177.2, 57.5, 478, 177.7, 81/177.8, 166

(57) **CLAIM**

CPC ..... B25B 13/08; B25B 13/00; B25B 13/481; B25B 13/56; B25B 23/16; B25B 13/06; B25B 23/0035; B25B 15/001; B25B 13/065; B25B 23/0021; B25B 15/008; B25G 1/043; B25G 1/005; B25G 1/063; B25G 1/085; B25G 1/066; B25G 1/102;

We claim the ornamental design for a powered ratchet, as shown and described.

(Continued)

**DESCRIPTION**

(56) **References Cited**

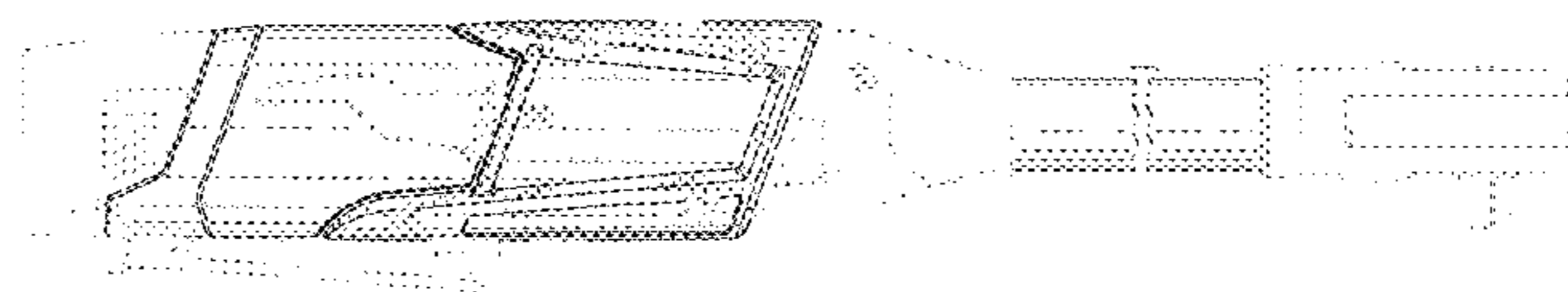
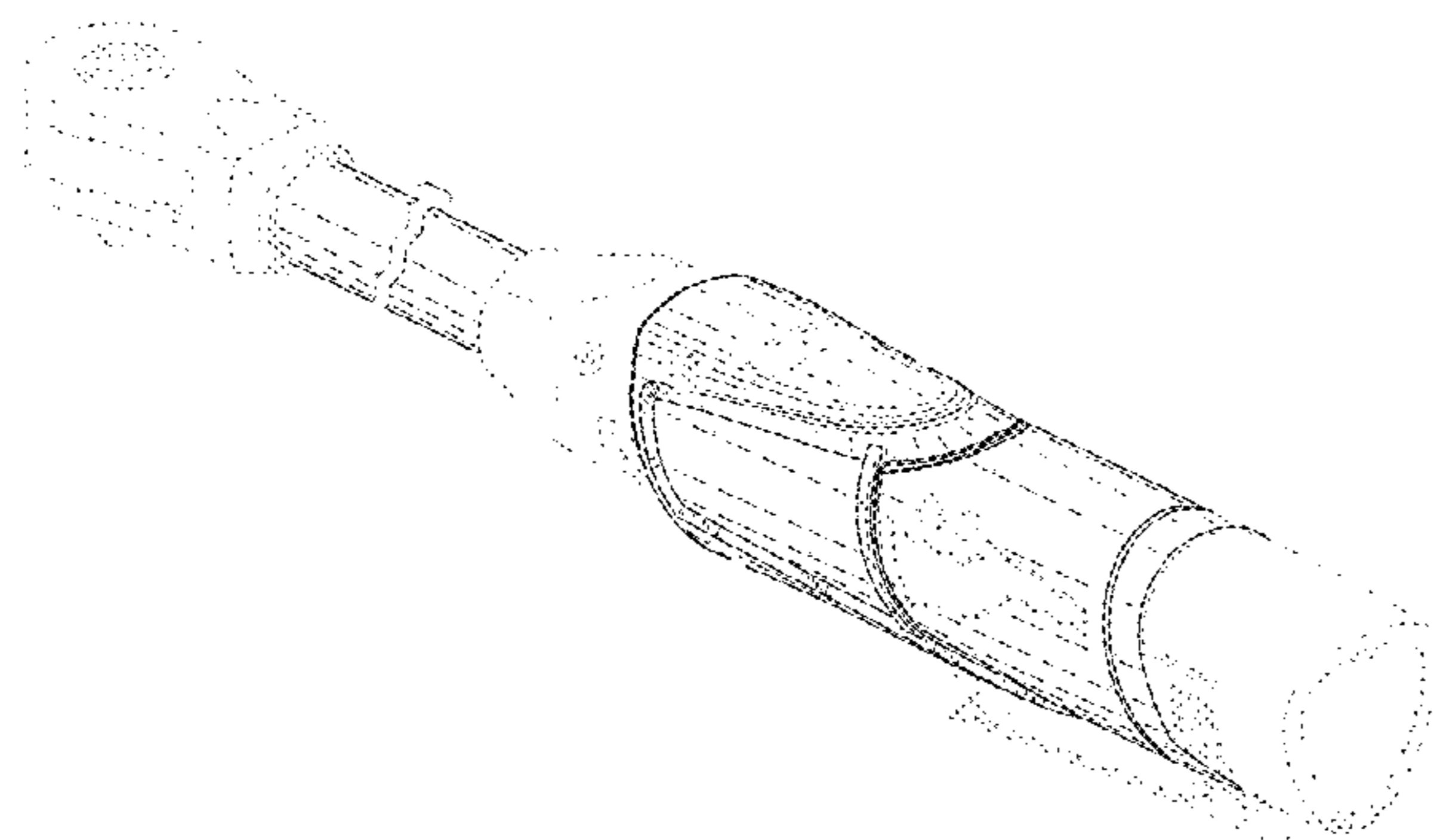
U.S. PATENT DOCUMENTS

D289,135 S \* 4/1987 Doman ..... D8/25  
4,821,611 A 4/1989 Izumisawa  
D380,131 S \* 6/1997 Sung ..... D8/25

FIG. 1 is a perspective view of a powered ratchet, showing our new design.  
FIG. 2 is a left side view of the powered ratchet of FIG. 1.  
FIG. 3 is a right side view of the powered ratchet of FIG. 1.  
FIG. 4 is a front view of the powered ratchet of FIG. 1.  
FIG. 5 is a rear view of the powered ratchet of FIG. 1.  
FIG. 6 is a top view of the powered ratchet of FIG. 1; and, FIG. 7 is a bottom view of the powered ratchet of FIG. 1. The broken line showing of powered ratchet is included for the purpose of illustrating portions of the powered ratchet and forms no part of the claimed design.

(Continued)

**1 Claim, 4 Drawing Sheets**



(58) **Field of Classification Search**  
 CPC ..... A47H 13/01; A47H 15/04; A47H 13/04;  
 A47K 3/38  
 See application file for complete search history.

(56) **References Cited**

U.S. PATENT DOCUMENTS

D380,949	S	*	7/1997	Sung	.....	D8/25
D387,960	S	*	12/1997	Sung	.....	D8/25
D389,025	S	*	1/1998	Sung	.....	D8/25
6,282,990	B1		9/2001	Miner		
D449,212	S	*	10/2001	Price	.....	D8/107
D456,232	S	*	4/2002	Chen	.....	D8/25
7,121,167	B1		10/2006	Miner		
D558,015	S	*	12/2007	Aglassinger	.....	D8/61
8,096,211	B2		1/2012	Cho et al.		
8,166,852	B2		5/2012	Cheng		
8,261,849	B2		9/2012	Kobayashi		
8,480,453	B2		7/2013	Kobayashi		
D704,524	S	*	5/2014	Steinfels	.....	D8/61
9,289,885	B2		3/2016	Kobayashi		
9,381,625	B2		7/2016	Chen et al.		
9,592,600	B2		3/2017	Seith et al.		
9,669,535	B2		6/2017	Yaschur et al.		
9,796,073	B2		10/2017	Yaschur et al.		
D873,103	S	*	1/2020	Chen	.....	D8/61
D879,575	S	*	3/2020	Liu	.....	D8/61
2010/0064864	A1	*	3/2010	Kobayashi	.....	B25B 21/02 81/464

2011/0126676	A1	*	6/2011	Chiang	.....	B25B 21/004 81/57.11
2013/0316626	A1	*	11/2013	Yaschur	.....	B24B 23/026 451/344
2015/0202750	A1		7/2015	Kobayashi		
2018/0071901	A1		3/2018	Silha et al.		
2020/0061782	A1	*	2/2020	Banholzer	.....	B25B 13/465
2020/0215666	A1	*	7/2020	Schultz	.....	B25B 21/004

FOREIGN PATENT DOCUMENTS

DE			202009012900	U1		12/2009
EM			006644738-0003	*		7/2019
WO			9110540	A1		7/1991
WO			9414574	A1		7/1994

OTHER PUBLICATIONS

Milwaukee Electric Tools Corp, Milwaukee 2557-20 M12 Fuel 3/8" Ratchet (Bare Tool), Date first available Nov. 6, 2017, [online]retrieved Aug. 3, 2020, available from internet, www.amazon.com (Year: 2017).\*

Genius Tools, 3/8" Dr. Air Ratchet Wrench, 50 ft. lbs. / 68 Nm—305052X, Date first available Aug. 24, 2018, [online]retrieved Aug. 4, 2020, available from internet, www.amazon.com (Year: 2018).\*

HHuanyu, Air Ratchet Wrench Tools Pneumatic Spanner 1/2 or 3/4" Date first available Jul. 4, 2018, [online]retrieved Aug. 4, 2020, available from internet, www.amazon.com (Year: 2018).\*

\* cited by examiner

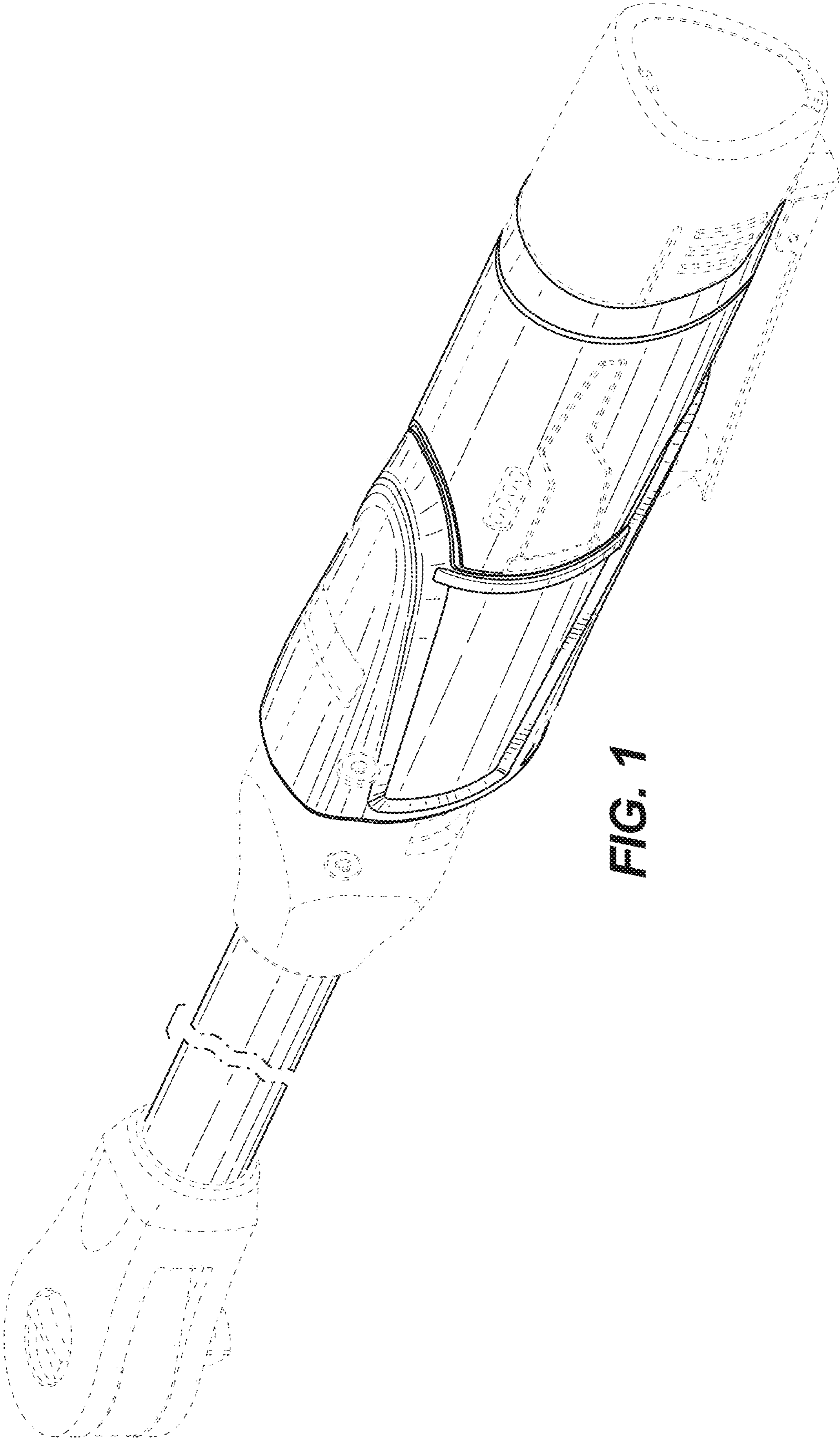


FIG. 1



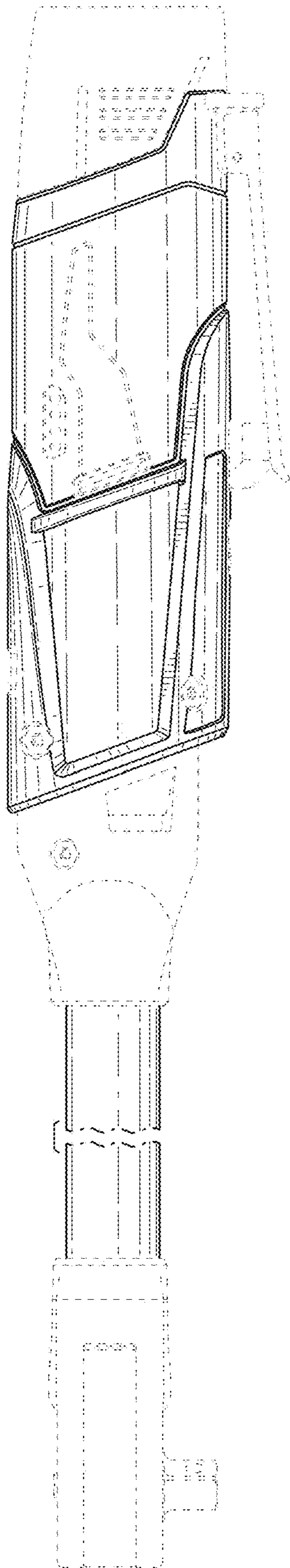


FIG. 2

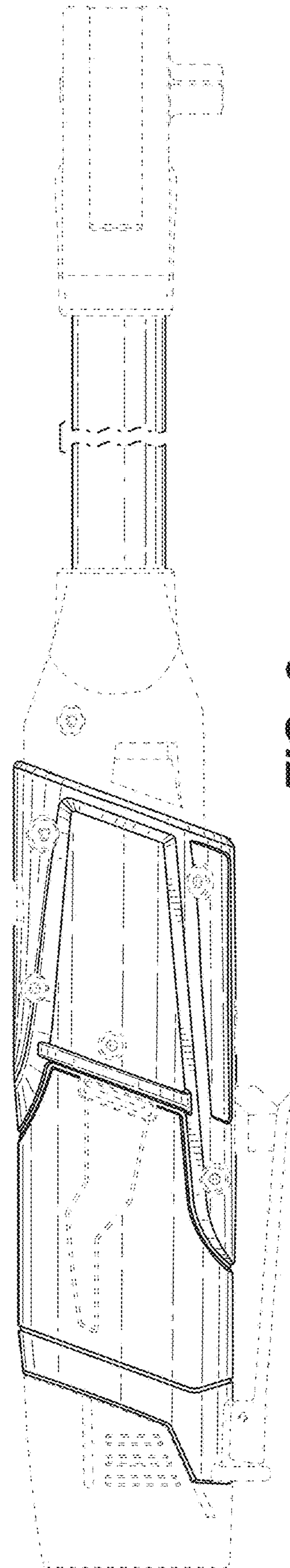
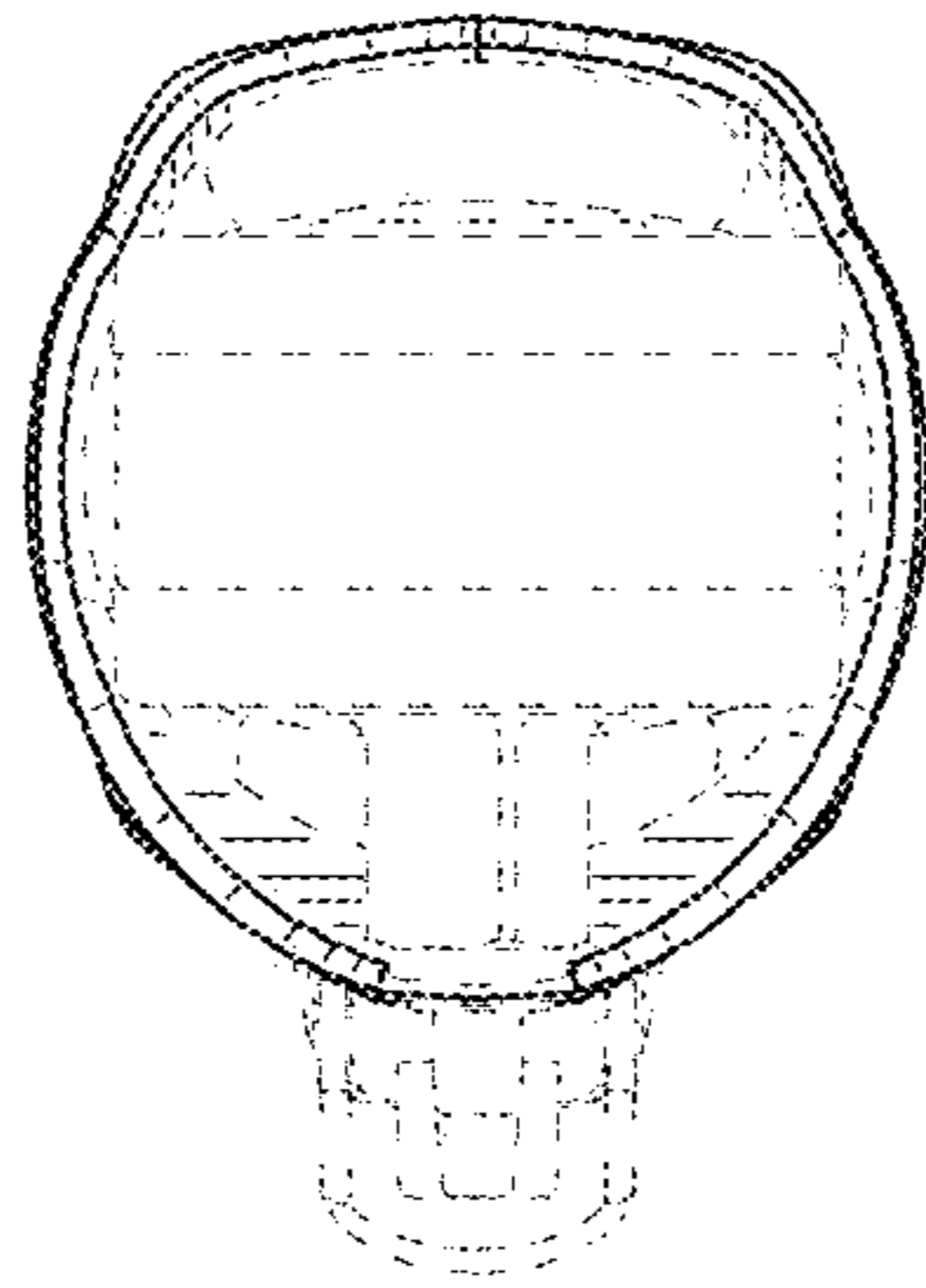
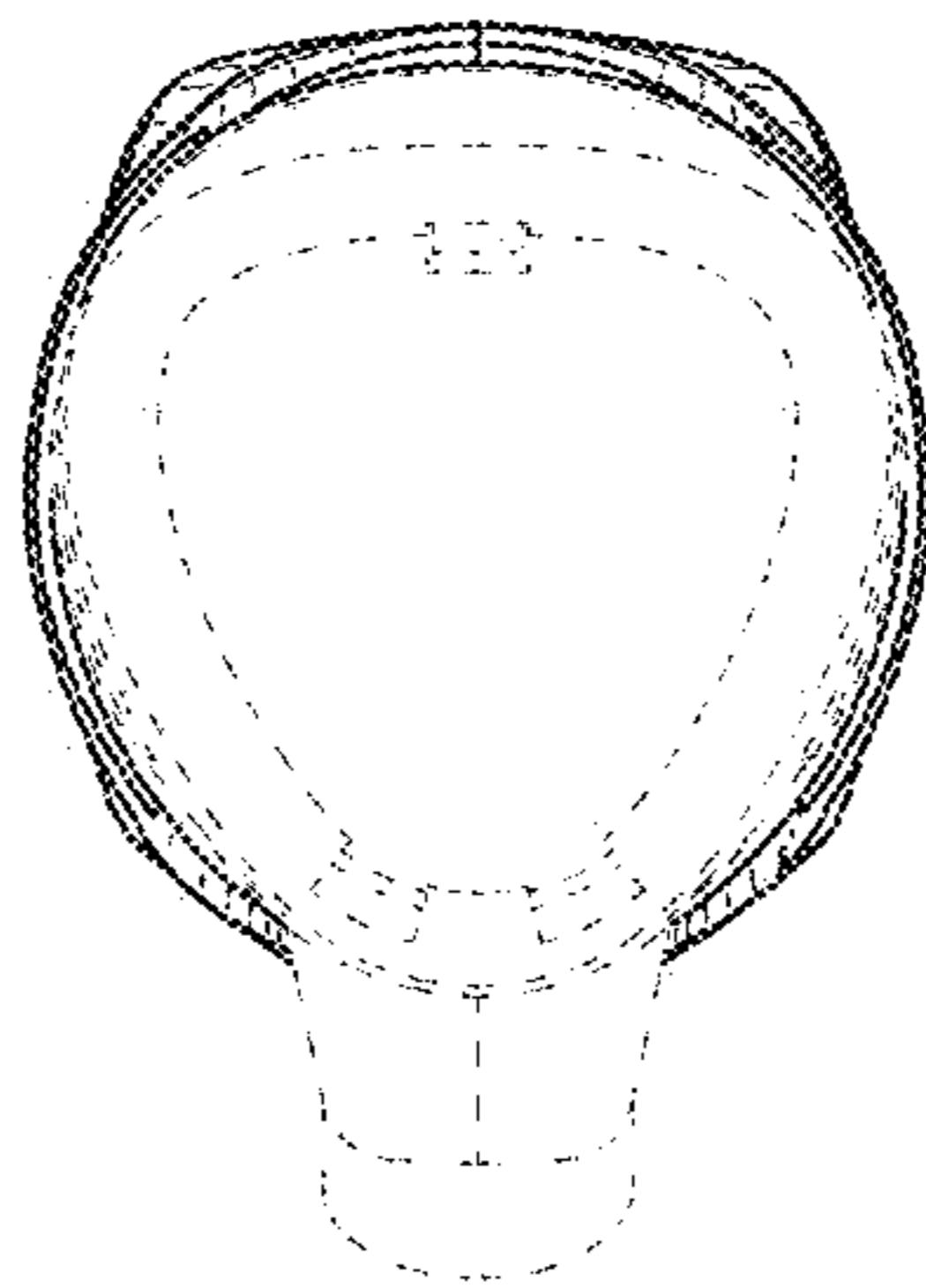


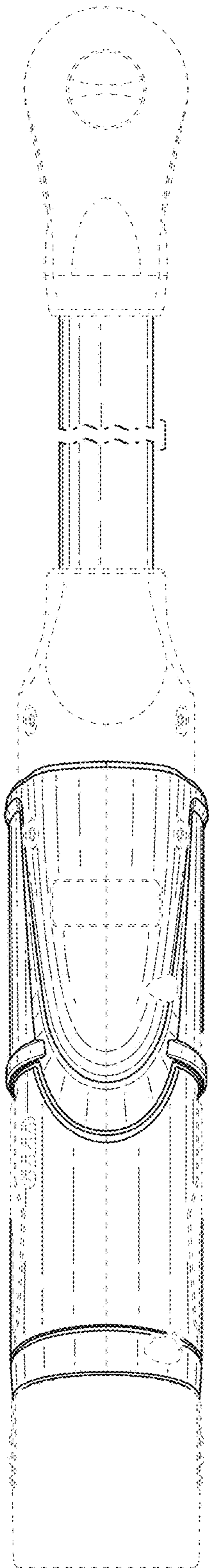
FIG. 3



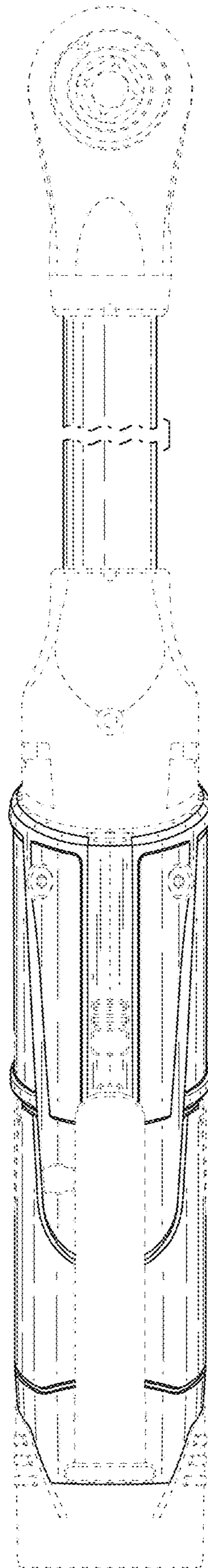
**FIG. 4**



**FIG. 5**



**FIG. 6**



**FIG. 7**