



US00D906069S

(12) **United States Design Patent** (10) **Patent No.:** **US D906,069 S**
Tevel (45) **Date of Patent:** **** Dec. 29, 2020**

(54) **DAPPING BLOCK AND PUNCH**
(71) Applicant: **Wolter Corp.**, Edgewood, NY (US)
(72) Inventor: **Guy Tevel**, Ramat-Gan (IL)
(73) Assignee: **WOLTER CORP.**, Edgewood, NJ (US)
(**) Term: **15 Years**
(21) Appl. No.: **29/697,929**
(22) Filed: **Jul. 12, 2019**
(51) **LOC (12) Cl.** **08-05**
(52) **U.S. Cl.**
USPC **D8/14; D8/75; D15/136**
(58) **Field of Classification Search**
USPC D8/14, 45, 46, 47, 75, 107; D15/136;
D24/220; D7/679
CPC A61J 7/0007
See application file for complete search history.

(56) **References Cited**

U.S. PATENT DOCUMENTS

1,878,263 A * 9/1932 Chott A61C 5/68
241/199.9
D231,923 S * 6/1974 Johnsrud et al. D24/220
D643,446 S * 8/2011 Gupta D15/136
D883,512 S * 5/2020 Zhou D24/220

OTHER PUBLICATIONS

Amazon.com, Vintag Tools Dapping Block with punches, Reviewed Jul. 20, 2015.*
Amazon.com, PMC Dapping block, Reviewed May 24, 2018.*
Amazon.com Splenor Dapping Block, Reviews from 2018.*

* cited by examiner

Primary Examiner — Philip S Hyder

(74) *Attorney, Agent, or Firm* — Scully, Scott, Murphy & Presser, P.C.

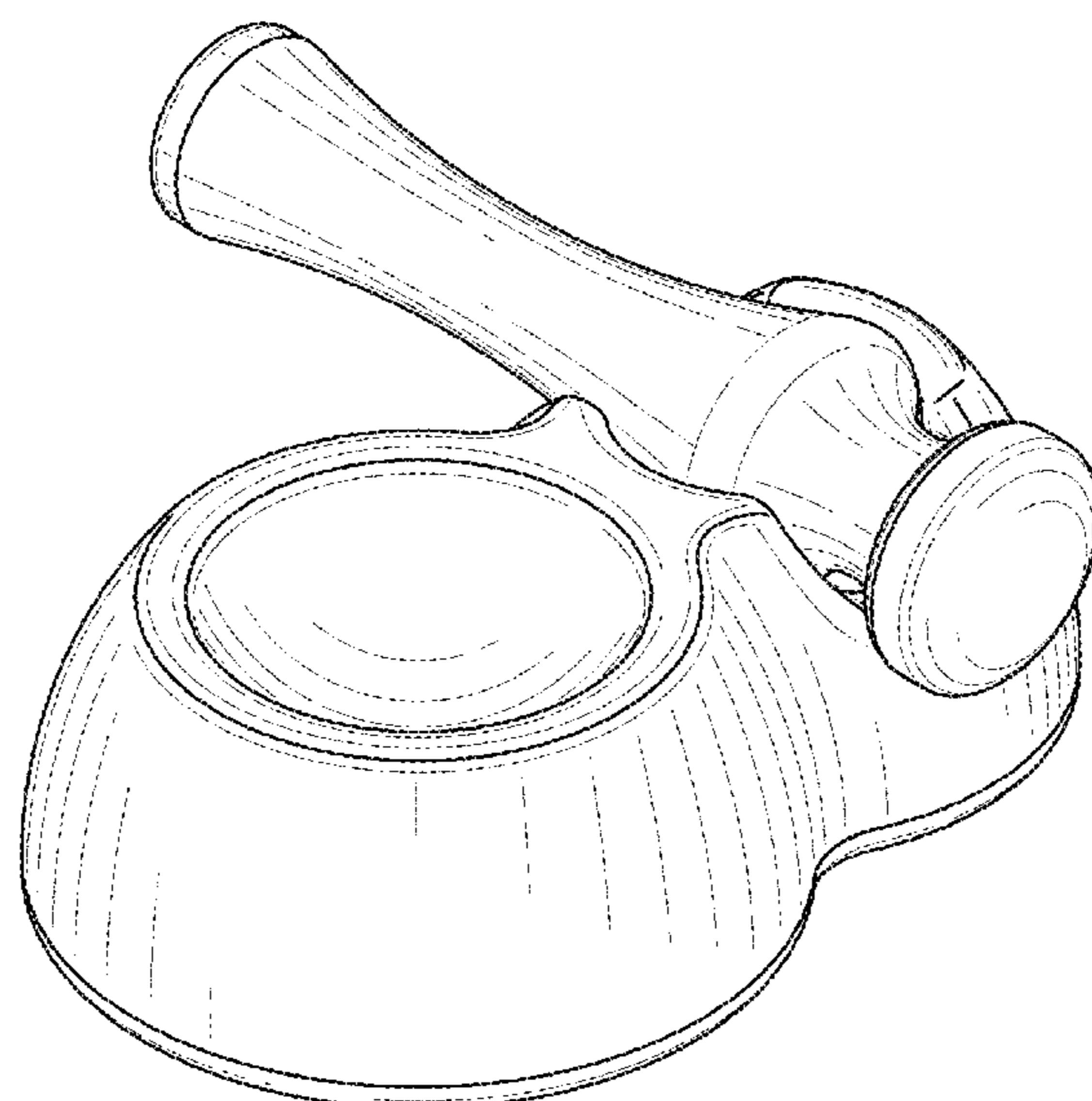
(57) **CLAIM**

The ornamental design for a dapping block and punch, as shown.

DESCRIPTION

FIG. 1 is a perspective view of a dapping block and punch, showing our new design, wherein the punch is shown in a horizontal storage position;
FIG. 2 is a right side elevational view thereof, wherein the punch is shown in an upright storage position;
FIG. 3 is a left side elevational view thereof, wherein the punch is shown in an upright storage position;
FIG. 4 is a front elevational thereof, wherein the punch is shown in an upright storage position;
FIG. 5 is a rear elevational thereof, wherein the punch is shown in an upright storage position;
FIG. 6 is a top plan view thereof, wherein the punch is shown in an upright storage position;
FIG. 7 is a bottom plan view thereof, wherein the punch is in an upright storage position;
FIG. 8 is a right side elevational view thereof, wherein the punch is separated from the dapping block;
FIG. 9 is a left side elevational view thereof, wherein the punch is separated from the dapping block;
FIG. 10 is a front elevational view thereof, wherein the punch is separated from the dapping block;
FIG. 11 is a rear elevational view thereof, wherein the punch is separated from the dapping block;
FIG. 12 is a top plan view thereof, wherein the punch is separated from the dapping block;
FIG. 13 is a bottom plan view thereof, wherein the punch is separated from the dapping block;
FIG. 14 is a perspective view thereof, wherein the punch is separated from the dapping block;
FIG. 15 is a top perspective view thereof, wherein the punch is shown the upright storage position; and,
FIG. 16 is a bottom perspective view thereof, wherein the punch is separated from the dapping block.

1 Claim, 14 Drawing Sheets



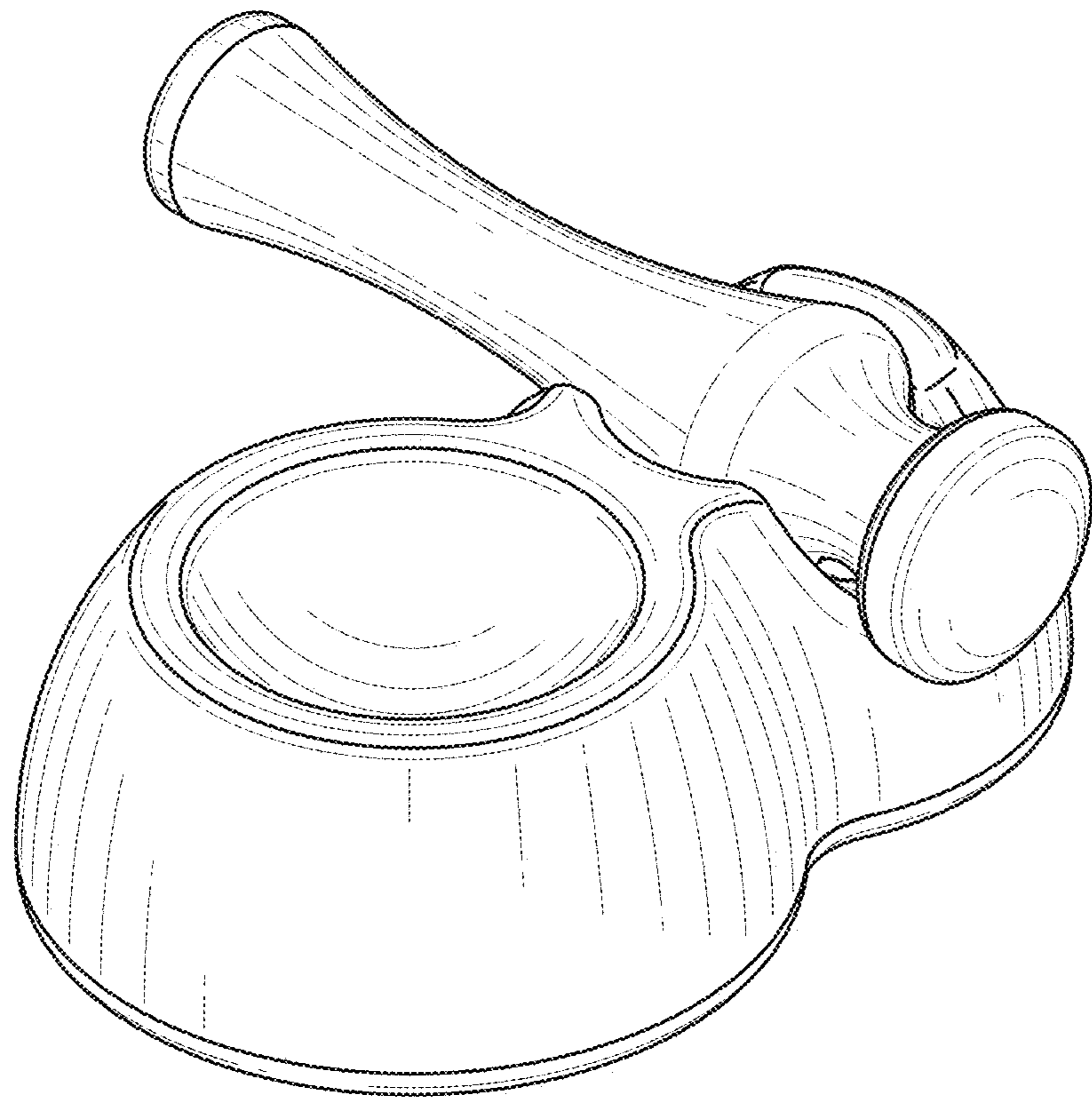


FIG. 1

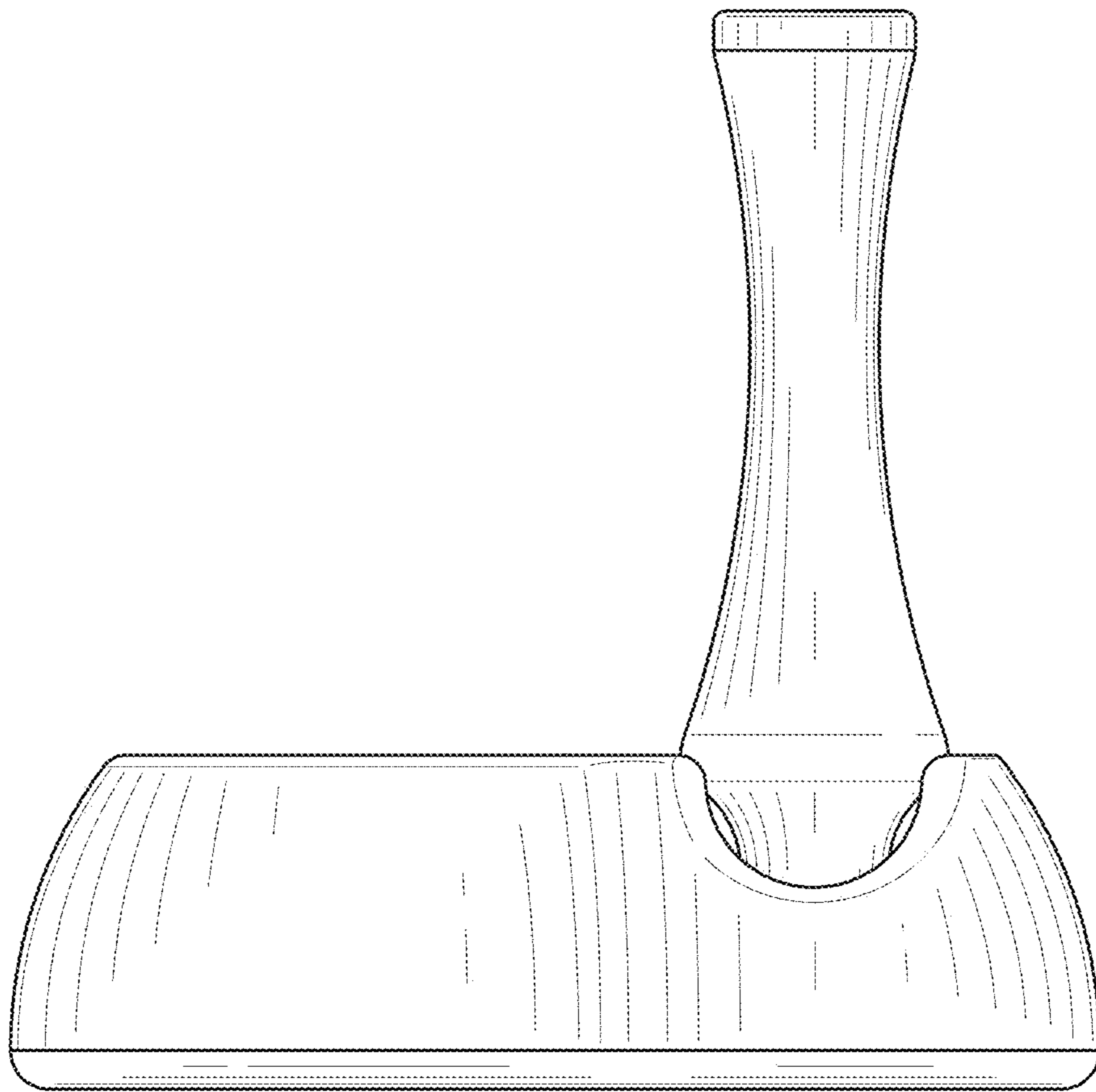


FIG. 2

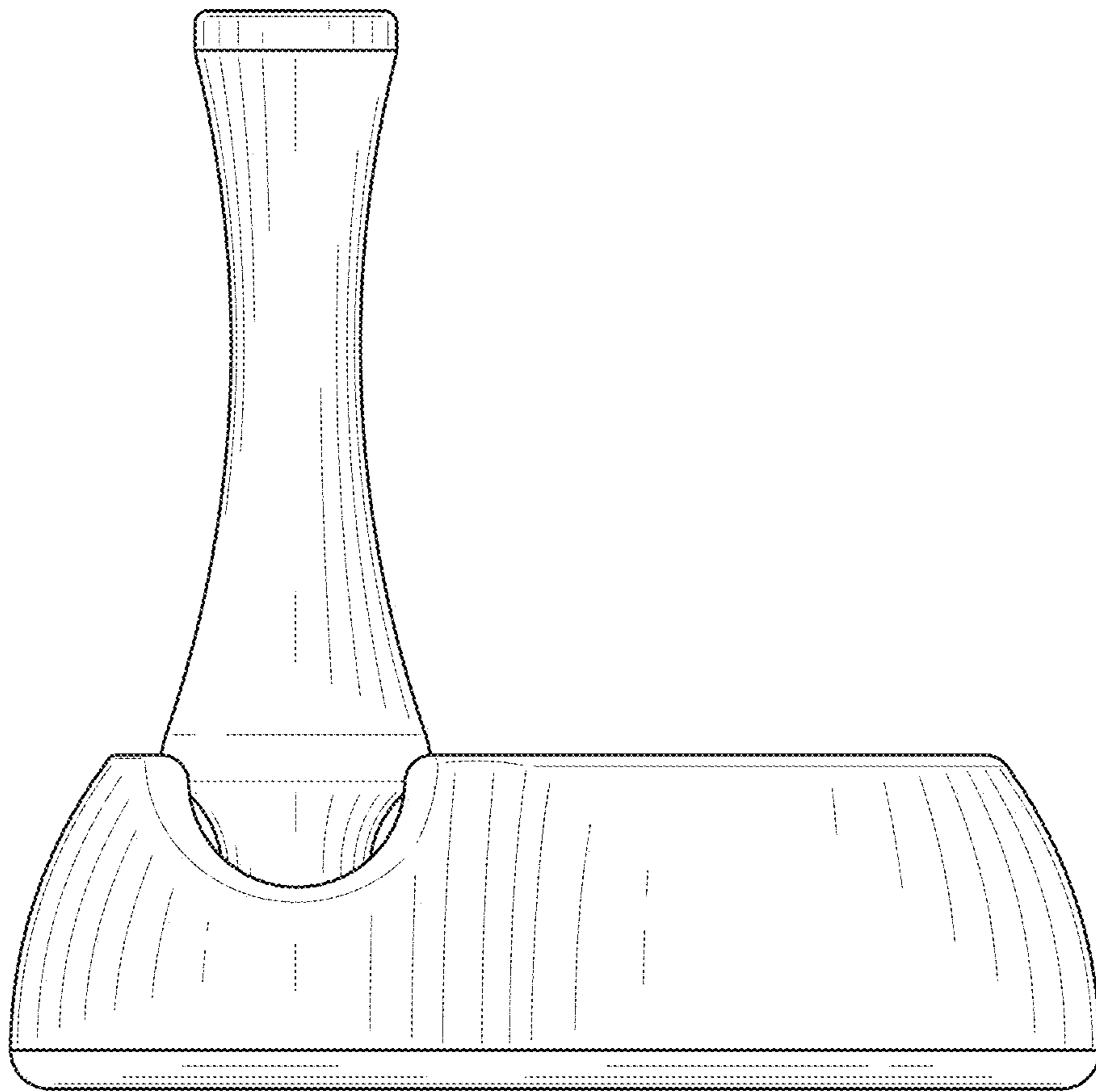


FIG. 3

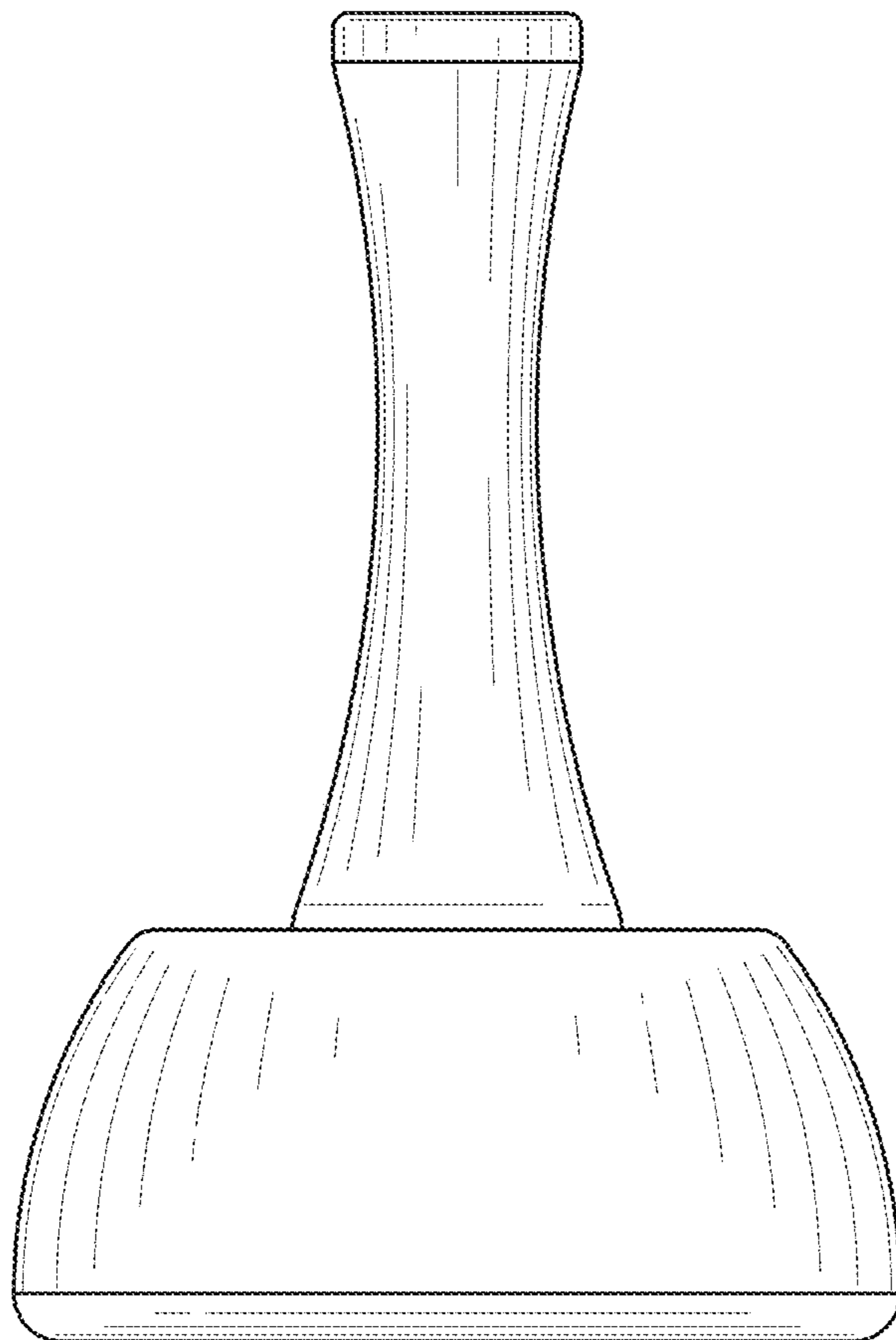


FIG. 4

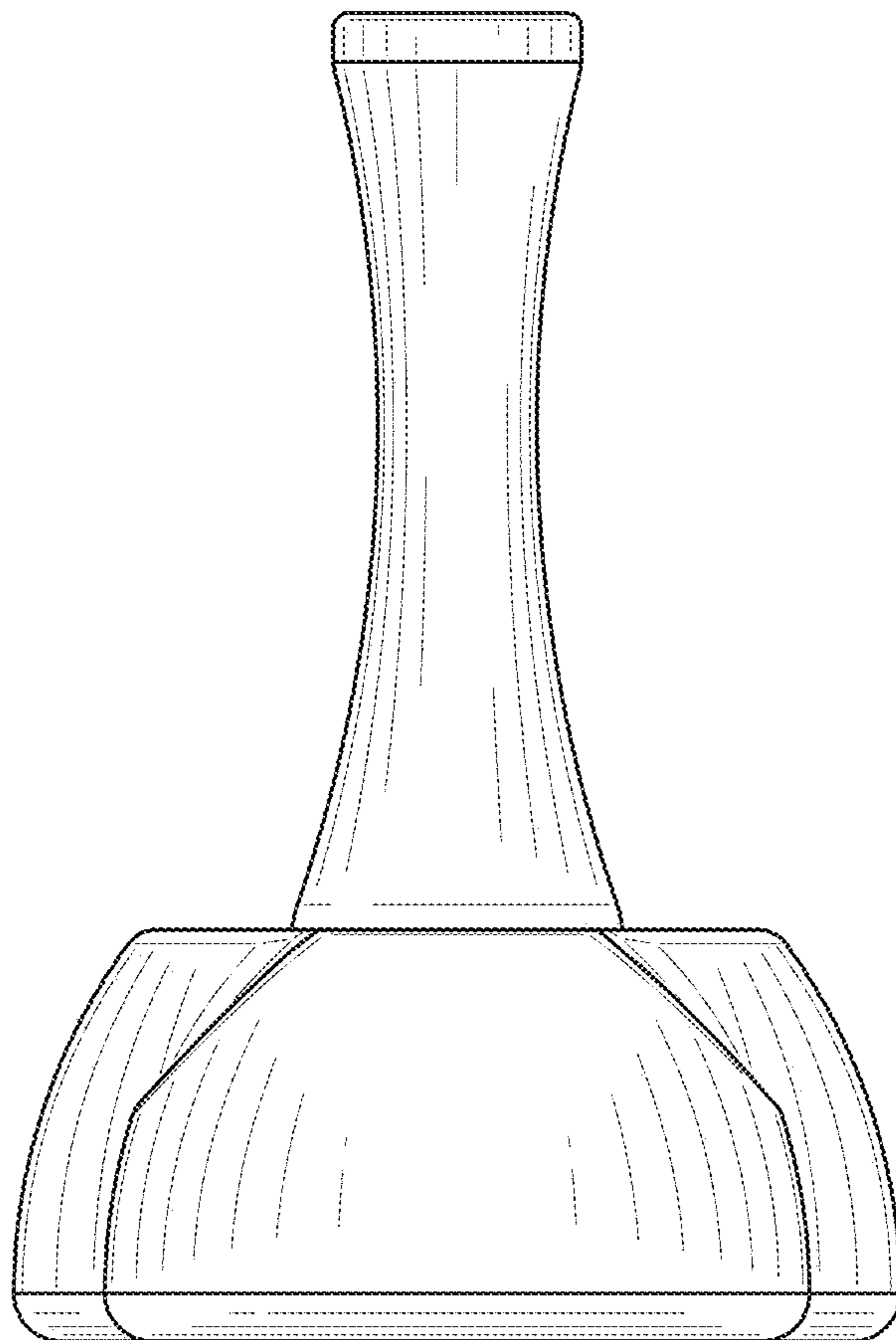


FIG. 5

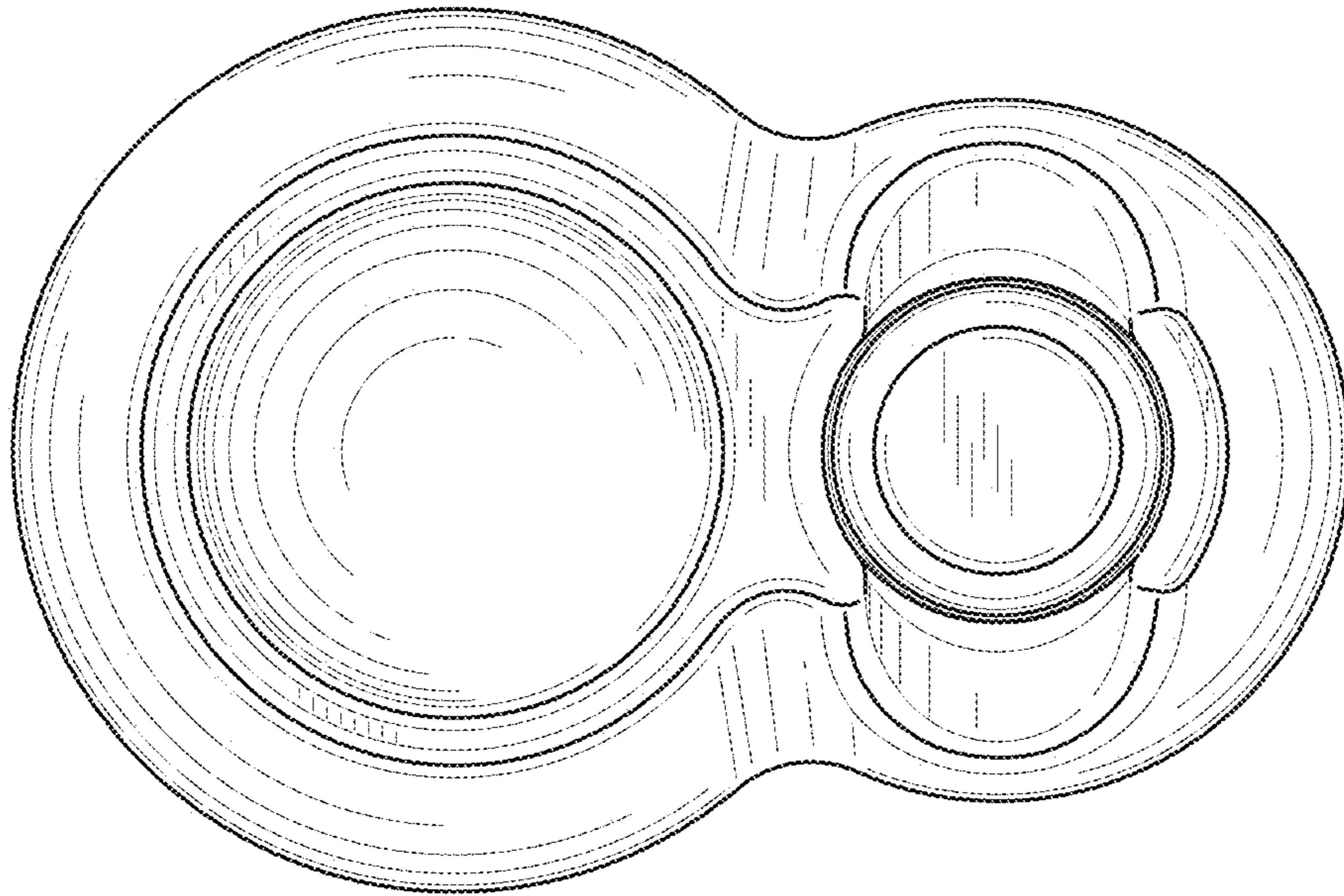


FIG. 6

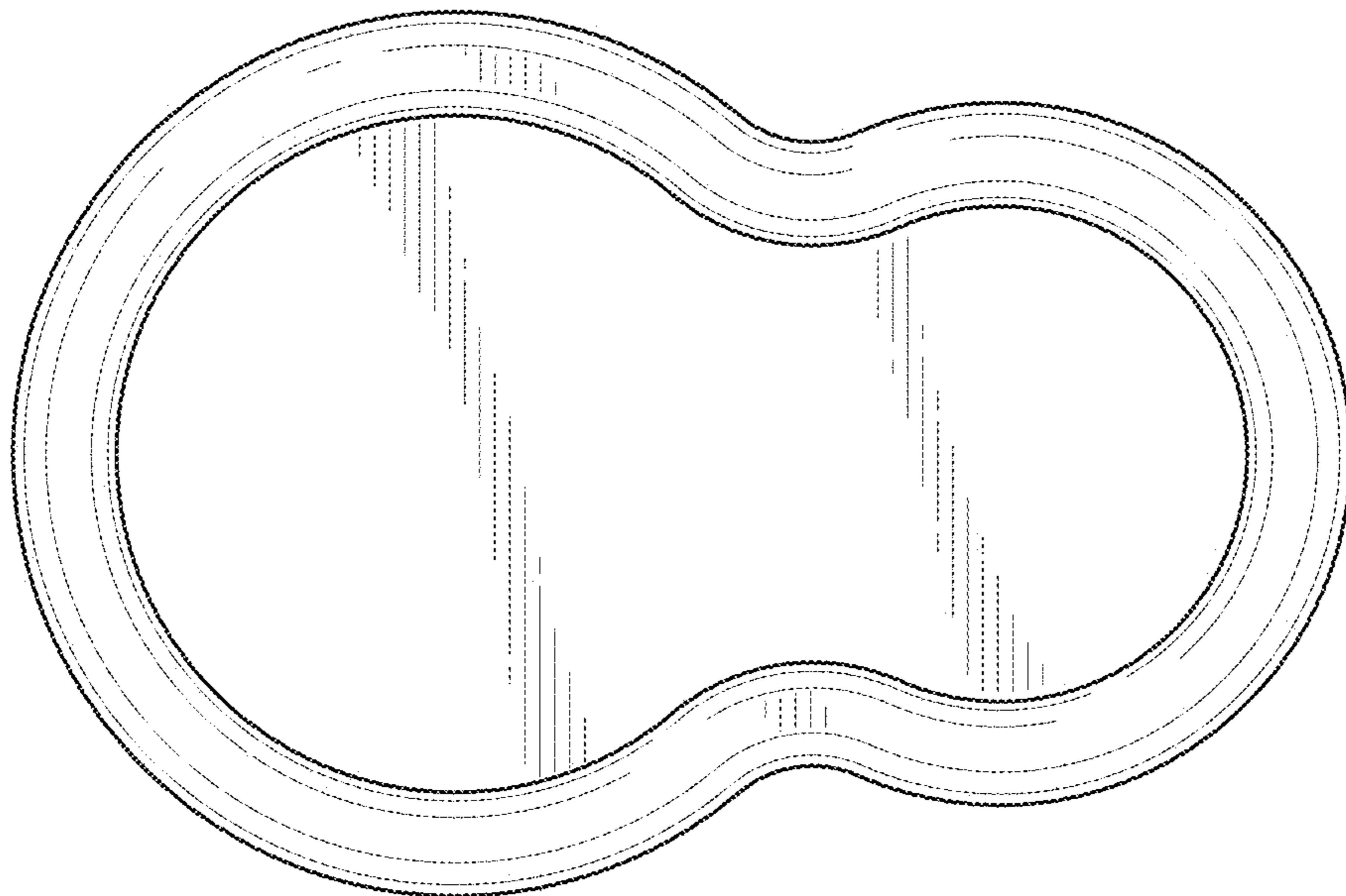


FIG. 7

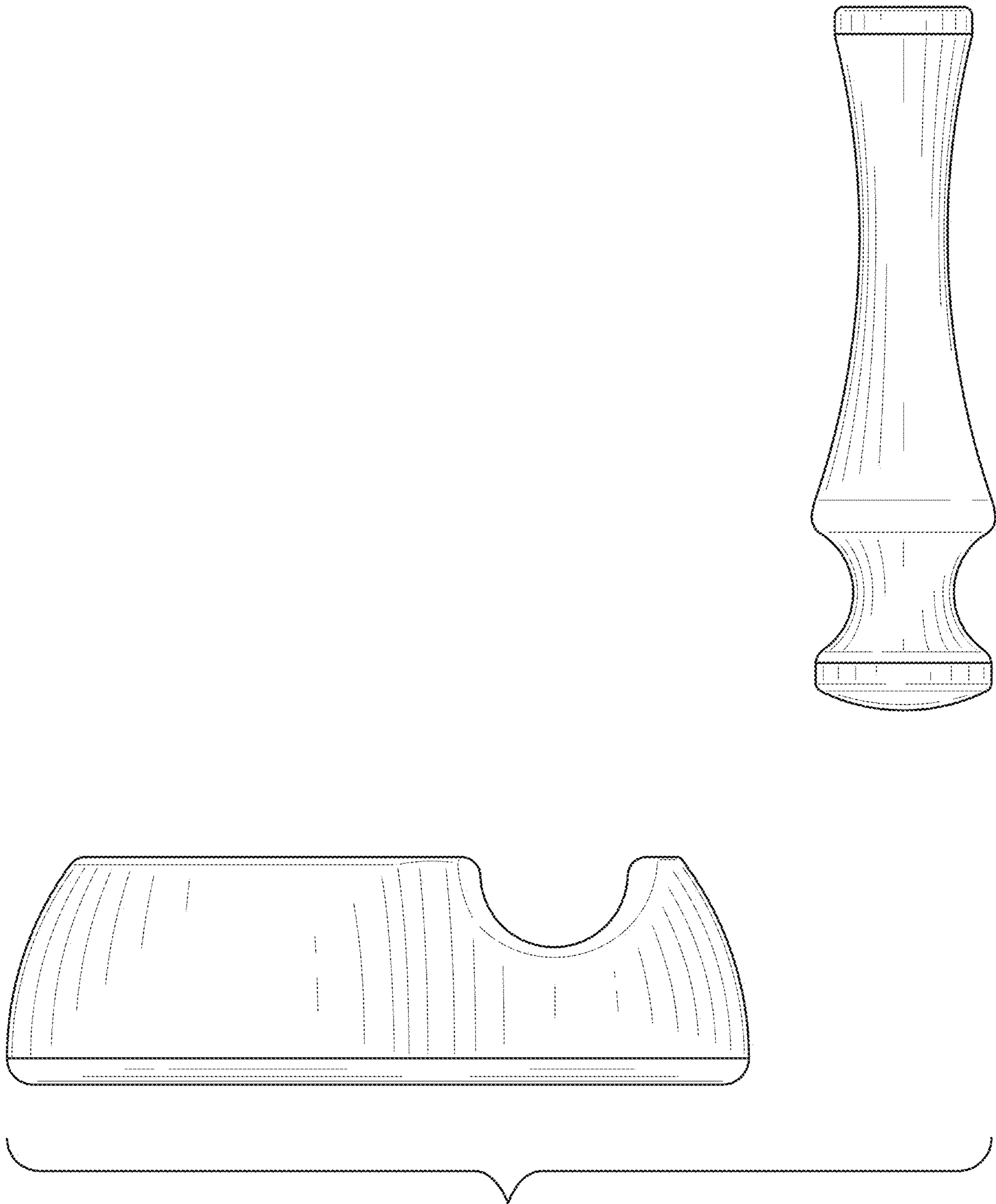


FIG. 8

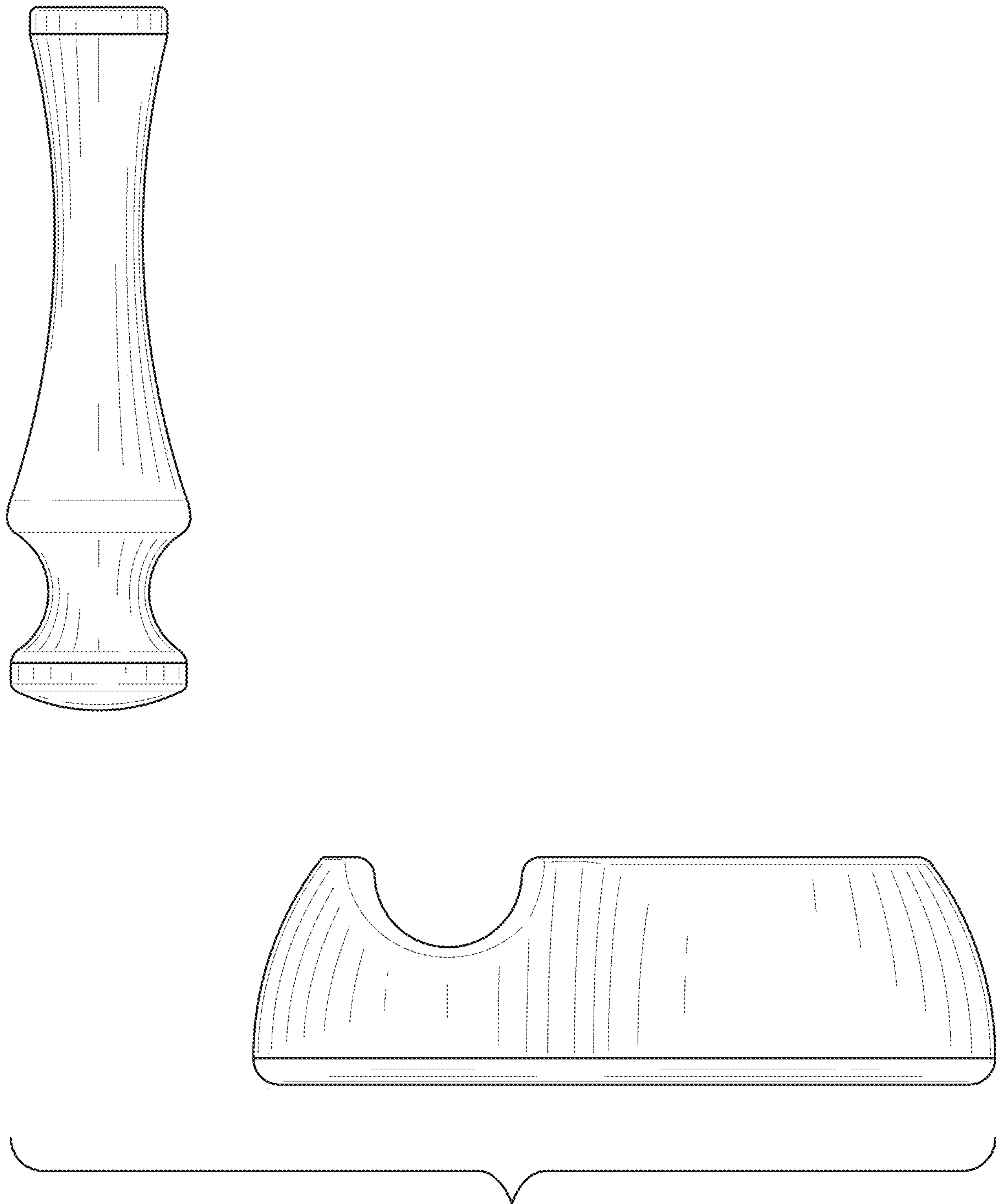


FIG. 9

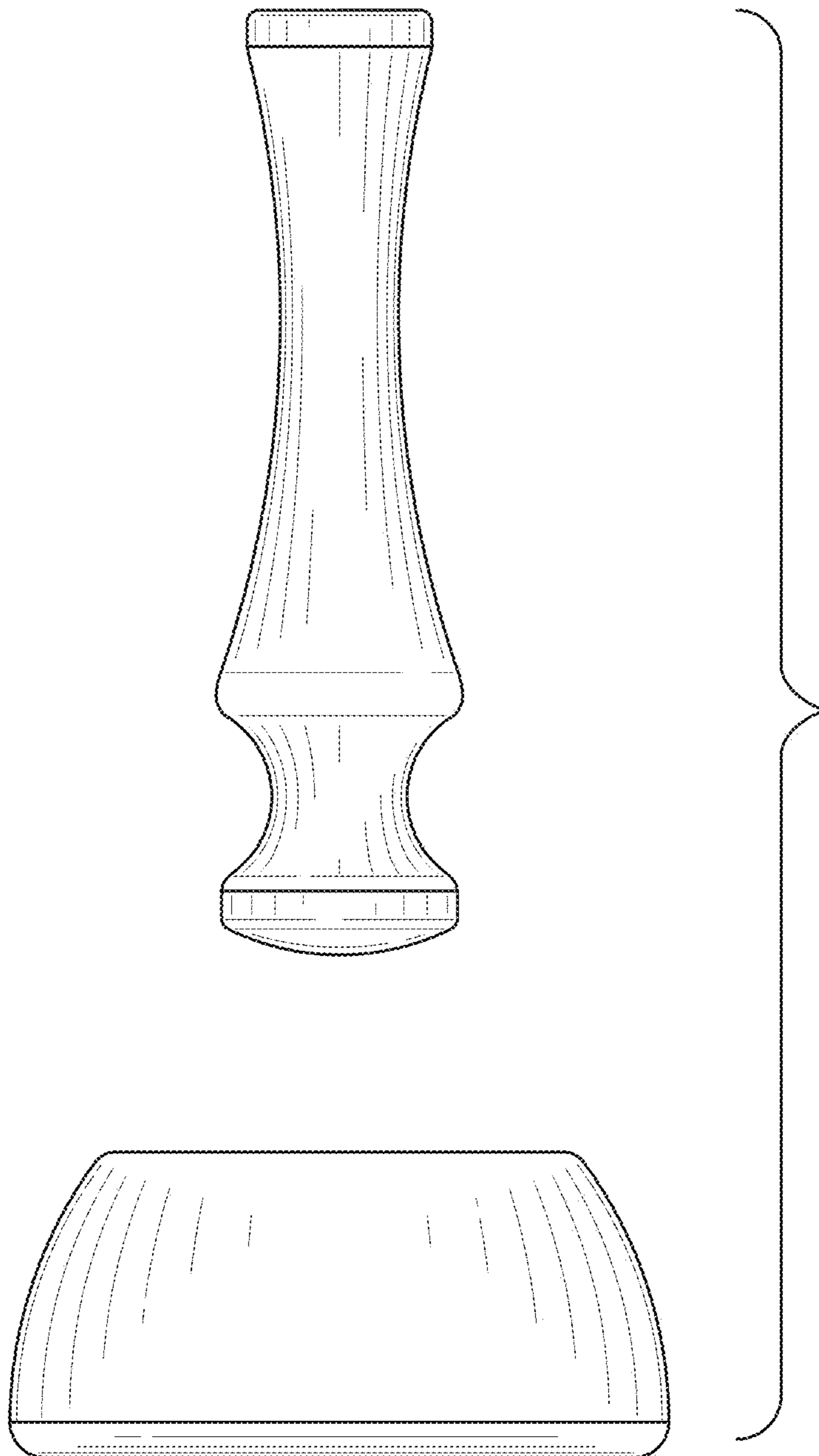


FIG. 10

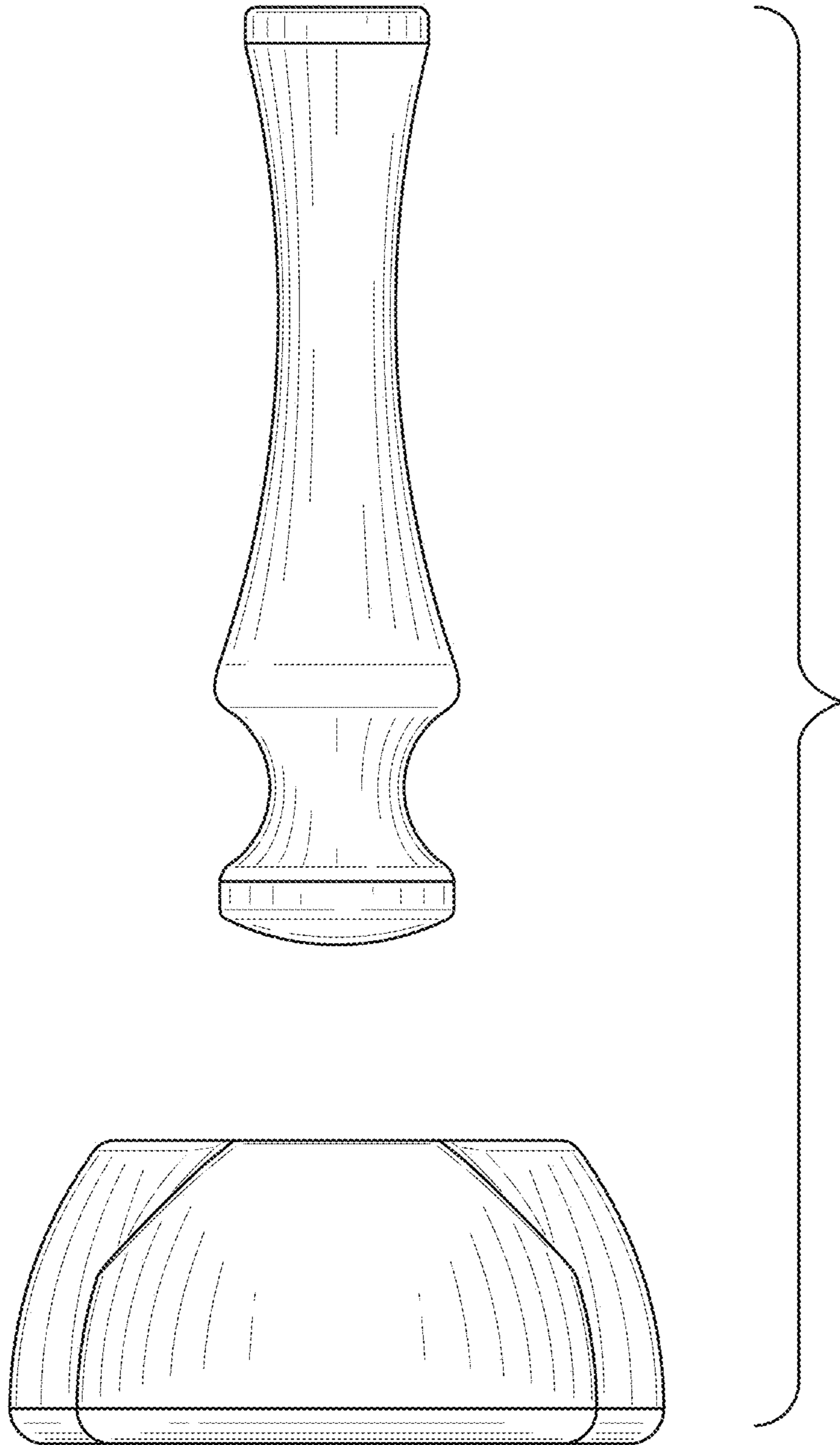


FIG. 11

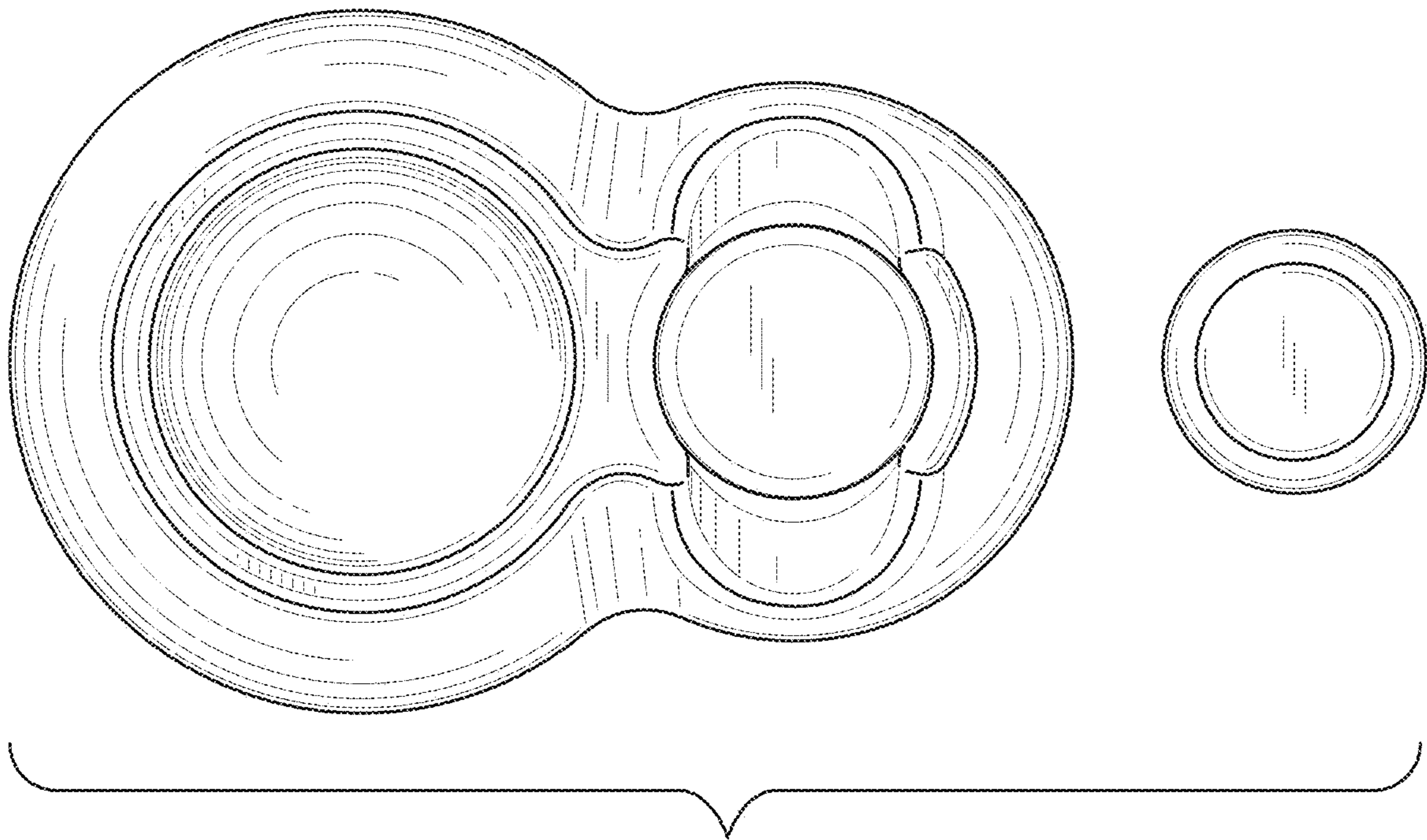


FIG. 12

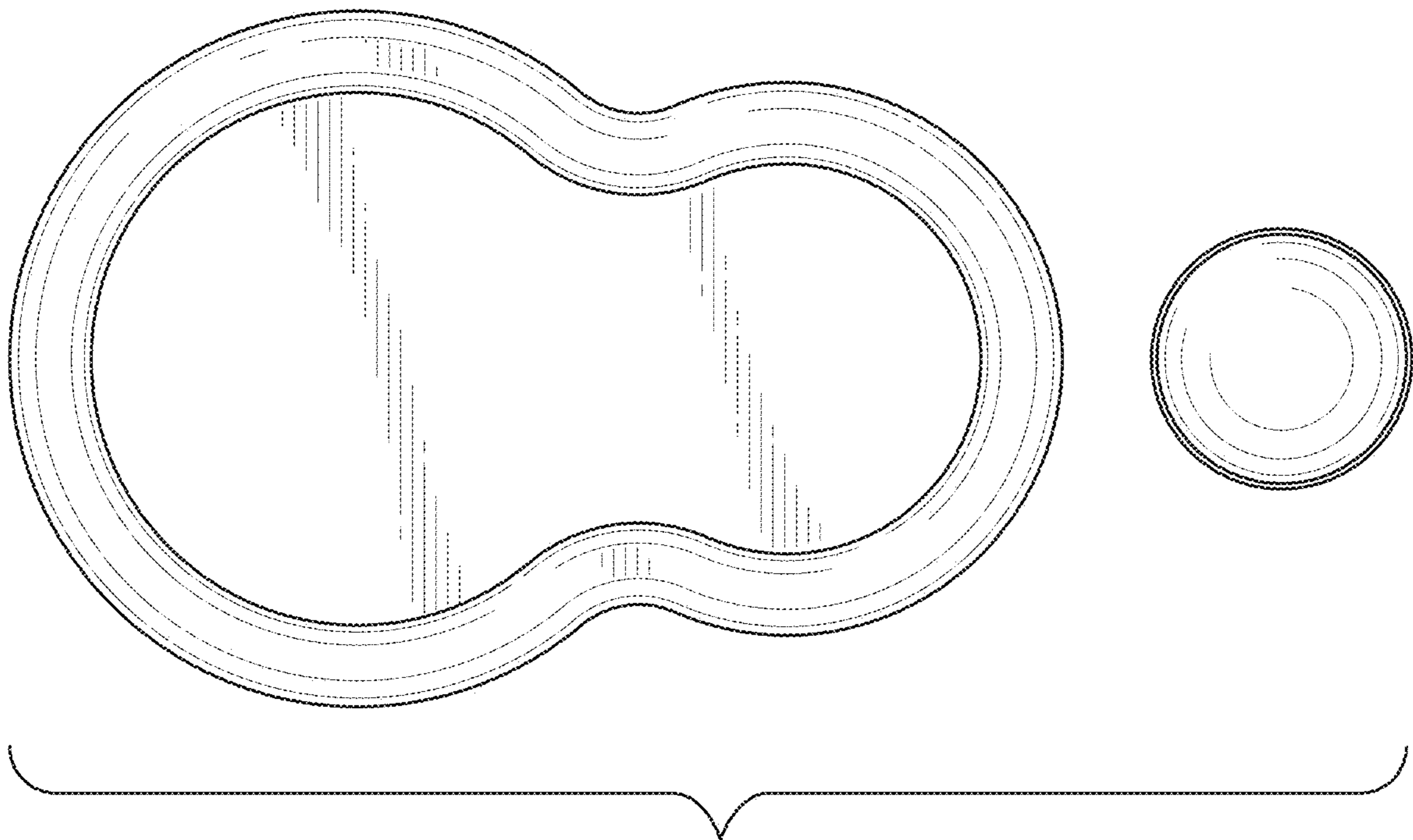


FIG. 13

FIG. 14

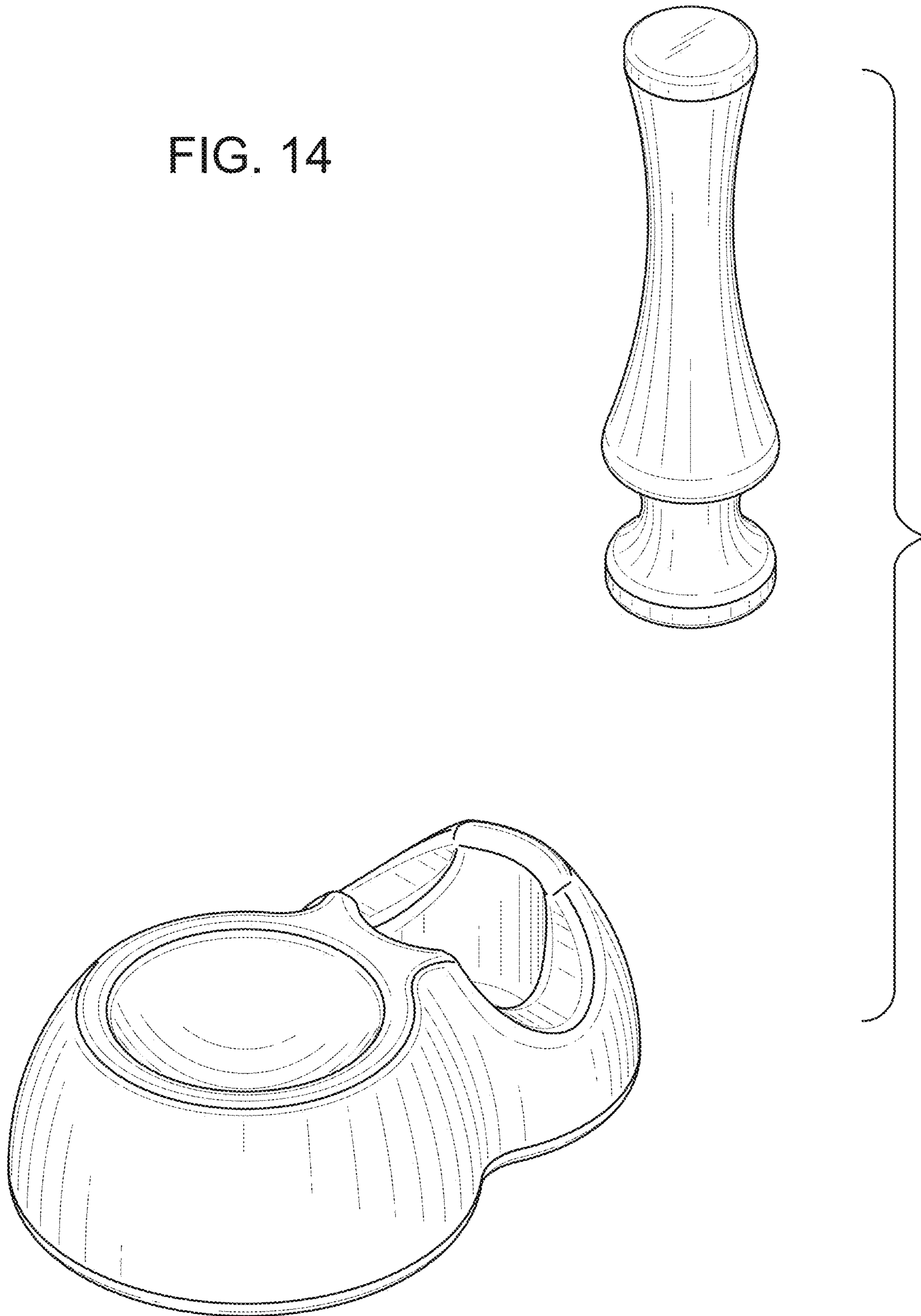
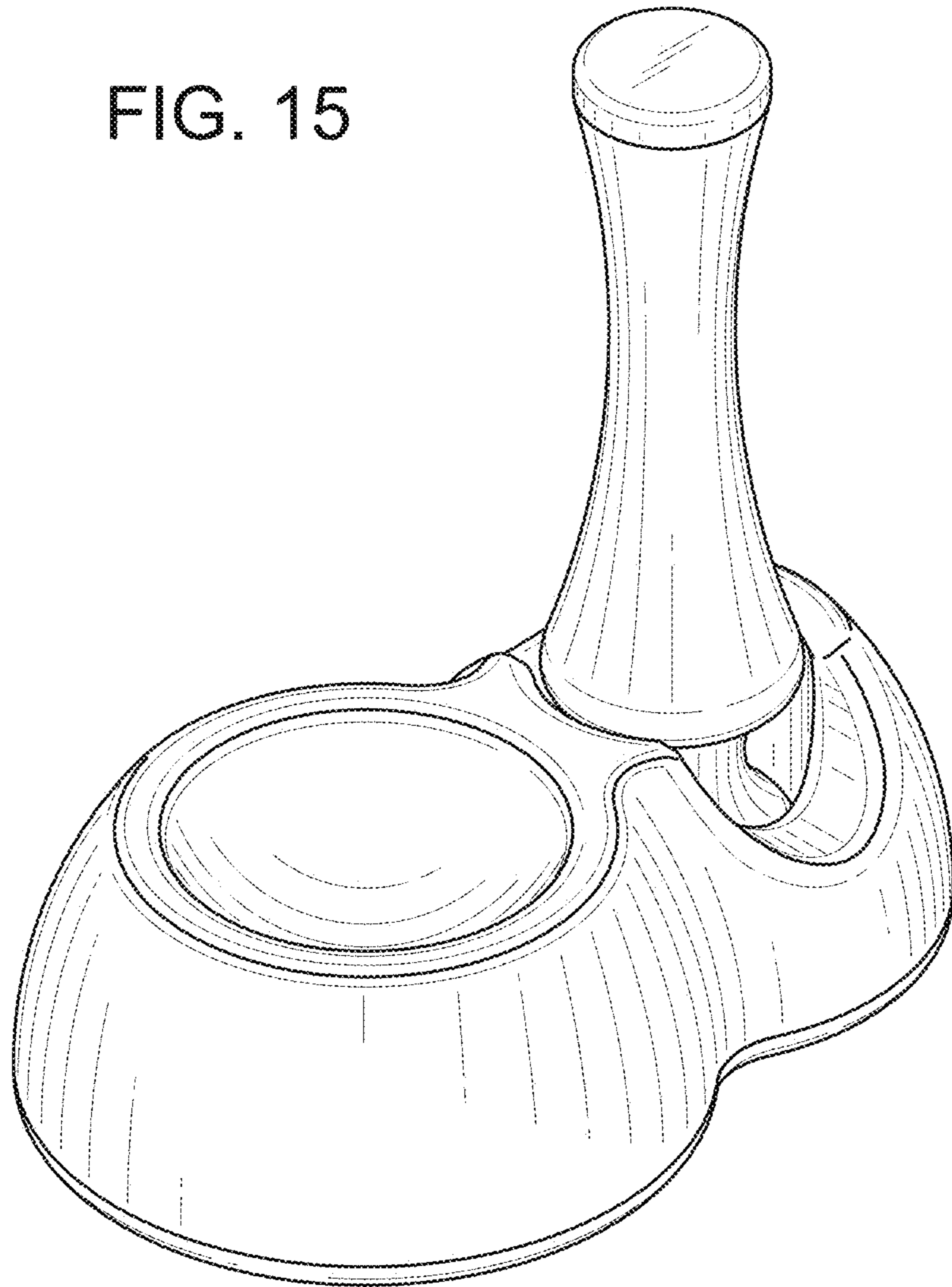


FIG. 15



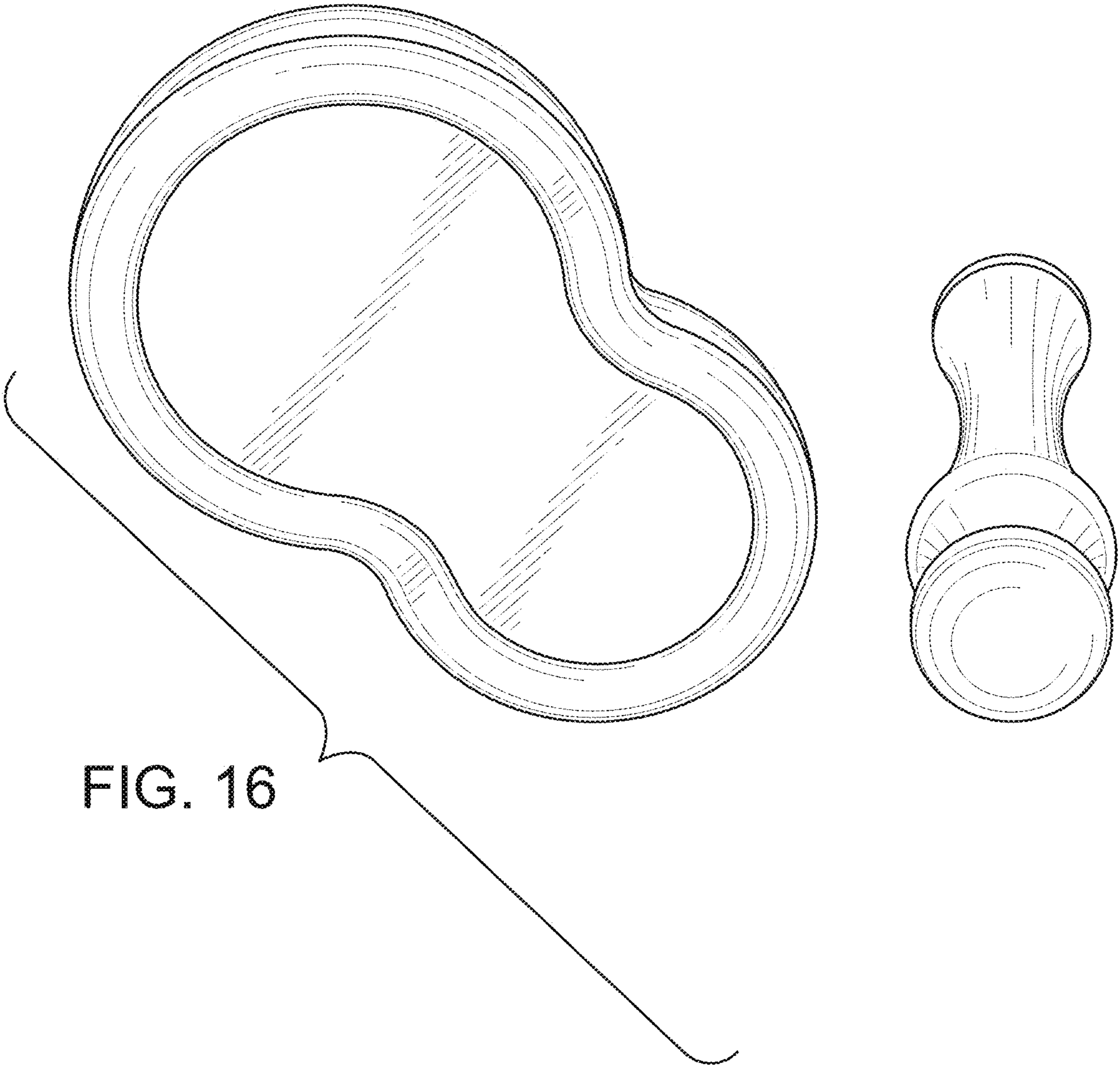


FIG. 16