



US00D906066S

(12) **United States Design Patent** (10) **Patent No.:** **US D906,066 S**  
**Lu** (45) **Date of Patent:** **\*\* Dec. 29, 2020**

(54) **CHOPPER**  
(71) Applicant: **Cong Qiang Lu**, Taizhou (CN)  
(72) Inventor: **Cong Qiang Lu**, Taizhou (CN)  
(\*\*) Term: **15 Years**  
(21) Appl. No.: **29/647,151**  
(22) Filed: **May 10, 2018**  
(51) **LOC (12) Cl.** ..... **07-04**  
(52) **U.S. Cl.**  
USPC ..... **D7/693**; D7/391  
(58) **Field of Classification Search**  
USPC ..... D7/672–678, 693, 381, 368, 412, 665,  
D7/679, 629, 372, 378, 384, 413, 391  
CPC . A47J 17/02; A47J 43/25; A47J 25/00; B26D  
3/283; B26D 7/2628; B26D  
2003/285–288; B26D 3/185; B26D 3/26;  
B26D 3/18; A21C 11/106; B26B 5/008  
See application file for complete search history.

D673,006 S \* 12/2012 Kent ..... D7/372  
D682,048 S \* 5/2013 Perry ..... D7/665  
D708,903 S \* 7/2014 Wong ..... D7/413  
D708,917 S \* 7/2014 Wong ..... D7/672  
D732,353 S \* 6/2015 Wong ..... D7/665  
D770,868 S \* 11/2016 Repac ..... D7/672  
D810,519 S \* 2/2018 Cramer ..... D7/673  
D812,997 S \* 3/2018 Cabrita ..... D7/673  
D821,828 S \* 7/2018 Chen ..... D7/693  
D829,062 S \* 9/2018 O’Leary ..... D7/665  
D829,496 S \* 10/2018 Kim ..... D7/378  
D829,513 S \* 10/2018 Sanders ..... D7/673  
D838,147 S \* 1/2019 Kim ..... D7/693  
D838,560 S \* 1/2019 Wong ..... D7/693  
D843,164 S \* 3/2019 Chen ..... D7/391  
D843,796 S \* 3/2019 Wong ..... D7/693  
D853,192 S \* 7/2019 Kim ..... D7/412  
D873,628 S \* 1/2020 Chen ..... D7/673  
D881,659 S \* 4/2020 O’Leary ..... D7/665  
2009/0045274 A1 \* 2/2009 So ..... A47J 43/0705  
241/169.1

\* cited by examiner

*Primary Examiner* — Brett Miller

(74) *Attorney, Agent, or Firm* — James Creighton Wray

(56) **References Cited**

U.S. PATENT DOCUMENTS

D402,165 S \* 12/1998 Bull ..... D7/665  
D454,754 S \* 3/2002 Jacober ..... D7/412  
D518,688 S \* 4/2006 Overthun ..... D7/693  
D527,588 S \* 9/2006 de Groote ..... D7/629  
D548,025 S \* 8/2007 Kaposi ..... D7/672  
D581,219 S \* 11/2008 So ..... D7/665  
D584,571 S \* 1/2009 Roth ..... D7/629  
D608,162 S \* 1/2010 Mah ..... D7/673  
D608,603 S \* 1/2010 Hauser ..... D7/665  
D610,414 S \* 2/2010 Boerner ..... D7/673  
D614,457 S \* 4/2010 Jossem ..... D7/679  
D630,912 S \* 1/2011 Wong ..... D7/693  
D651,871 S \* 1/2012 Coursey ..... D7/384

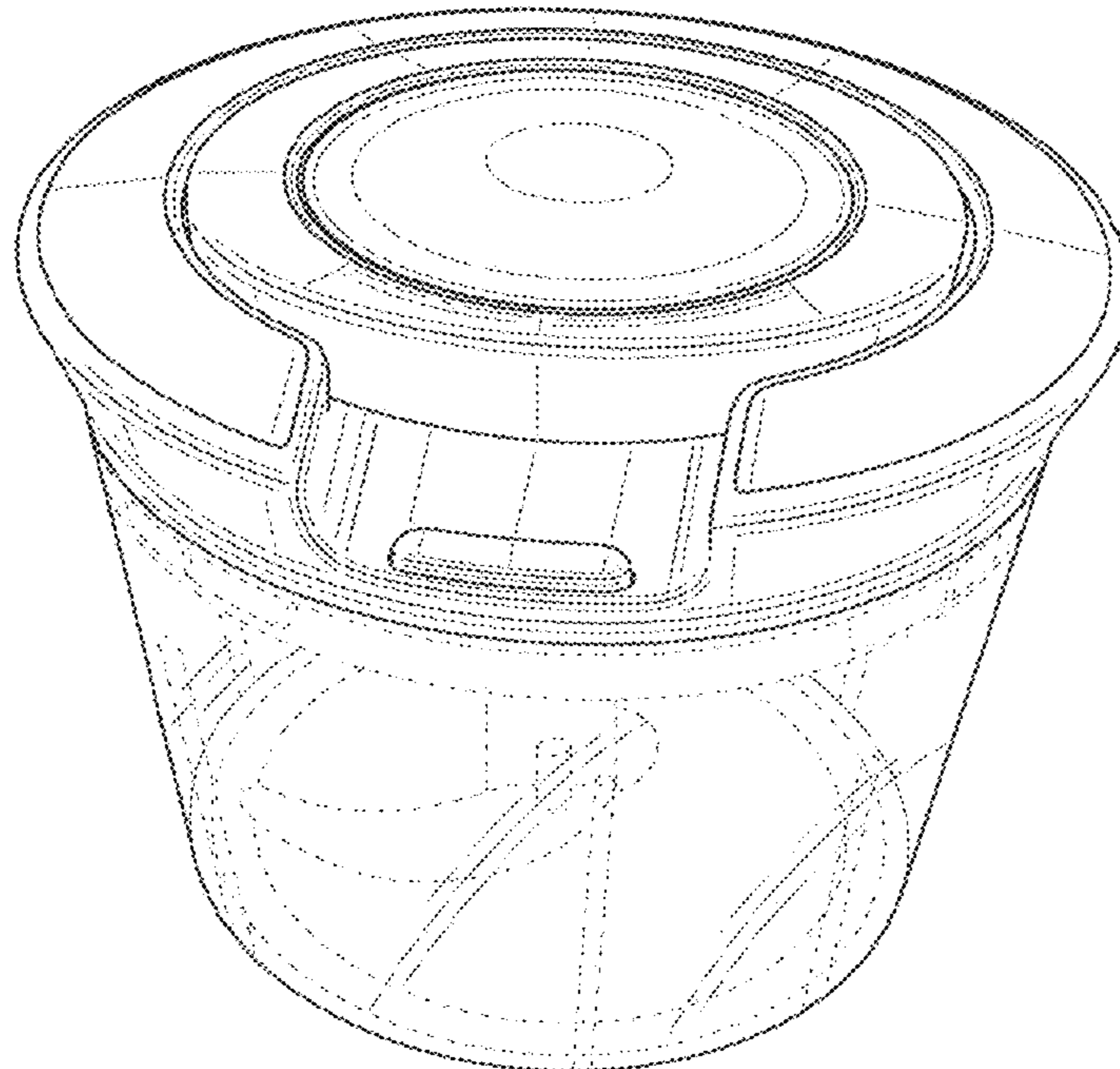
(57) **CLAIM**

The ornamental design for a chopper, as shown and described.

**DESCRIPTION**

FIG. 1 is a top front perspective view of the chopper.  
FIG. 2 is a top right side perspective view of the chopper.  
The opposite sides are mirror images, with the exception of the internal cutting element; and,  
FIG. 3 is a top perspective view of the chopper.  
The broken lines depict portions of the chopper that form no part of the claimed design.

**1 Claim, 3 Drawing Sheets**



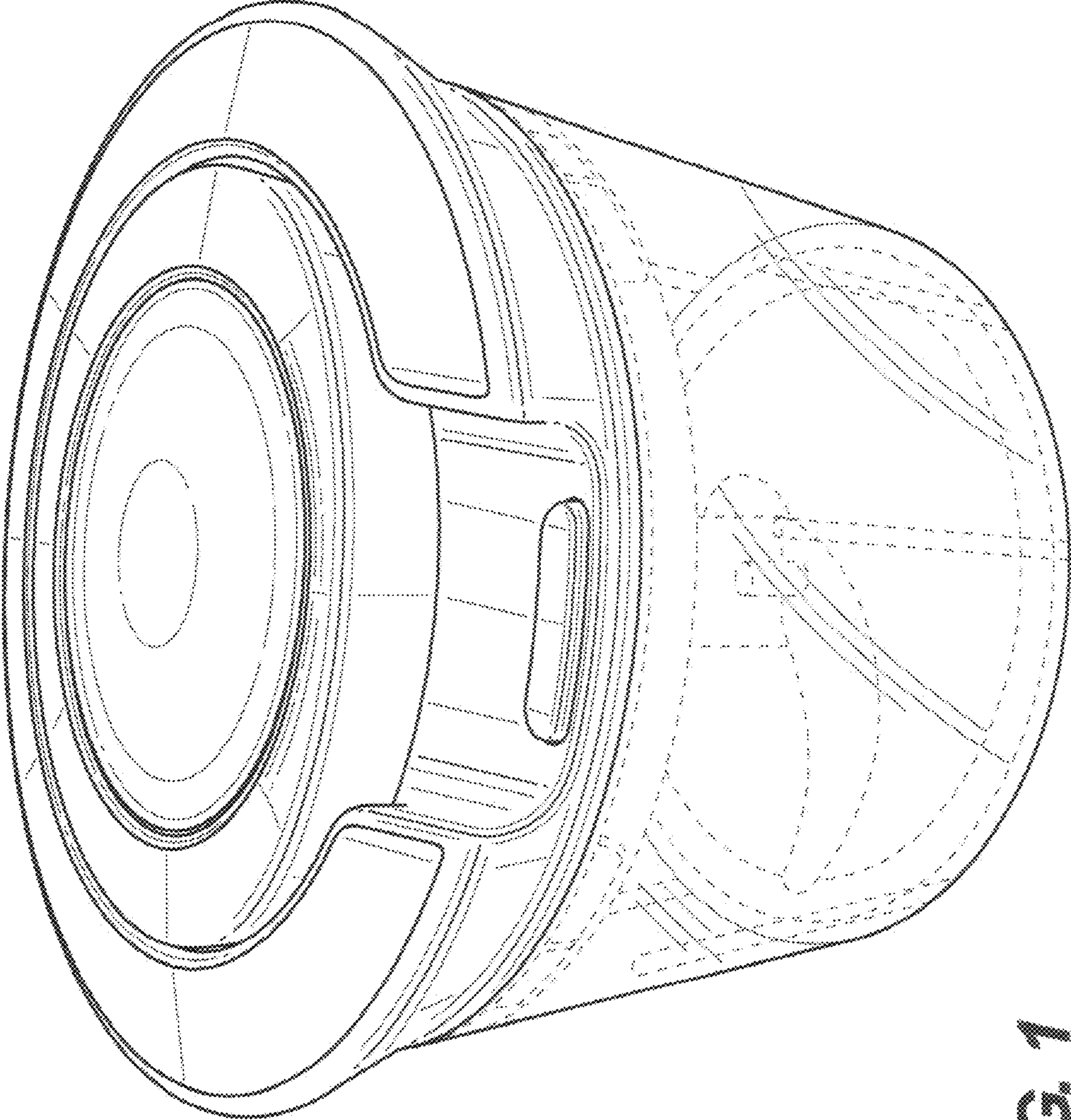


FIG. 1

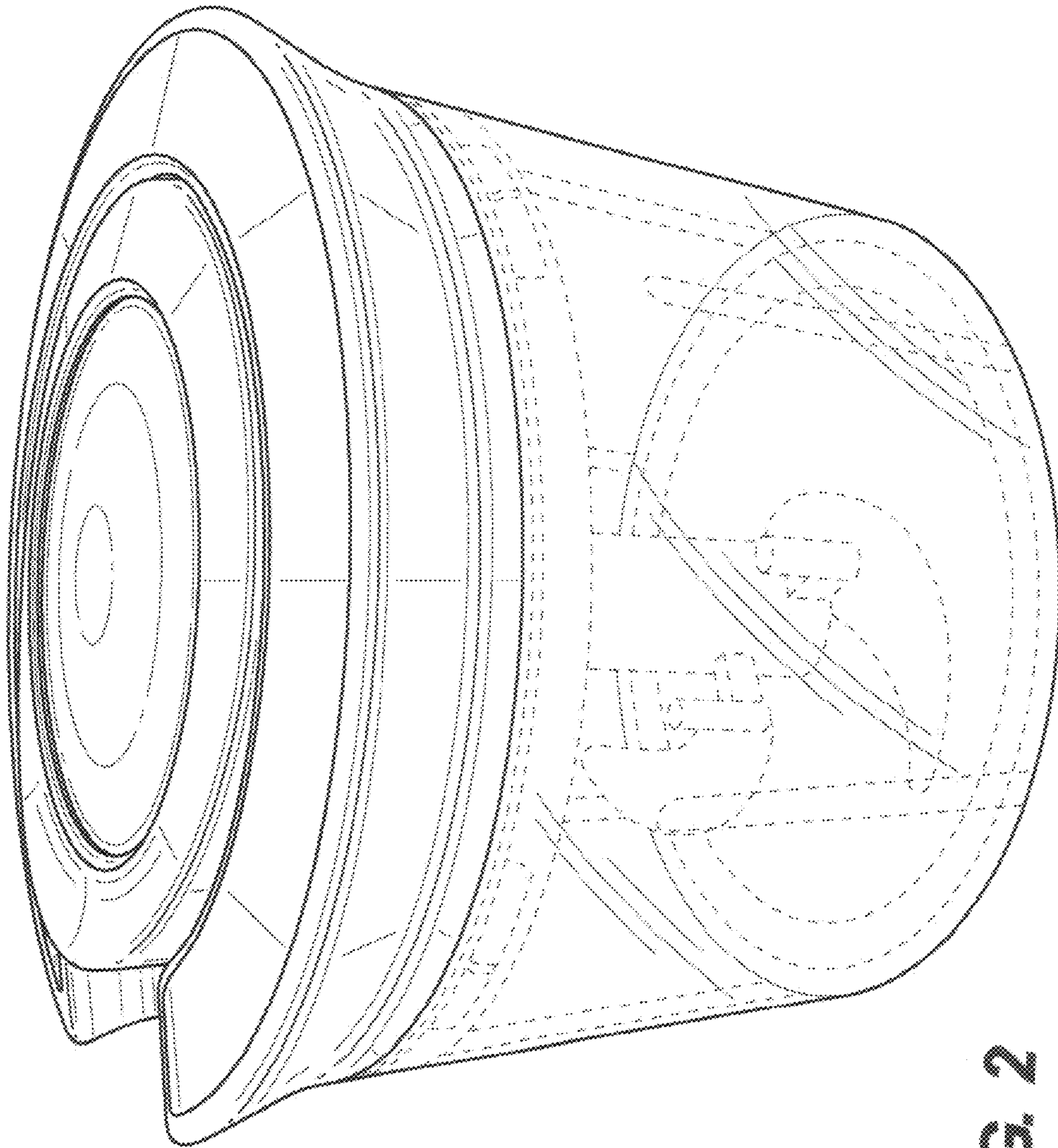
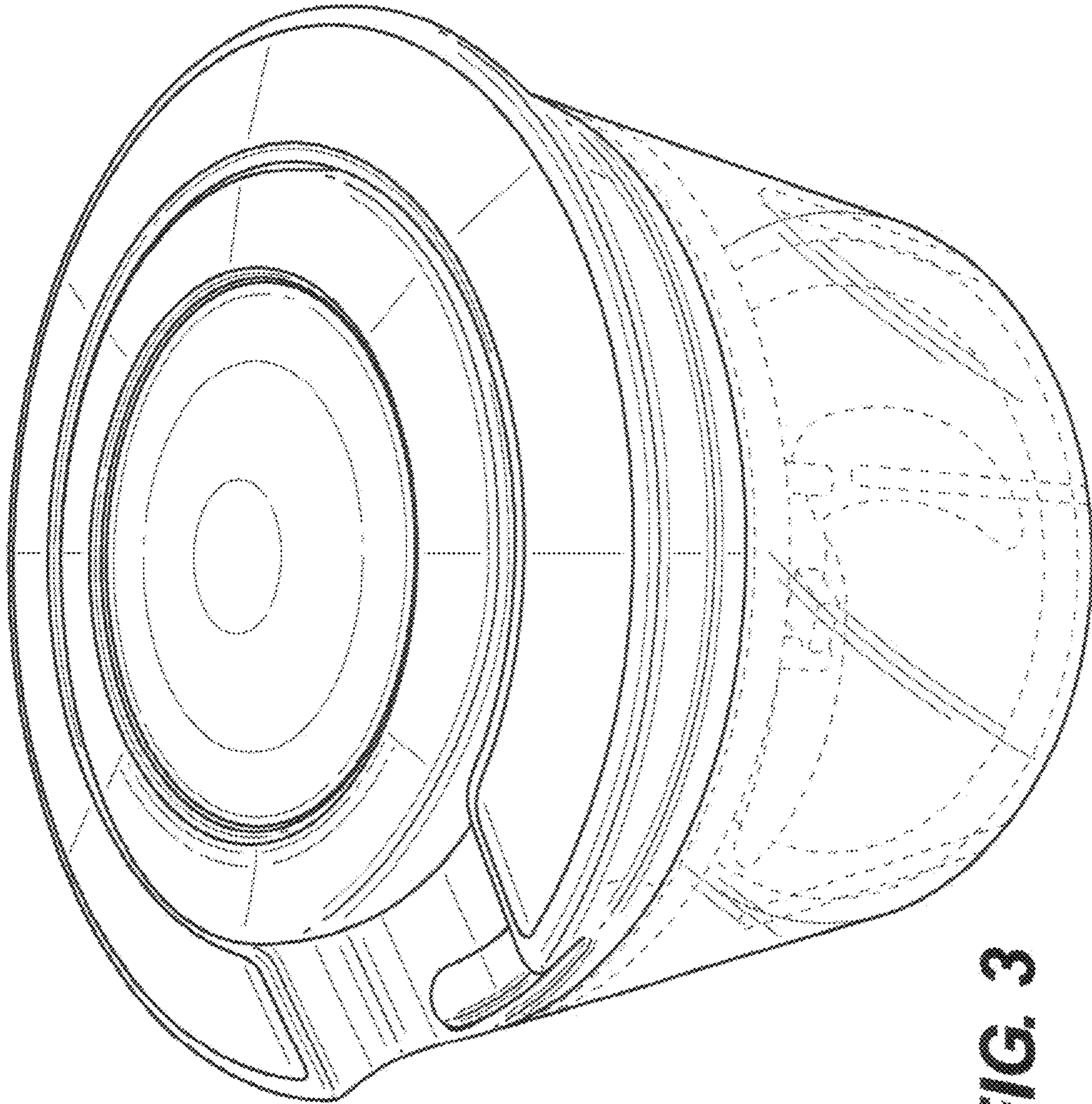


FIG. 2



**FIG. 3**