



US00D906065S

(12) **United States Design Patent**
Jett

(10) **Patent No.:** **US D906,065 S**
(45) **Date of Patent:** **** Dec. 29, 2020**

- (54) **SENSUAL UTENSIL SET**
- (71) Applicant: **Marquita Latrece Jett**, Snellville, GA
(US)
- (72) Inventor: **Marquita Latrece Jett**, Snellville, GA
(US)
- (**) Term: **15 Years**
- (21) Appl. No.: **29/682,287**
- (22) Filed: **Mar. 4, 2019**
- (51) **LOC (12) Cl.** **07-03**
- (52) **U.S. Cl.**
USPC **D7/654; D7/645; D7/649; D7/653**
- (58) **Field of Classification Search**
USPC D1/104; D7/368, 401.2, 642–645,
D7/651–664, 669, 675–677, 683,
D7/688–689, 691–692; D8/107,
D8/300–301; D22/117–118, 128, 132
CPC ... A01D 9/02; A01D 9/04; A01D 9/06; A47G
21/00; A47G 21/004; A47G 21/005;
A47G 21/02; A47G 21/023; A47G 21/04;
A47G 21/06; A47G 21/08; A47J 43/28;
A47J 43/281; A47J 43/282; A47J 43/283;
A61F 13/10; A61J 7/0023; B25G 1/00;
B25G 1/01; B25G 1/02; B25G 3/00;
B65D 75/56; B65D 75/563; B65D
75/566; B67B 7/00; B67B 7/724; B67B
7/73
See application file for complete search history.

(56) **References Cited**

U.S. PATENT DOCUMENTS

- 2,994,553 A * 8/1961 Banton A47J 43/283
294/106
- D508,380 S * 8/2005 Tranfaglia D7/651
- D510,506 S * 10/2005 Tranfaglia D7/656
- D526,697 S * 8/2006 Meroney D22/132
- D575,476 S * 8/2008 Lam D1/104
- D634,391 S * 3/2011 Bernotsky D22/128

- D697,367 S * 1/2014 Wilson D7/401.2
 - D721,927 S * 2/2015 Wilson D7/654
 - D753,964 S * 4/2016 Schuler D7/692
 - D817,726 S * 5/2018 Stewart D7/653
 - D823,072 S * 7/2018 Lefferts D7/643
- (Continued)

Primary Examiner — Ricky Pham
(74) *Attorney, Agent, or Firm* — Dunlap Bennett & Ludwig, PLLC; Brendan E. Squire

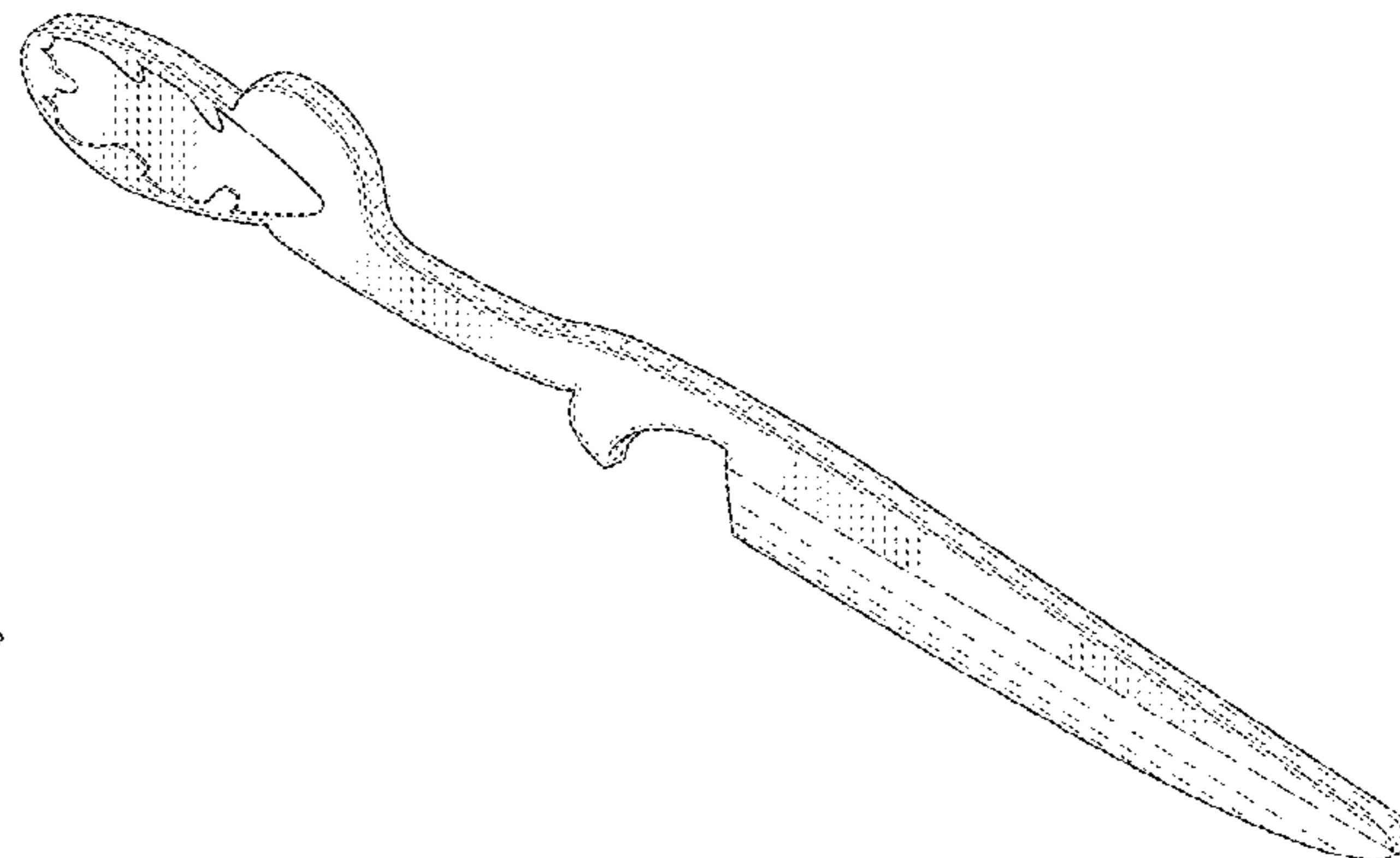
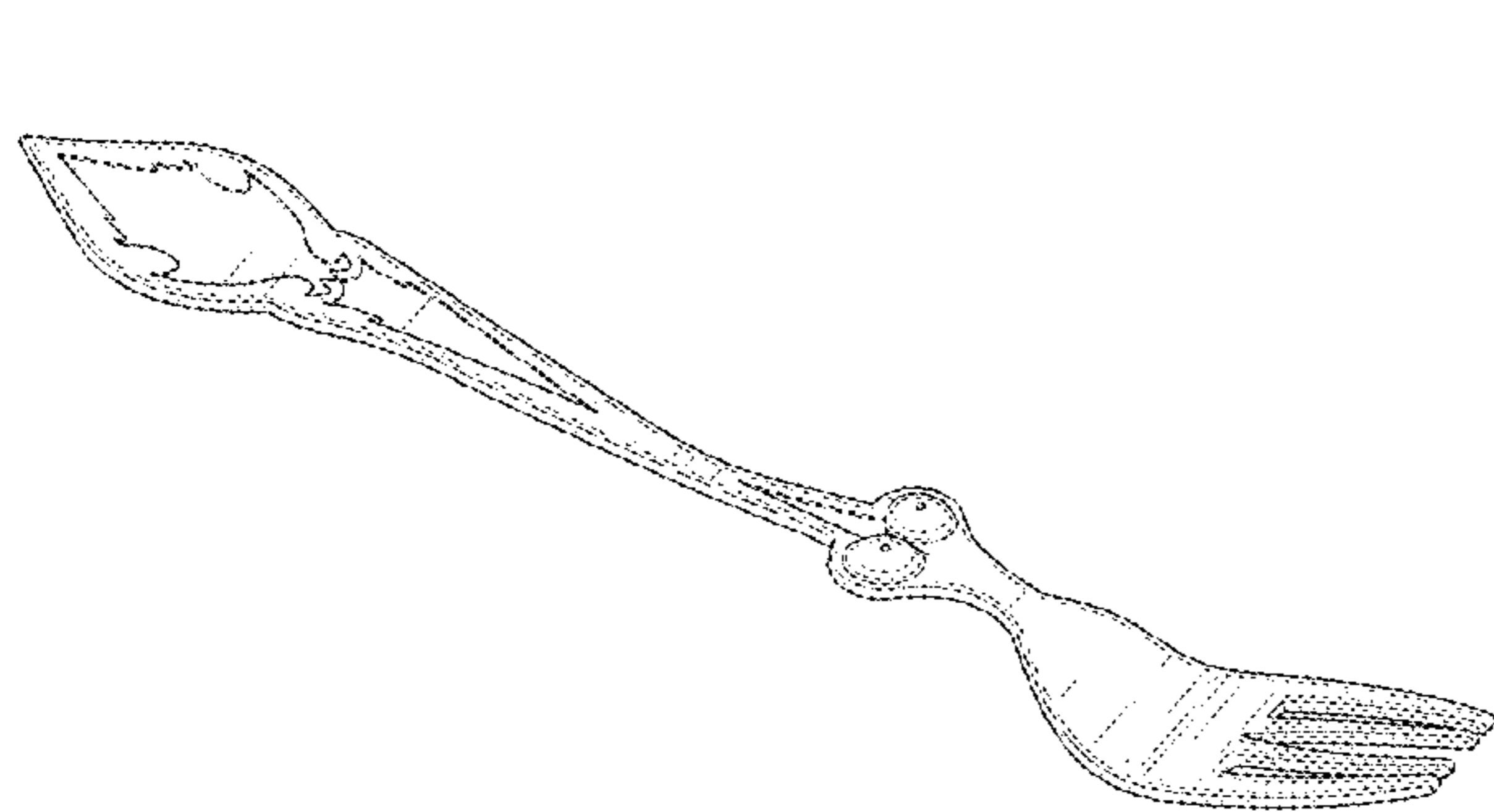
(57) **CLAIM**

The ornamental design for a sensual utensil set, as shown and described.

DESCRIPTION

FIG. 1 is a perspective view of the sensual utensil set, showing my new design;
 FIG. 2 is a top plan view thereof;
 FIG. 3 is a bottom plan of thereof;
 FIG. 4 is a left side elevation view thereof;
 FIG. 5 is a right side elevation view thereof;
 FIG. 6 is a front elevation view thereof;
 FIG. 7 is a back elevation view thereof;
 FIG. 8 is a perspective view of the sensual utensil set, showing my new design;
 FIG. 9 is a left side elevation view thereof;
 FIG. 10 is a right side elevation view thereof;
 FIG. 11 is a top plan view thereof;
 FIG. 12 is a bottom plan view thereof;
 FIG. 13 is a front elevation view thereof;
 FIG. 14 is a back elevation view thereof;
 FIG. 15 is a perspective view of the sensual utensil set, showing may new design;
 FIG. 16 is a top plan view thereof;
 FIG. 17 is a bottom plan view thereof;
 FIG. 18 is a left side elevation view thereof;
 FIG. 19 is a right side elevation view thereof;
 FIG. 20 is a front elevation view thereof; and,
 FIG. 21 is a back elevation view thereof.

1 Claim, 9 Drawing Sheets



(56)

References Cited

U.S. PATENT DOCUMENTS

D842,662 S * 3/2019 Bloch D7/643
D873,094 S * 1/2020 Bloch D7/643

* cited by examiner

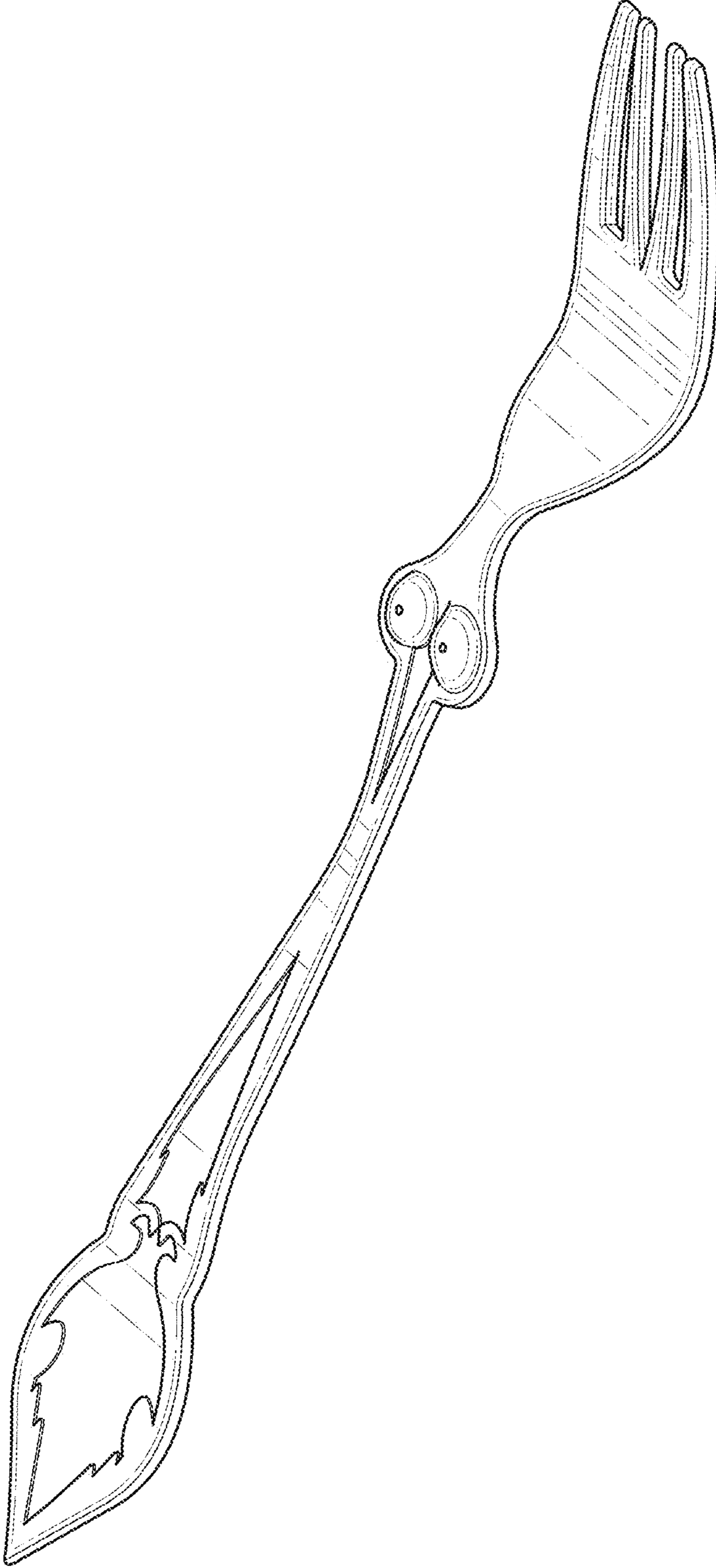


FIG. 1

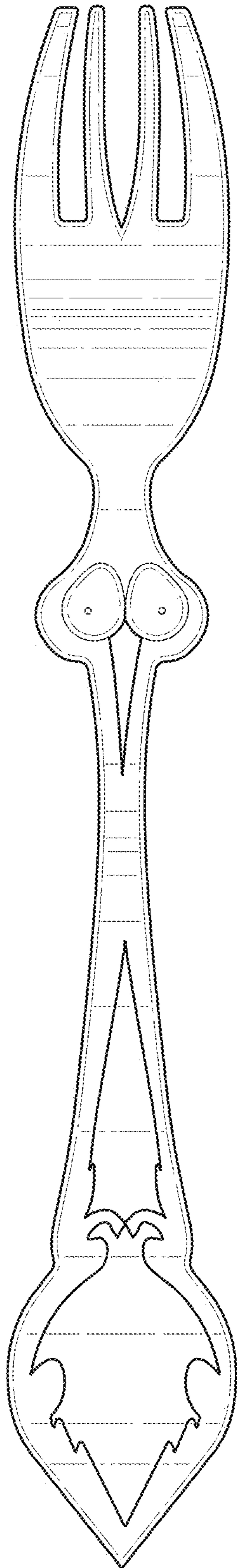


FIG. 2

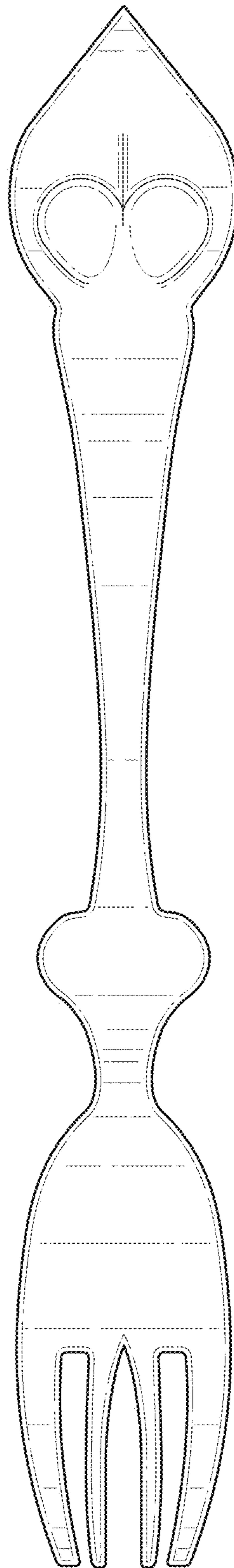


FIG. 3

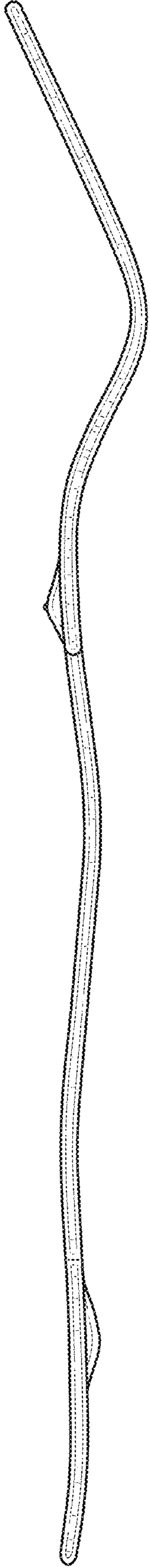


FIG. 4

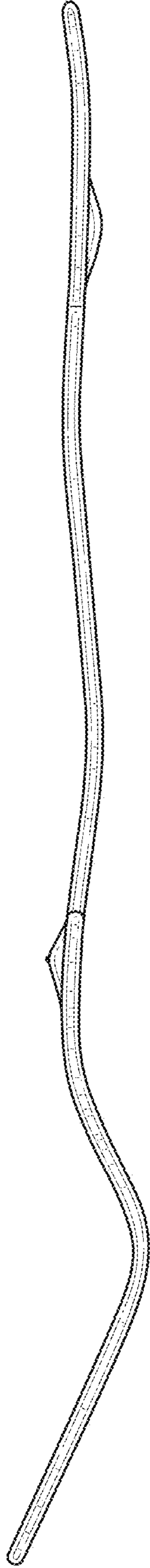


FIG. 5

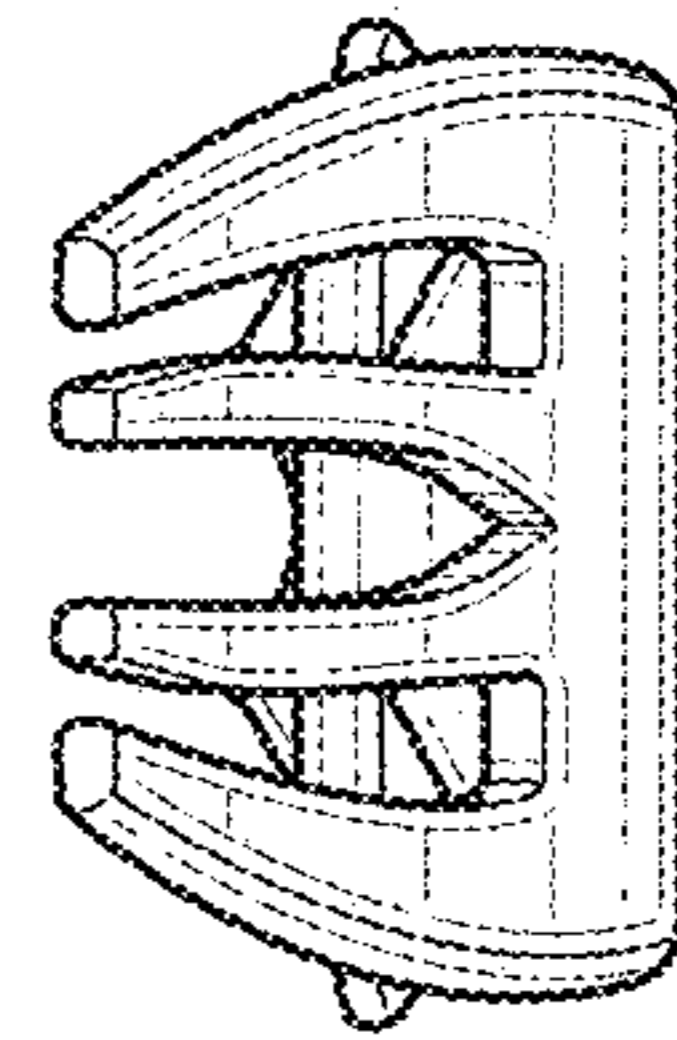


FIG. 6

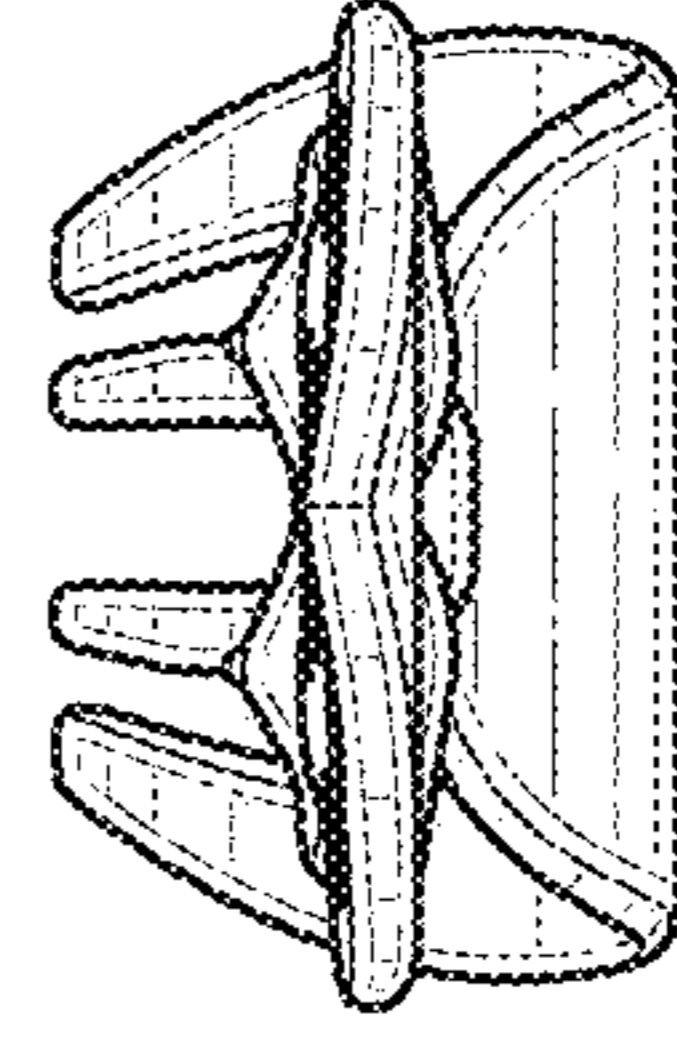


FIG. 7

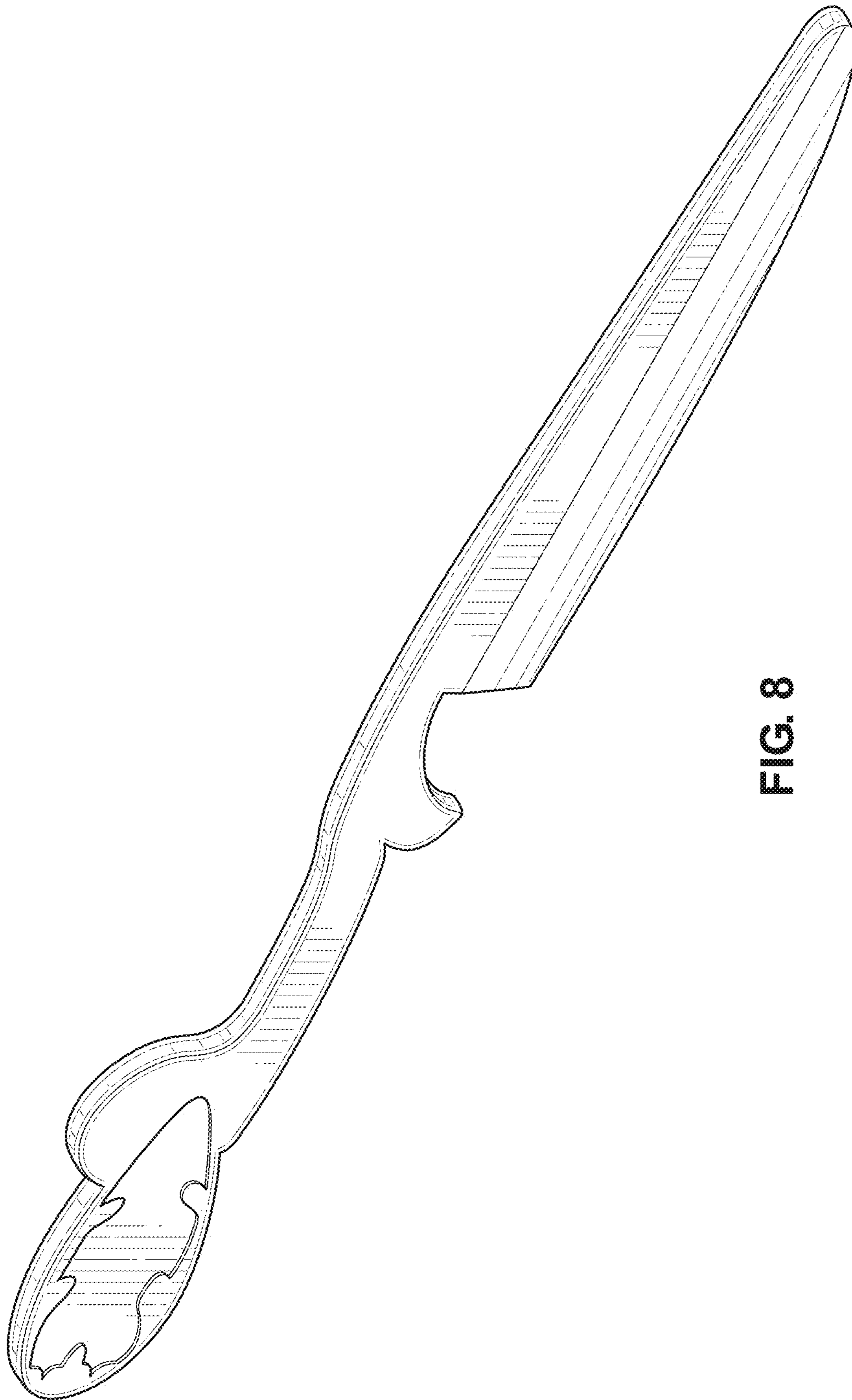


FIG. 8

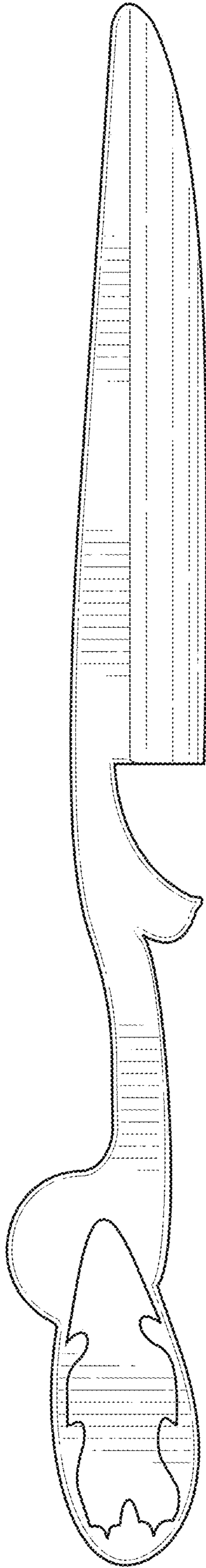


FIG. 9

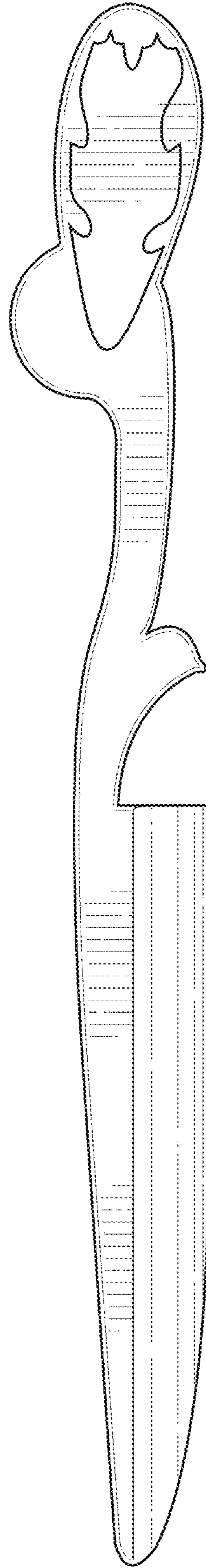


FIG. 10



FIG. 11



FIG. 12



FIG. 13



FIG. 14

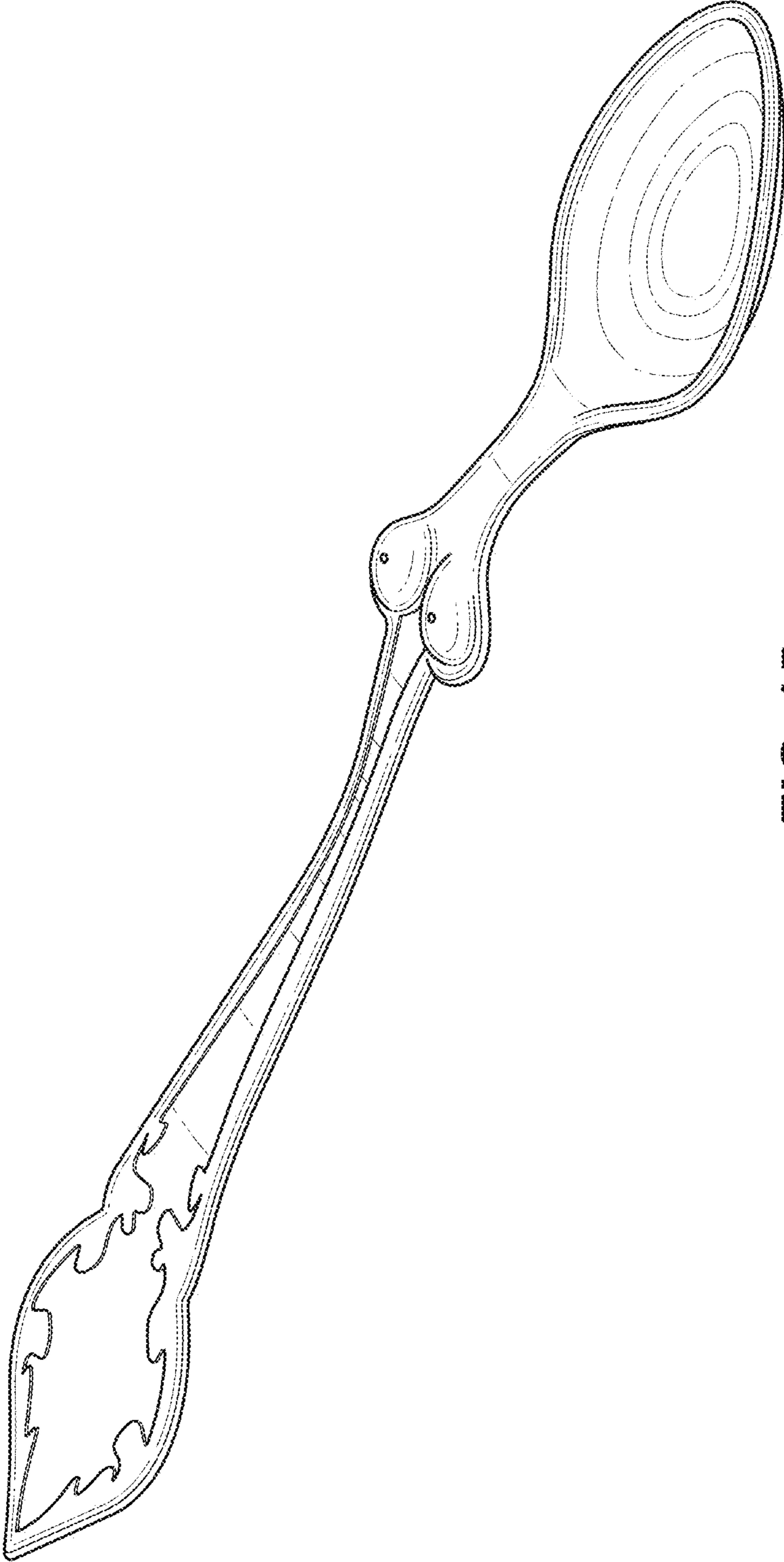


FIG. 15

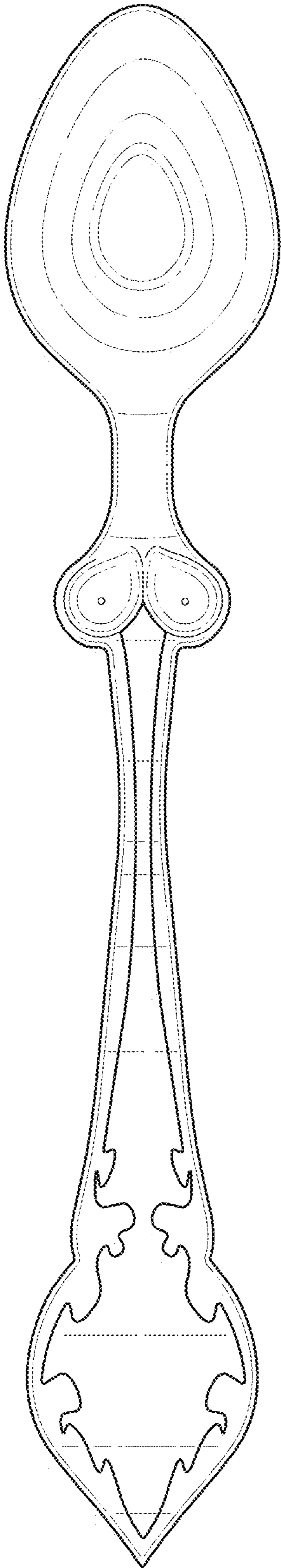


FIG. 16

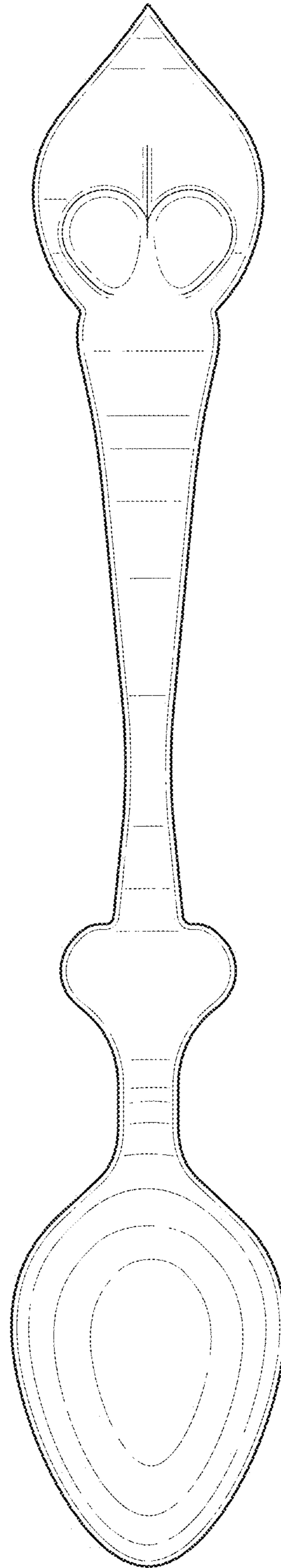


FIG. 17

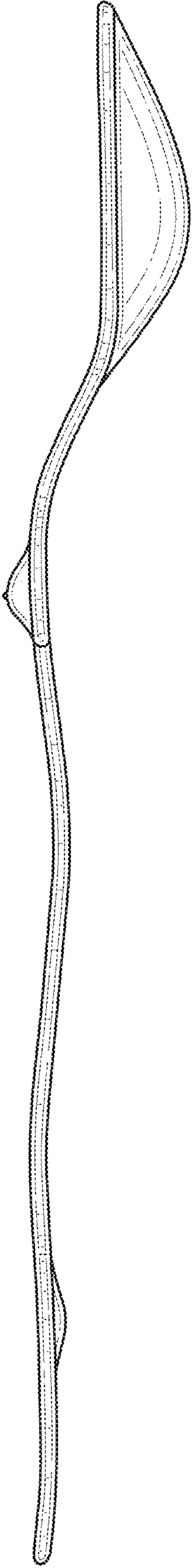


FIG. 18

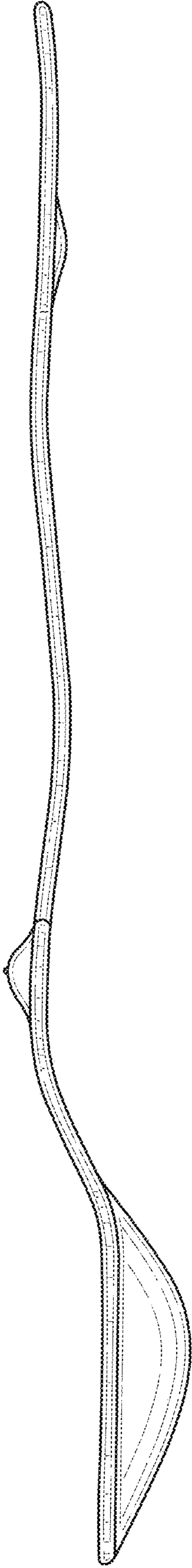


FIG. 19

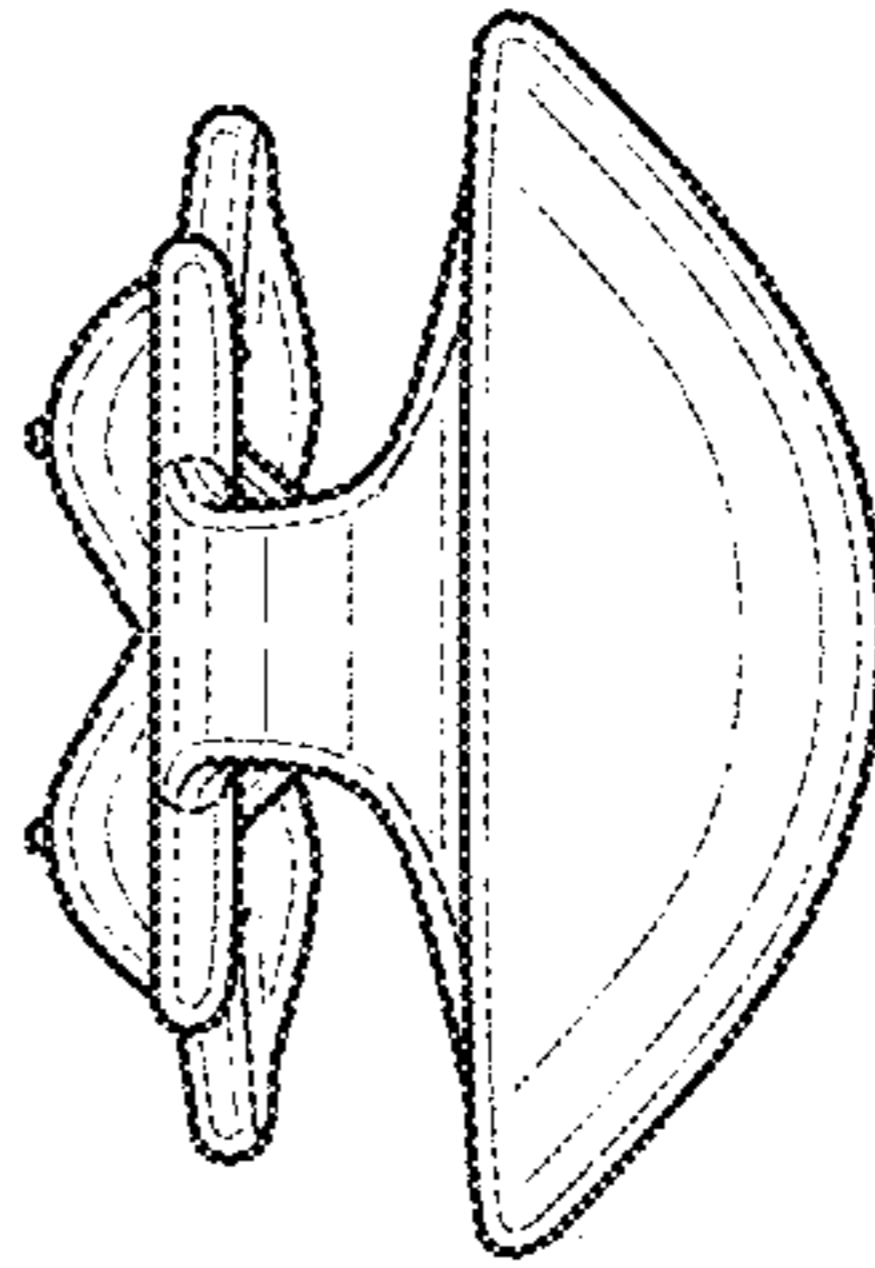


FIG. 20

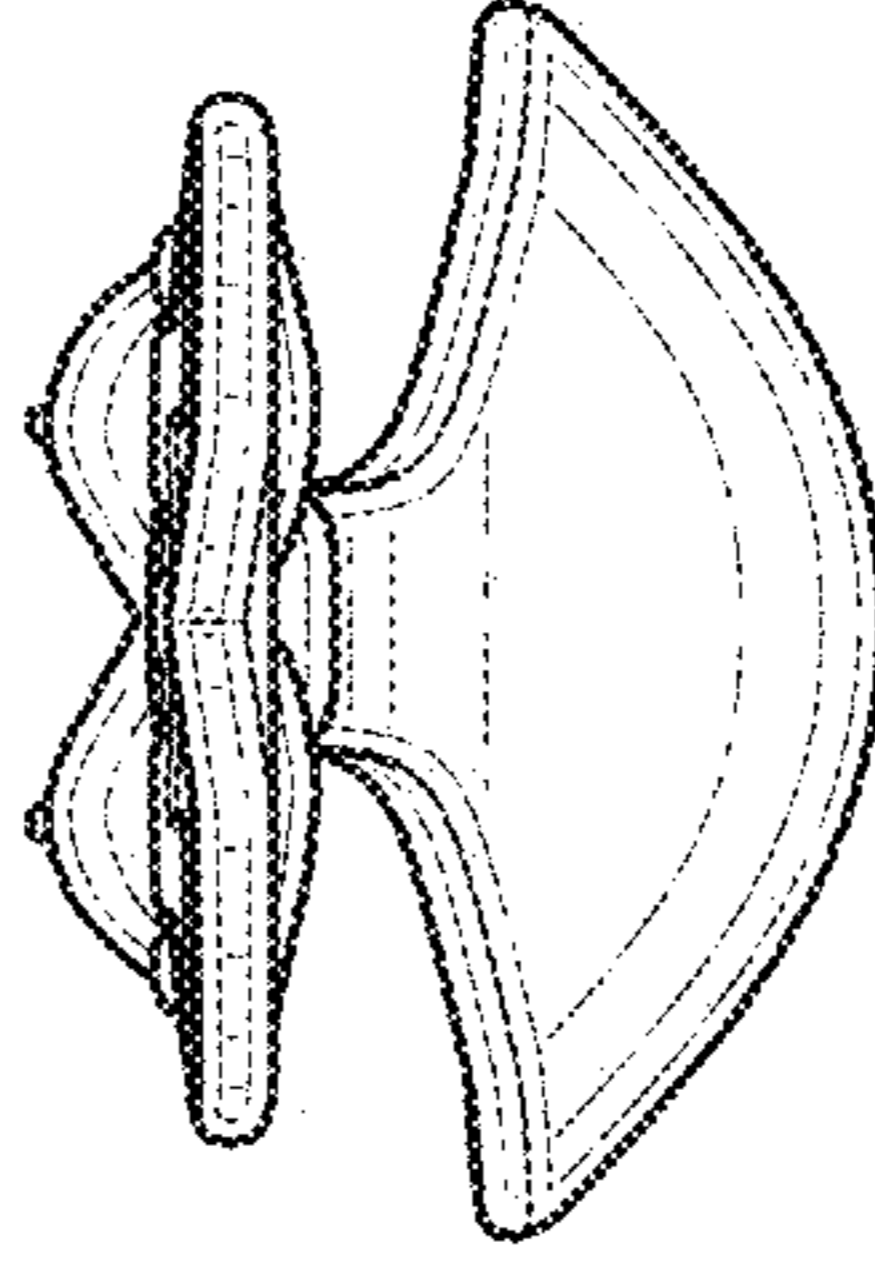


FIG. 21