

US00D906064S

(12) **United States Design Patent**
Steenwyk et al.

(10) **Patent No.:** **US D906,064 S**

(45) **Date of Patent:** **** Dec. 29, 2020**

- (54) **POULTRY FORK AND COVER**
- (71) Applicants: **Zab Steenwyk**, Brooklyn, NY (US);
Sunny Kim, Douglaston, NY (US)
- (72) Inventors: **Zab Steenwyk**, Brooklyn, NY (US);
Sunny Kim, Douglaston, NY (US)
- (73) Assignee: **Helen of Troy Limited**, St. Michael
(BB)

D282,877 S *	3/1986	Harvey	D28/31
D282,975 S *	3/1986	Harvey	D28/25
5,680,705 A *	10/1997	Josoha	B26B 5/008
				30/304
D500,939 S *	1/2005	Aswad	D7/683
D651,484 S *	1/2012	Zemel	D7/683
D663,171 S *	7/2012	Borovicka	D7/683
D685,617 S *	7/2013	Zemel	D7/683
D728,815 S *	5/2015	Haynes	D24/215
D764,881 S *	8/2016	Hall	D7/683
D772,090 S *	11/2016	Kruska	D10/119.1
D876,180 S *	2/2020	Martinez	D7/683

(**) Term: **15 Years**

* cited by examiner

(21) Appl. No.: **29/669,020**

Primary Examiner — Ricky Pham

(22) Filed: **Nov. 5, 2018**

(74) *Attorney, Agent, or Firm* — Rankin, Hill & Clark
LLP

(51) **LOC (12) Cl.** **07-03**

(52) **U.S. Cl.**
USPC **D7/653; D7/401.2**

(58) **Field of Classification Search**
USPC D7/368, 401.2, 642–645, 653–664, 669,
D7/675–677, 681, 683, 688–689,
D7/691–692; D8/27, 107, 300–301;
D10/119.1; D22/117–118; D24/215;
D28/25, 31

CPC ... A01D 9/02; A01D 9/04; A01D 9/06; A47G
21/00; A47G 21/004; A47G 21/005;
A47G 21/02; A47G 21/023; A47G 21/04;
A47G 21/06; A47G 21/08; A47J 43/28;
A47J 43/281; A47J 43/282; A61F 13/10;
A61J 7/0023; B25G 1/00; B25G 1/01;
B25G 1/02; B25G 3/00; B26B 5/008;
B65D 75/56; B65D 75/563; B65D
75/566; B67B 7/00; B67B 7/724; B67B
7/73

See application file for complete search history.

(56) **References Cited**

U.S. PATENT DOCUMENTS

- 3,628,819 A * 12/1971 Fowler A01D 9/06
294/50
- D275,639 S * 9/1984 Kramer D7/683

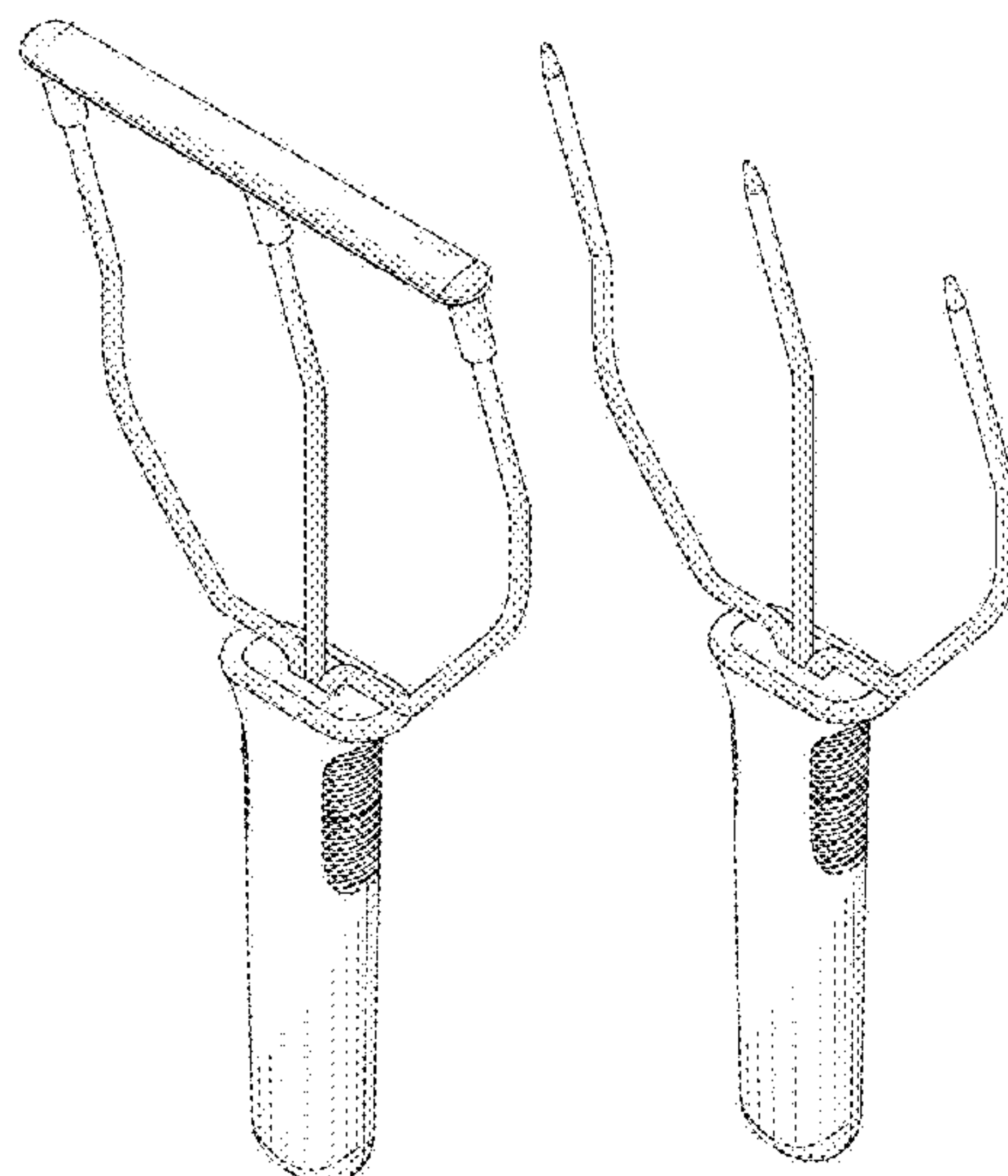
(57) **CLAIM**

The ornamental design for a poultry fork and cover, as shown, and described.

DESCRIPTION

FIG. 1 is a perspective view of a poultry fork and cover;
 FIG. 2 is a front elevation view thereof;
 FIG. 3 is a rear elevation view thereof;
 FIG. 4 is a side view thereof, the opposite side being a mirror image;
 FIG. 5 is a bottom plan view thereof;
 FIG. 6 is a top plan view thereof;
 FIG. 7 is a perspective view thereof with the cover removed;
 FIG. 8 is a front elevation view thereof;
 FIG. 9 is a rear elevation view thereof;
 FIG. 10 is a side view thereof, the opposite side being a mirror image;
 FIG. 11 is a bottom plan view thereof; and,
 FIG. 12 is a top plan view thereof.

1 Claim, 12 Drawing Sheets



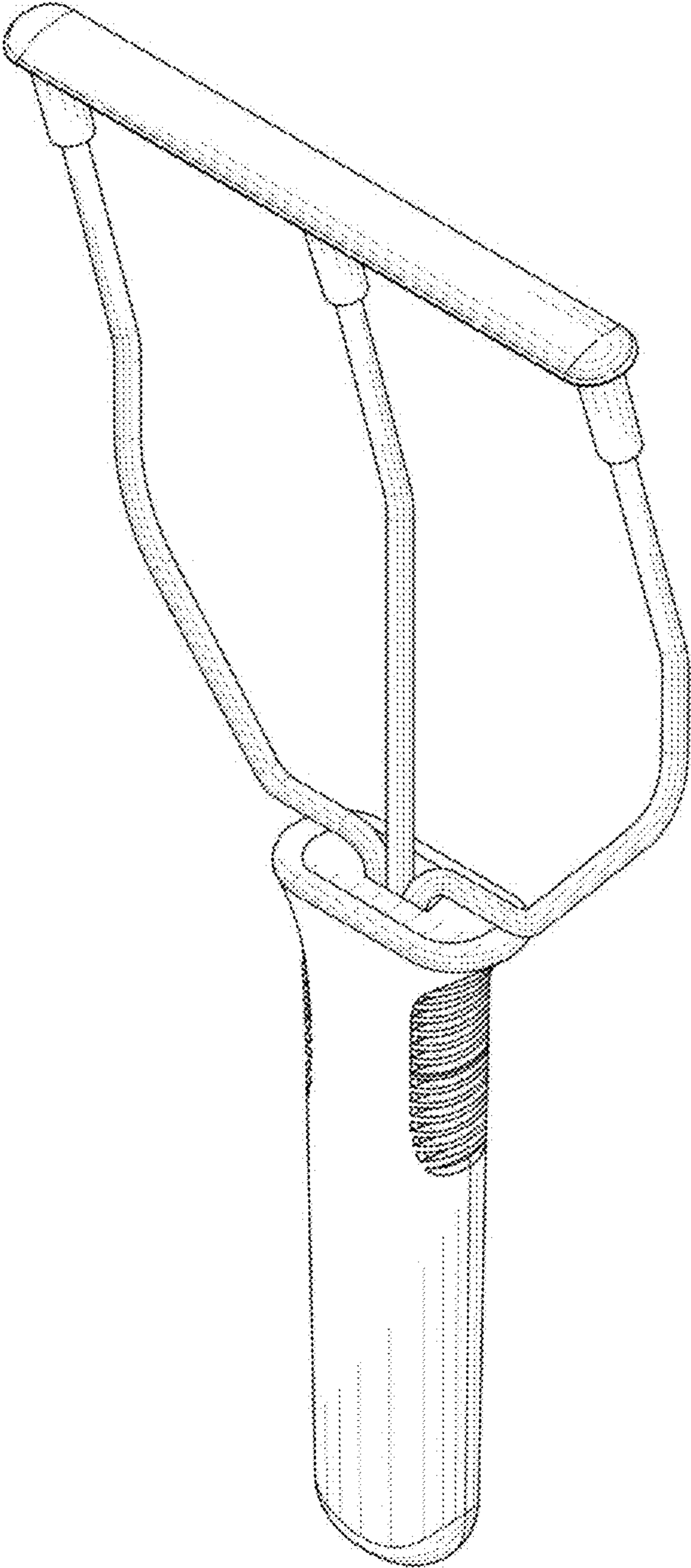


FIG. 1

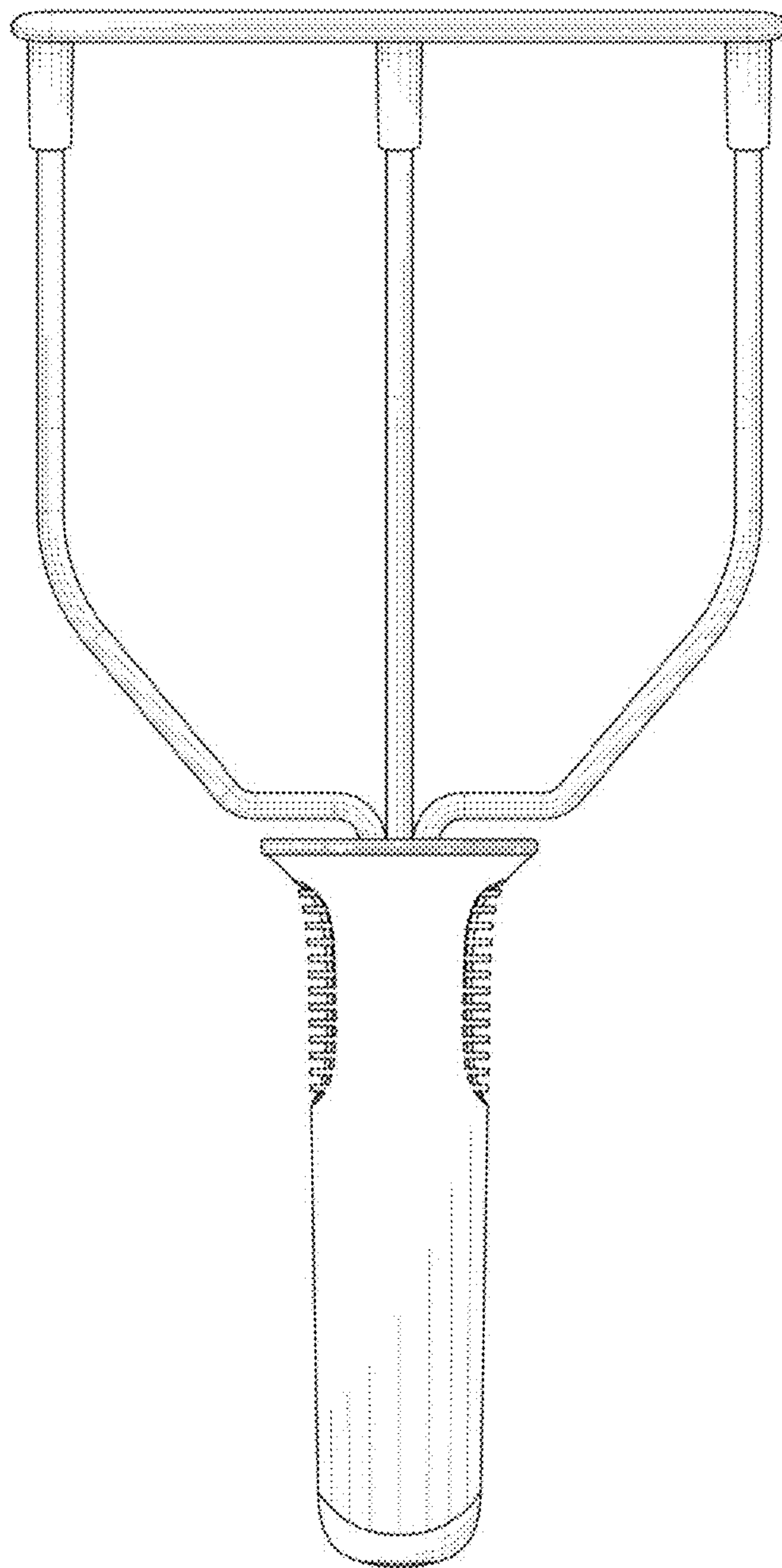


FIG. 2

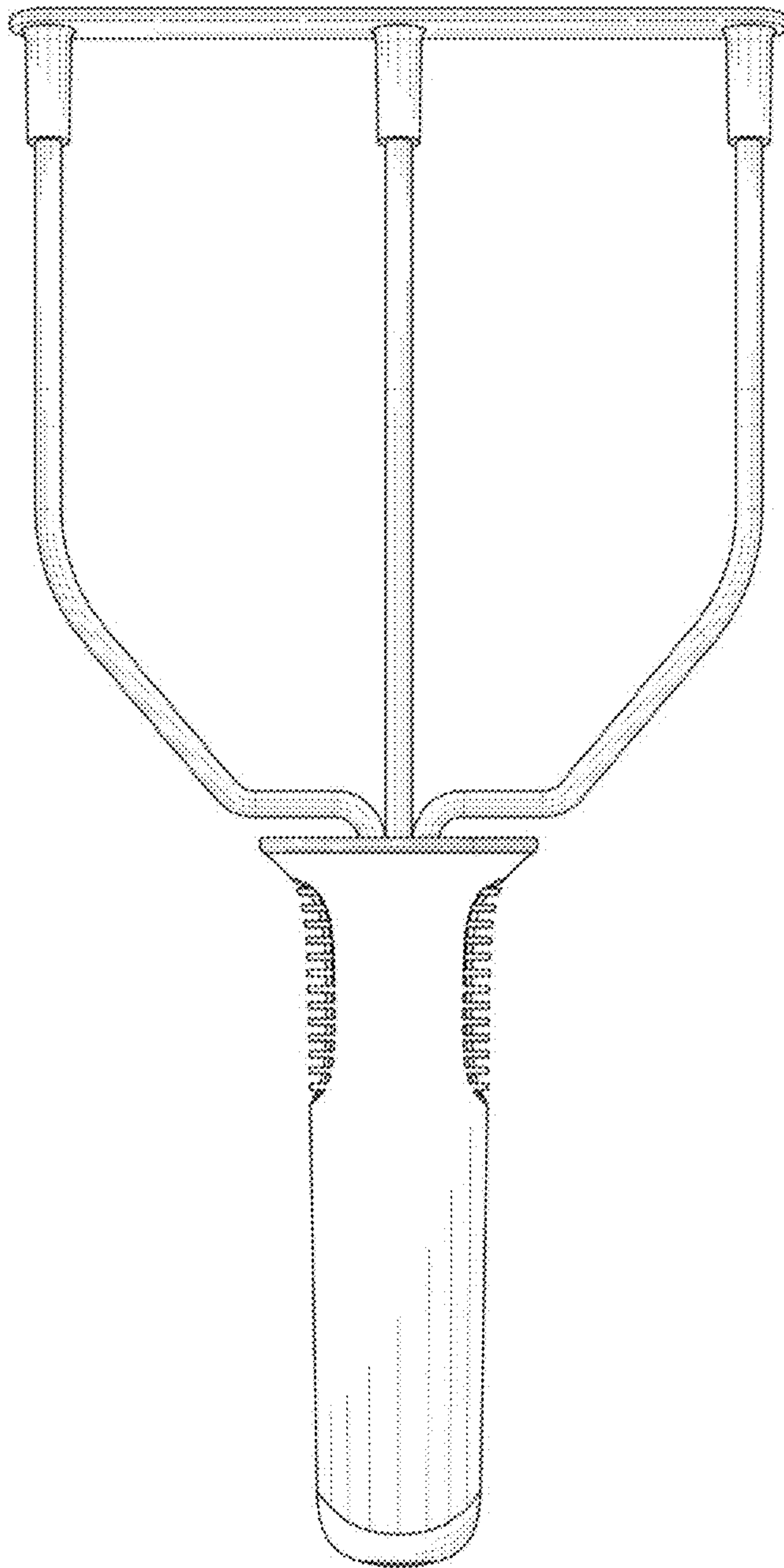


FIG. 3

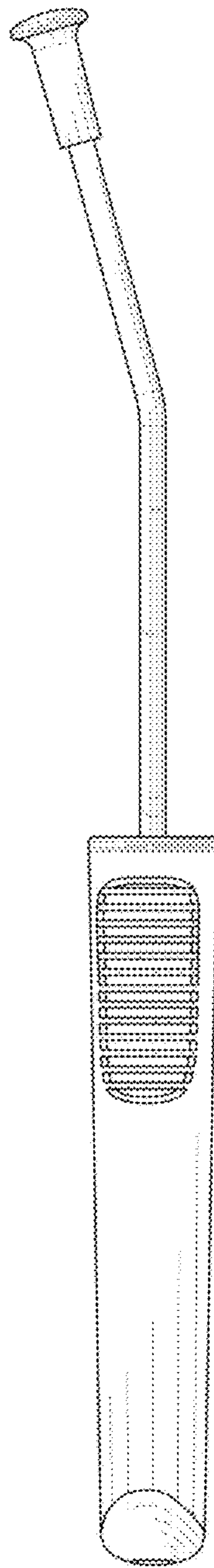


FIG. 4

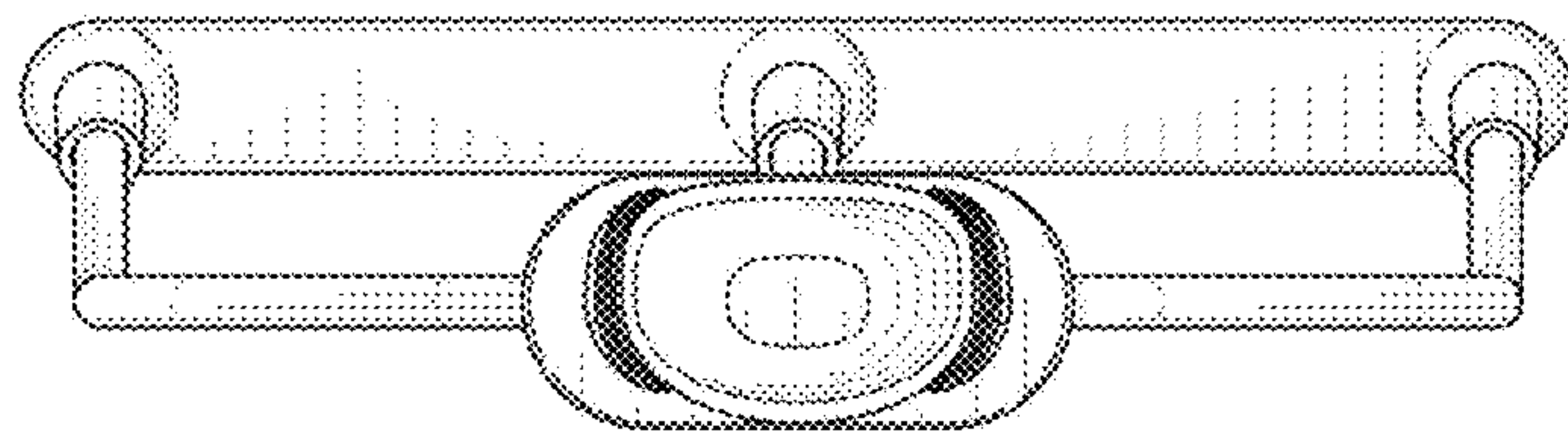


FIG. 5

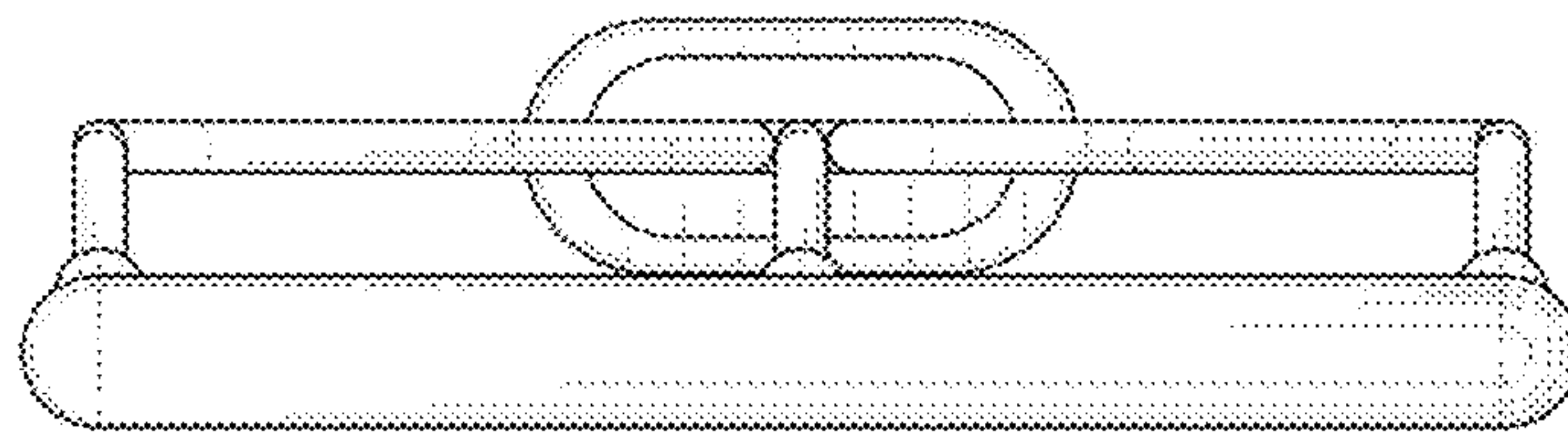


FIG. 6

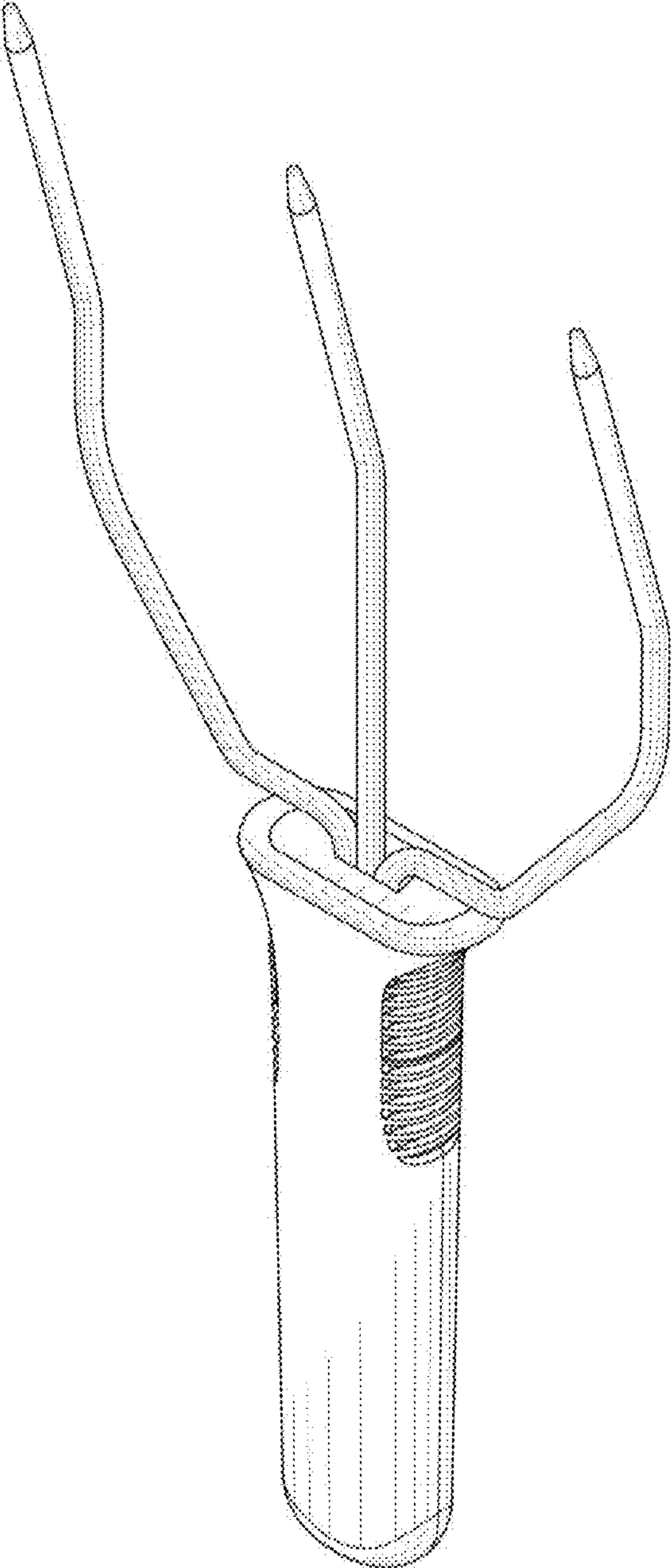


FIG. 7

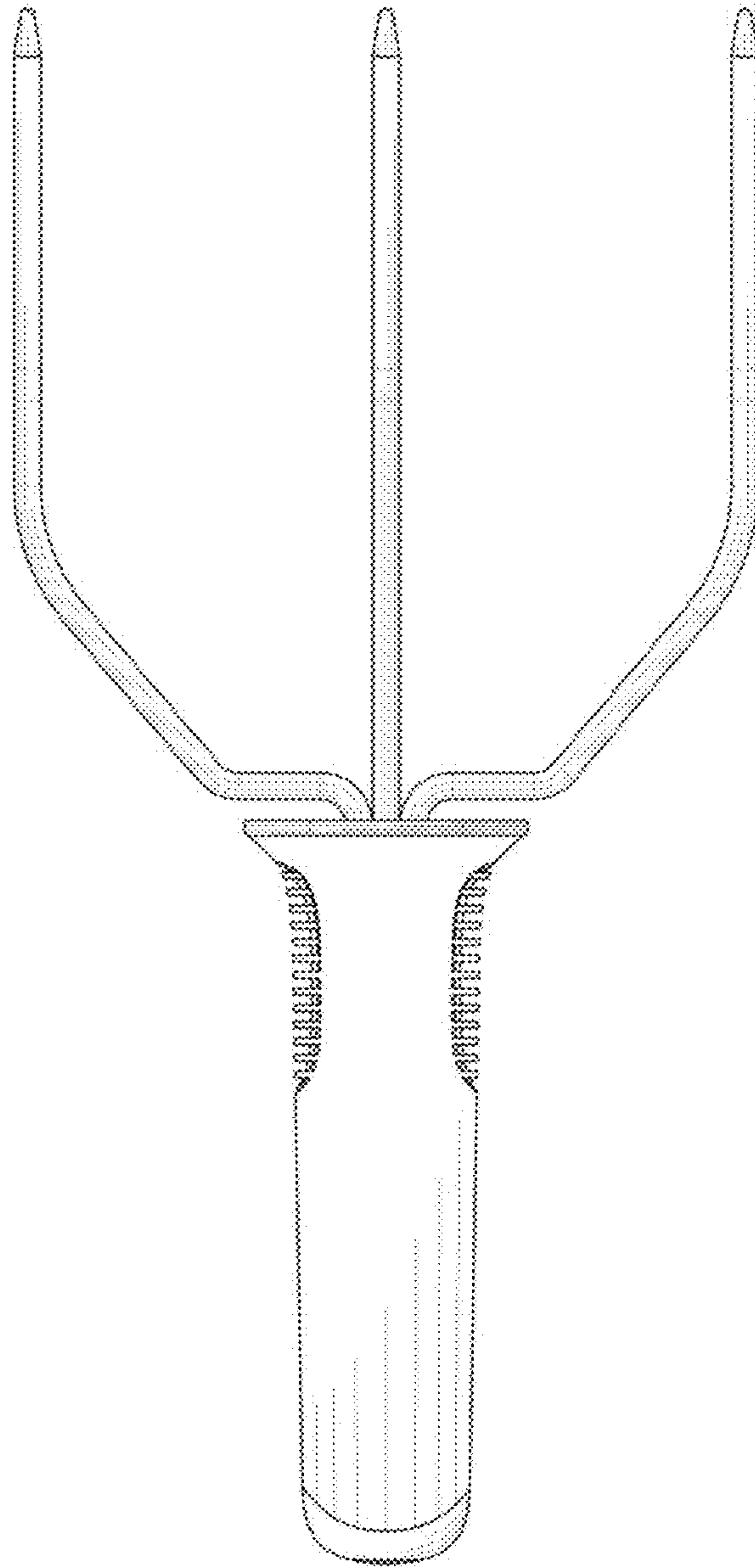


FIG. 8

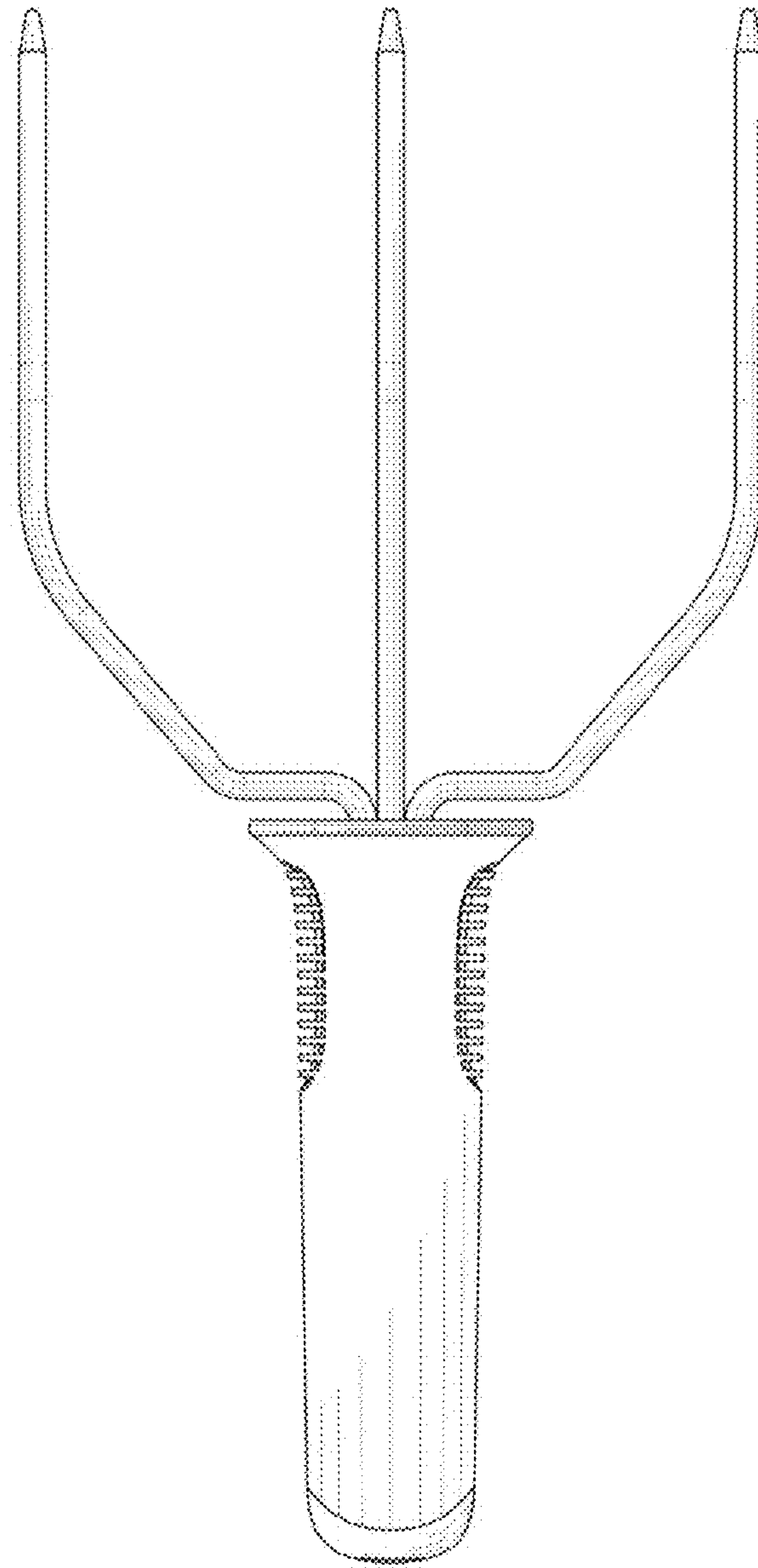


FIG. 9

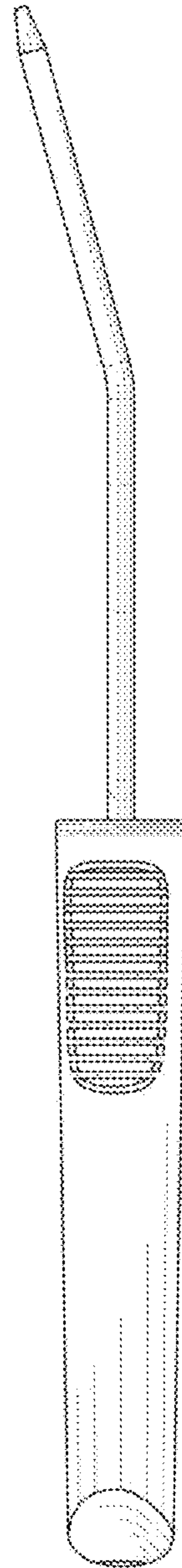


FIG. 10

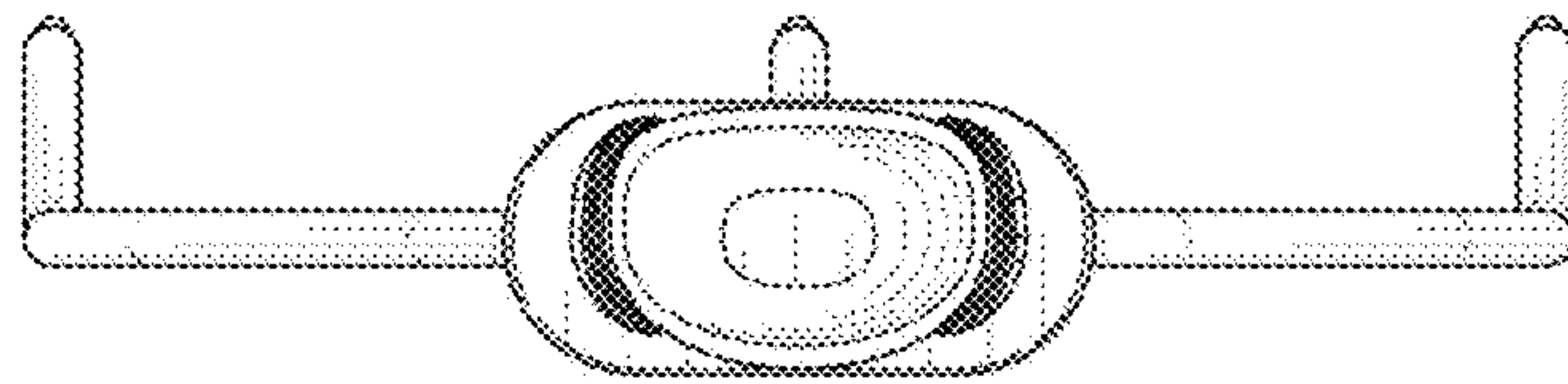


FIG. 11

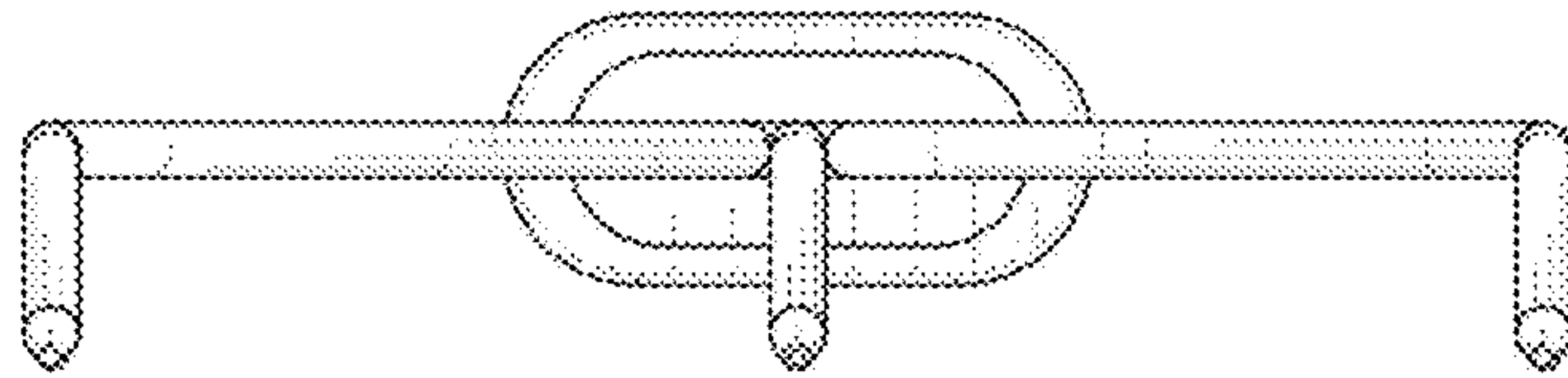


FIG. 12