



US00D906063S

(12) **United States Design Patent** (10) **Patent No.:** **US D906,063 S**
Gabbay (45) **Date of Patent:** **** Dec. 29, 2020**

(54) **KNIFE**

(71) Applicant: **GIBSON OVERSEAS INC,**
Commerce, CA (US)

(72) Inventor: **Soleiman Gabbay,** Commerce, CA
(US)

(**) Term: **15 Years**

(21) Appl. No.: **29/664,583**

(22) Filed: **Sep. 26, 2018**

(51) **LOC (12) Cl.** **07-03**

(52) **U.S. Cl.**
USPC **D7/650; D7/649**

(58) **Field of Classification Search**
 USPC D7/393–395, 401.2, 642–652, 693,
 D7/695–696; D8/93, 97–100, 107, 300,
 D8/321; D22/117–118
 CPC A01B 1/20; A01B 1/22; A22C 25/006;
 A47G 21/06; A47G 21/065; A61B
 17/3211; A61B 17/3213; B21D 53/64;
 B25G 3/36; B26B 1/00; B26B 1/08;
 B26B 1/10; B26B 3/00; B26B 3/02;
 B26B 3/03; B26B 3/04; B26B 3/06;
 B26B 5/00; B26B 5/001; B26B 5/007;
 B26B 7/00; B26B 7/005; B26B 9/00;
 B26B 9/02; B26B 11/00; B26B 11/006;
 B26B 17/00; B26B 17/006; B26B 29/02

See application file for complete search history.

(56) **References Cited**

U.S. PATENT DOCUMENTS

D269,244	S	*	6/1983	Becher	30/355
D324,326	S	*	3/1992	Lu	D7/649
6,044,566	A	*	4/2000	Ries	B26B 9/02 30/345
D500,233	S	*	12/2004	Overthun	D7/650
D545,637	S	*	7/2007	Curtin	D7/650
D557,081	S	*	12/2007	Hadj-Chikh	D7/649
D629,261	S	*	12/2010	Hollinger	D7/649
D649,841	S	*	12/2011	Lo	D7/649
D688,913	S	*	9/2013	Lo	D7/401.2
D714,103	S	*	9/2014	Kusanagi	D7/649
D773,904	S	*	12/2016	Kennedy	D7/649
D807,696	S	*	1/2018	Liu	D7/401.2
D815,897	S	*	4/2018	Insler	D7/401.2

* cited by examiner

Primary Examiner — Ricky Pham

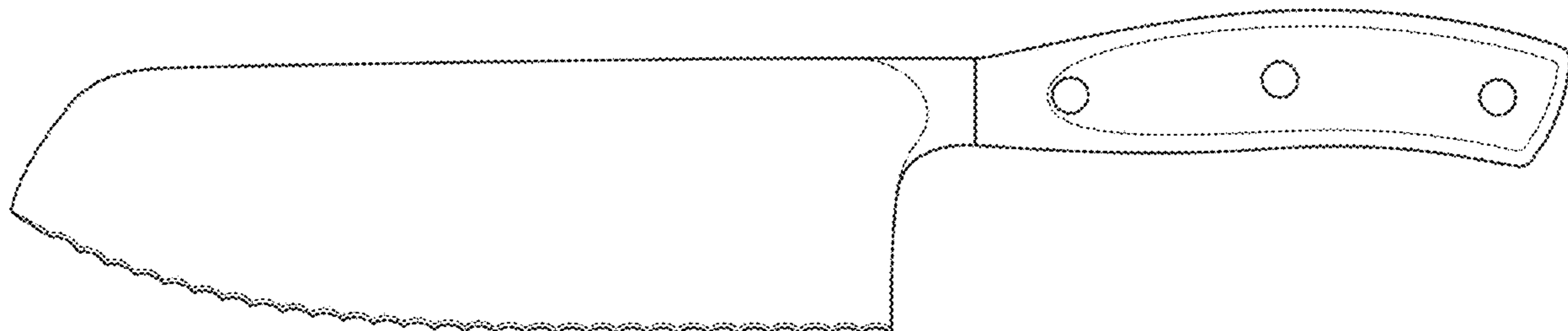
(57) **CLAIM**

The ornamental design for a knife, as shown and described.

DESCRIPTION

FIG. 1 is a top view of the knife.
 FIG. 2 is a side view of the knife of FIG. 1, the opposite side being a mirror image thereof.
 FIG. 3 is a bottom view of the knife of FIG. 1; and,
 FIG. 4 is a perspective view of the knife of FIG. 1.

1 Claim, 4 Drawing Sheets



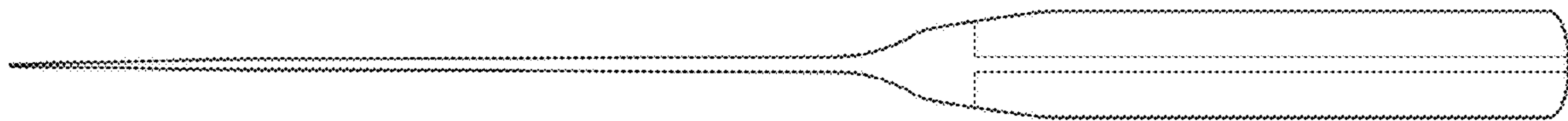


FIG. 1

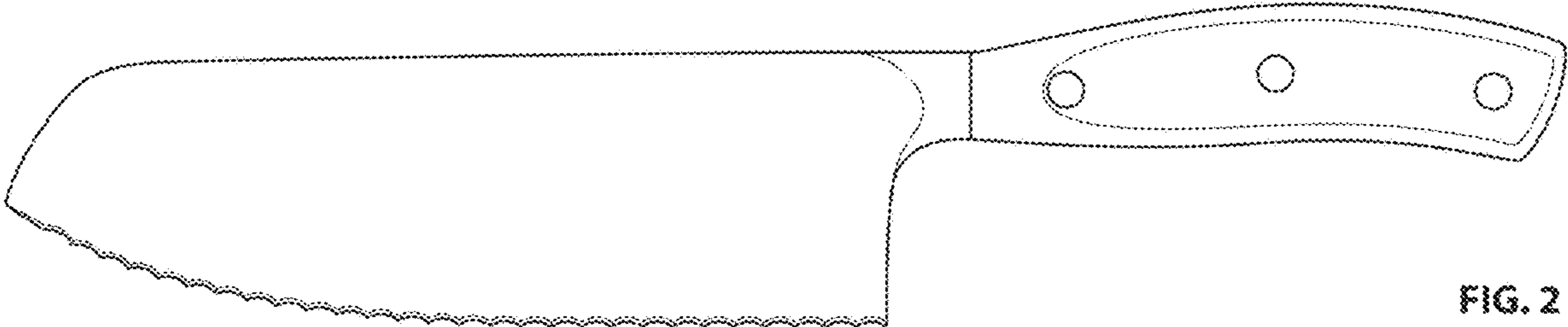


FIG. 2

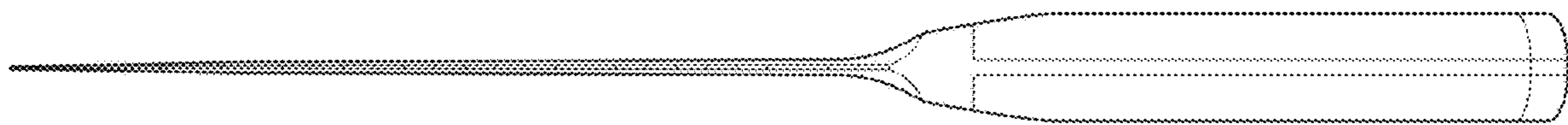


FIG. 3

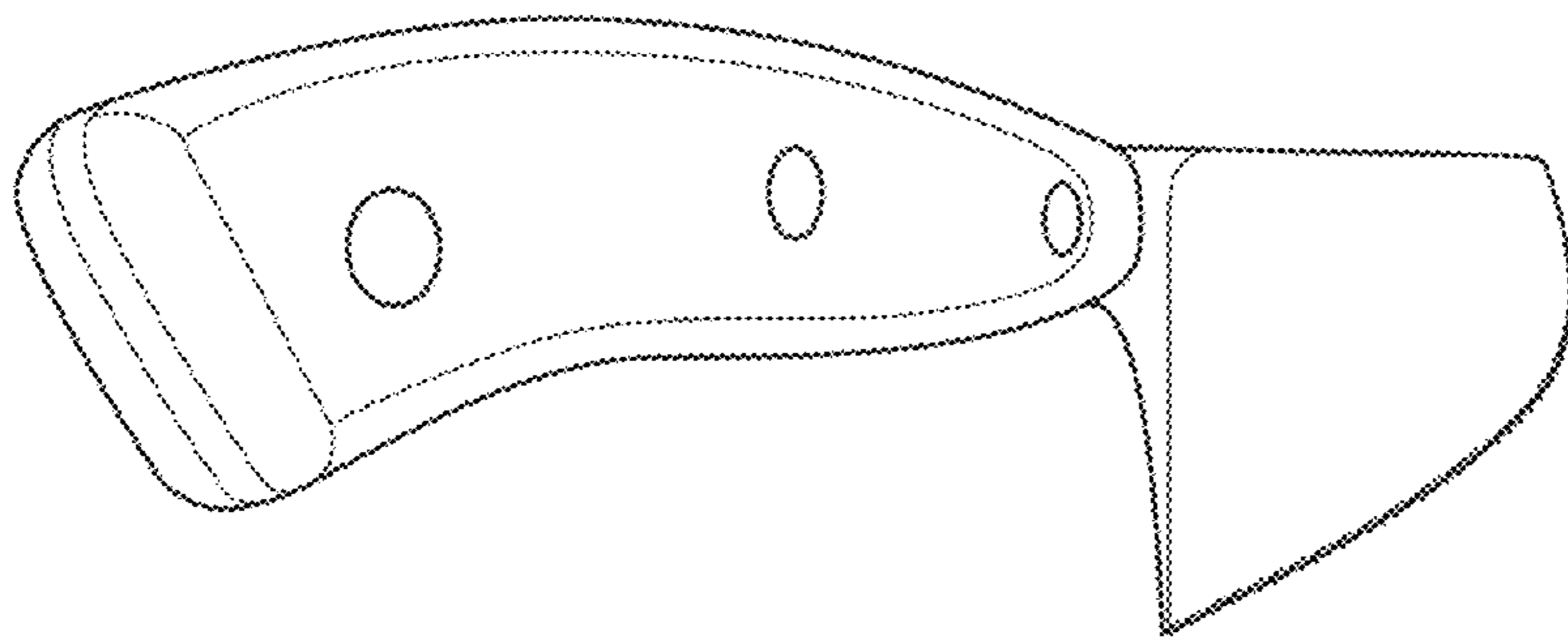


FIG. 4