



US00D906061S

(12) **United States Design Patent**
Stevens

(10) **Patent No.:** **US D906,061 S**

(45) **Date of Patent:** **** Dec. 29, 2020**

- (54) **UTENSIL TRAY**
- (71) Applicant: **DV International Inc.**, St. Paul, MN (US)
- (72) Inventor: **Hallie L. Stevens**, St. Paul, MN (US)
- (73) Assignee: **DV International, Inc.**, St. Paul, MN (US)
- (**) Term: **15 Years**
- (21) Appl. No.: **29/684,445**
- (22) Filed: **Mar. 21, 2019**
- (51) **LOC (12) Cl.** **07-07**
- (52) **U.S. Cl.**
USPC **D7/641**
- (58) **Field of Classification Search**
USPC D3/306; D6/566-574; D7/631, D7/637-641; 211/41.4, 70.7, 85.31, 211/90.03, 106, 126.8, 126.9, 133.2, 211/133.5; 220/485-488, 491; 248/37.3, 248/37.6, 153, 175
CPC . A47B 88/00; A47B 88/20; A47F 7/00; A47F 7/14; A47G 21/00; A47G 21/16; B65D 1/34; B65D 1/36; B65D 21/046; B65D 21/048; G09F 1/14
See application file for complete search history.

8,047,373 B2 * 11/2011 Murphy A47B 88/994 206/553
 D667,278 S * 9/2012 Murphy D7/637
 D707,501 S * 6/2014 Breuss D7/641
 D708,022 S * 7/2014 Breuss D7/641
 D711,691 S * 8/2014 Hu D7/637
 2004/0004420 A1 * 1/2004 Pine A47B 88/994 312/348.3

OTHER PUBLICATIONS

Made Smart Classic Utensil Tray, announced Nov. 2010, [online], site visited Apr. 9, 2020. Available from Internet, URL: <http://www.amazon.com> (Year: 2010).*

* cited by examiner

Primary Examiner — Janice Patyk
(74) *Attorney, Agent, or Firm* — Pauly, DeVries Smith & Deffner LLC

(57) **CLAIM**

The ornamental design for a utensil tray, as shown and described.

DESCRIPTION

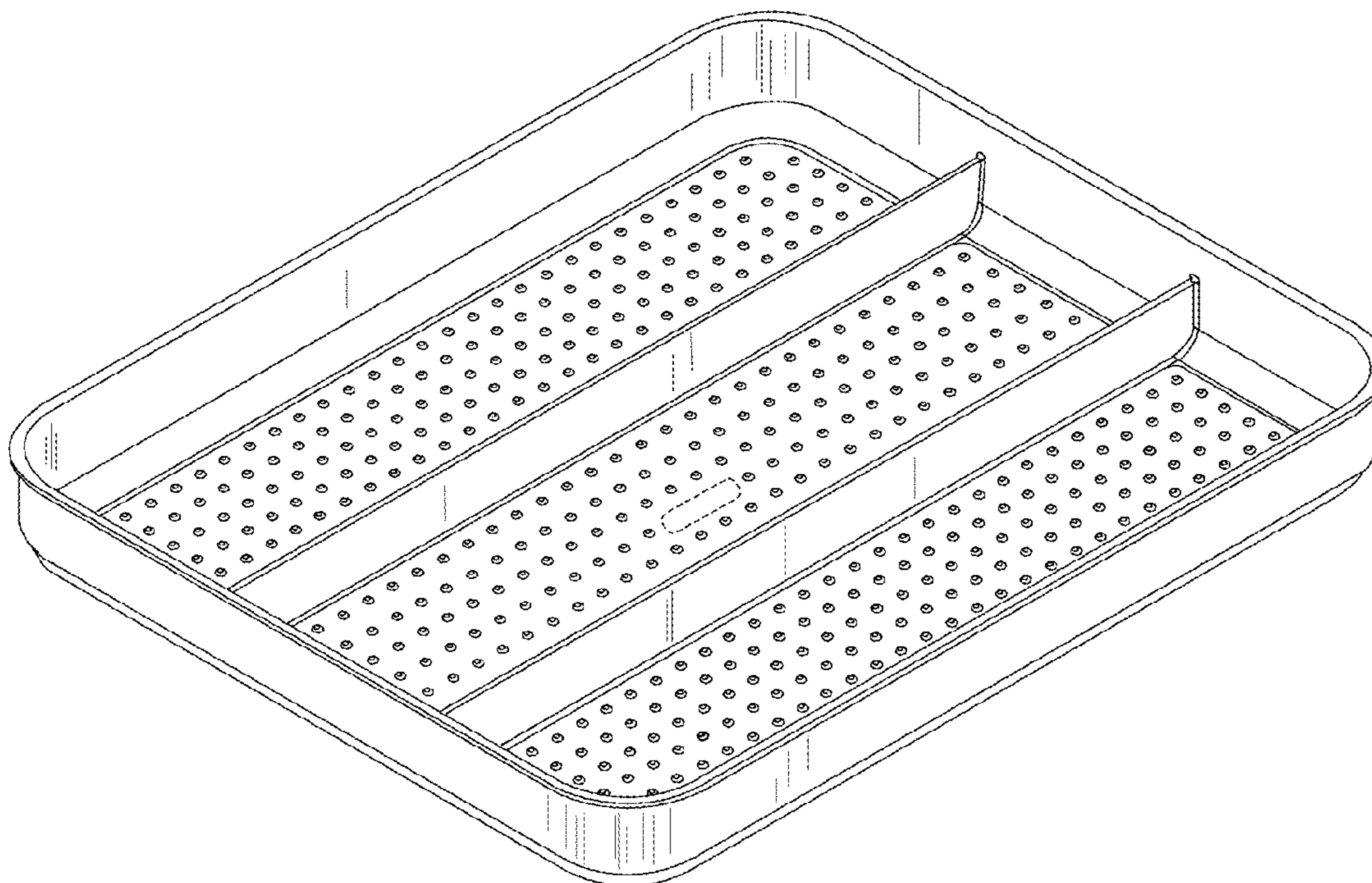
FIG. 1 is a perspective view of a utensil tray, showing my new design;
 FIG. 2 is a front elevational view thereof.
 FIG. 3 is a rear elevational view thereof.
 FIG. 4 is a right side elevational view thereof.
 FIG. 5 is a left side elevational view thereof.
 FIG. 6 is a top plan view thereof; and,
 FIG. 7 is a bottom plan view thereof.
 The broken lines in the figures illustrate the portions of the design that form no part of the claimed design.

(56) **References Cited**

U.S. PATENT DOCUMENTS

D332,553 S * 1/1993 Giugiaro D7/637
 D353,078 S * 12/1994 Davis D7/637
 D434,952 S * 12/2000 Diehl D7/637

1 Claim, 5 Drawing Sheets



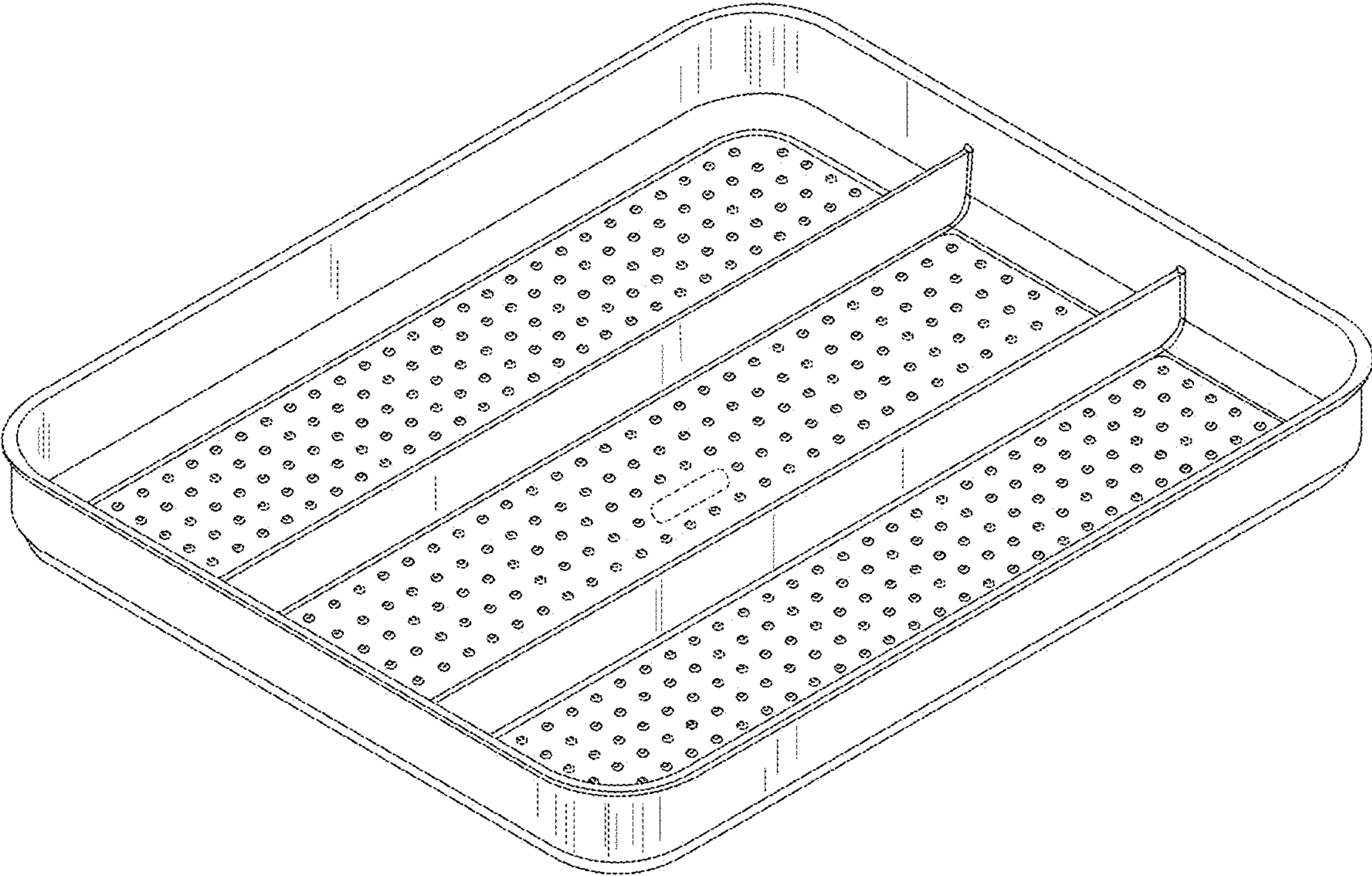


Fig. 1

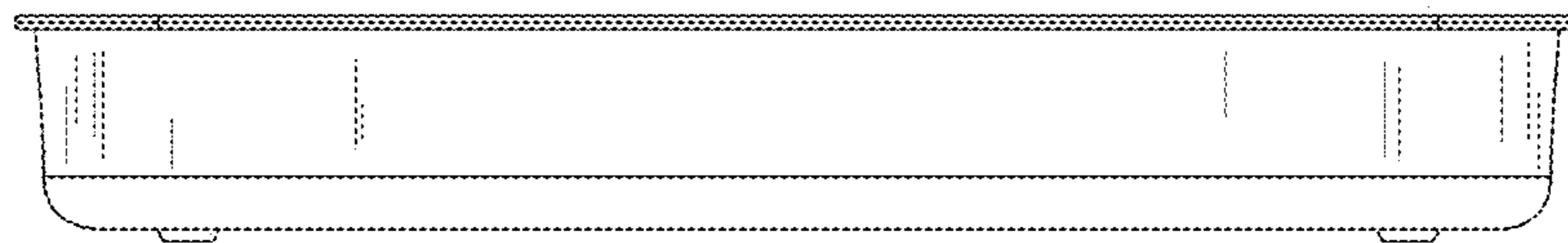


Fig. 2

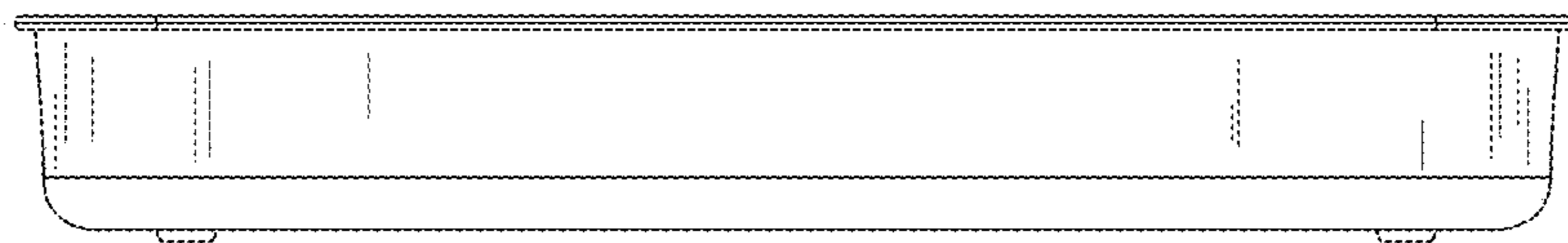


Fig. 3

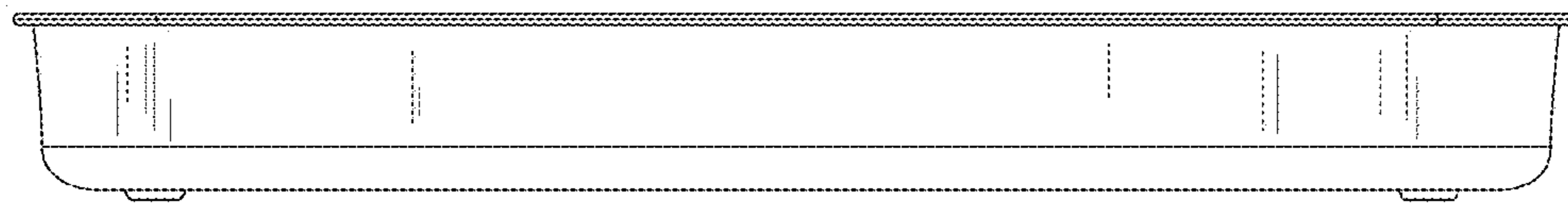


Fig. 4

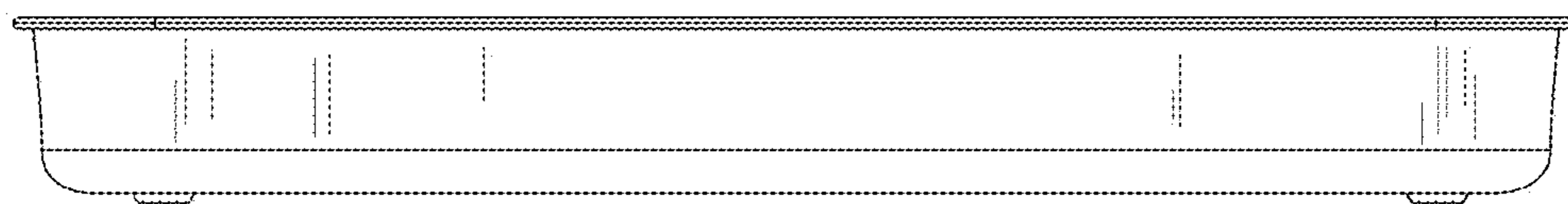


Fig. 5

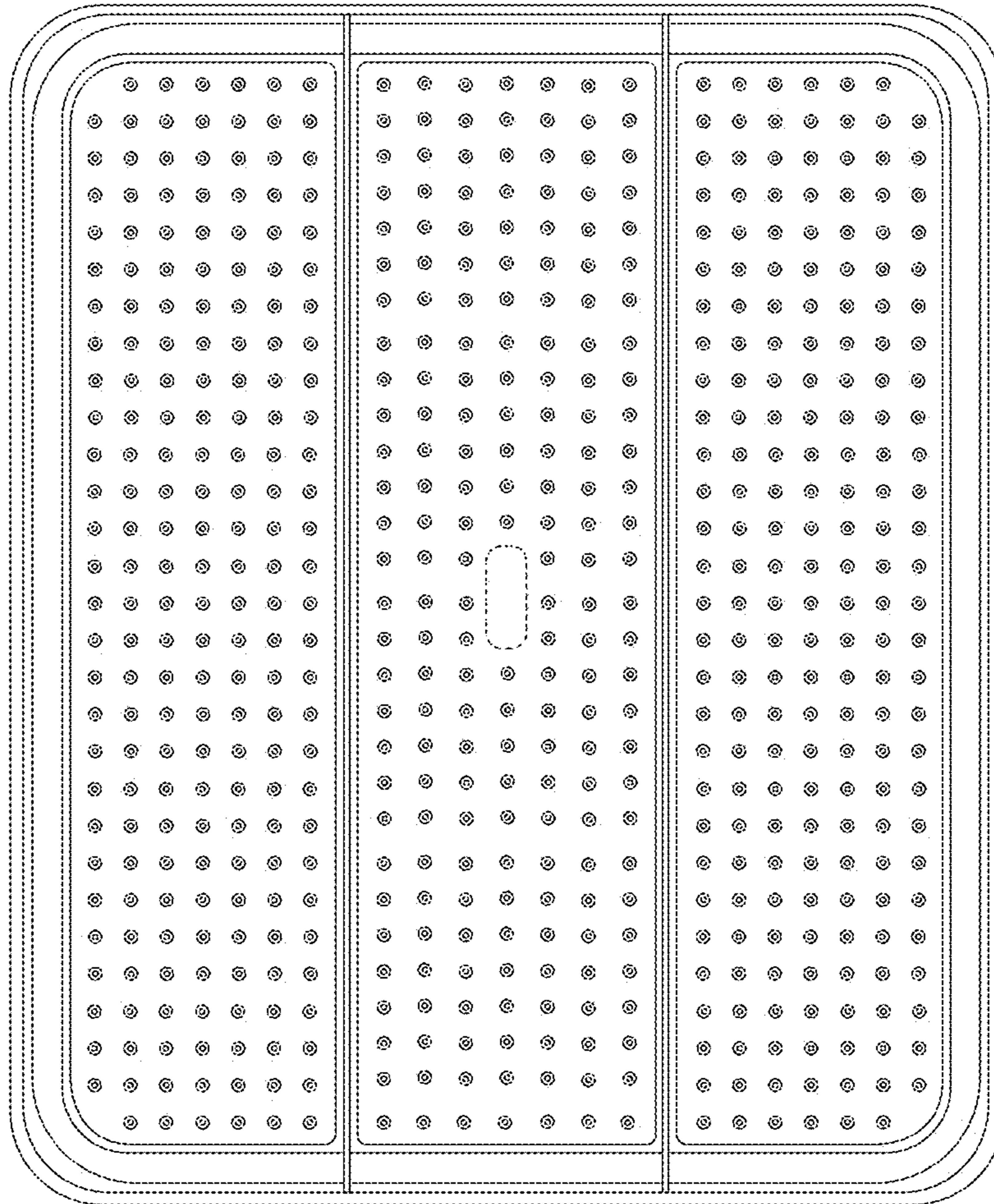


Fig. 6

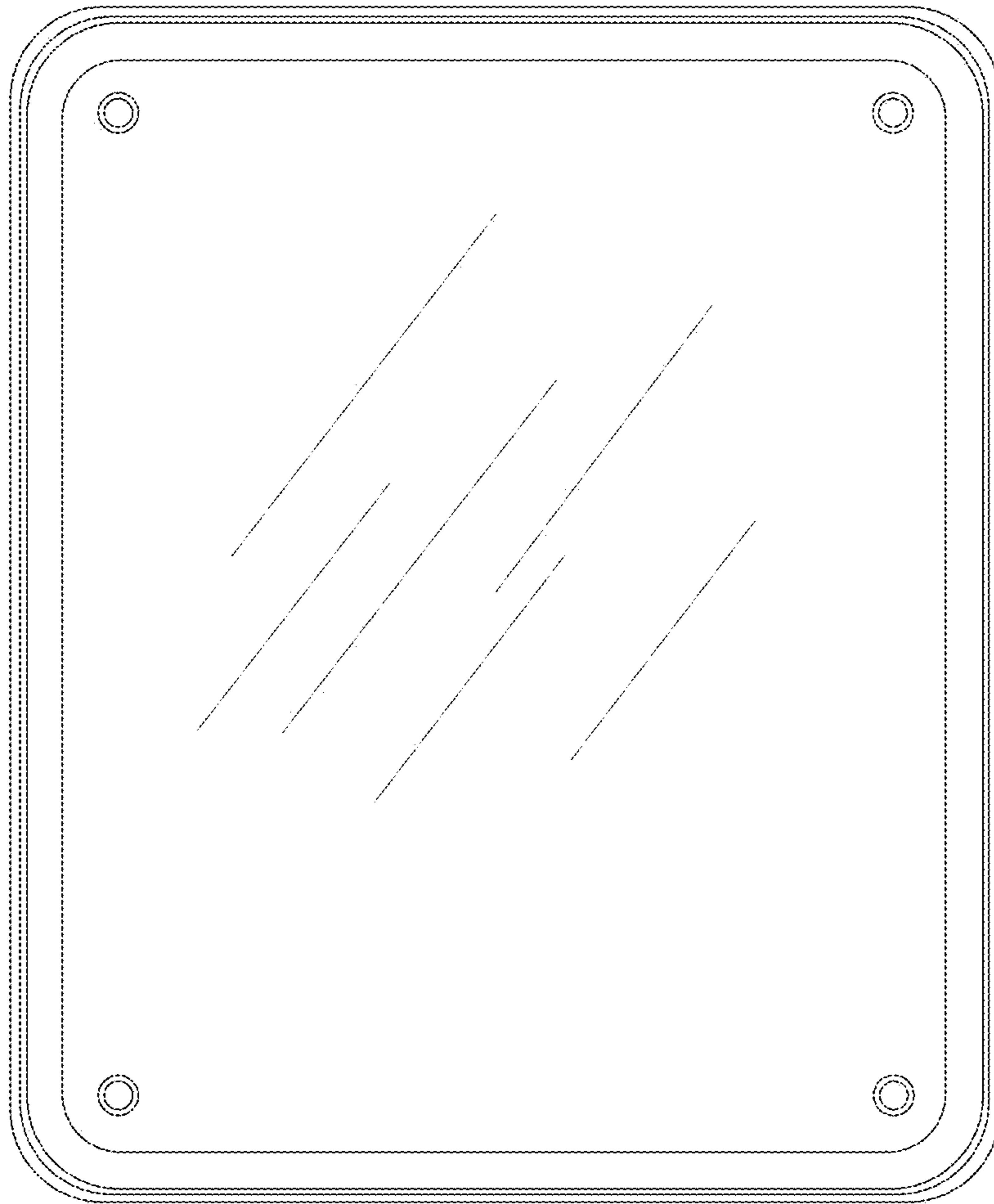


Fig. 7