



US00D906060S

(12) **United States Design Patent** (10) **Patent No.:** **US D906,060 S**  
**Stevens** (45) **Date of Patent:** **\*\* Dec. 29, 2020**

(54) **SILVERWARE TRAY**  
(71) Applicant: **DV International Inc.**, St. Paul, MN (US)  
(72) Inventor: **Hallie L. Stevens**, St. Paul, MN (US)  
(73) Assignee: **DV International Inc.**, St. Paul, MN (US)

D434,952 S \* 12/2000 Diehl ..... D7/637  
8,047,373 B2 \* 11/2011 Murphy ..... A47B 88/994  
206/553  
D667,278 S \* 9/2012 Murphy ..... D7/637  
D707,501 S \* 6/2014 Breuss ..... D7/641  
D708,022 S \* 7/2014 Breuss ..... D7/641  
D711,691 S \* 8/2014 Hu ..... D7/637  
2004/0004420 A1 \* 1/2004 Pine ..... A47B 88/994  
312/348.3

(\*\*) Term: **15 Years**  
(21) Appl. No.: **29/686,177**

(22) Filed: **Apr. 2, 2019**  
(51) **LOC (12) Cl.** ..... **07-07**  
(52) **U.S. Cl.**  
USPC ..... **D7/637**  
(58) **Field of Classification Search**  
USPC ..... D3/306; D6/566-574; D7/631,  
D7/637-641; 211/41.4, 70.7, 85.31,  
211/90.03, 106, 126.8, 126.9, 133.2,  
211/133.5; 220/485-488, 491; 248/37.3,  
248/37.6, 153, 175  
CPC . A47B 88/00; A47B 88/20; A47F 7/00; A47F  
7/14; A47G 21/00; A47G 21/16; B65D  
1/34; B65D 1/36; B65D 21/046; B65D  
21/048; G09F 1/14  
See application file for complete search history.

(56) **References Cited**  
U.S. PATENT DOCUMENTS

D332,553 S \* 1/1993 Giugiaro ..... D7/637  
D353,078 S \* 12/1994 Davis ..... D7/637

**OTHER PUBLICATIONS**

Made Smart Classic Mini Silverware Tray, announced Feb. 2016, [online], site visited Apr. 9, 2020. Available from Internet, URL: <http://www.amazon.com> (Year: 2016).\*

\* cited by examiner

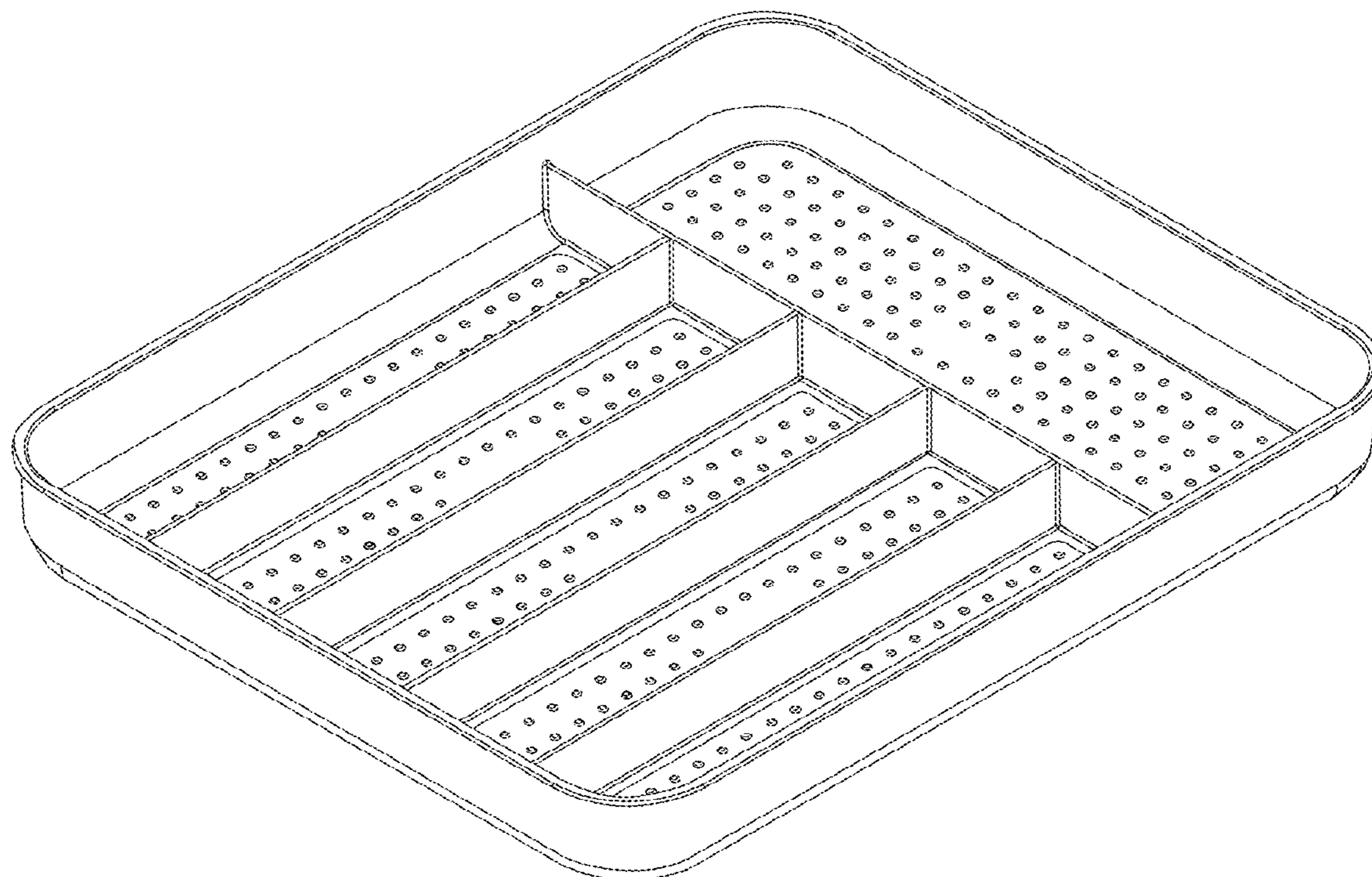
*Primary Examiner* — Janice Patyk  
(74) *Attorney, Agent, or Firm* — Pauly, DeVries Smith & Deffner LLC

(57) **CLAIM**  
The ornamental design for a silverware tray, as shown and described.

**DESCRIPTION**

FIG. 1 is a perspective view of a silverware tray, showing my new design;  
FIG. 2 is a front elevational view thereof;  
FIG. 3 is a rear elevational view thereof;  
FIG. 4 is a right side elevational view thereof;  
FIG. 5 is a left side elevational view thereof;  
FIG. 6 is a top plan view thereof; and,  
FIG. 7 is a bottom plan view thereof.

**1 Claim, 5 Drawing Sheets**



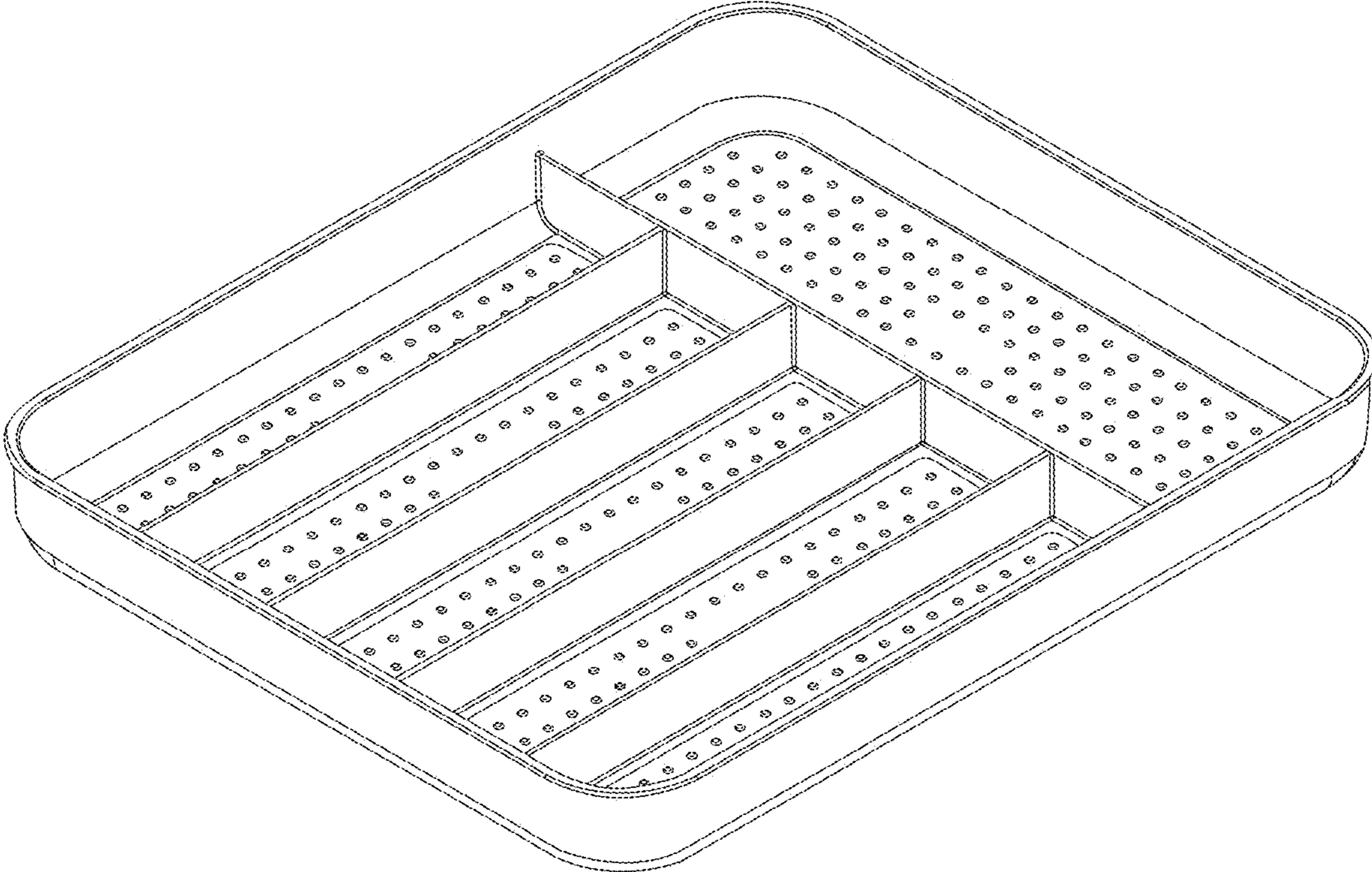


Fig. 1

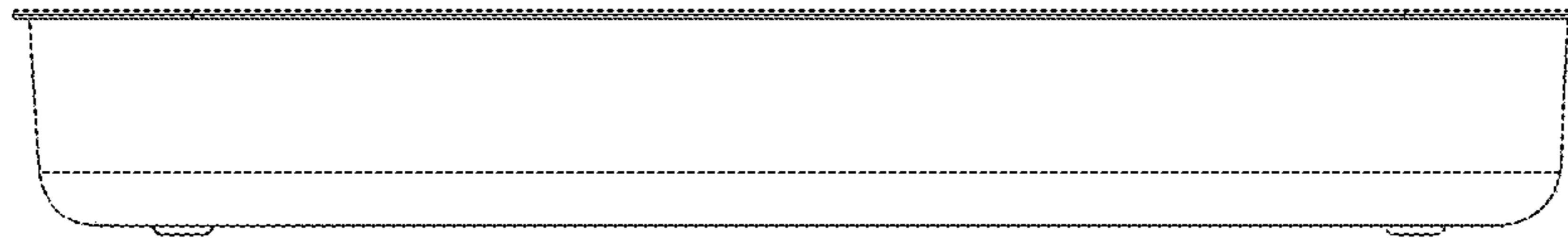


Fig. 2

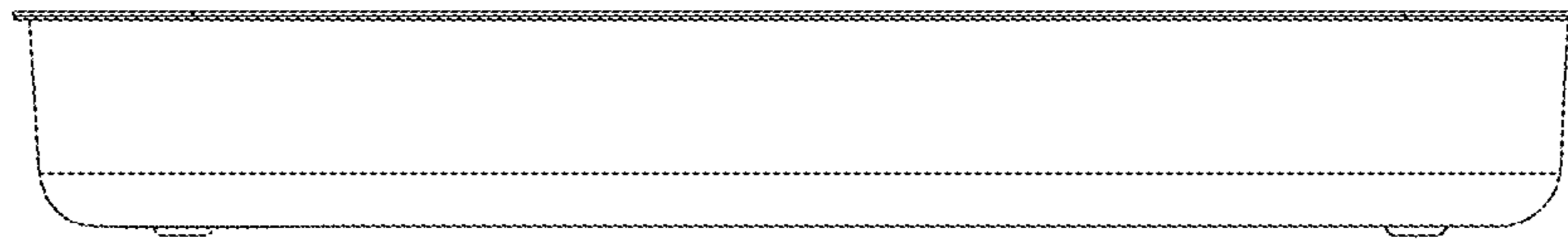


Fig. 3

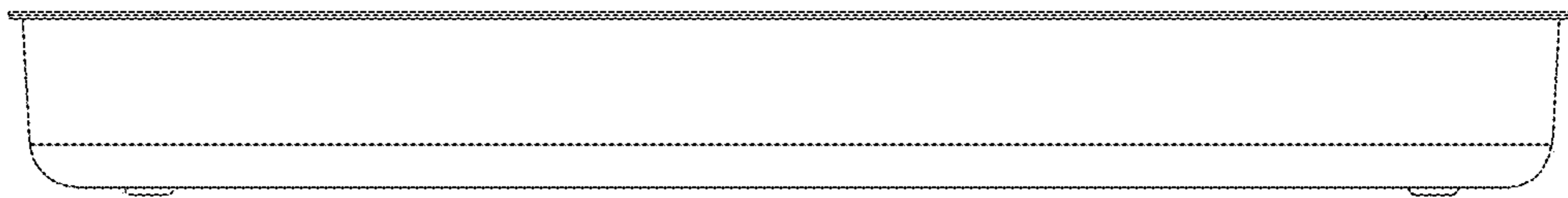


Fig. 4

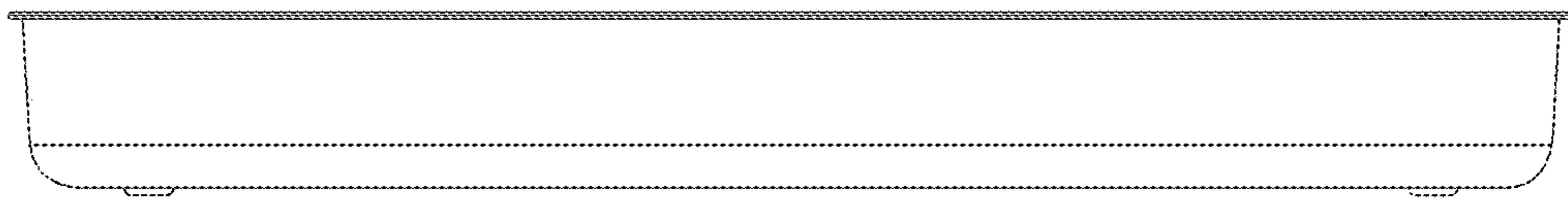


Fig. 5

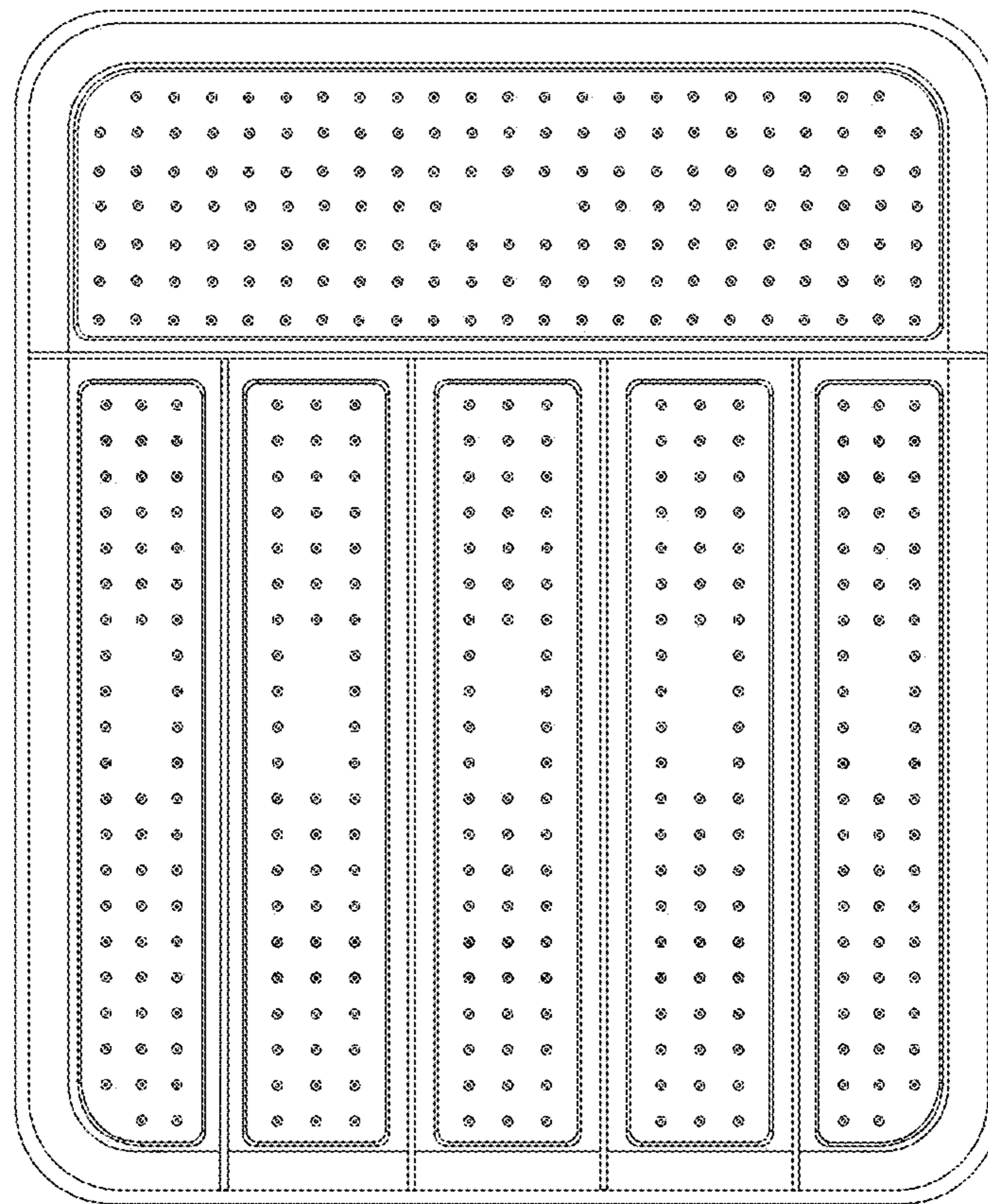


Fig. 6

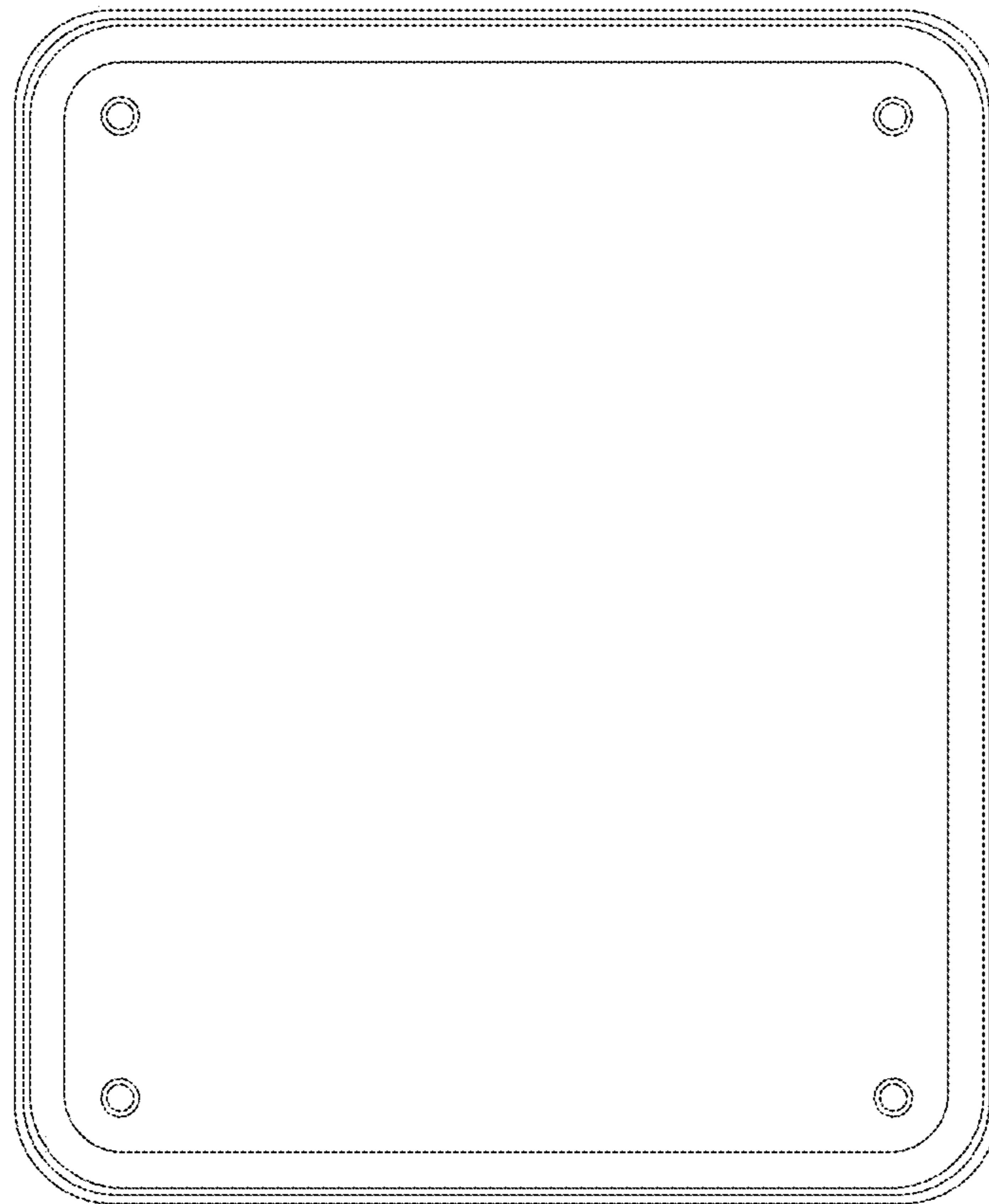


Fig. 7