



US00D906058S

(12) **United States Design Patent** (10) **Patent No.:** **US D906,058 S**
Sullivan et al. (45) **Date of Patent:** **** Dec. 29, 2020**

(54) **COOLER BAG**
(71) Applicant: **YETI Coolers, LLC**, Austin, TX (US)
(72) Inventors: **Derek G. Sullivan**, Austin, TX (US);
Roy Joseph Seiders, Austin, TX (US);
Andrew M. Bosway, Austin, TX (US);
Karl Fritzsche, Seattle, WA (US)
(73) Assignee: **YETI Coolers, LLC**, Austin, TX (US)
(**) Term: **15 Years**
(21) Appl. No.: **29/661,082**
(22) Filed: **Aug. 24, 2018**

4,805,776 A 2/1989 Namgyal et al.
4,826,060 A 5/1989 Hollingsworth
5,509,279 A 4/1996 Brown et al.
5,553,759 A 9/1996 McMaster et al.
5,732,867 A 3/1998 Perkins et al.
D409,376 S 5/1999 Golenz et al.
5,954,253 A 9/1999 Swetish
6,048,099 A 4/2000 Muffett et al.
6,129,254 A 10/2000 Yu
D437,110 S 2/2001 Ivarson et al.
D447,632 S * 9/2001 Gisser D3/276
D447,667 S * 9/2001 Schneider D3/287
D457,307 S 5/2002 Pukall et al.
6,626,342 B1 9/2003 Gleason
D535,099 S 1/2007 Johansson et al.
D547,941 S 8/2007 Lucena
D645,662 S * 9/2011 Perez D3/216
D662,316 S 6/2012 Nitkin

(Continued)

Related U.S. Application Data

(63) Continuation of application No. 29/630,763, filed on Dec. 22, 2017, which is a continuation of application No. 29/566,696, filed on Jun. 1, 2016, now Pat. No. Des. 805,851.
(51) **LOC (12) Cl.** **07-99**
(52) **U.S. Cl.**
USPC **D7/607**; D3/318
(58) **Field of Classification Search**
USPC D3/273, 276, 284, 283, 285, 287, 289,
D3/290, 900, 902, 904, 227, 230, 217,
D3/243, 232, 318; D7/709, 605, 607
CPC A45C 2003/007; A45C 2003/008; A45C
3/02; A45C 7/0059; A45C 11/20; A45C
3/00

See application file for complete search history.

References Cited

U.S. PATENT DOCUMENTS

2,960,136 A 11/1960 Ziff
3,157,303 A 11/1964 Siegel
3,834,044 A 9/1974 McAusland et al.
D284,620 S 7/1986 Calton

OTHER PUBLICATIONS

Youtube, "Yeti Hopper Cooler at ICAST 2014", Uploaded Jul. 17, 2014. (<https://www.youtube.com/watch?v=A2rKRdyZcZ4>) (Year: 2014).*

(Continued)

Primary Examiner — April Rivas

(74) *Attorney, Agent, or Firm* — Banner & Witcoff, Ltd.

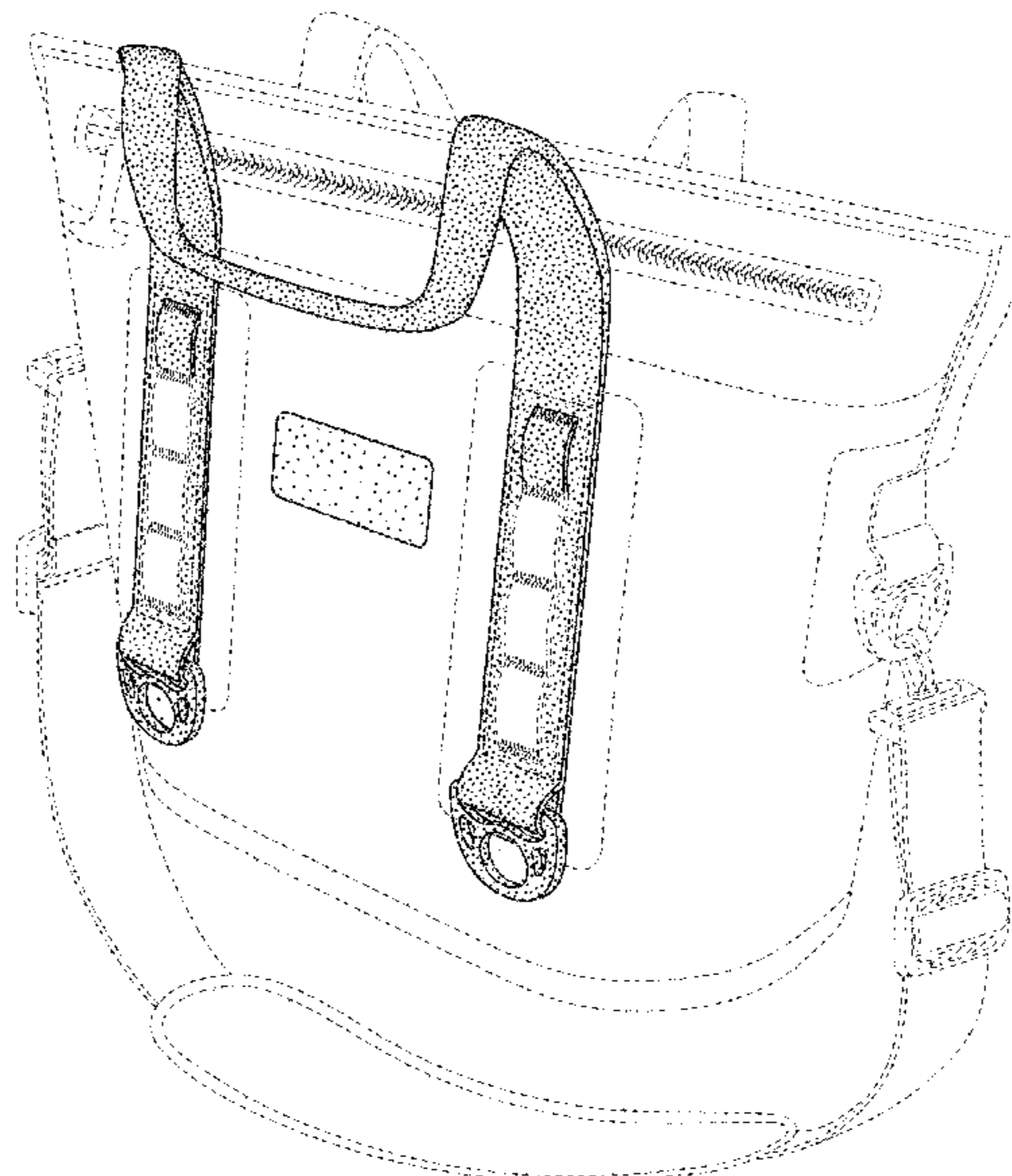
CLAIM

(57) The ornamental design for a cooler bag, as shown and described.

DESCRIPTION

FIG. 1 is a top, front, right perspective view of a cooler bag showing our new design; and, FIG. 2 is a front view thereof. The broken lines and the unshaded areas within illustrate portions of the cooler bag and form no part of the claimed design.

1 Claim, 2 Drawing Sheets



(56)

References Cited

U.S. PATENT DOCUMENTS

D673,363 S 1/2013 Crandall
 8,875,964 B1 11/2014 Vanderberg
 8,893,940 B2 11/2014 Green et al.
 D732,295 S 6/2015 Aafjes
 D732,348 S 6/2015 Seiders et al.
 D732,349 S 6/2015 Seiders et al.
 D732,350 S 6/2015 Seiders et al.
 D732,899 S 6/2015 Seiders et al.
 D734,643 S * 7/2015 Boroski D7/605
 D752,347 S * 3/2016 Seiders D3/318
 9,375,061 B2 6/2016 Mosee
 D764,873 S 8/2016 Collie
 9,408,445 B2 8/2016 Mogil et al.
 D765,395 S 9/2016 Sanz
 D768,981 S 10/2016 Kliot
 D786,559 S * 5/2017 Seiders D3/318
 D786,561 S * 5/2017 Seiders D3/318
 D793,089 S 8/2017 Jackson
 D797,454 S * 9/2017 Seiders D3/318
 D800,443 S 10/2017 Burton et al.
 9,796,517 B2 10/2017 Seiders et al.
 D805,851 S * 12/2017 Sullivan D7/607
 D808,173 S 1/2018 Seiders et al.
 D808,175 S 1/2018 Seiders et al.
 D808,655 S 1/2018 Seiders et al.
 D808,730 S * 1/2018 Sullivan D7/607
 D811,746 S * 3/2018 Seiders D3/318
 D813,539 S * 3/2018 Van Assche D3/283
 D819,966 S 6/2018 Yu
 D819,967 S 6/2018 Carter et al.
 D821,825 S * 7/2018 Sullivan D7/607
 D822,997 S * 7/2018 Seiders D3/318
 D823,601 S 7/2018 Seiders et al.
 D823,602 S 7/2018 Seiders et al.
 D824,660 S 8/2018 Ross
 D824,666 S 8/2018 Carter et al.
 D824,671 S 8/2018 Pennington
 D824,731 S * 8/2018 Sullivan D7/607
 D827,299 S 9/2018 Vickery
 D828,112 S 9/2018 Furneaux et al.
 D828,728 S 9/2018 Jacobsen
 D829,244 S 9/2018 Sullivan et al.
 D830,048 S 10/2018 McQueeney
 D830,132 S 10/2018 Sullivan et al.
 D830,133 S 10/2018 Sullivan et al.
 D830,134 S 10/2018 Sullivan et al.
 D832,653 S 11/2018 Waskow et al.
 D834,817 S 12/2018 Hoppe et al.
 D834,895 S 12/2018 Triska et al.
 D835,473 S 12/2018 Jacobsen
 D835,949 S 12/2018 Triska et al.
 D836,996 S 1/2019 Jacobsen
 D836,997 S 1/2019 Jacobsen
 D836,998 S 1/2019 Jacobsen
 D836,999 S 1/2019 Jacobsen

D837,000 S 1/2019 Jacobsen
 D837,001 S 1/2019 Jacobsen
 D839,682 S 2/2019 Jacobsen
 D840,194 S 2/2019 Furneaux et al.
 D840,689 S 2/2019 Seiders et al.
 D841,325 S 2/2019 Buynar
 D844,975 S 4/2019 Munie et al.
 D844,976 S 4/2019 Munie et al.
 D844,977 S 4/2019 Munie et al.
 D844,978 S 4/2019 Munie et al.
 D844,979 S 4/2019 Munie et al.
 D844,992 S 4/2019 Seiders et al.
 D845,625 S 4/2019 Barlier
 D846,275 S 4/2019 Barlier
 D847,500 S 5/2019 Lagerfeld
 D848,219 S 5/2019 Munie et al.
 D848,220 S 5/2019 Munie et al.
 D848,221 S 5/2019 Munie et al.
 D848,222 S 5/2019 Munie et al.
 D848,223 S 5/2019 Munie et al.
 D848,798 S 5/2019 Munie et al.
 D849,486 S 5/2019 Munie et al.
 2003/0149461 A1 8/2003 Johnson
 2005/0056669 A1 3/2005 Lavelle
 2005/0133399 A1 6/2005 Fidrych
 2006/0021376 A1 2/2006 Scroggs
 2012/0261445 A1 10/2012 Demskey
 2016/0100661 A1 4/2016 Redzisz et al.
 2016/0198901 A1 7/2016 De Lesseux et al.
 2016/0236849 A1 8/2016 Seiders et al.
 2016/0255943 A1 9/2016 Houston et al.
 2017/0036844 A1 2/2017 Seiders et al.
 2017/0099920 A1 4/2017 Bailey
 2017/0210542 A1 7/2017 Seiders et al.
 2017/0225872 A1 8/2017 Collie
 2018/0016084 A1 1/2018 Xia et al.
 2018/0098607 A1 4/2018 Seiders et al.
 2018/0162626 A1 6/2018 Munie et al.
 2018/0242701 A1 8/2018 Seiders et al.
 2018/0263346 A1 9/2018 Stephens
 2018/0279733 A1 10/2018 Young et al.
 2018/0317620 A1 11/2018 Larson et al.
 2019/0170422 A1 6/2019 Dexter

OTHER PUBLICATIONS

United States District Court Western District of Texas, Austin Division, "Complaint for Damages and Injunctive Relief," *Yeti Coolers, LLC v. Olympia Tools International, Inc. d/b/a Coho Outdoors*, Case 1:19-cv-00912, Document 1, filed Sep. 16, 2019, 235 pages.

United States District Court Western District of Texas, Austin Division, "Defendant Olympia Tools International, Inc. d/b/a Coho Outdoors' Answer and Counterclaims to Plaintiff's Original Complaint," *Yeti Coolers, LLC v. Olympia Tools International, Inc. d/b/a Coho Outdoors*, Case 1:19-cv-00912, filed Dec. 18, 2019, 48 pages.

* cited by examiner



FIG. 1

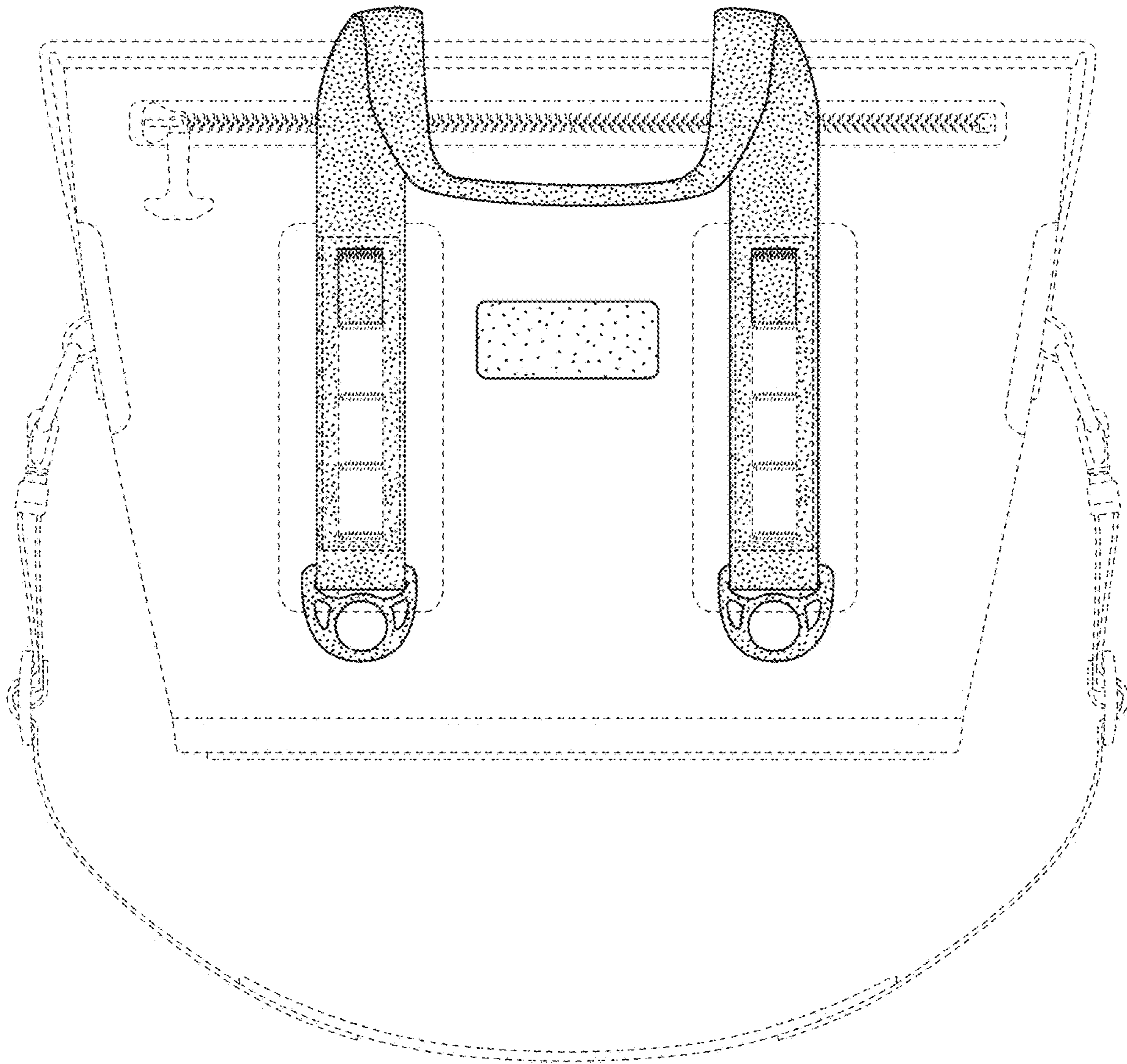


FIG. 2