



US00D906057S

(12) **United States Design Patent** (10) **Patent No.:** **US D906,057 S**
Jagdeo (45) **Date of Patent:** **** Dec. 29, 2020**

(54) **FOOD TRAY**

(71) Applicant: **Dhanraj Jagdeo**, Ave Maria, FL (US)

(72) Inventor: **Dhanraj Jagdeo**, Ave Maria, FL (US)

(**) Term: **15 Years**

(21) Appl. No.: **29/738,246**

(22) Filed: **Jun. 16, 2020**

Related U.S. Application Data

(63) Continuation-in-part of application No. 15/444,275, filed on Feb. 27, 2017, now abandoned.

(51) **LOC (12) Cl.** **07-01**

(52) **U.S. Cl.**
USPC **D7/552.1**

(58) **Field of Classification Search**
USPC D7/500, 543, 550.1, 552.1, 552.2, 554.3, D7/554.4, 601-602; D3/201, 304, 307, D3/308, 309, 315
CPC A47G 23/06; A47G 23/0641; A47G 23/08; A47G 23/0208; A47G 23/0633; A47G 23/0683; B25H 3/06; A47B 23/00
See application file for complete search history.

(56) **References Cited**

U.S. PATENT DOCUMENTS

2,047,835 A * 7/1936 Prew B21D 53/74 294/172
D146,687 S * 4/1947 Schmidt D7/548
D290,083 S * 6/1987 Dricken D7/354
D472,423 S * 4/2003 Swinford D7/359
6,823,773 B2 * 11/2004 Swinford A47J 37/0694 99/426

D520,239 S * 5/2006 Rand D3/304
D526,851 S * 8/2006 Groff D7/552.1
D547,982 S * 8/2007 Yang D3/307
D590,655 S * 4/2009 Freeman D7/354
D680,371 S * 4/2013 Saboe D7/403
D796,251 S * 9/2017 Dodane D7/360
D866,243 S * 11/2019 Cloutier D7/360
2005/0076795 A1 * 4/2005 Riddle A47J 36/2477 99/483
2016/0157676 A1 * 6/2016 Difante A47J 36/2405 126/33

* cited by examiner

Primary Examiner — Kelley A Donnelly

(57) **CLAIM**

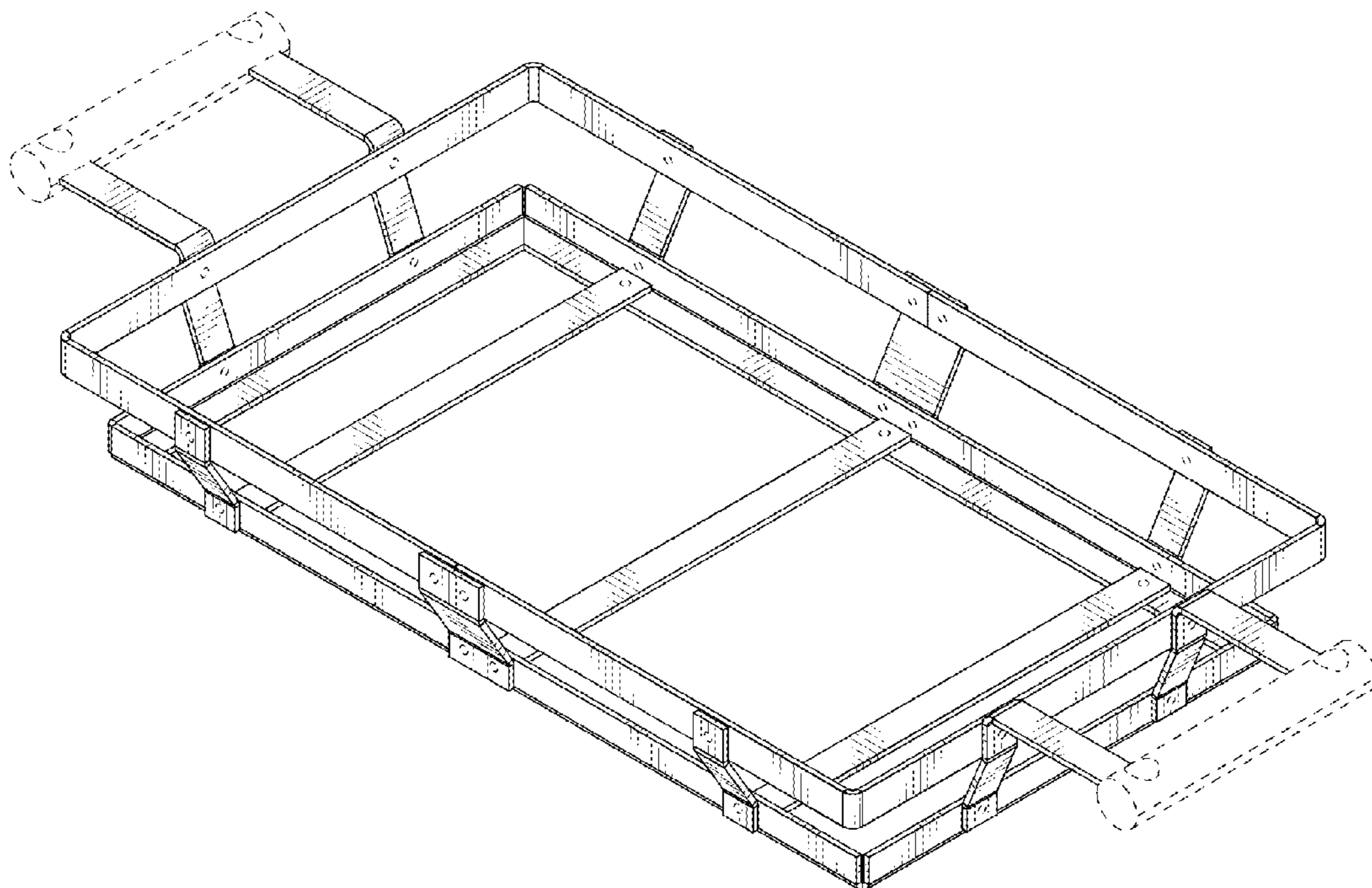
The ornamental design for a food tray, as shown and described.

DESCRIPTION

FIG. 1 is a top-front-left perspective view of a food tray showing our new design;
FIG. 2 is a bottom-rear-right perspective view thereof;
FIG. 3 is a front elevational view of the present invention, the rear elevational view being a mirror image thereof;
FIG. 4 is a left-side elevational view of the present invention, the right-side elevational view being a mirror image thereof;
FIG. 5 is a top plan view thereof; and,
FIG. 6 is a bottom plan view thereof.

The broken line showing a plurality of fastener holes in FIG. 1 through 6; and a plurality of indented handle hafts in FIG. 1 through 6 is included for the purpose of showing environmental structure and forms no part of the claimed design.

1 Claim, 6 Drawing Sheets



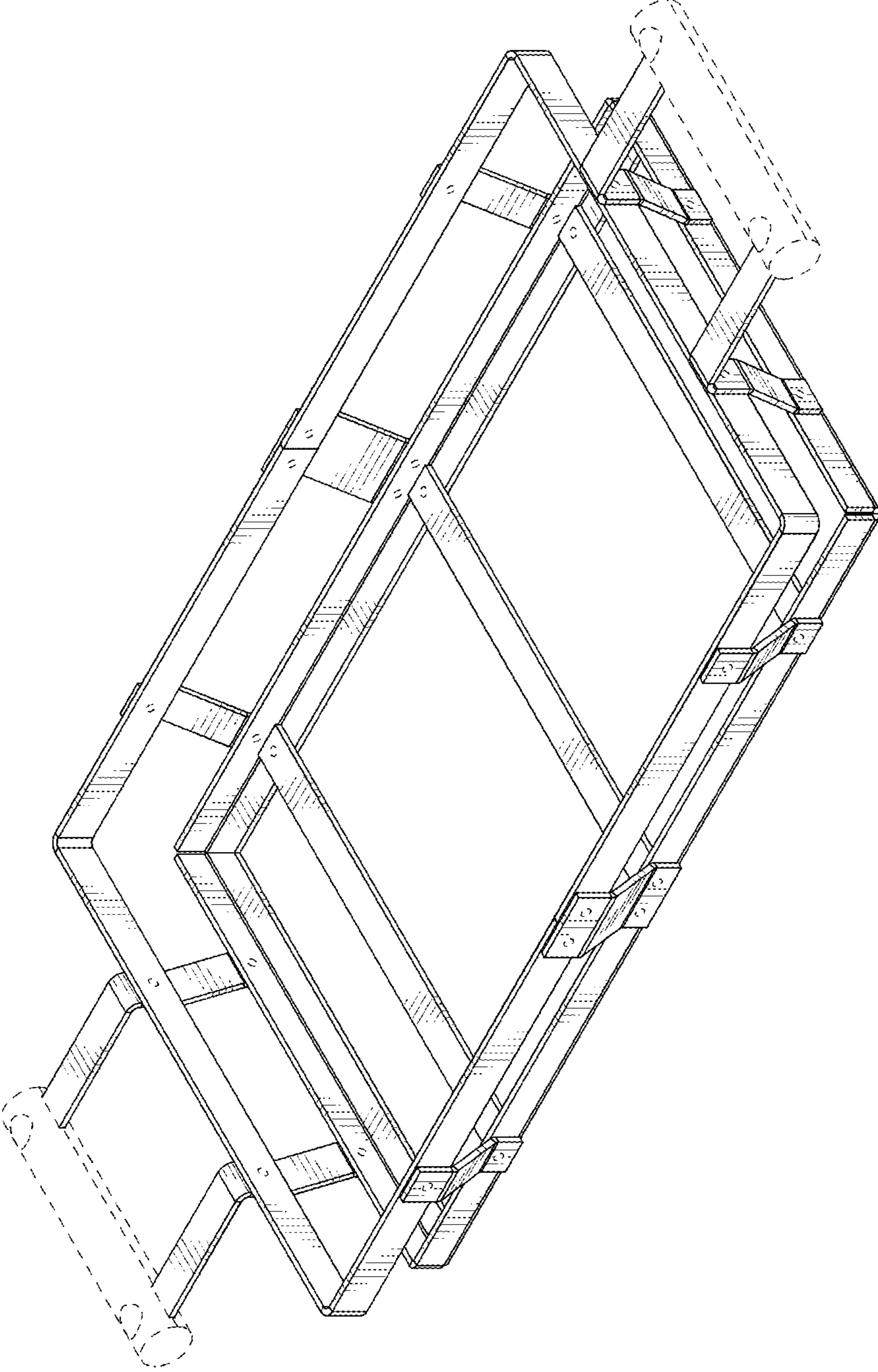


FIG. 1

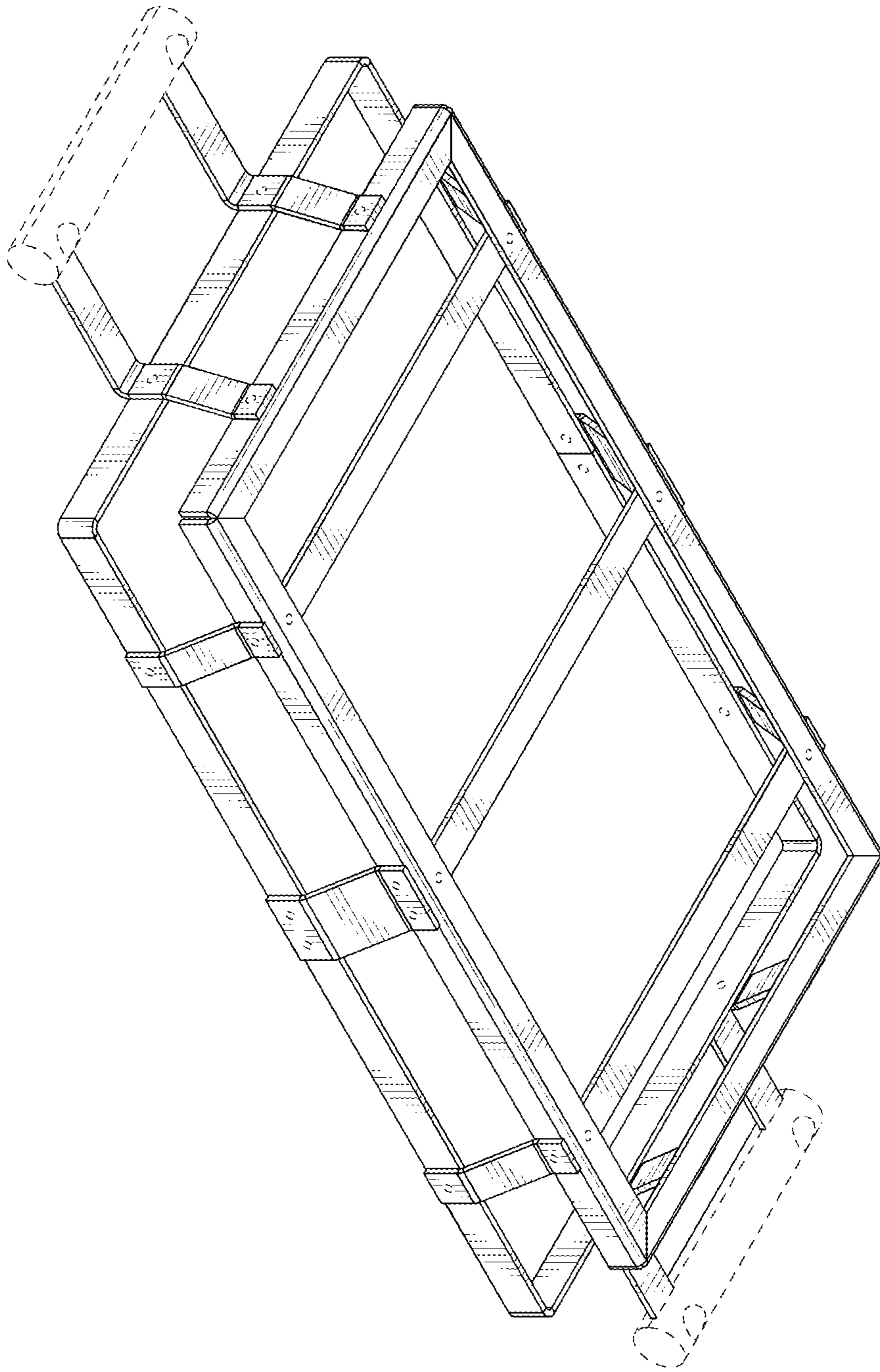


FIG. 2

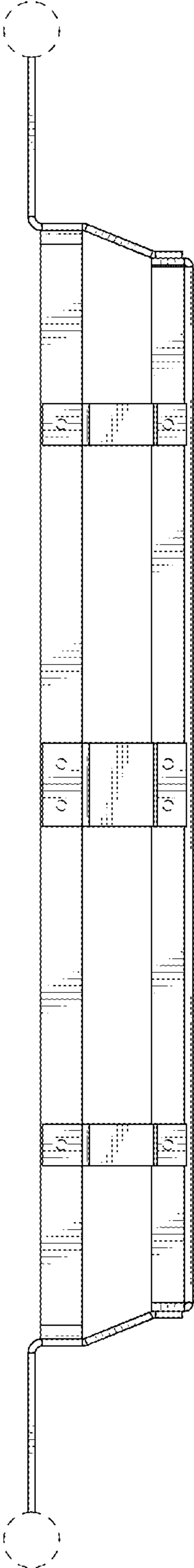


FIG. 3

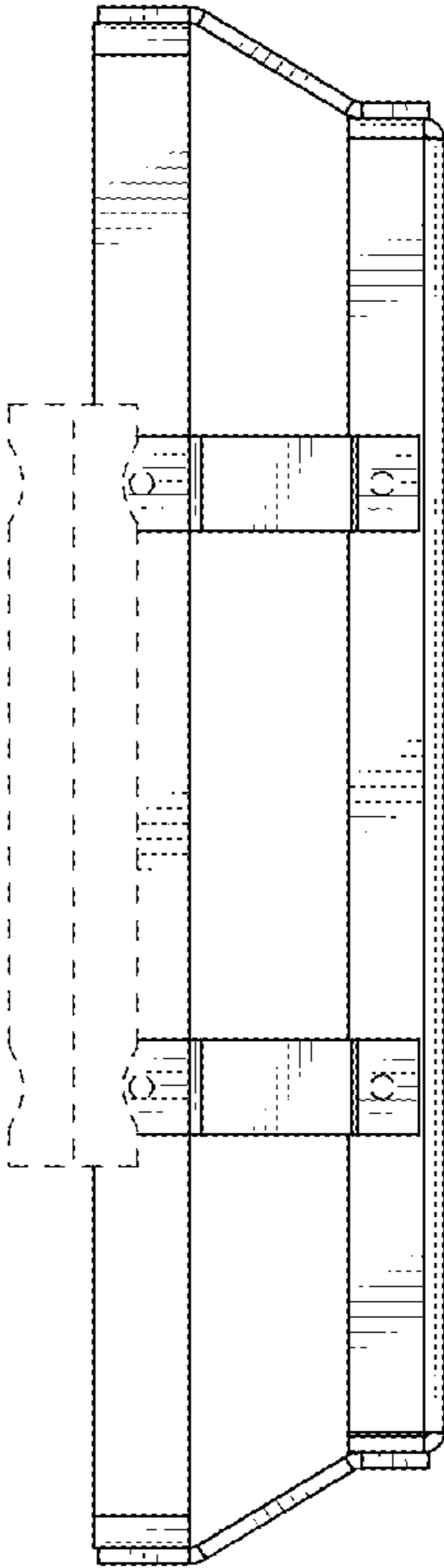


FIG. 4

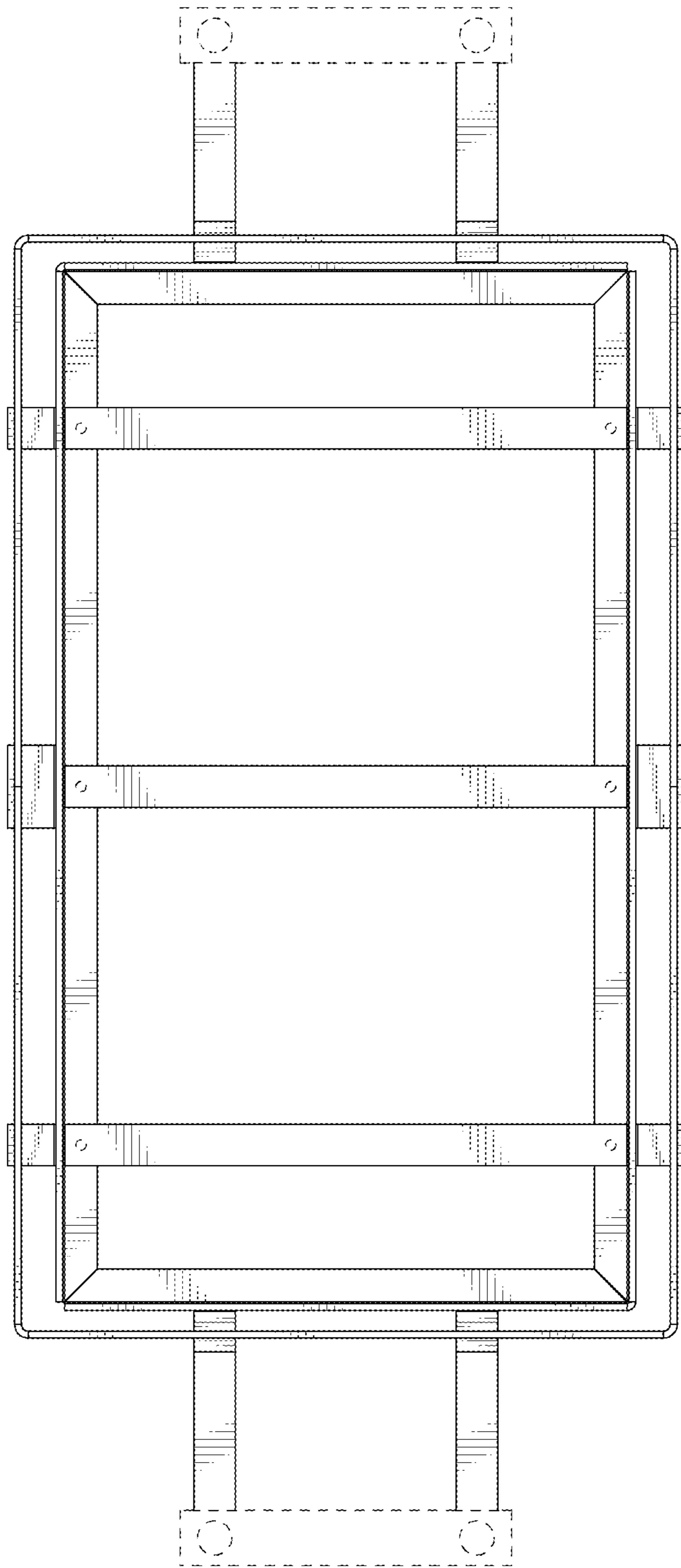


FIG. 5

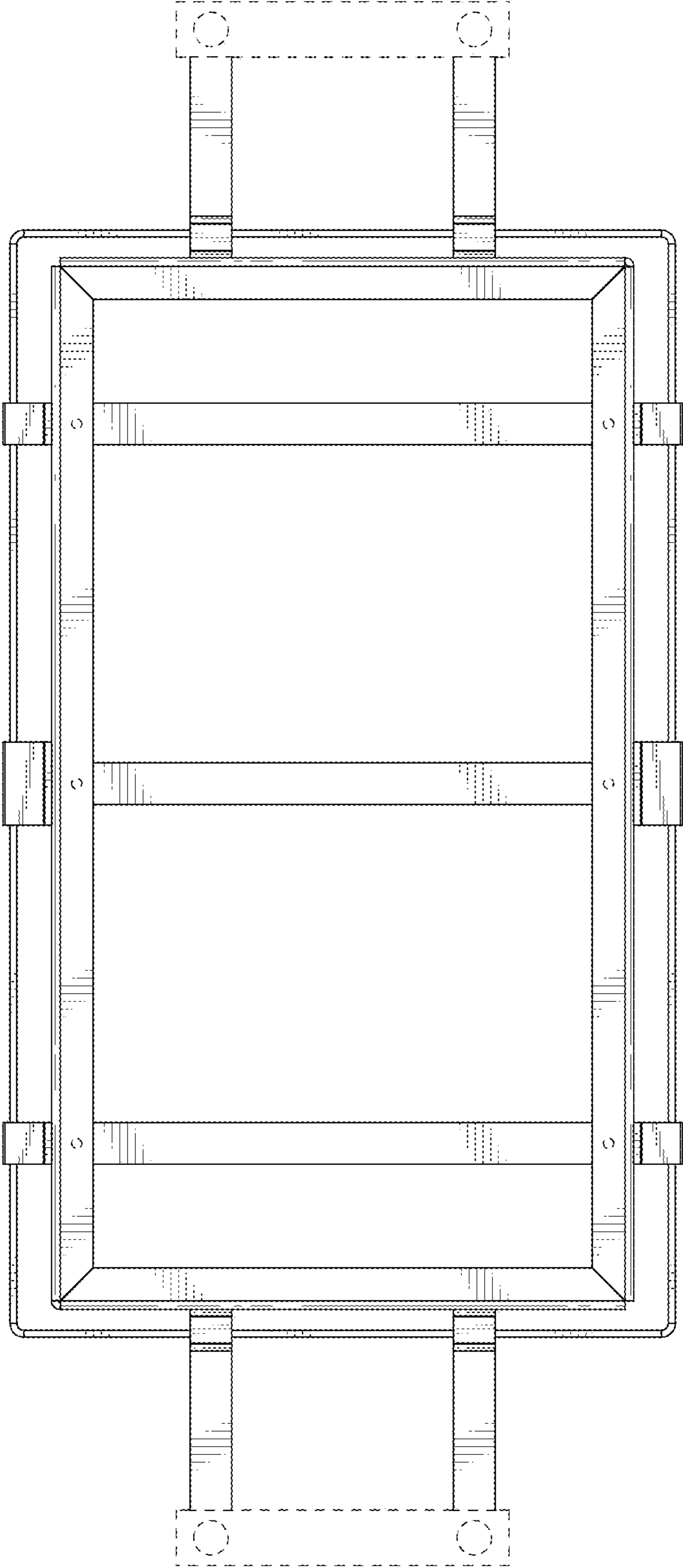


FIG. 6