



US00D906054S

(12) **United States Design Patent** (10) **Patent No.:** **US D906,054 S**
Fitchko et al. (45) **Date of Patent:** **** Dec. 29, 2020**

(54) **SPICE CUP**

(71) Applicant: **B&G Foods North America, Inc.**, Parsippany, NJ (US)
(72) Inventors: **Aaron F. Fitchko**, Huxley, IA (US); **Erica Hammack**, Deerfield, IL (US); **Robert G. Larkin**, Johnston, IA (US); **William H. Dickson**, Covington, KY (US); **Jillian C. Hartke**, Cincinnati, OH (US); **Michael J. Palmisano**, Cincinnati, OH (US); **Steven D. Richardson**, Cincinnati, OH (US); **Allan E. Wade**, Ankeny, IA (US)
(73) Assignee: **B&G FOODS NORTH AMERICA, INC.**, Parsippany, NJ (US)

(**) Term: **15 Years**
(21) Appl. No.: **29/649,619**
(22) Filed: **May 31, 2018**

Related U.S. Application Data

(62) Division of application No. 29/549,526, filed on Dec. 22, 2015, now Pat. No. Des. 824,729.
(51) **LOC (12) Cl.** **07-01**
(52) **U.S. Cl.**
USPC **D7/529; D7/589; D7/532; D7/316**
(58) **Field of Classification Search**
USPC D7/507, 509, 510, 511, 523, 529, 530, D7/532, 392.1, 396.2, 608, 599, 598, 397, D7/589, 316; D9/444, 567, 552, 554, D9/555, 565, 568, 571; 220/592.16, 220/592.17, 200
CPC A47G 19/22; A47G 19/2205; A45F 3/16; Y10S 220/903
See application file for complete search history.

(56) **References Cited**

U.S. PATENT DOCUMENTS

D151,431 S *	10/1948	Cooper	D7/316
D215,749 S *	10/1969	Alder	D7/317
D328,492 S *	8/1992	Mathis	D10/46.2
D514,458 S *	2/2006	Lawson	D10/46.2
D556,513 S *	12/2007	Yelland	D7/516
D560,970 S *	2/2008	Yelland	D7/532
D615,356 S *	5/2010	Hillebrenner	D7/509
D620,755 S *	8/2010	Haskell	D7/510
D620,817 S *	8/2010	Eide	D10/46.2
D637,041 S *	5/2011	Haskell	D7/510
D649,396 S *	11/2011	Wilkens	D7/396.2
D649,397 S *	11/2011	Wilkens	D7/396.2
D661,947 S *	6/2012	Conti	D7/376
D676,755 S *	2/2013	Hein	D9/519
D761,059 S *	7/2016	Fitchko	D7/316

(Continued)

Primary Examiner — Jae Liang
(74) *Attorney, Agent, or Firm* — K&L Gates LLP

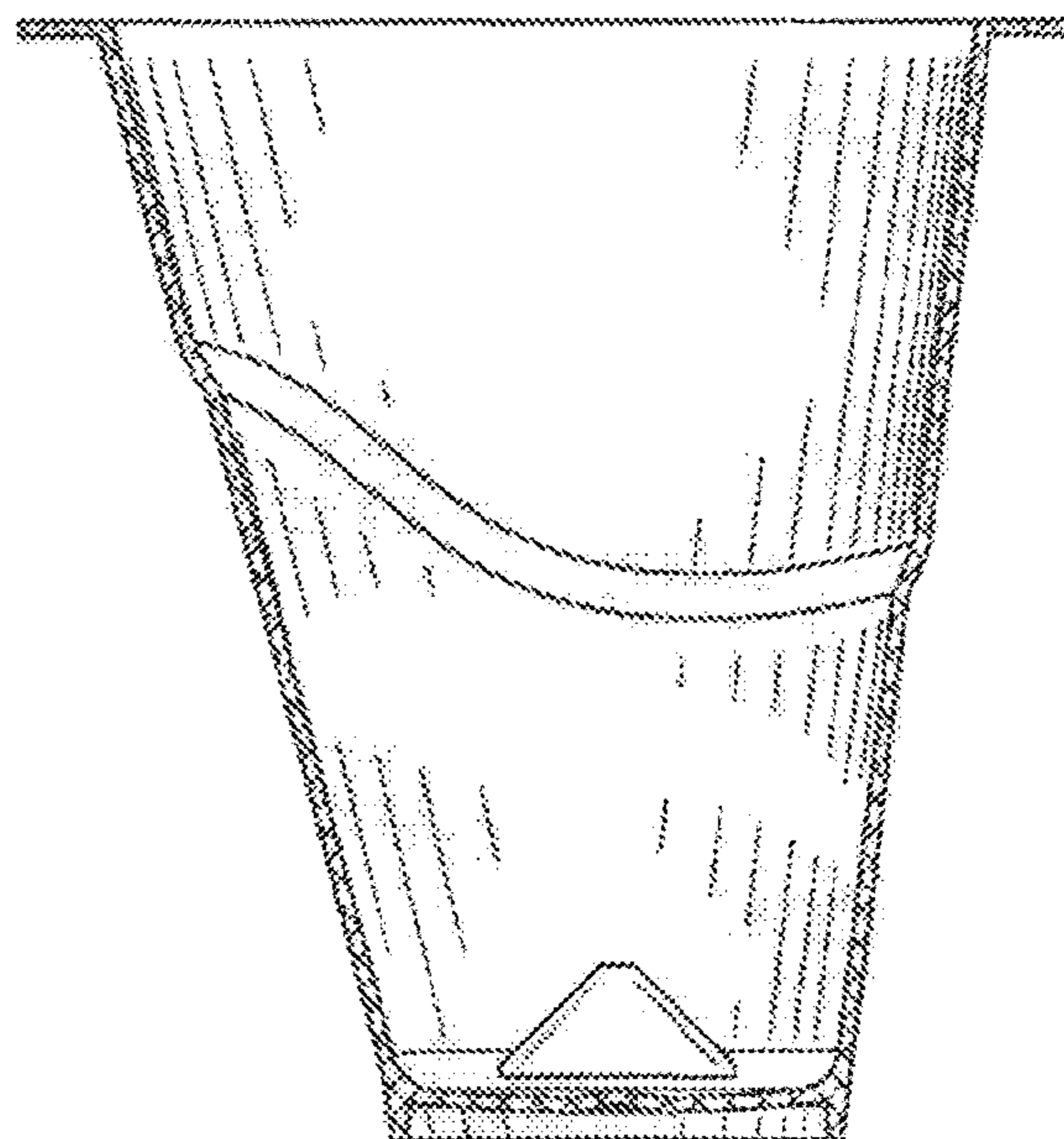
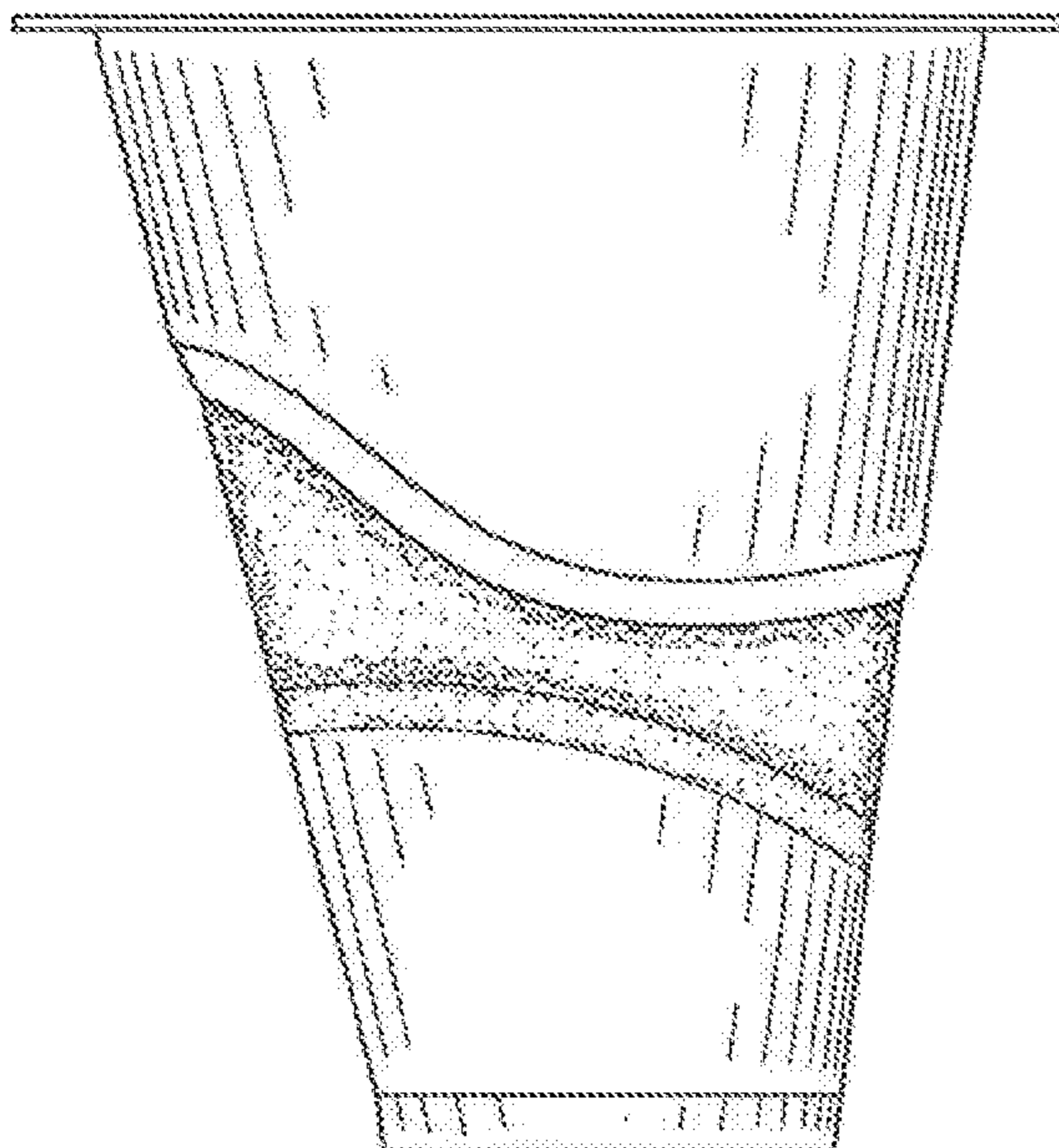
(57) **CLAIM**

The ornamental design for a spice cup, as shown and described.

DESCRIPTION

FIG. 1 is a perspective view of a spice cup, with a portion of the sidewall cut out for ease of illustration to show a denesting lug within the spice cup;
FIG. 2 is a perspective view of a spice cup;
FIG. 3 is a front elevational view thereof;
FIG. 4 is a rear elevational view thereof;
FIG. 5 is a first side elevational view thereof;
FIG. 6 is a second side elevational view thereof;
FIG. 7 is a top elevational view thereof;
FIG. 8 is a bottom elevational view thereof;
FIG. 9 is a cross-sectional view thereof showing a section taken along line 9-9 of FIG. 7; and,
FIG. 10 is another cross-sectional view thereof showing a section taken along line 10-10 of FIG. 7.

1 Claim, 4 Drawing Sheets



(56)

References Cited

U.S. PATENT DOCUMENTS

D763,620 S * 8/2016 Szymanski D7/392.1
D767,993 S * 10/2016 Joshi D9/538
D777,519 S * 1/2017 Levy D7/509
D785,275 S * 5/2017 Khanna D1/105

* cited by examiner

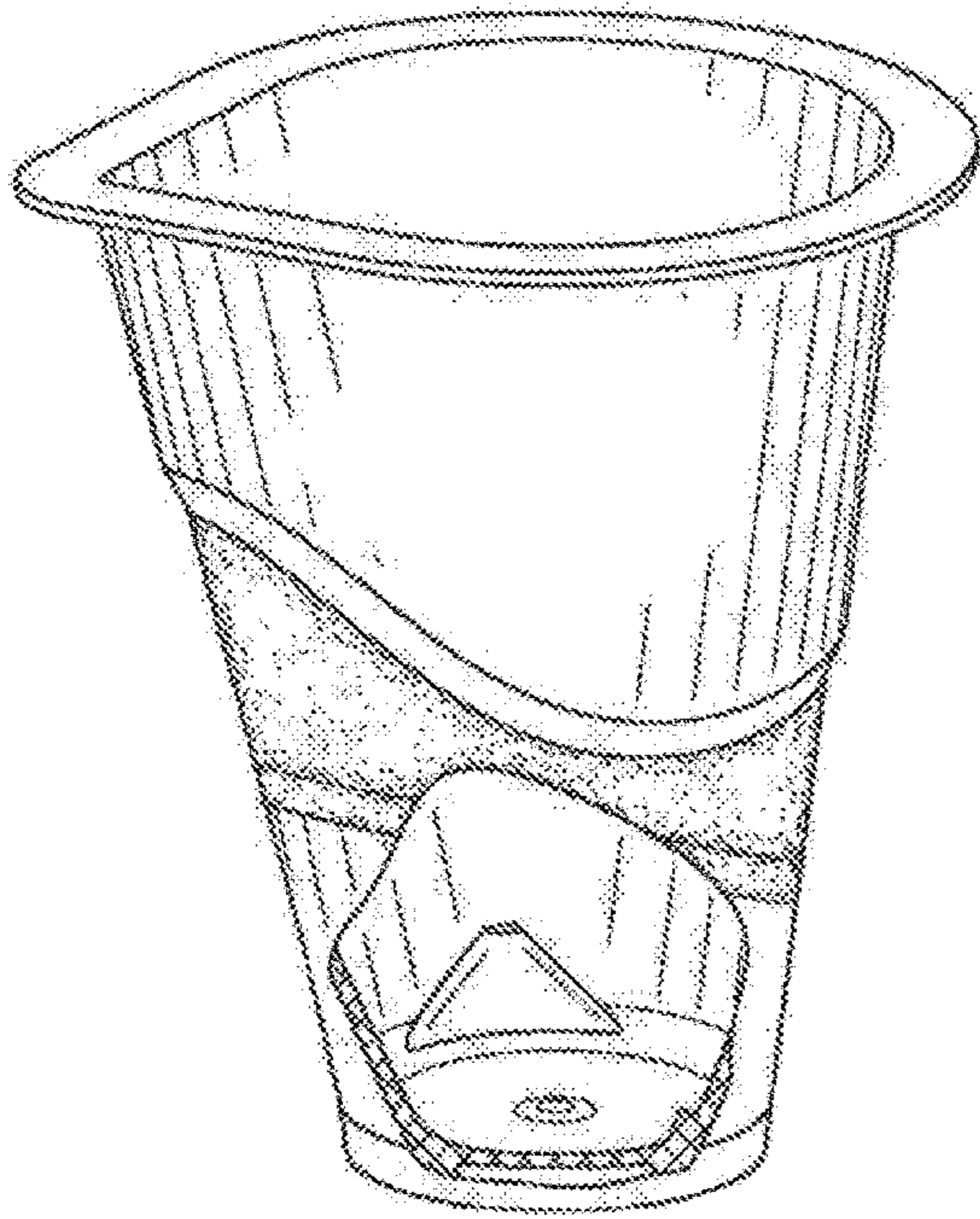


FIG. 1

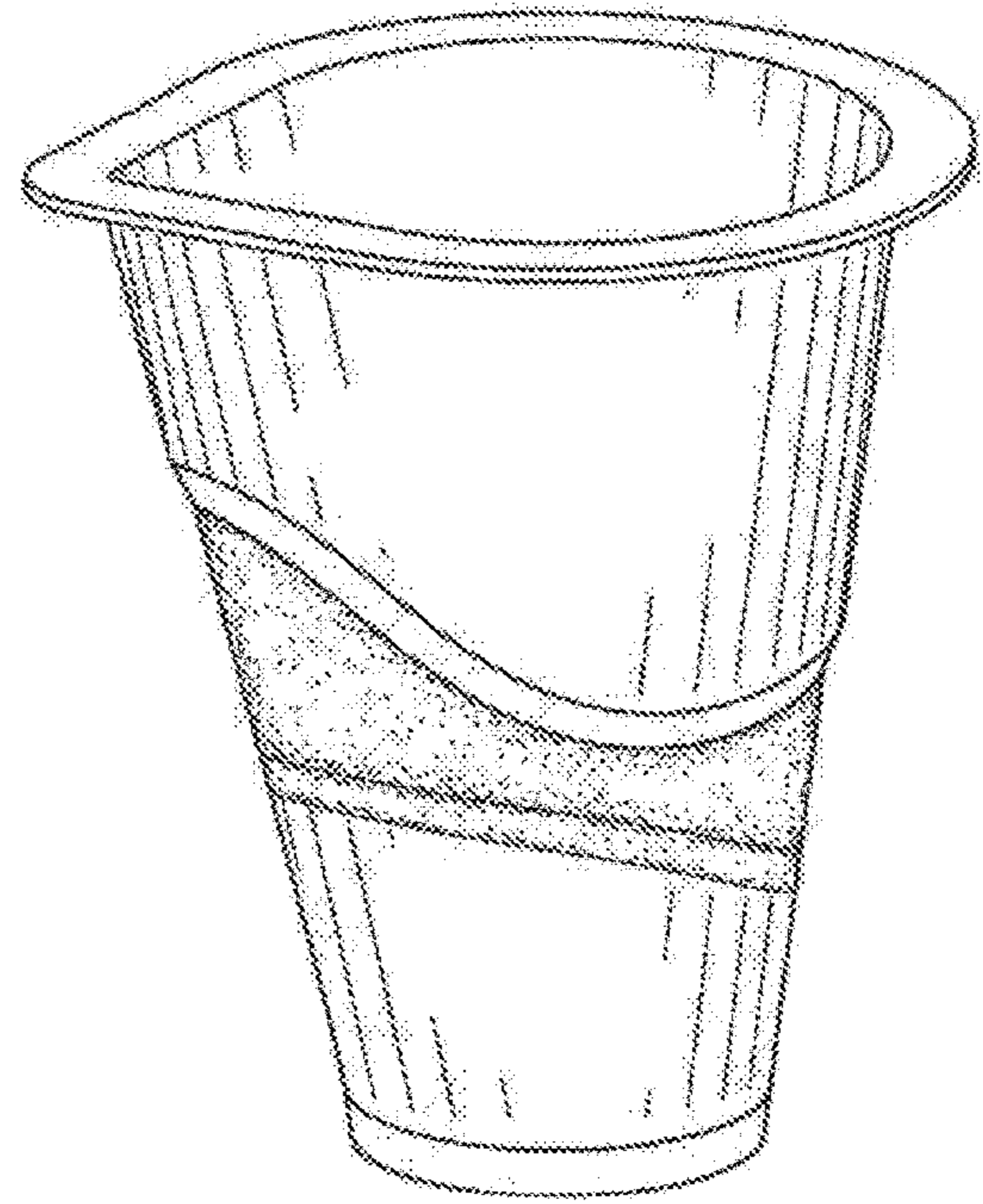


FIG. 2

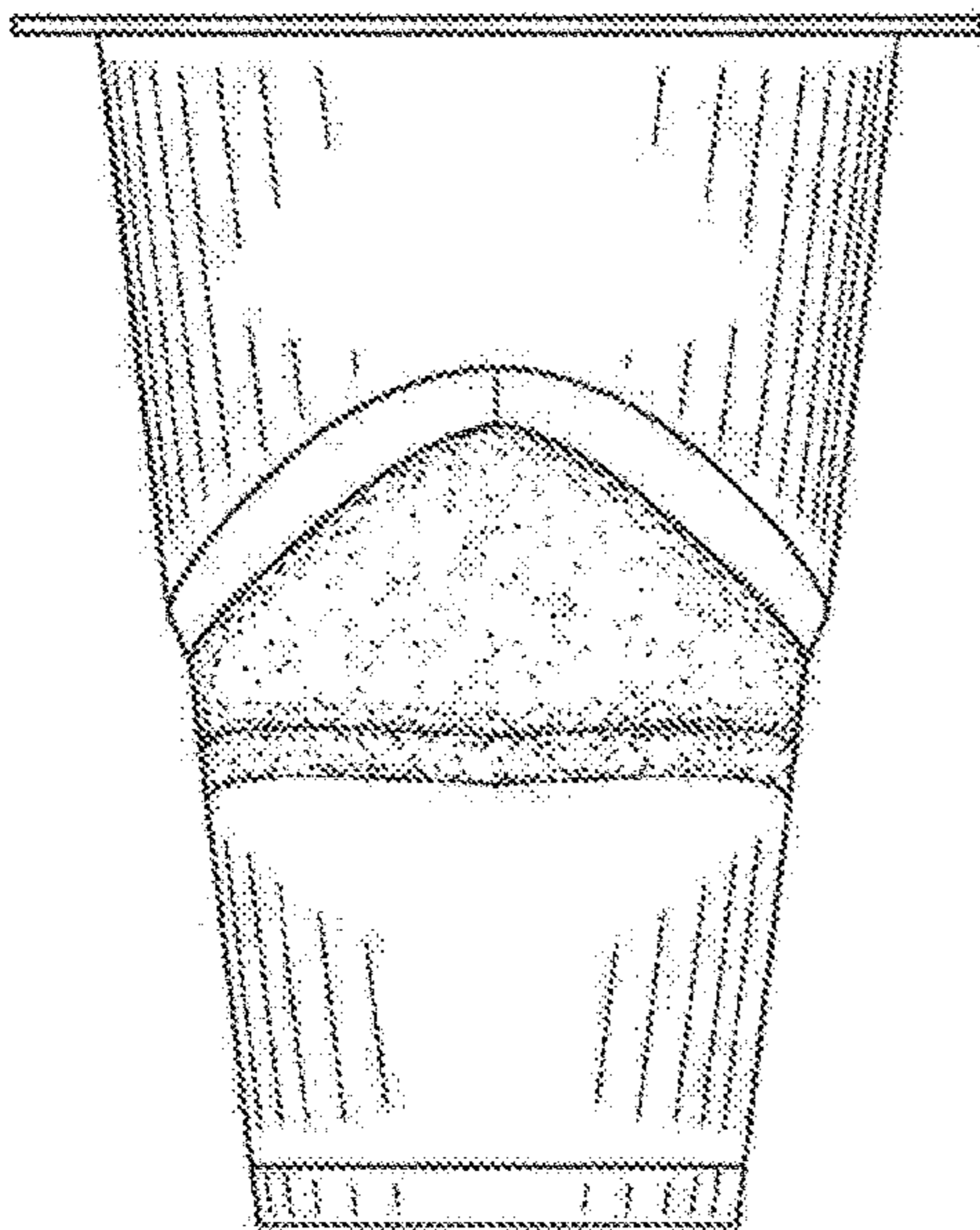


FIG. 3

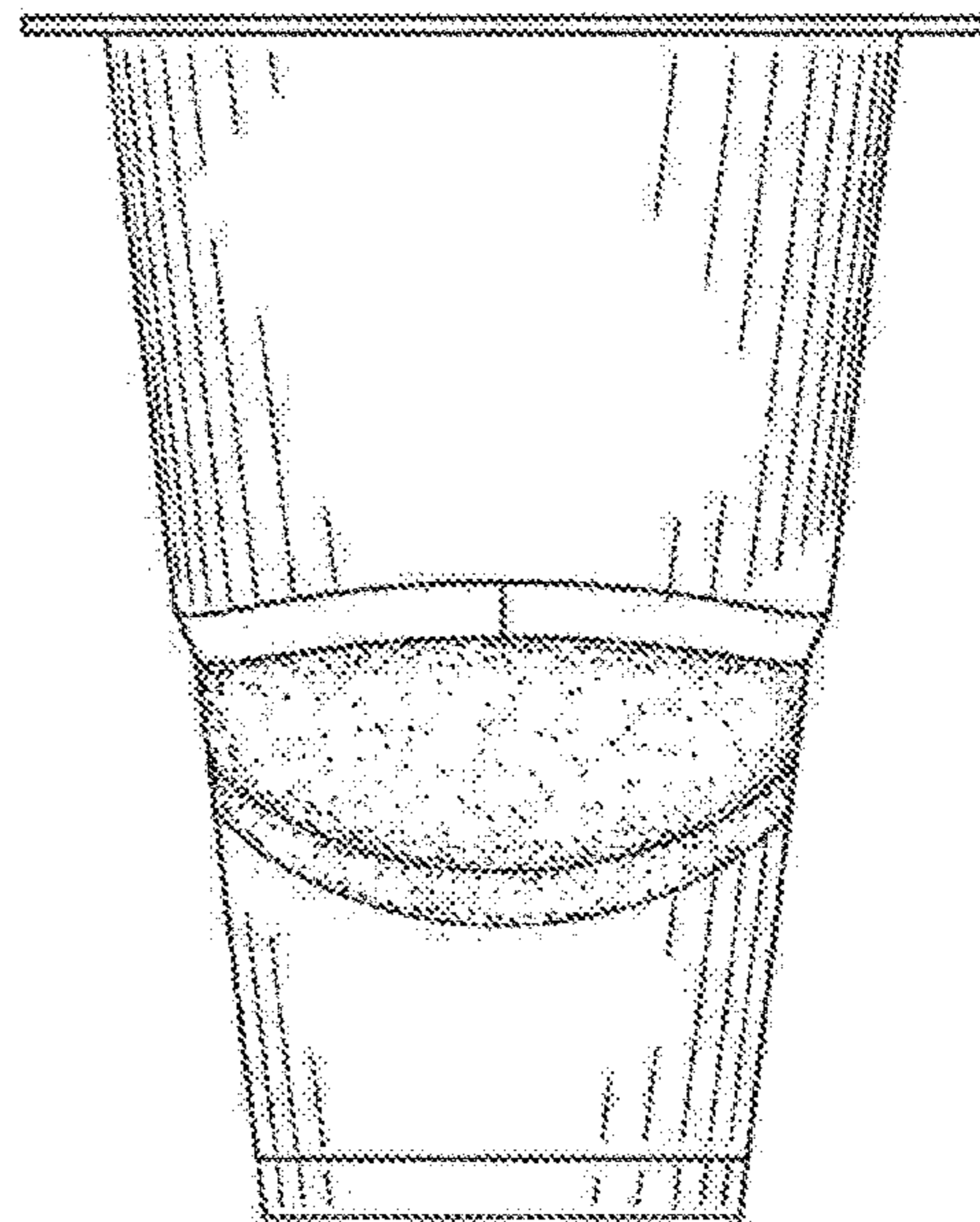


FIG. 4

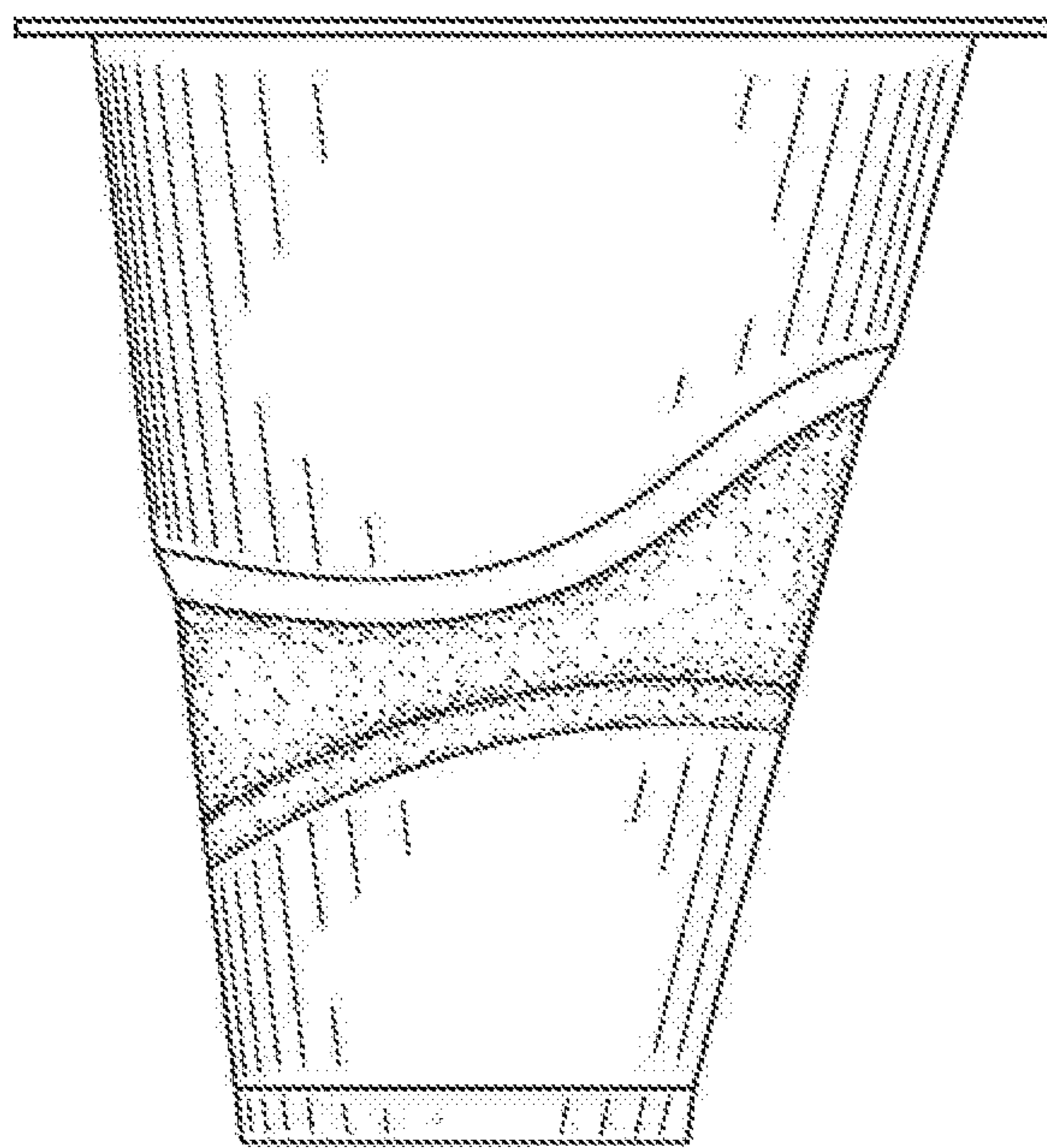


FIG. 5

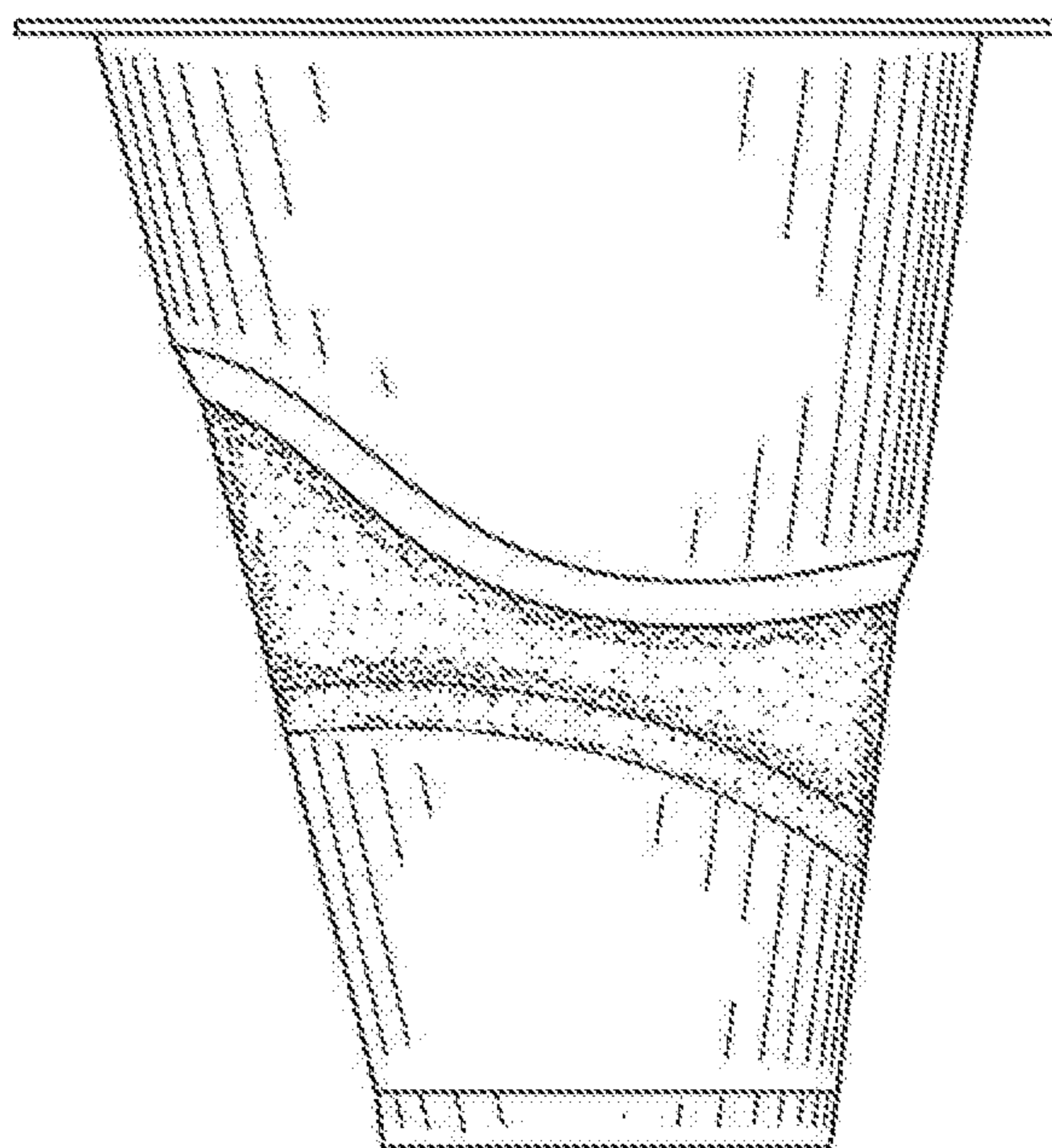


FIG. 6

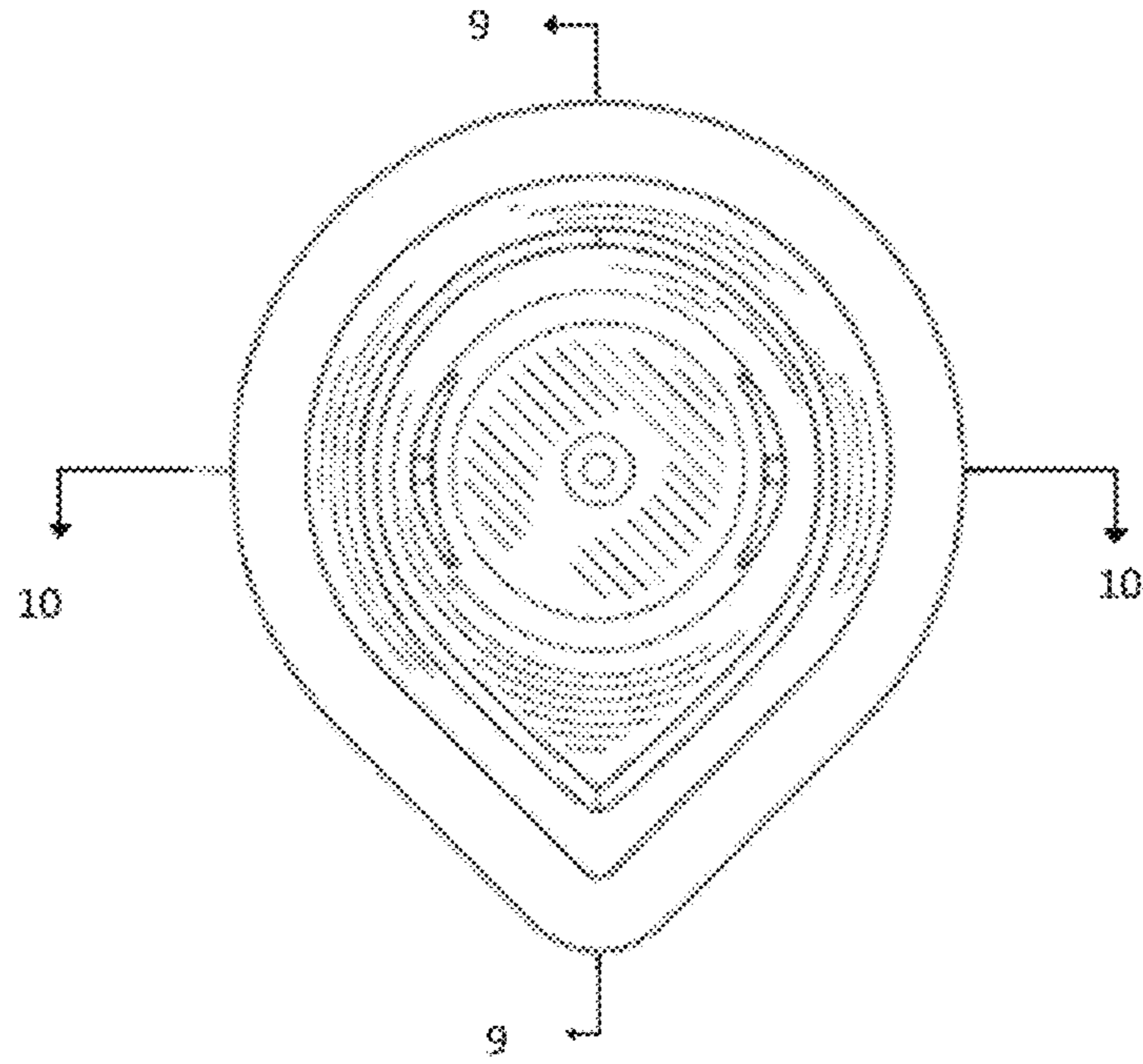


FIG. 7

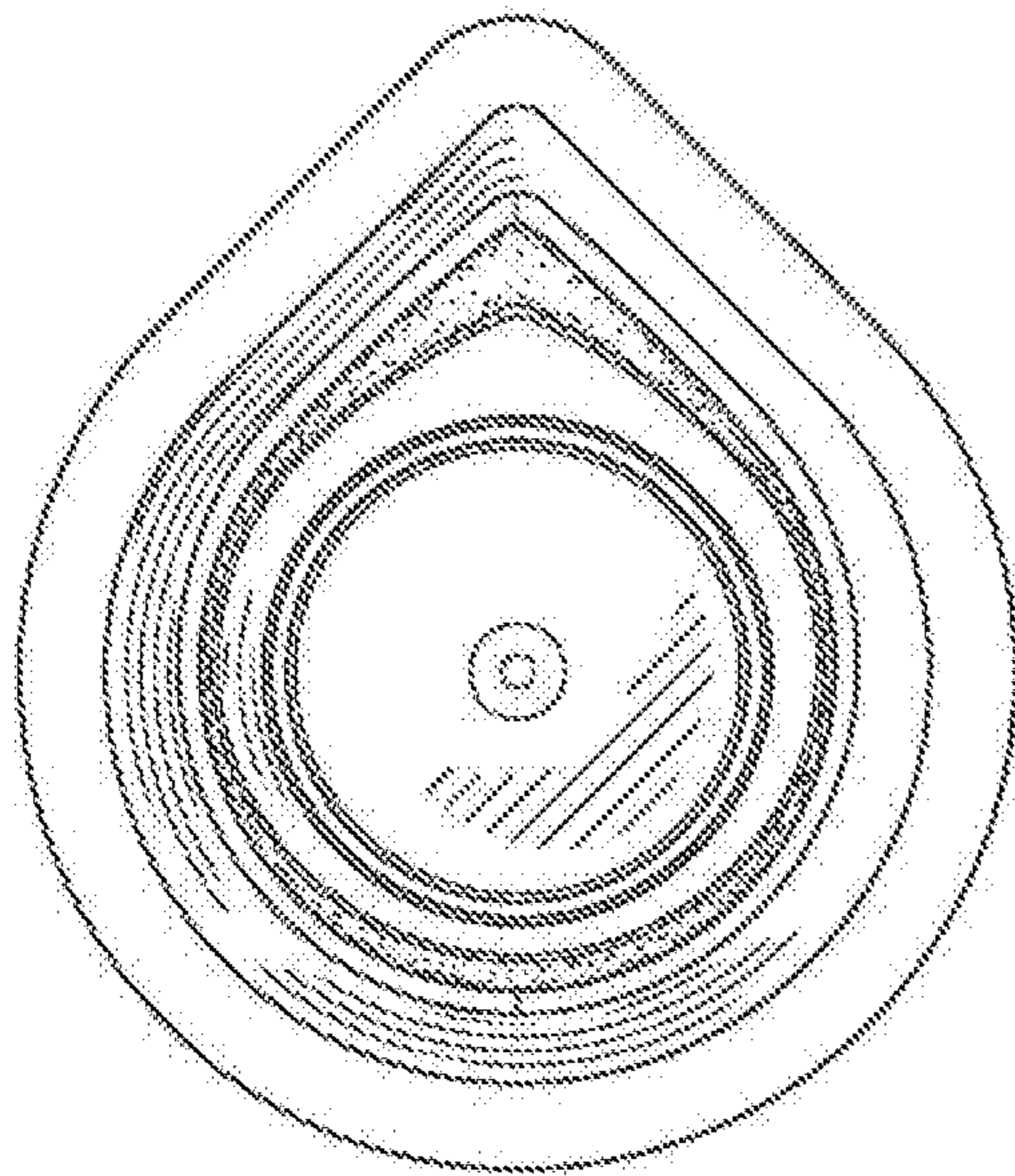


FIG. 8

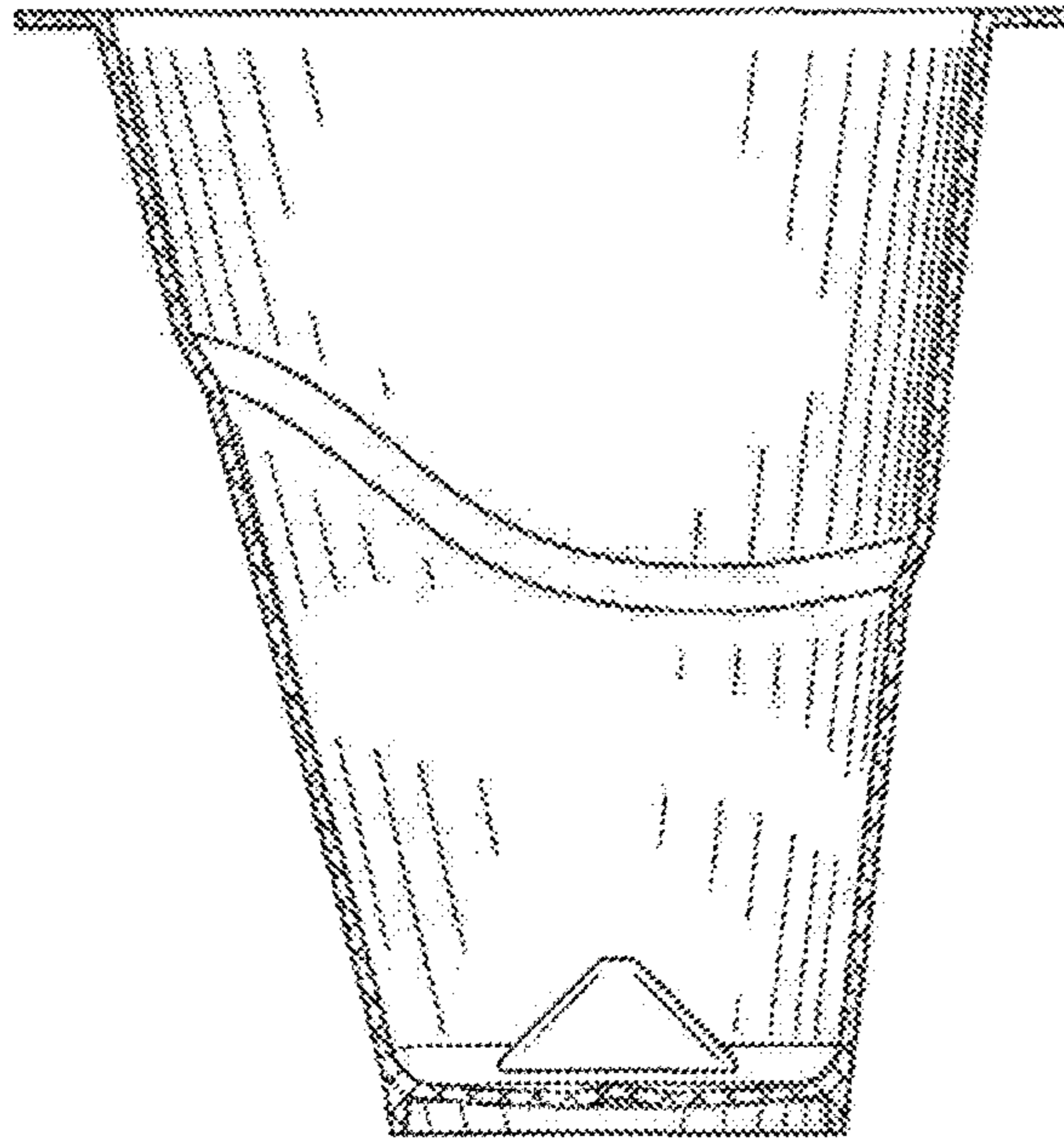


FIG. 9

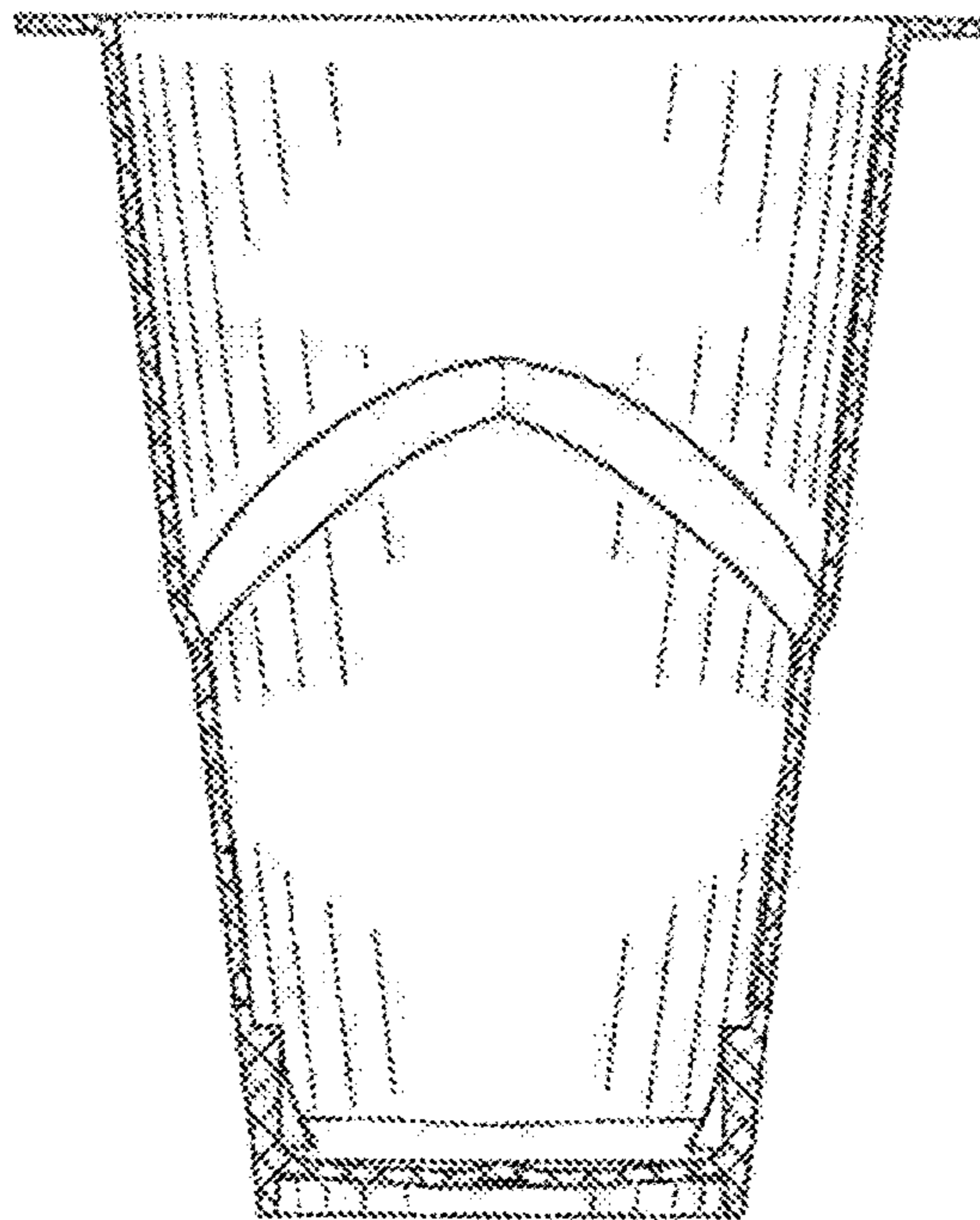


FIG. 10