



US00D906053S

(12) **United States Design Patent** (10) **Patent No.:** **US D906,053 S**
Trager et al. (45) **Date of Patent:** **** *Dec. 29, 2020**

- (54) **DRINK CONTAINER**
- (71) Applicant: **Fresh Twist, LP**, Los Angeles, CA (US)
- (72) Inventors: **Craig M. Trager**, Los Angeles, CA (US); **Chad Donella**, Studio City, CA (US); **Stuart Long**, Camarillo, CA (US)
- (73) Assignee: **Fresh Twist, LP**, Los Angeles, CA (US)

- D362,187 S * 9/1995 Thompson D9/500
- 5,482,170 A 1/1996 Semersky et al.
- 5,794,819 A 8/1998 Smith
- D424,444 S * 5/2000 Lefebvre D9/503
- 6,148,996 A 11/2000 Morini
- 6,450,351 B1 9/2002 Thompson
- D483,982 S * 12/2003 Irvine D7/300.1
- D499,342 S * 12/2004 Klitsner D7/300.1
- D536,986 S * 2/2007 Nix D9/551
- 7,331,478 B2 2/2008 Aljadi

(Continued)

- (*) Notice: This patent is subject to a terminal disclaimer.
- (**) Term: **15 Years**
- (21) Appl. No.: **29/683,112**
- (22) Filed: **Mar. 11, 2019**

FOREIGN PATENT DOCUMENTS

- WO 97/13690 A1 4/1997
- WO 2004/005155 A1 1/2004

Primary Examiner — Jae Liang
(74) Attorney, Agent, or Firm — Plumsea Law Group, LLC

Related U.S. Application Data

- (63) Continuation of application No. 14/927,154, filed on Oct. 29, 2015, now Pat. No. 10,226,153, which is a continuation-in-part of application No. 13/969,082, filed on Aug. 16, 2013, now abandoned.

- (51) **LOC (12) Cl.** **07-01**
- (52) **U.S. Cl.**
USPC **D7/511**; D7/300.1; D7/532

- (58) **Field of Classification Search**
USPC D7/517, 519, 510, 511, 523, 532, 300, D7/300.1, 313; D9/500, 501, 502, 503, D9/504, 516, 530, 539, 549, 562, 571, D9/574, 575
CPC A47G 19/22; A47G 19/2288; A47G 19/2205; A47J 43/27; A47J 41/0077; A47J 41/0088

See application file for complete search history.

(56) **References Cited**

U.S. PATENT DOCUMENTS

- 1,765,129 A * 6/1930 Cooke A47J 43/27 220/568
- 4,779,722 A 10/1988 Hall

(57) **CLAIM**

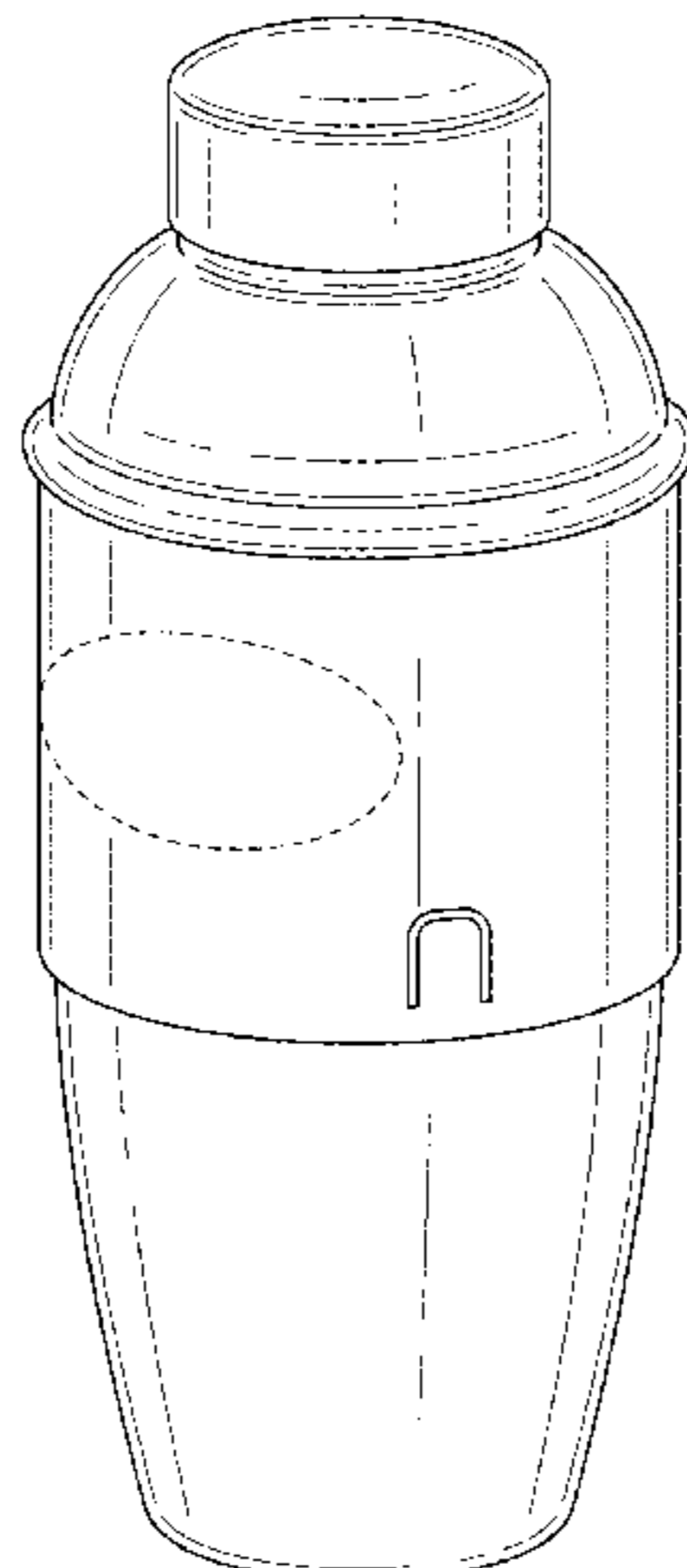
The ornamental design for a drink container, as shown and described.

DESCRIPTION

FIG. 1 is a perspective view of a drink container showing the new design;
 FIG. 2 is a front elevational view thereof;
 FIG. 3 is a rear elevational view thereof;
 FIG. 4 is a left side elevational view thereof;
 FIG. 5 is a right side elevational view thereof;
 FIG. 6 is a top plan view thereof; and,
 FIG. 7 is a bottom plan view thereof.

The broken lines shown illustrate portions of the drink container that form no part of the claimed design.
 The inventive aspects of the current embodiments exist in the drink container as a whole, in individual portions and/or elements thereof, and in combinations of portions and elements thereof.

1 Claim, 4 Drawing Sheets



(56)

References Cited

U.S. PATENT DOCUMENTS

D625,541 S * 10/2010 Kauer D7/300.1
D642,472 S * 8/2011 Concin D7/511
D648,488 S * 11/2011 Tsai D28/87
D657,251 S * 4/2012 Rinderer D7/511
D697,354 S * 1/2014 Kauer D7/300.1
8,646,966 B2 2/2014 Marino et al.
D761,607 S * 7/2016 Gamelli D7/300.1
D767,930 S * 10/2016 Gamelli D7/300.1
D850,189 S * 6/2019 Burton D7/392
2002/0179461 A1 12/2002 Mollstam et al.
2004/0066705 A1* 4/2004 Linz A47J 43/27
366/130
2006/0108363 A1 5/2006 Yates, III
2007/0029275 A1 2/2007 Hantman et al.
2007/0267416 A1 11/2007 Eichenbaum
2008/0078200 A1 4/2008 Roth et al.
2008/0314775 A1 12/2008 Owoc
2010/0140203 A1 6/2010 Kountotsis
2010/0206174 A1 8/2010 Loden
2010/0315897 A1 12/2010 Renna et al.
2011/0272302 A1 11/2011 Pagan
2012/0024812 A1 2/2012 Underwood
2015/0050405 A1 2/2015 Trager et al.

* cited by examiner

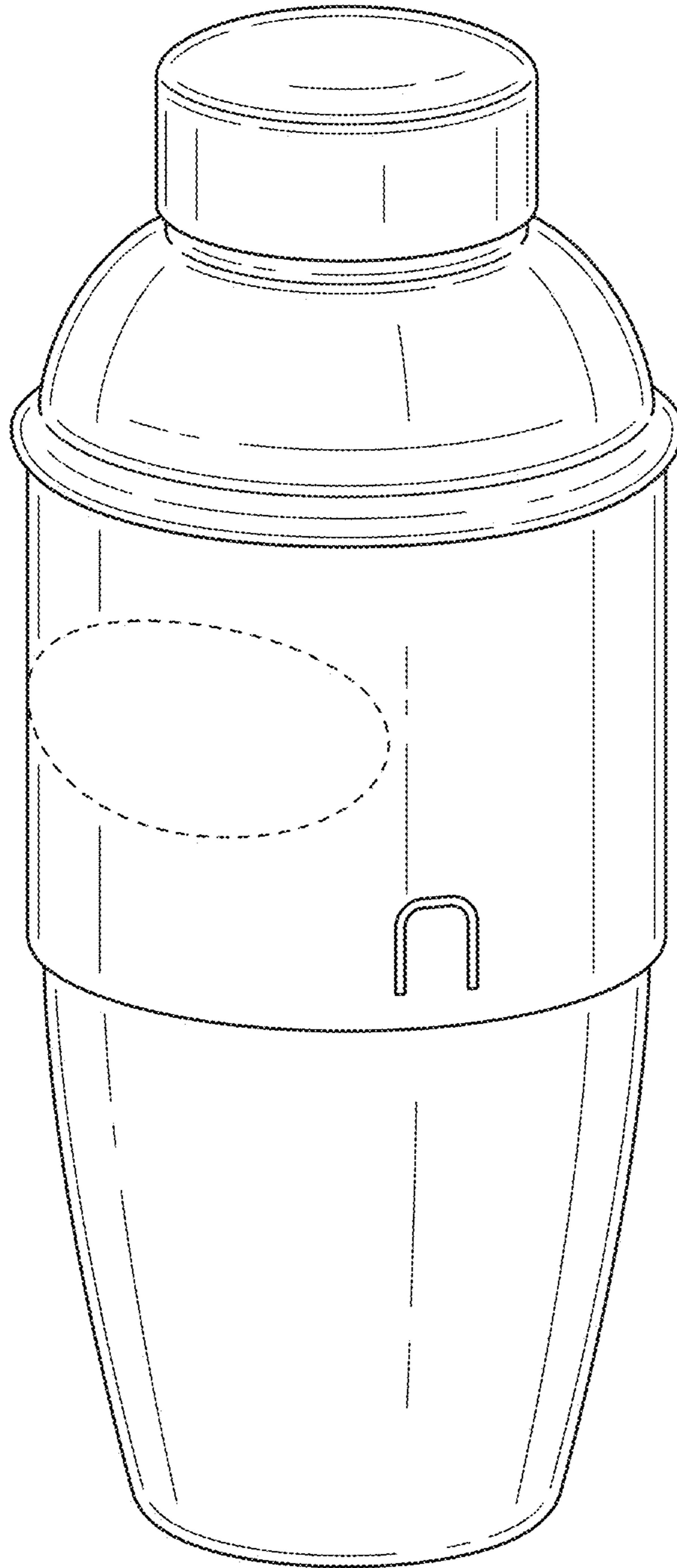


FIG. 1

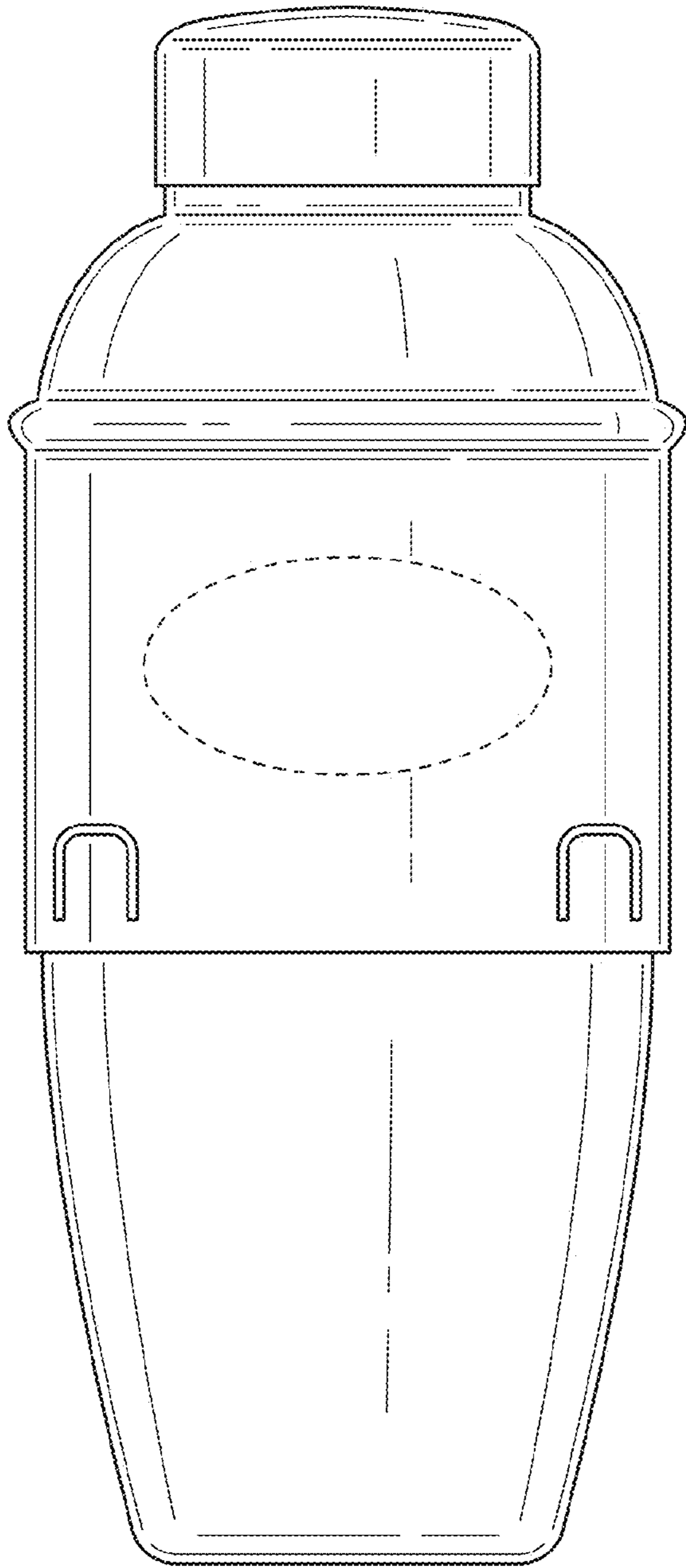


FIG. 2

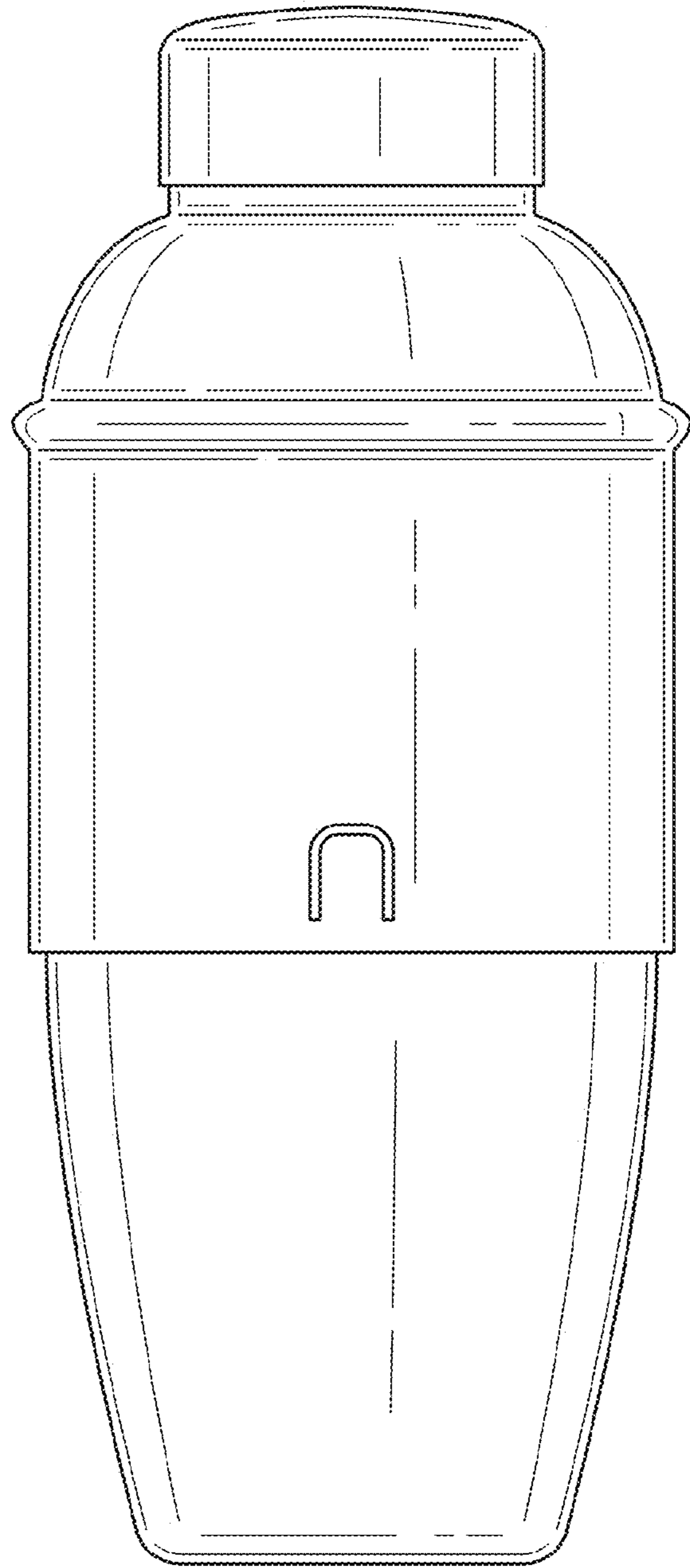


FIG. 3

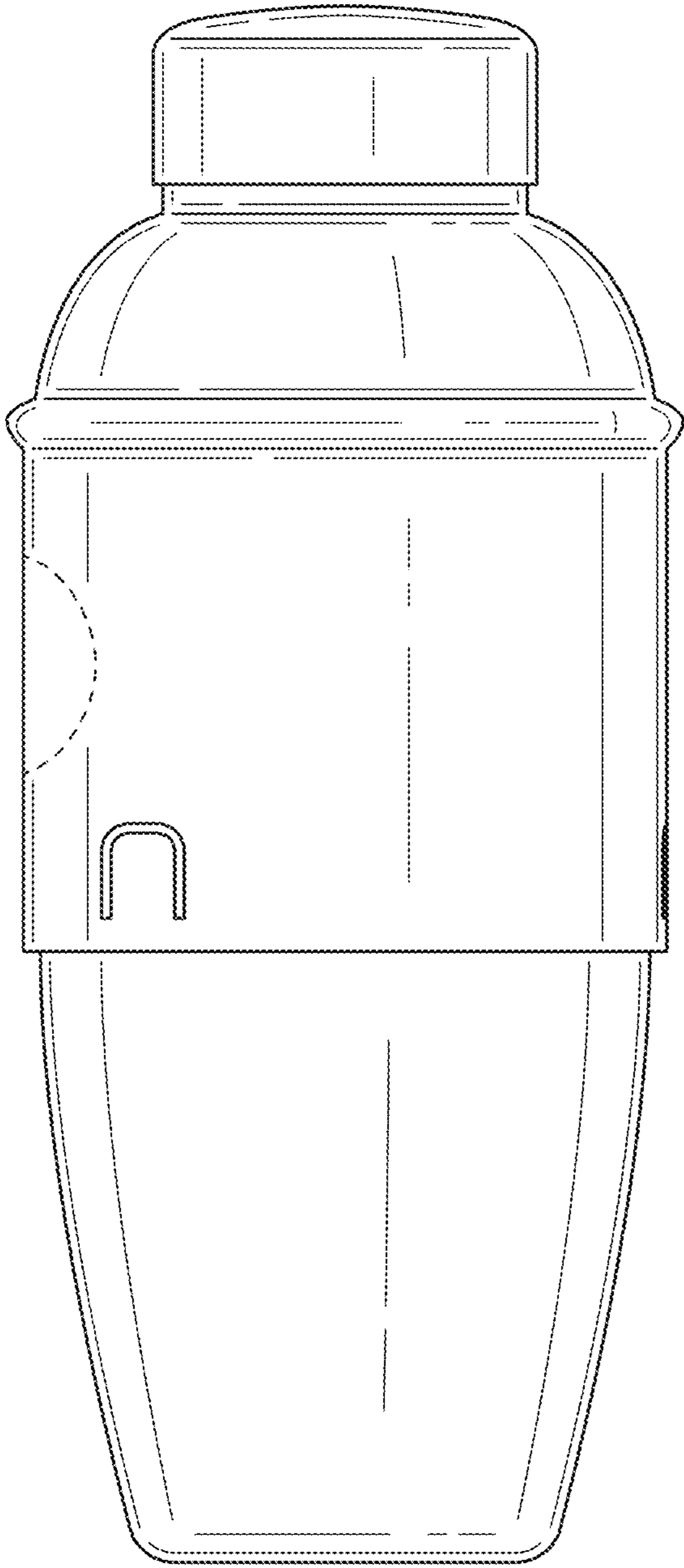


FIG. 4

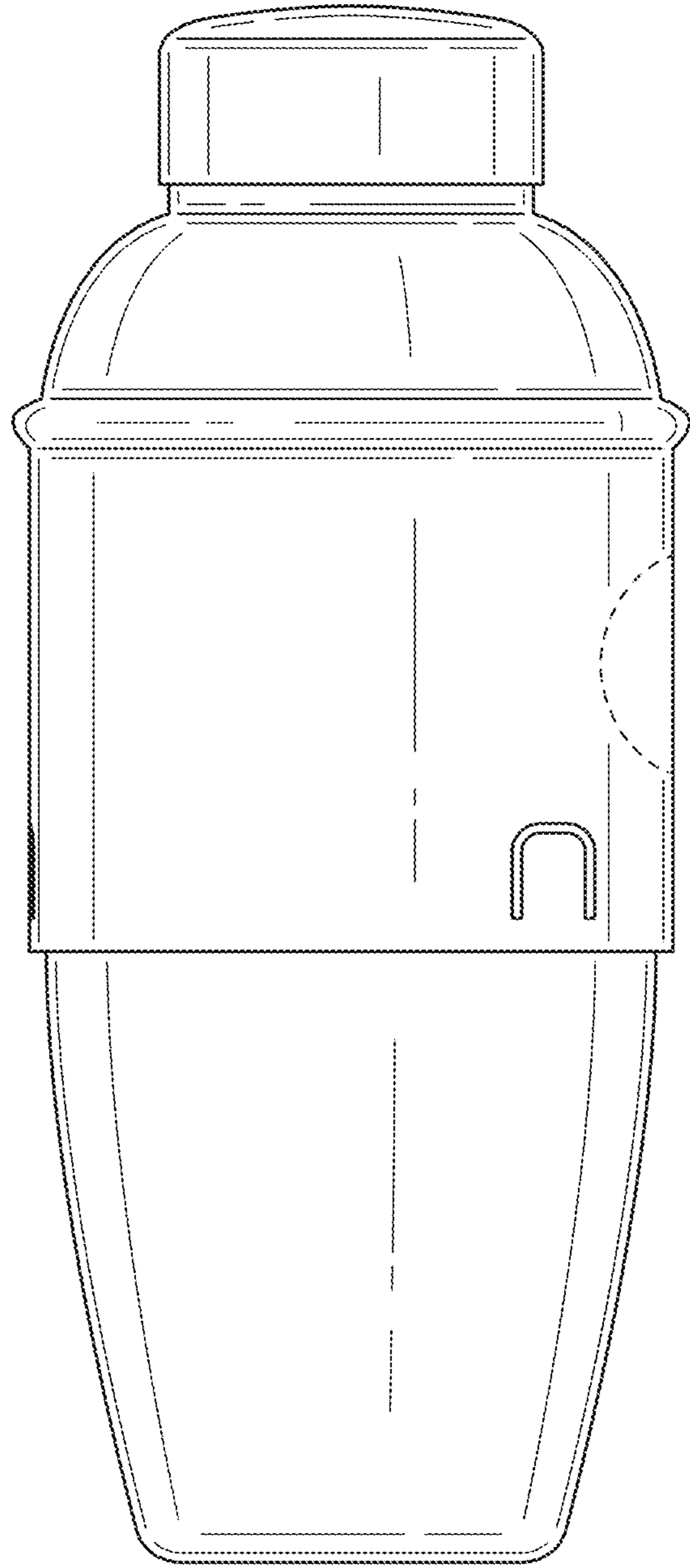


FIG. 5

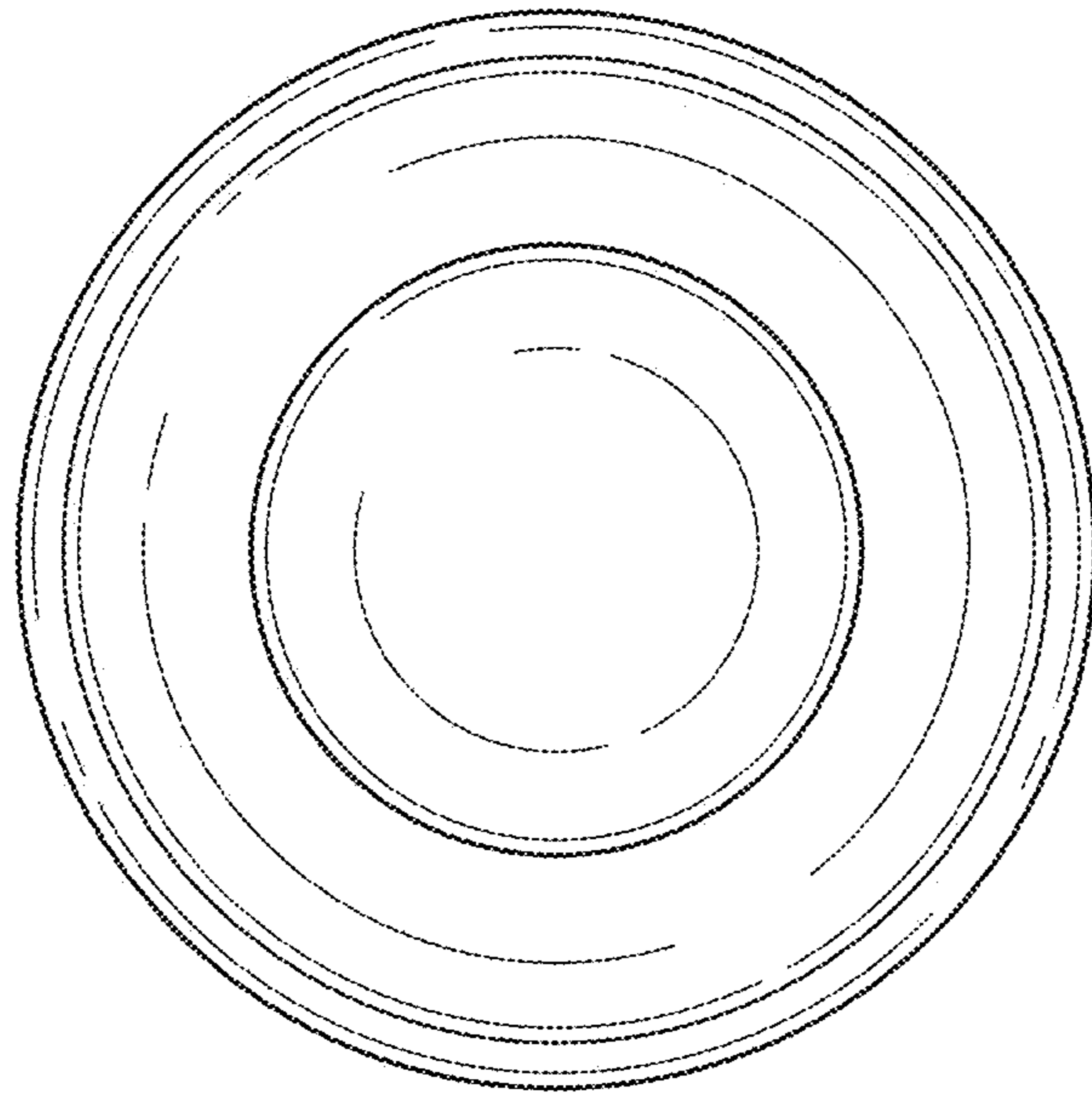


FIG. 6

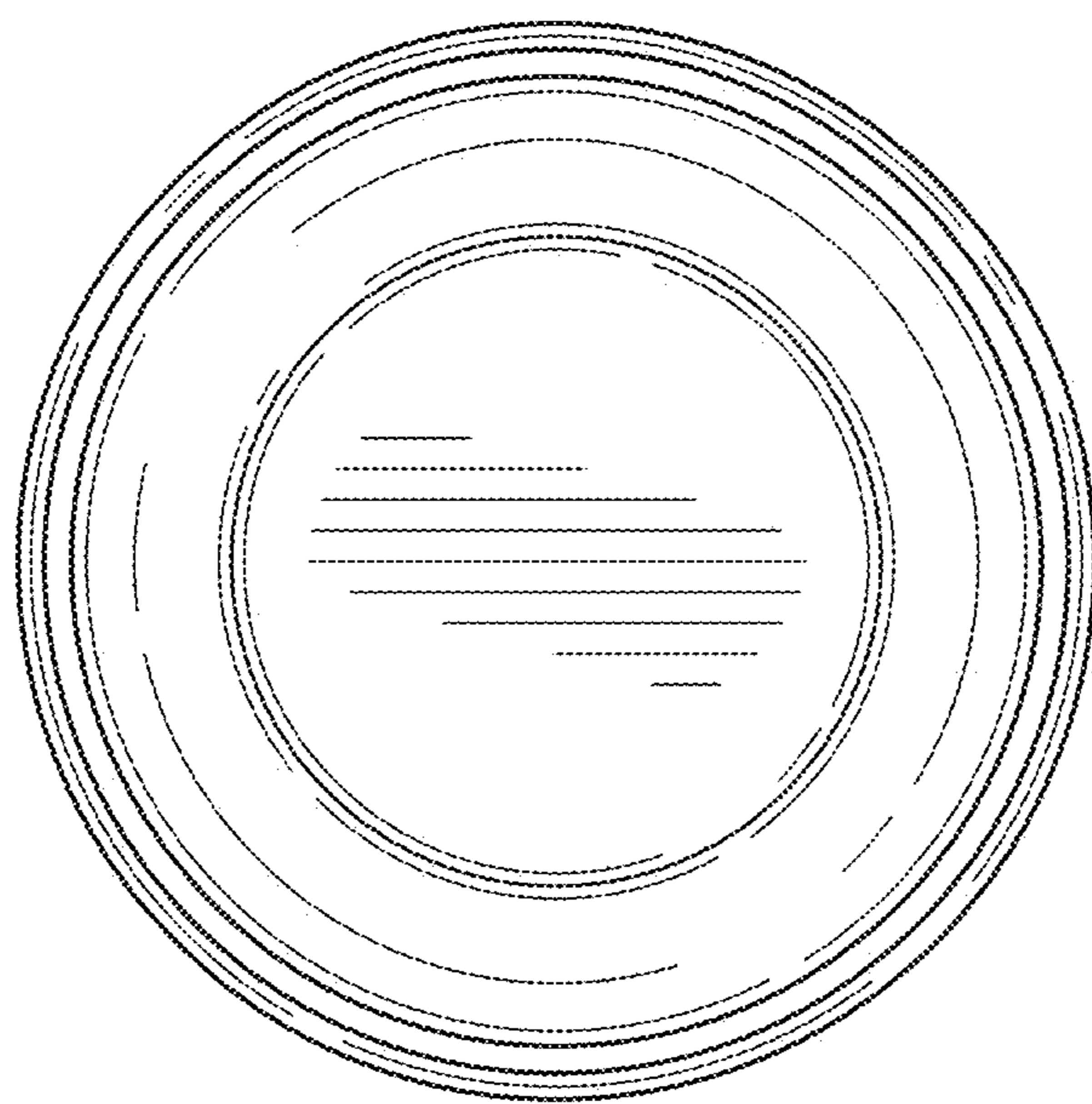


FIG. 7