



US00D906051S

(12) **United States Design Patent** (10) **Patent No.:** **US D906,051 S**  
**Xie** (45) **Date of Patent:** **\*\* Dec. 29, 2020**

(54) **PASTA MAKING MACHINE**  
(71) Applicant: **SHENZHEN YONGJING INDUSTRIAL CO., LTD.**, Shenzhen (CN)  
(72) Inventor: **Jianping Xie**, Zhuzhou (CN)  
(73) Assignee: **SHENZHEN YONGJING INDUSTRIAL CO., LTD.**, Shenzhen (CN)  
(\*\*) Term: **15 Years**  
(21) Appl. No.: **29/739,264**  
(22) Filed: **Jun. 24, 2020**  
(51) **LOC (12) Cl.** ..... **31-00**  
(52) **U.S. Cl.**  
USPC ..... **D7/412**  
(58) **Field of Classification Search**  
USPC ..... D7/337, 362, 363, 367-368, 372, D7/376-386, 388, 412, 665-666, 669, D7/678-679, 693-694; D14/496  
CPC ..... A01F 2015/07; A01F 2015/077; A01F 2015/0775; A23N 1/00; A23N 1/02; A47J 19/00; A47J 19/005; A47J 19/02; A47J 19/04; A47J 19/06; A47J 42/32; A47J 42/34; A47J 42/36; A47J 43/044; A47J 43/25; A47J 43/255; B01F 7/26; B01F 7/28; B01F 11/0082; B01F 13/04; B02C 13/00; B02C 13/02; B02C 13/10; B02C 18/06; B02C 18/26; B02C 18/30; B02C 18/302; B02C 18/304; B02C 18/305; B02C 25/00; B02C 2002/00; B02C 2013/00; B02C 2013/14; B02C 2013/145; B02C 2013/18; B02C 2013/1807; B02C 2013/1857; B02C 2013/1864; B30B 9/00; B30B 9/16; B30B 9/18; B30B 9/20; B30B 9/26; B30B 9/205; B30B 9/207  
See application file for complete search history.

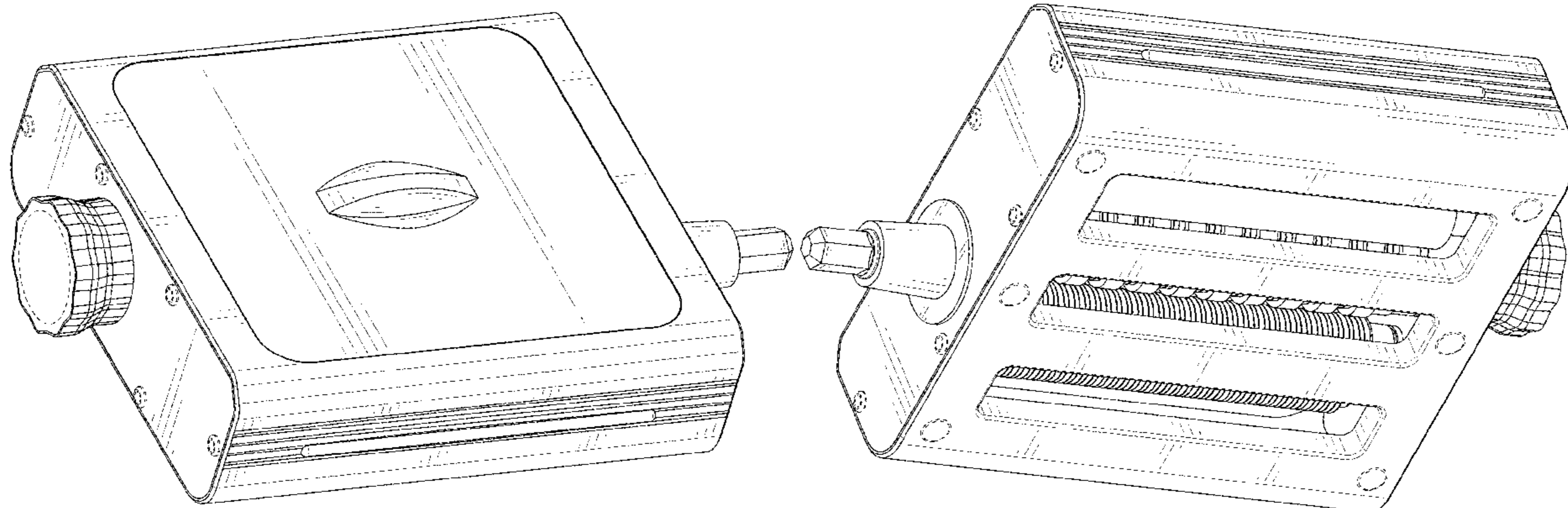
(56) **References Cited**  
U.S. PATENT DOCUMENTS  
D289,847 S \* 5/1987 Okamoto ..... D7/363  
D442,426 S \* 5/2001 Garber ..... D7/354  
D520,805 S \* 5/2006 Wright ..... D7/337  
D521,798 S \* 5/2006 Wright ..... D7/337  
D576,444 S \* 9/2008 Chung ..... D7/337  
D610,394 S \* 2/2010 Bodum ..... D7/362  
D692,921 S \* 11/2013 Akana ..... D14/496  
D697,752 S \* 1/2014 De' Longhi ..... D7/363  
D736,029 S \* 8/2015 Huber ..... D7/362  
D755,560 S \* 5/2016 Day ..... D7/367  
D782,868 S \* 4/2017 Lien ..... D7/388  
D784,064 S \* 4/2017 Hebert, Jr. .... D7/337  
D809,853 S 2/2018 Zhang  
D819,387 S \* 6/2018 Stein ..... D7/337  
D893,241 S 8/2020 Hua

\* cited by examiner  
*Primary Examiner* — Ricky Pham

(57) **CLAIM**  
The ornamental design for a pasta making machine, as shown and described.

**DESCRIPTION**  
FIG. 1 is a perspective view of a pasta making machine showing my new design;  
FIG. 2 is another perspective view thereof;  
FIG. 3 is a front elevational view thereof;  
FIG. 4 is a rear elevational view thereof;  
FIG. 5 is a left side elevational view thereof;  
FIG. 6 is a right side elevational view thereof;  
FIG. 7 is a top plan view thereof;  
FIG. 8 is a bottom plan view thereof; and,  
FIG. 9 is an exploded perspective view of the pasta making machine.  
The broken lines in the drawings depict portions of the pasta making machine that form no part of the claimed design.

**1 Claim, 9 Drawing Sheets**



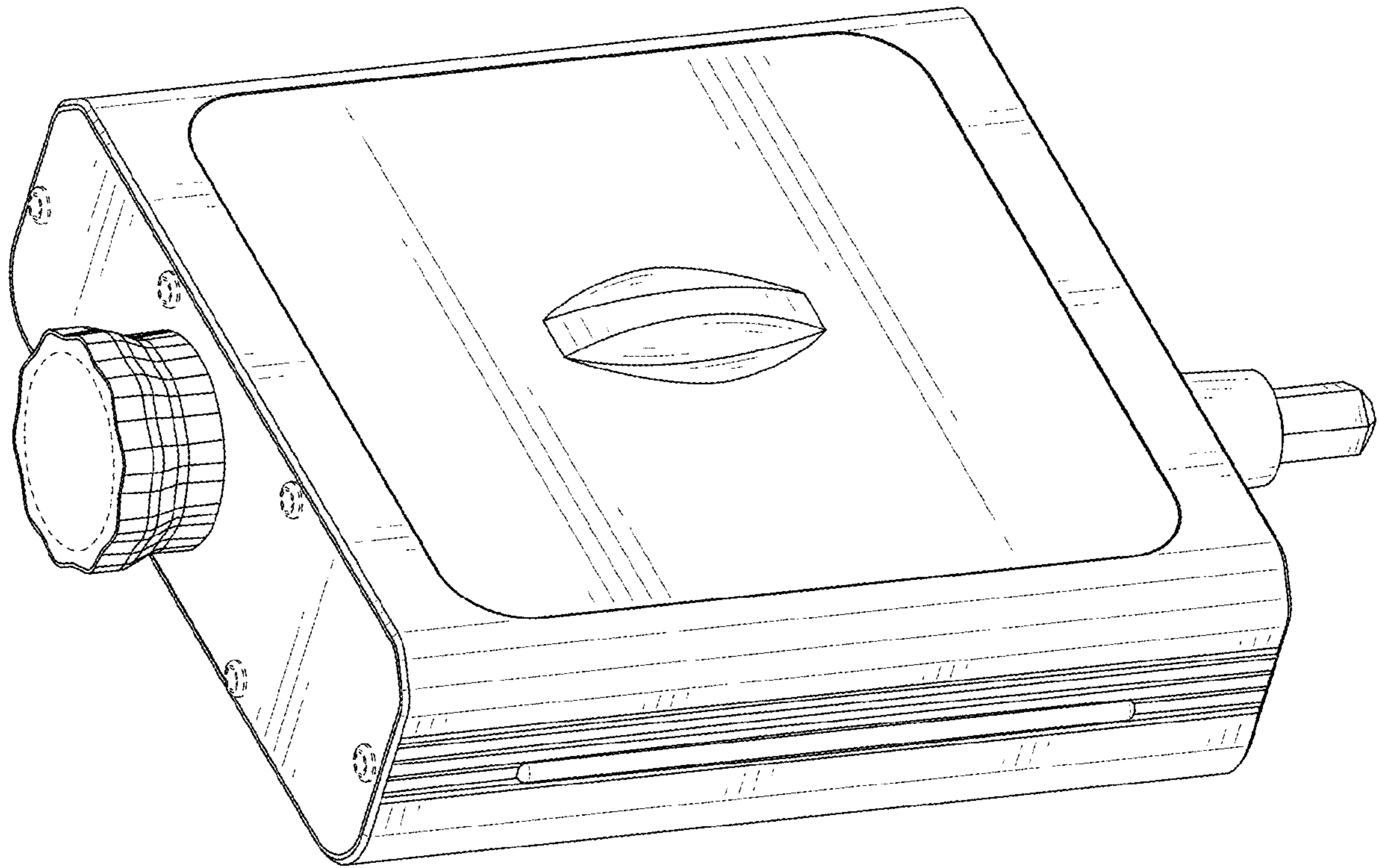


FIG. 1

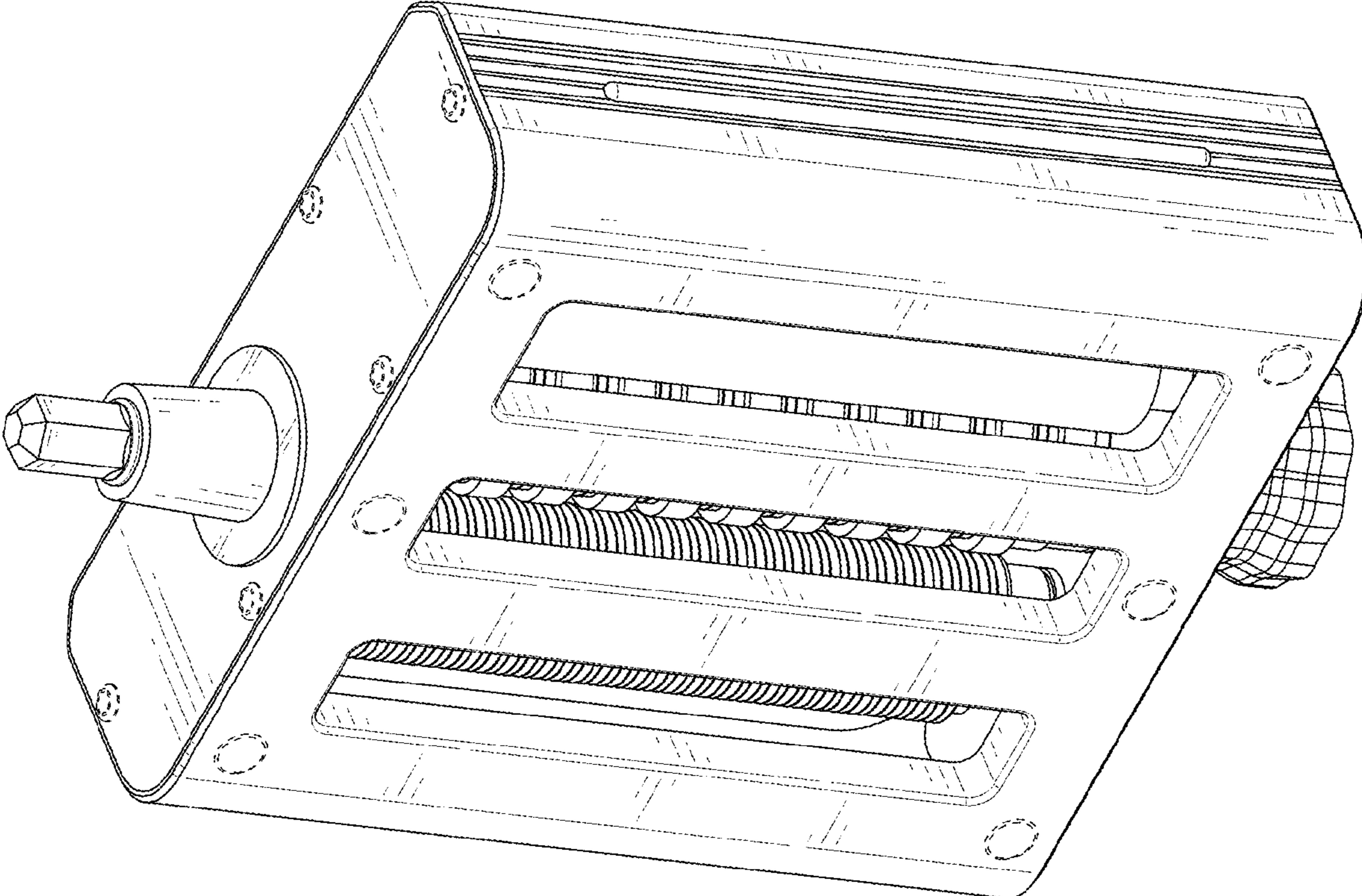


FIG. 2



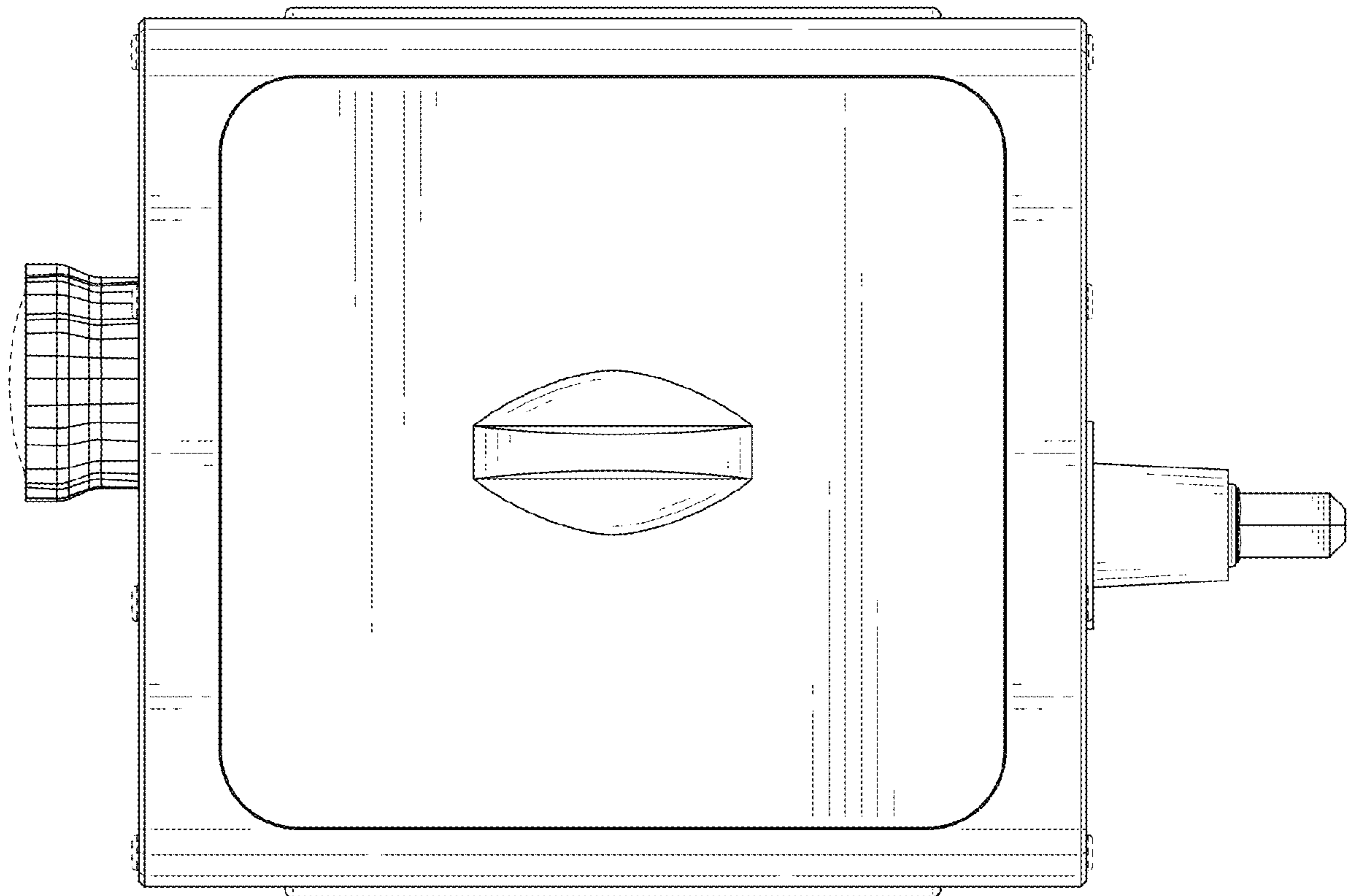


FIG. 3

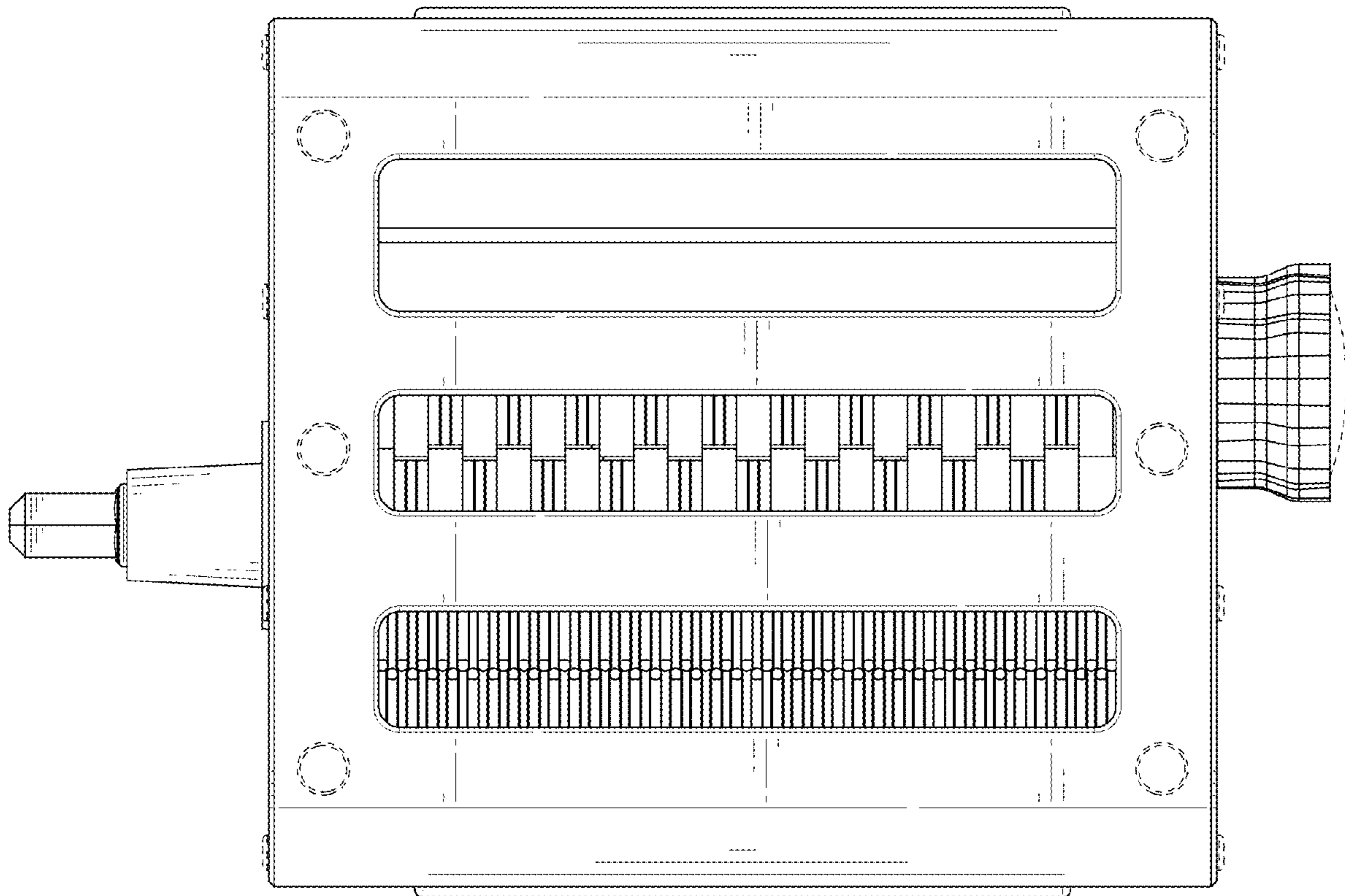


FIG. 4

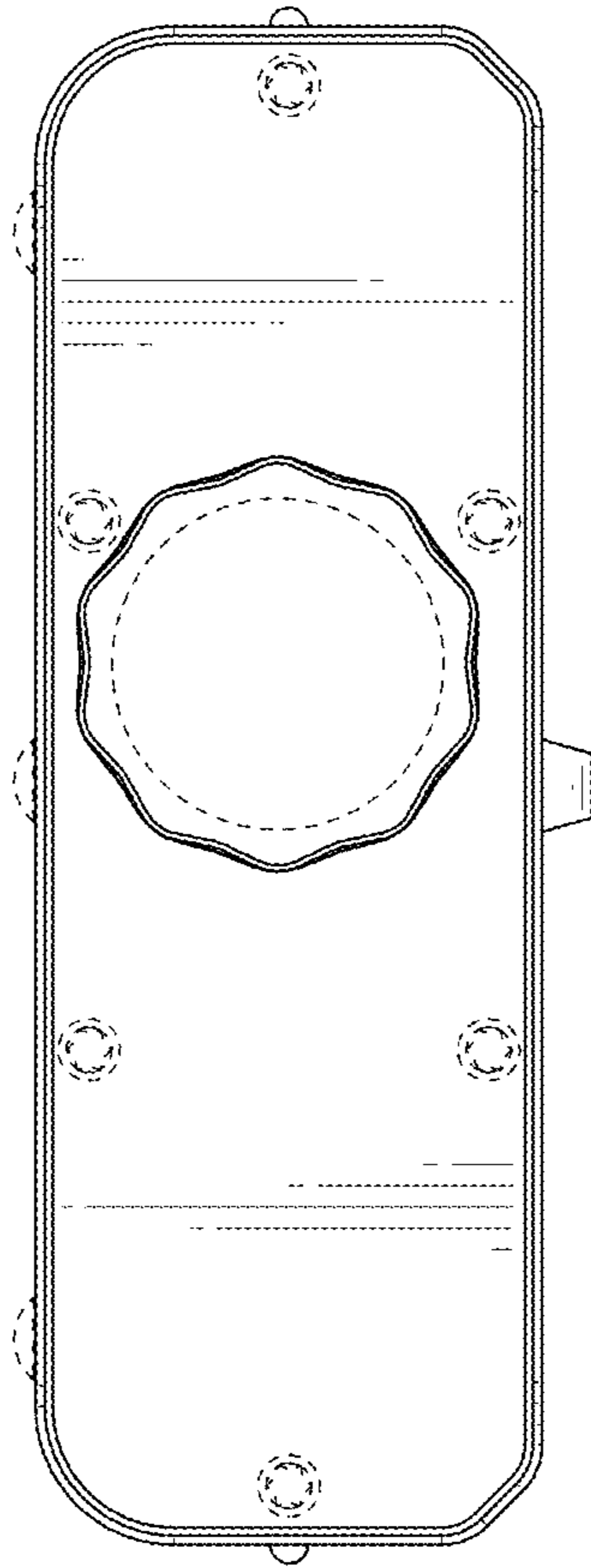


FIG. 5

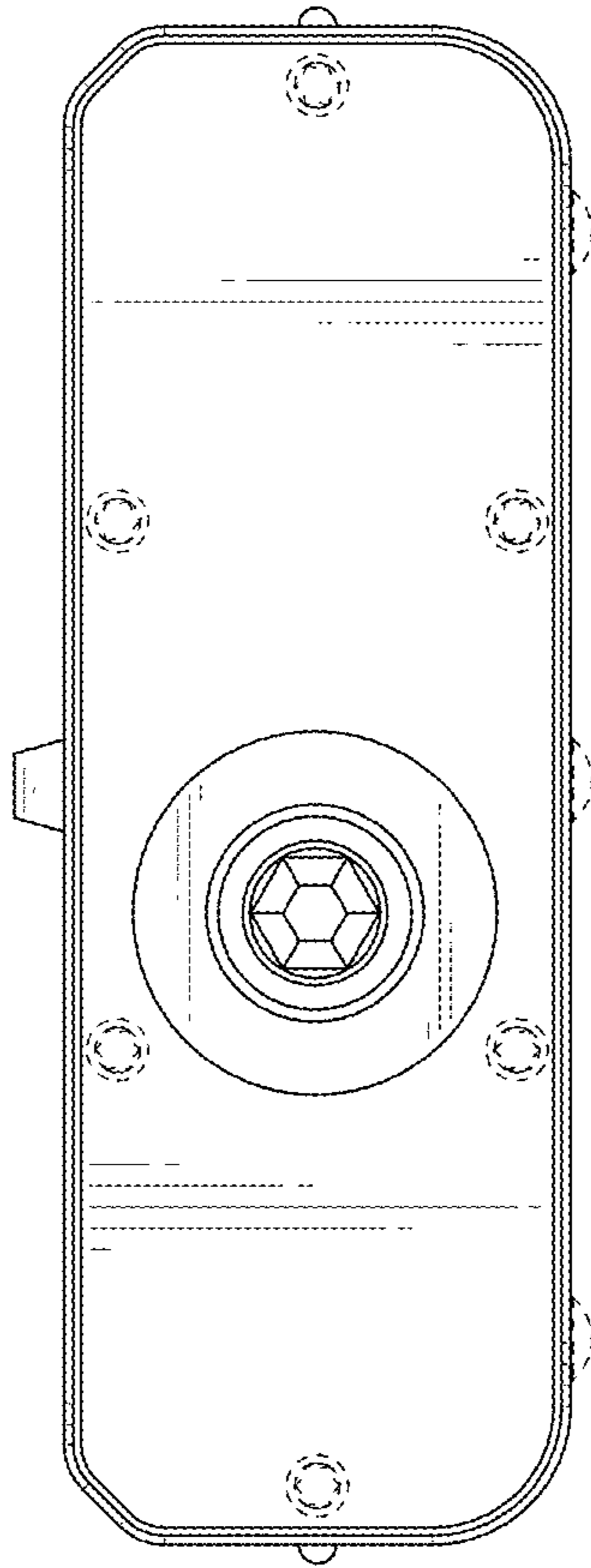


FIG. 6

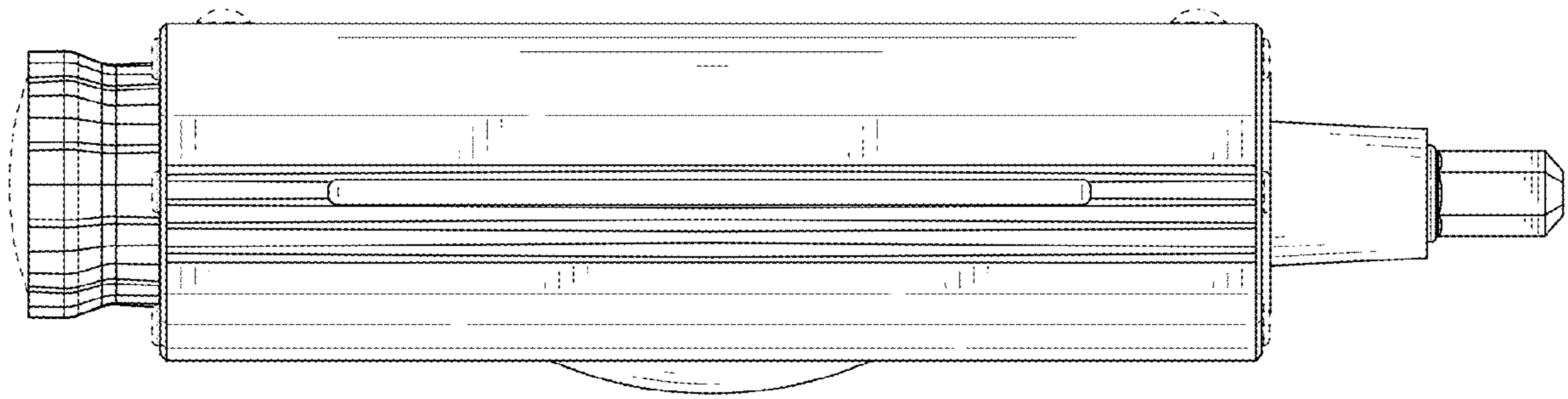


FIG. 7



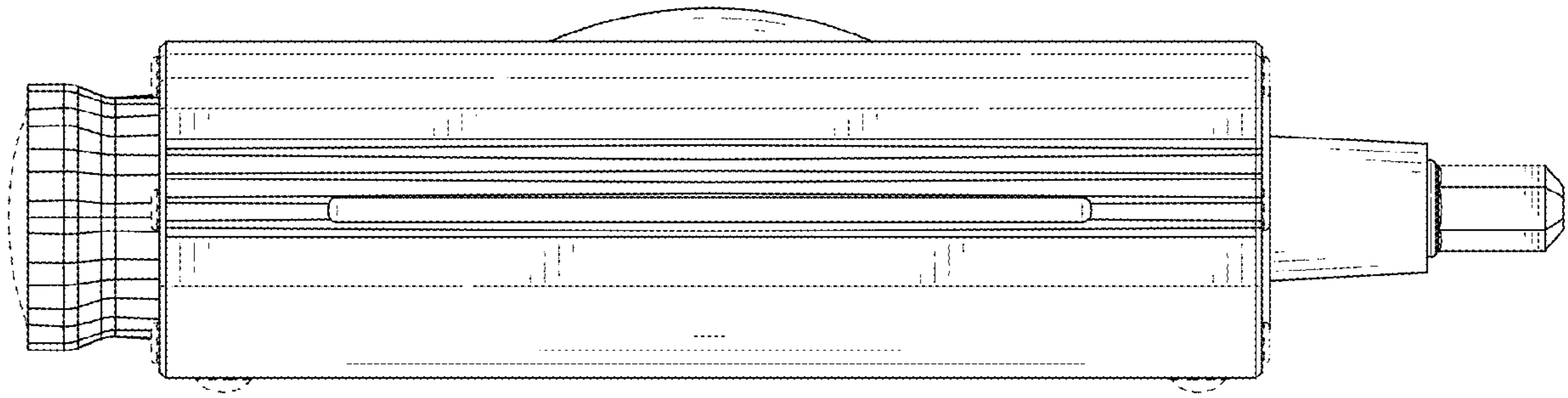


FIG. 8

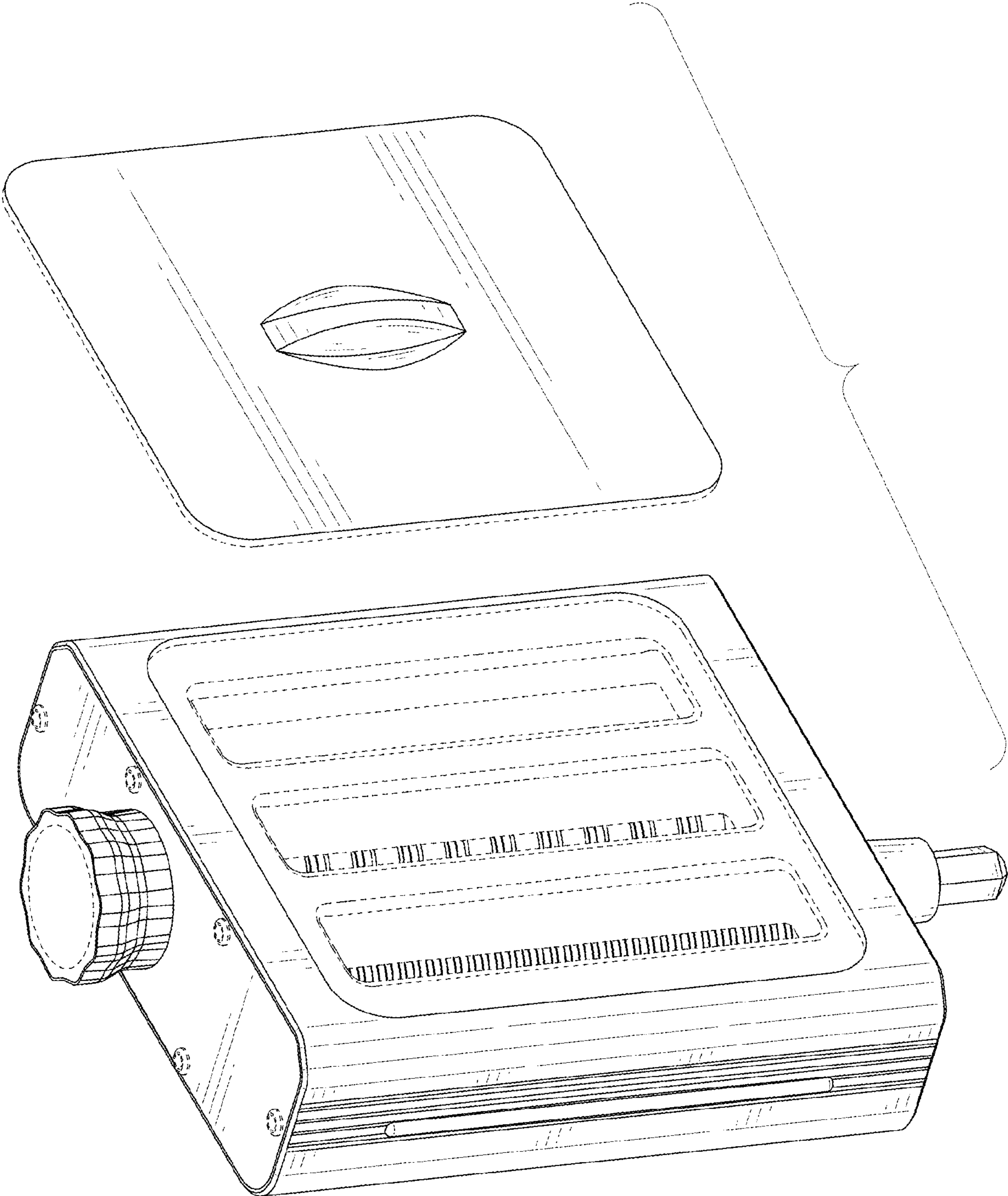


FIG. 9