



US00D906049S

(12) **United States Design Patent** (10) **Patent No.:** **US D906,049 S**
Reynolds et al. (45) **Date of Patent:** **** Dec. 29, 2020**

(54) **ROASTING PAN SUPPORT**
(71) Applicants: **Norman Reynolds**, Bogue, NC (US);
Shirley Reynolds, Bogue, NC (US)
(72) Inventors: **Norman Reynolds**, Bogue, NC (US);
Shirley Reynolds, Bogue, NC (US)
(**) Term: **15 Years**
(21) Appl. No.: **29/722,218**
(22) Filed: **Jan. 28, 2020**
(51) **LOC (12) Cl.** **07-02**
(52) **U.S. Cl.**
USPC **D7/409**
(58) **Field of Classification Search**
USPC D3/306; D7/323, 332, 335-337,
D7/354-355, 359-364, 387-388, 402,
D7/407-409, 601
CPC A21B 2/00; A21B 3/00; A21B 3/13; A21B
3/15; A21B 5/00; A21B 5/02; A23N
12/06; A23N 12/08; A23N 12/10; A47J
27/002; A47J 36/22; A47J 37/00; A47J
37/04; A47J 37/041; A47J 37/042; A47J
37/06; A47J 37/0688; A47J 37/0694;
A47J 37/07; A47J 37/0704; A47J 37/10;
A47J 47/20; A47J 2037/00; A47J
2037/06; A47J 2037/0611; A47J 2037/07;
A47J 2037/0786; A47J 2037/0795; F24C
15/10; F24C 15/12; F24C 15/14; F24C
15/16; F24C 15/18; F24C 15/164
See application file for complete search history.

(56) **References Cited**
U.S. PATENT DOCUMENTS
4,741,262 A * 5/1988 Moncrief A47J 36/22
211/132.1
D296,601 S * 7/1988 Chap D3/306
4,817,812 A 4/1989 Sarnoff

4,852,760 A 8/1989 Sarnoff
D308,317 S * 6/1990 Koziol D7/409
5,029,721 A * 7/1991 Timpe A47J 36/022
220/769
D359,880 S * 7/1995 Fielding D7/323
5,503,062 A 4/1996 Buff, IV
6,131,506 A 10/2000 Kemper
6,213,005 B1 * 4/2001 Sherman A47J 27/002
220/573.1
6,237,803 B1 5/2001 Sarnoff
D479,435 S * 9/2003 Siegel D7/409
6,952,991 B2 10/2005 Siegel
D532,653 S * 11/2006 Molayem D7/409
D534,395 S * 1/2007 Home D7/409
D699,073 S * 2/2014 Cheung D7/402
8,678,223 B2 3/2014 Sarnoff
D782,879 S * 4/2017 Schiller D7/601
D814,190 S 4/2018 Mishan
D866,243 S * 11/2019 Cloutier D7/360
2006/0130673 A1 * 6/2006 Kaliveh A47J 37/0694
99/450
2018/0110376 A1 4/2018 Bieber

FOREIGN PATENT DOCUMENTS

CA 2272814 5/2002

* cited by examiner

Primary Examiner — Ricky Pham

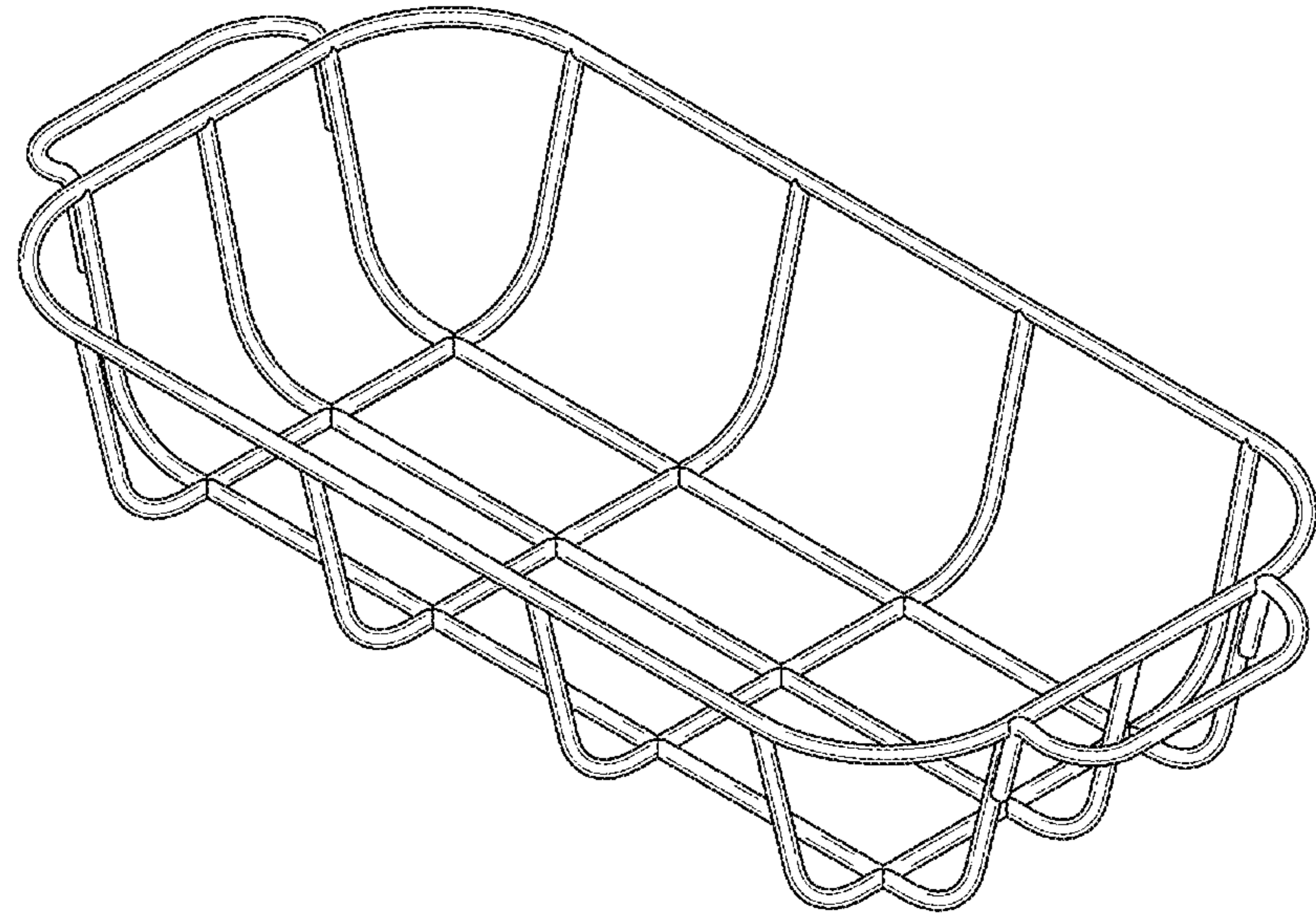
(57) **CLAIM**

We claim the ornamental design for a roasting pan support, as shown and described.

DESCRIPTION

FIG. 1 is a front view of the roasting pan support.
FIG. 2 is a rear view of the claimed design.
FIG. 3 is a left side view of the claimed design.
FIG. 4 is a right side view of the claimed design.
FIG. 5 is a top view of the claimed design.
FIG. 6 is a bottom view of the claimed design; and,
FIG. 7 is a perspective view of the claimed design.

1 Claim, 5 Drawing Sheets



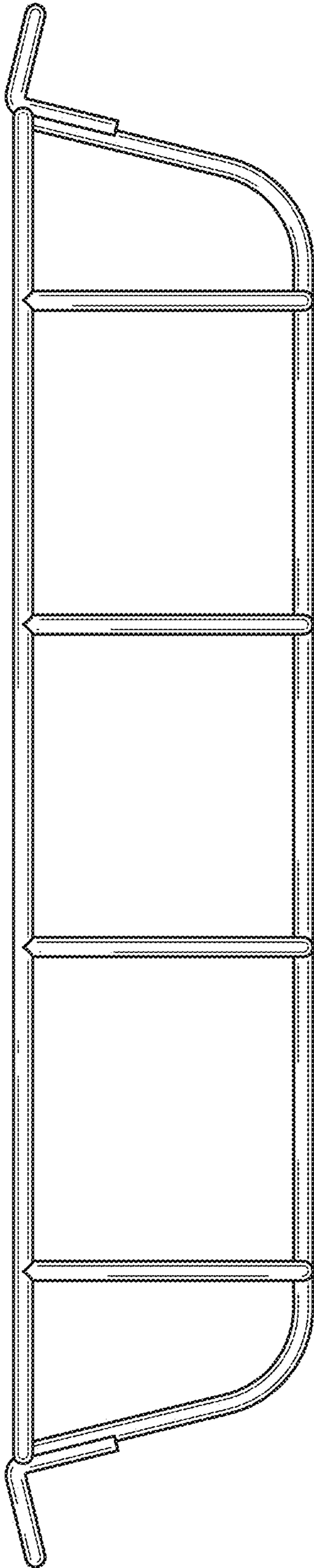


FIG. 1

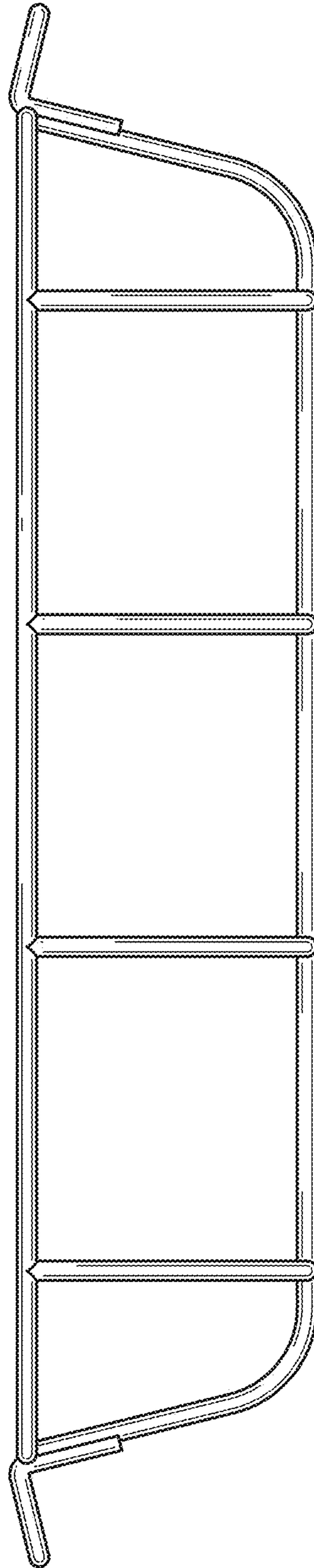


FIG. 2

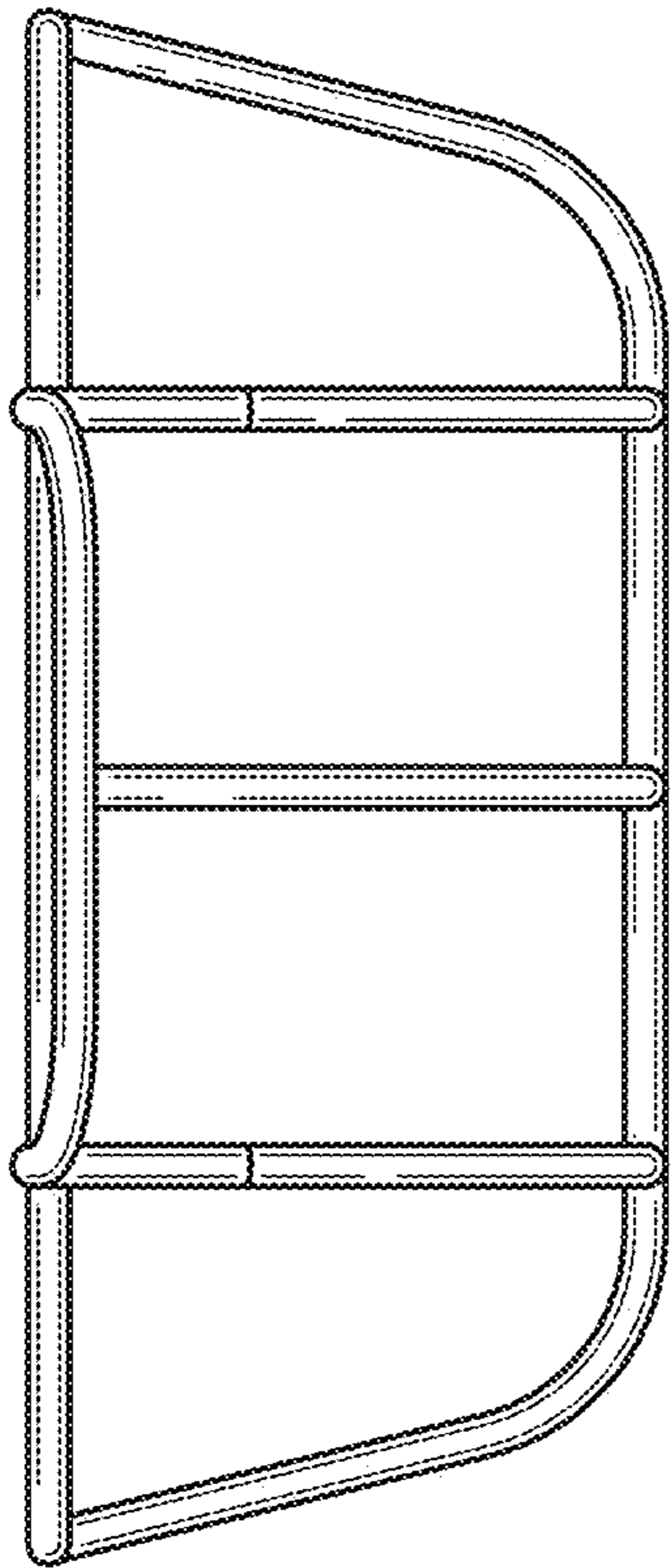


FIG. 3

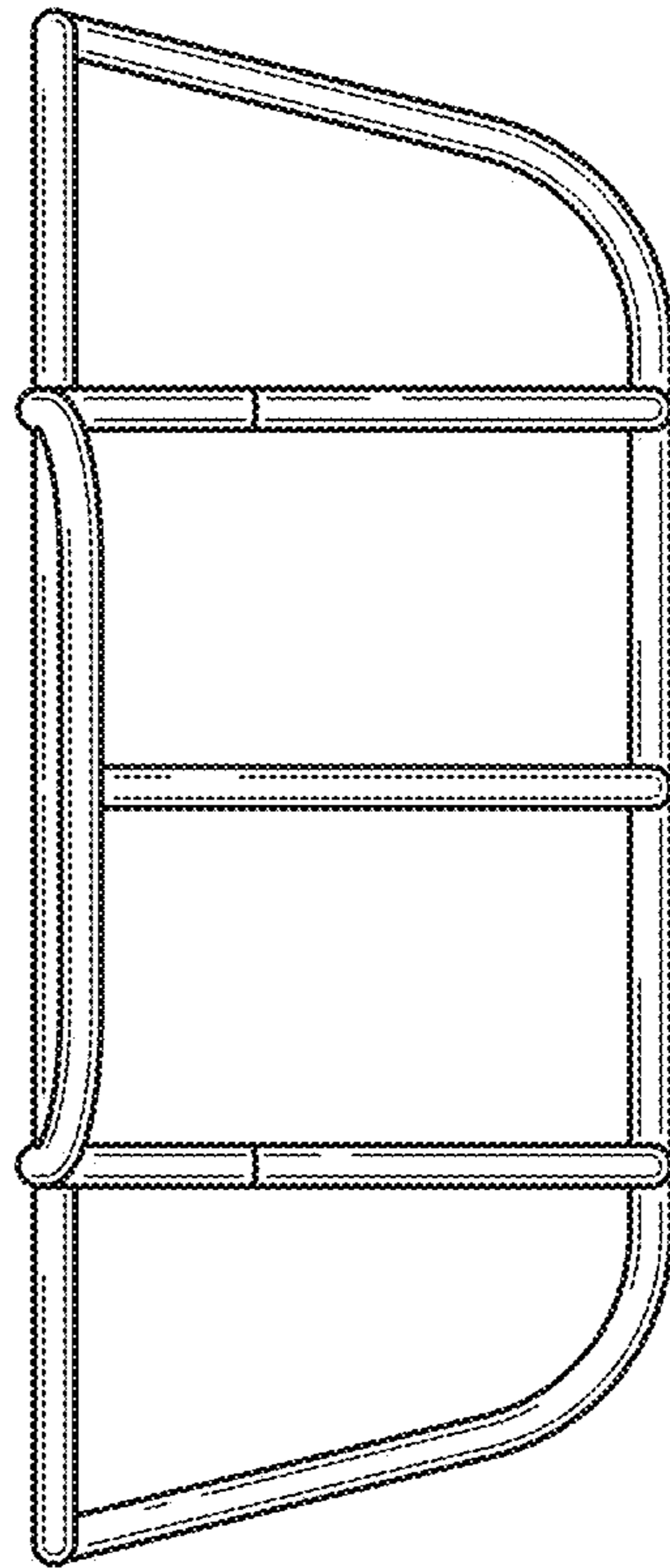


FIG. 4

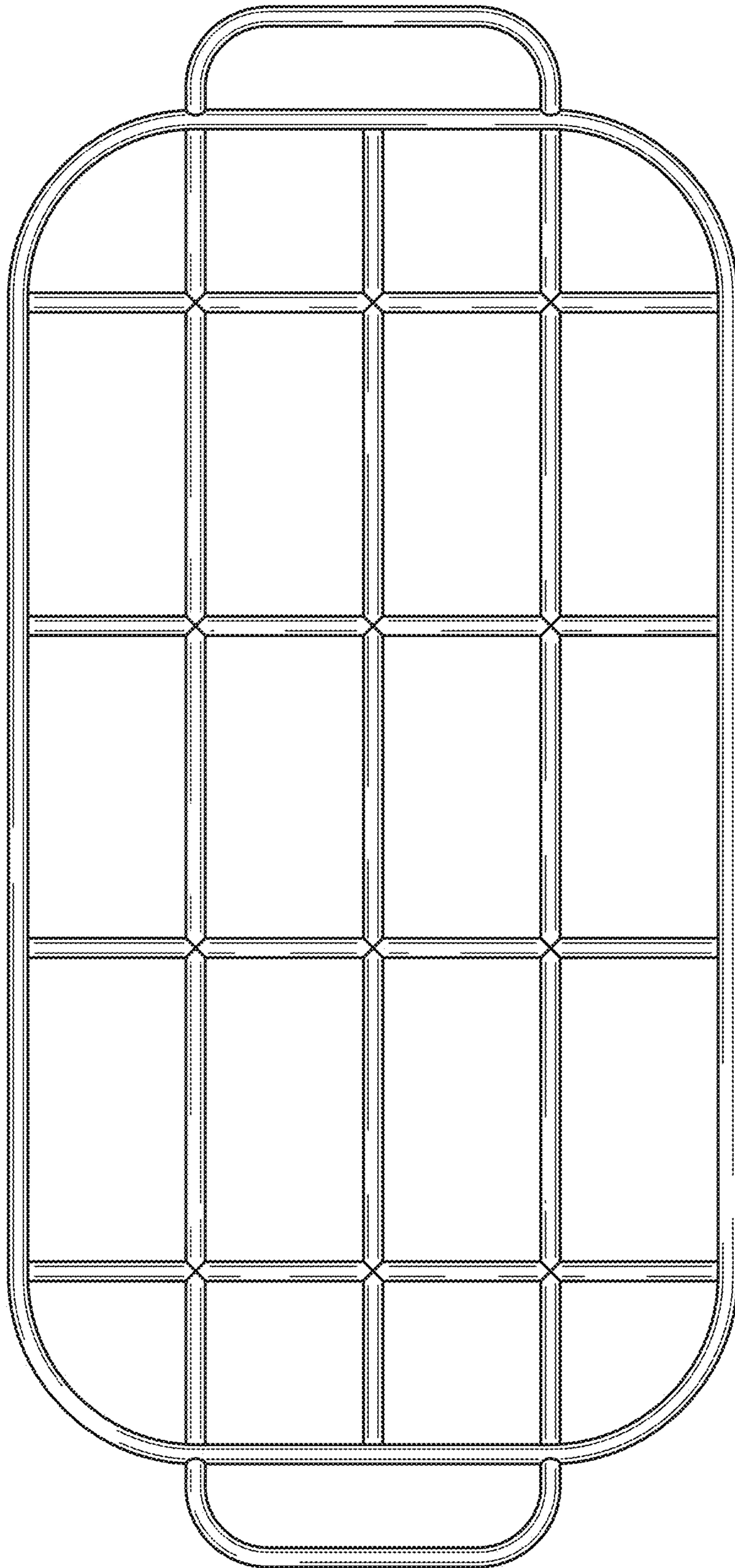


FIG. 5

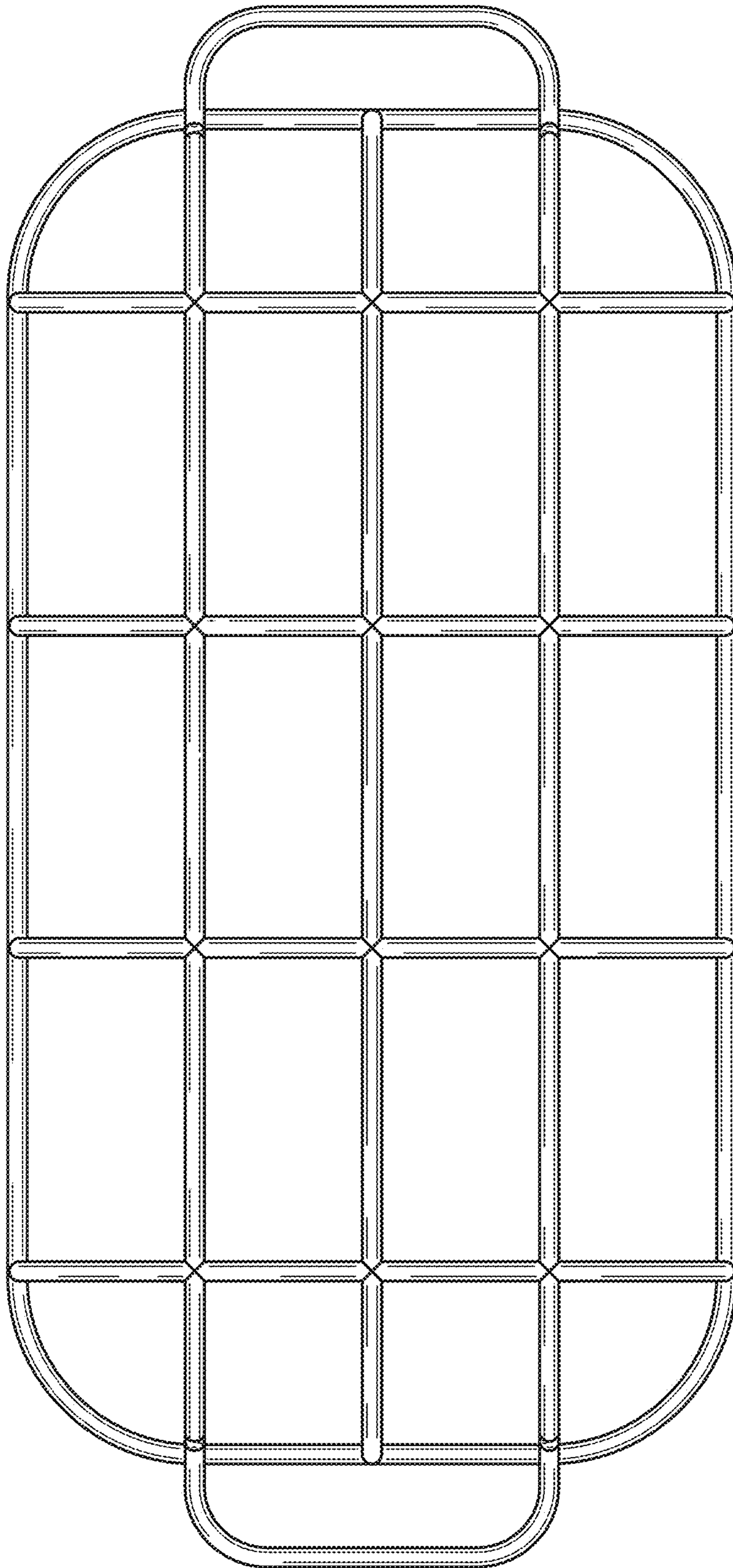


FIG. 6

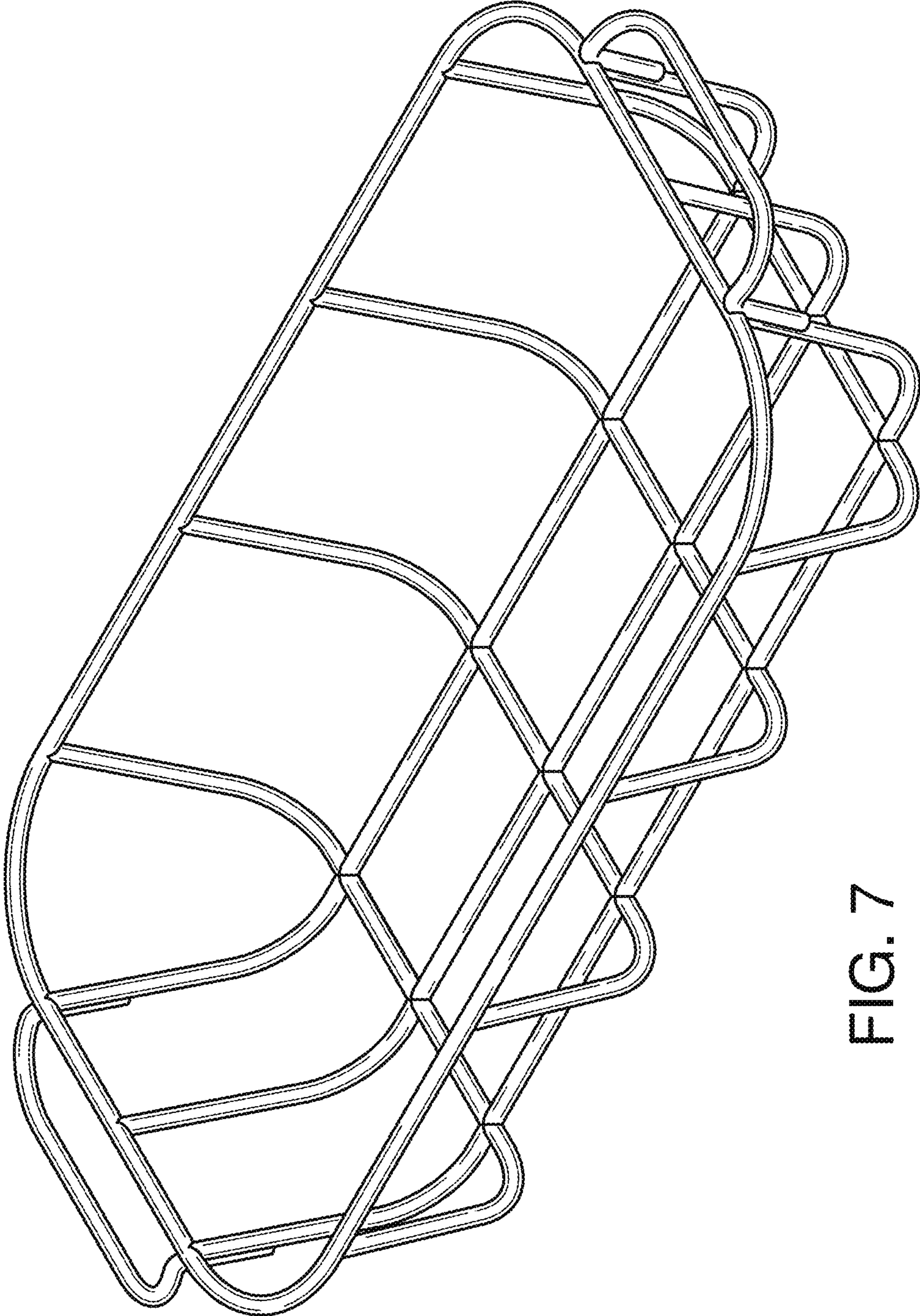


FIG. 7