



US00D906047S

(12) **United States Design Patent**
Henkel

(10) **Patent No.:** **US D906,047 S**
(45) **Date of Patent:** **** Dec. 29, 2020**

(54) **COMPONENT OF A DEVICE FOR HOLDING A COFFEE FILTER AND COFFEE GROUNDS WHILE POURING WATER THROUGH THE COFFEE GROUNDS TO MAKE COFFEE**

(71) Applicant: **MiiR Holdings, LLC**, Seattle, WA (US)

(72) Inventor: **Geoff Henkel**, Seattle, WA (US)

(73) Assignee: **MiiR Holdings, LLC**, Seattle, WA (US)

(**) Term: **15 Years**

(21) Appl. No.: **29/687,479**

(22) Filed: **Apr. 12, 2019**

(51) **LOC (12) Cl.** **07-99**

(52) **U.S. Cl.**
USPC **D7/400**; D9/433; D7/399; D7/397

(58) **Field of Classification Search**
USPC D7/400, 399, 678, 667, 668, 397, 392.2; 99/323; 426/433, 80, 435, 83, 77; 206/0.5; D1/199, 102; D9/703, 433, 431
CPC A47J 31/00; A47J 31/02; A47J 31/0636; A47J 31/10; A47J 31/06; A47J 31/08; B65D 85/812; B65D 71/00
See application file for complete search history.

(56) **References Cited**

U.S. PATENT DOCUMENTS

3,800,954	A *	4/1974	Lampcov	A47J 31/08	210/497.2
4,362,623	A *	12/1982	Holopainen	B65D 71/00	206/499
D274,115	S *	6/1984	Gavin	D7/400	
4,715,271	A *	12/1987	Kitagawa	B65D 85/8043	210/474
4,863,601	A *	9/1989	Wittekind	A47J 31/02	210/474

5,132,124	A *	7/1992	Tamaki	A47G 19/16	210/474
5,318,786	A *	6/1994	Clarkson	B65D 85/812	426/79
5,605,710	A *	2/1997	Pridonoff	A47J 31/02	206/0.5
5,842,408	A *	12/1998	Hatta	A47J 31/02	99/323
7,918,364	B2 *	4/2011	Kim	B65D 81/3876	220/738
D653,079	S *	1/2012	King	D7/400	
D679,942	S *	4/2013	Lyall, III	D7/400	
8,746,131	B2 *	6/2014	Saitoh	A47J 31/005	99/279
D717,109	S *	11/2014	Simontov	D7/400	
D761,054	S *	7/2016	Simontov	D7/400	
D768,435	S *	10/2016	Hoorntje	D7/400	
D877,609	S *	3/2020	Elman	D9/414	
D878,932	S *	3/2020	Holley, Jr.	D9/753	

(Continued)

Primary Examiner — Marianne N Pandozzi
(74) *Attorney, Agent, or Firm* — Janeway Patent Law PLLC; John M. Janeway

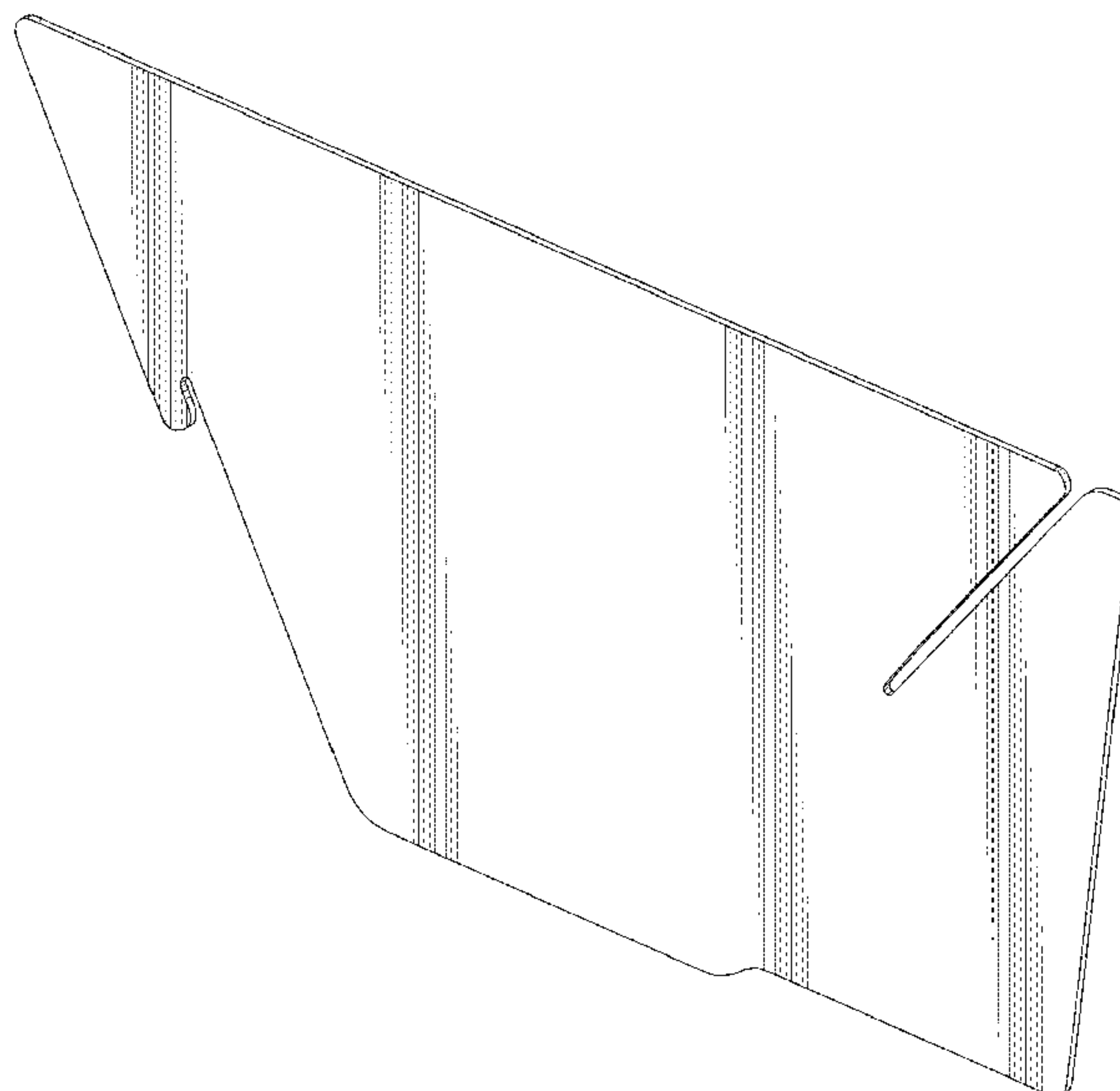
(57) **CLAIM**

The ornamental design for a component of a device for holding a coffee filter and coffee grounds while pouring water through the coffee grounds to make coffee, as shown and described.

DESCRIPTION

FIG. 1 is a perspective view of the component showing my new design, according to the invention.
FIG. 2 is a front, elevation view of the component.
FIG. 3 is a rear, elevation view of the component.
FIG. 4 is a right side, elevation view of the component.
FIG. 5 is a left side, elevation view of the component.
FIG. 6 is a top, plan view of the component; and,
FIG. 7 is a bottom, plan view of the component.

1 Claim, 5 Drawing Sheets



(56)

References Cited

U.S. PATENT DOCUMENTS

D885,177 S * 5/2020 Sevšek D9/431
2006/0177159 A1* 8/2006 Aikenhead B65D 31/16
383/104
2017/0071394 A1* 3/2017 Numata A47J 31/08
2018/0257853 A1* 9/2018 Chuang B65D 85/8043
2019/0029460 A1* 1/2019 Cohen A47J 31/02
2019/0313837 A1* 10/2019 Wu A47J 31/10

* cited by examiner

FIG. 1

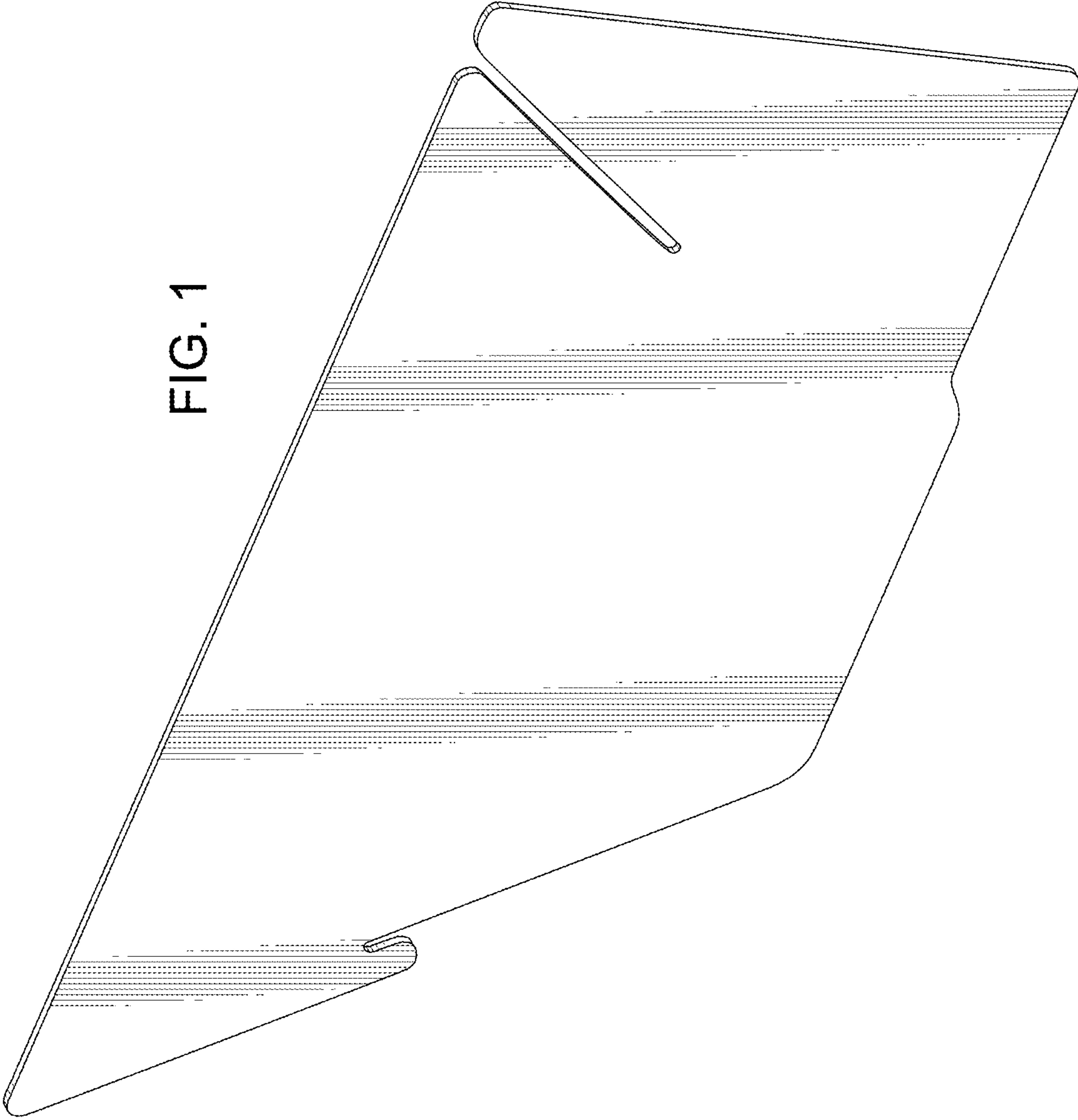


FIG. 2

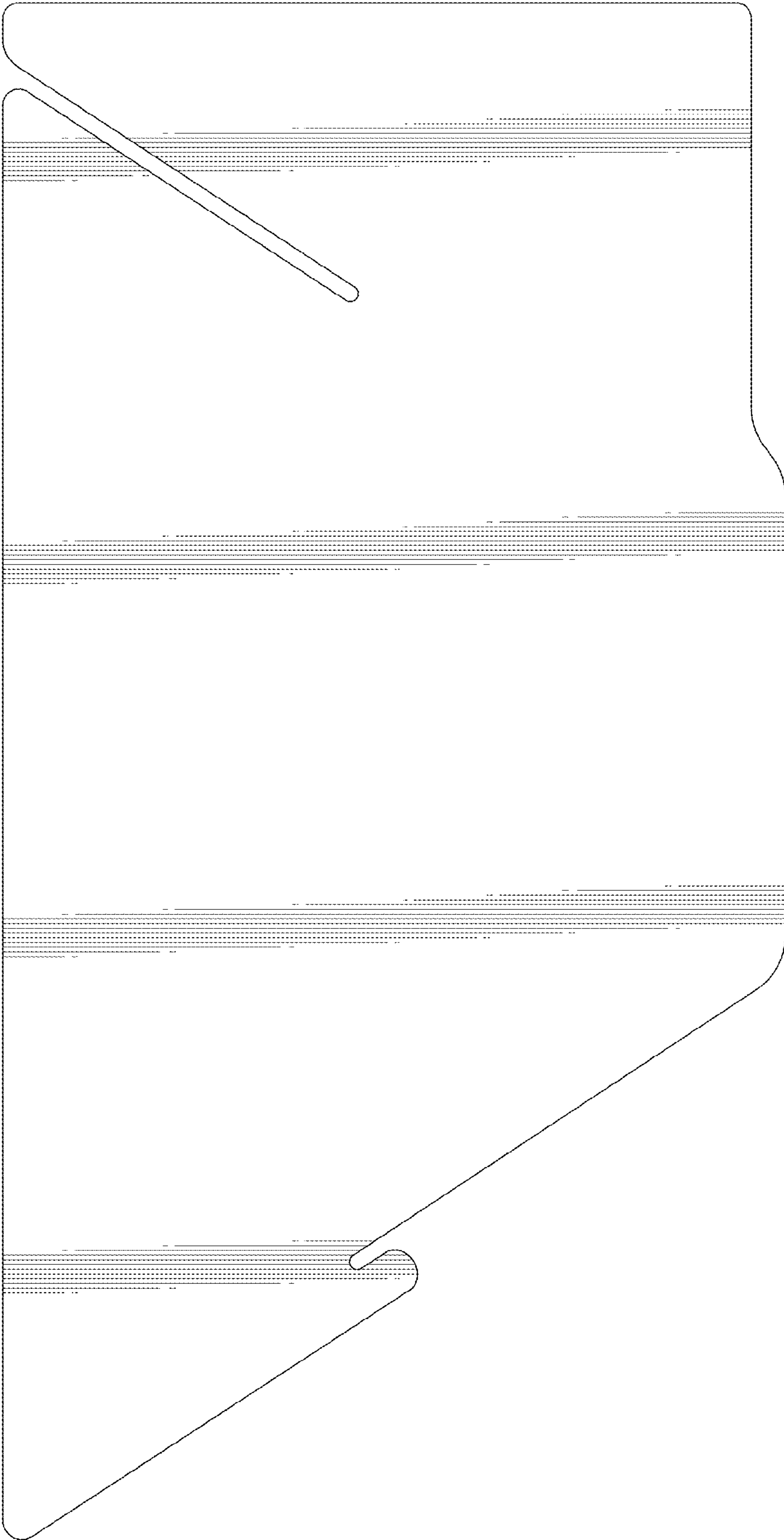


FIG. 3



FIG. 4

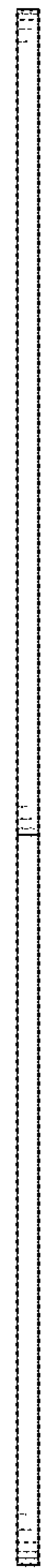


FIG. 5



FIG. 6

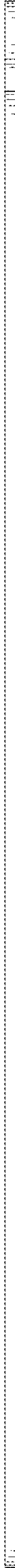


FIG. 7

