



US00D906045S

(12) **United States Design Patent** (10) **Patent No.:** **US D906,045 S**  
**Stropkay et al.** (45) **Date of Patent:** **\*\* \*Dec. 29, 2020**

- (54) **BEVERAGE DISPENSER WITH HOSE**
- (71) Applicant: **Coravin, Inc.**, Burlington, MA (US)
- (72) Inventors: **Scott Stropkay**, Carlisle, MA (US);  
**Mark Matthews**, Scituate, MA (US);  
**Rory McGarry**, Hingham, MA (US);  
**Otto DeRuntz**, Dunstable, MA (US);  
**Michael Rider**, Lowell, MA (US)
- (73) Assignee: **Coravin, Inc.**, Bedford, MA (US)
- (\*) Notice: This patent is subject to a terminal disclaimer.
- (\*\*) Term: **15 Years**
- (21) Appl. No.: **29/664,346**
- (22) Filed: **Sep. 24, 2018**
- (51) **LOC (12) Cl.** ..... **07-99**
- (52) **U.S. Cl.**  
USPC ..... **D7/397**; D7/300; D7/665
- (58) **Field of Classification Search**  
USPC ..... D7/397-401, 309-311, 306, 605, 392.1,  
D7/396.2, 316-319, 300, 665, 312, 313;  
D8/42; D9/447, 448  
CPC ..... B67D 1/0412  
See application file for complete search history.

- 8,033,431 B2 10/2011 Sommerfield et al.
- D660,072 S 5/2012 Makhanlall
- D679,933 S 4/2013 Bruno et al.
- D689,353 S 9/2013 Dockser et al.

(Continued)

**OTHER PUBLICATIONS**

CNET, The Coravin Model 11, Jan. 9, 2018, Youtube, [https://www.youtube.com/watch?v=LIORvj\\_ch30](https://www.youtube.com/watch?v=LIORvj_ch30) (Year: 2018).\*

(Continued)

*Primary Examiner* — Brett Miller

(74) *Attorney, Agent, or Firm* — Wolf, Greenfield & Sacks, P.C.

(57) **CLAIM**

The ornamental design for a beverage dispenser with hose, as shown and described.

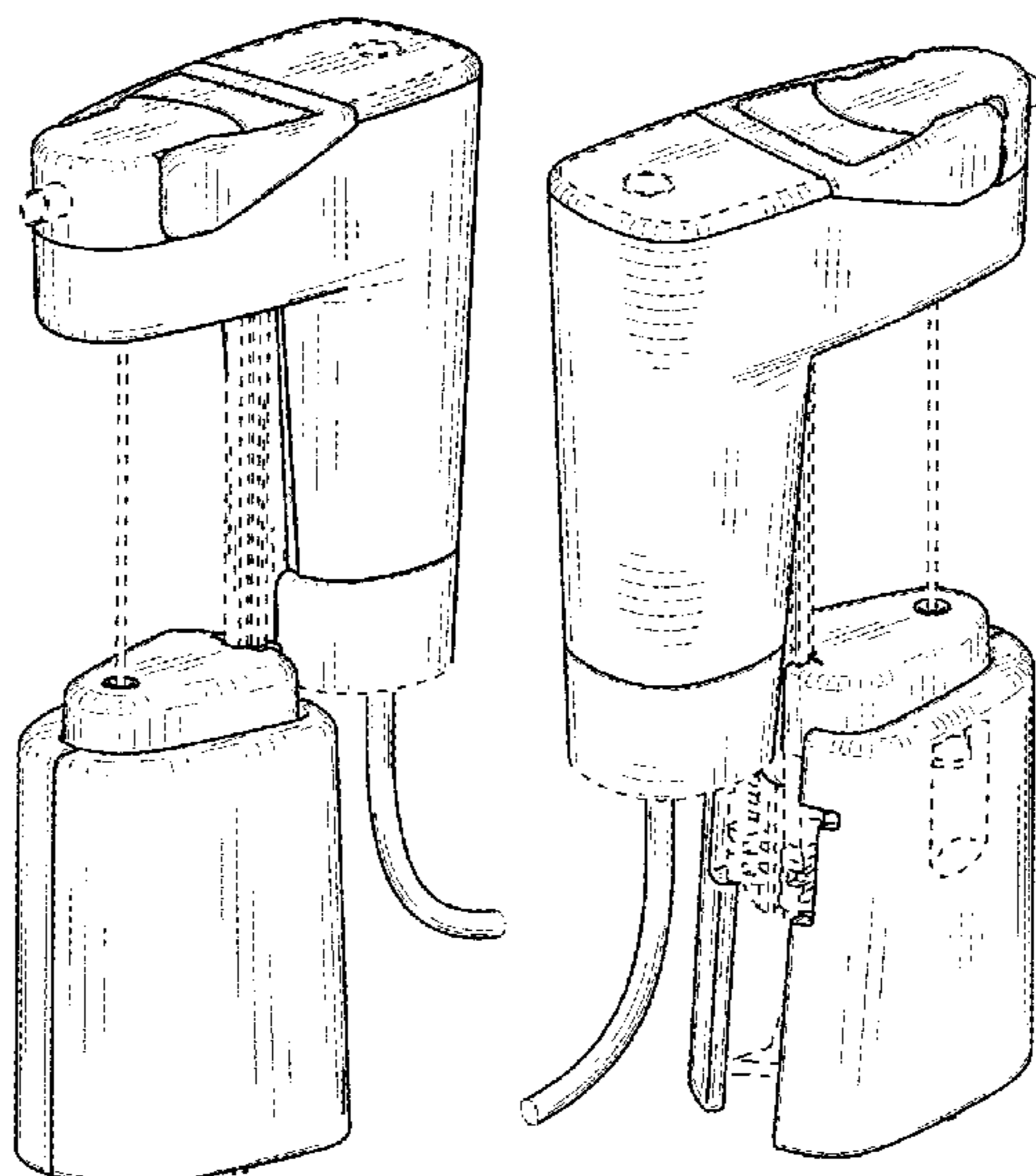
**DESCRIPTION**

FIG. 1 is a top, front, right side perspective view of a beverage dispenser with hose showing our new design; FIG. 2 is a front elevation view thereof; FIG. 3 is a right side elevation view thereof; FIG. 4 is a top plan view thereof; FIG. 5 is a rear elevation view thereof; FIG. 6 is a left side elevation view thereof; FIG. 7 is a bottom plan view thereof; FIG. 8 is a top, rear, left side perspective view thereof; and, FIG. 9 is a left side elevation view of the beverage dispenser with hose, shown with the hose connected to a gas tank. The dash-dash broken lines shown in FIGS. 1-8 represent portions of the beverage dispenser with hose that form no part of the claimed design. The additional dash-dash broken lines shown in FIG. 9 represent environmental matter and form no part of the claimed design. The short dash-long dash broken lines define boundaries of the claimed design and form no part of the claimed design.

**1 Claim, 4 Drawing Sheets**

(56) **References Cited**  
U.S. PATENT DOCUMENTS

- D268,245 S 3/1983 Makino et al.
- D276,788 S 12/1984 Ravreby
- D404,604 S 1/1999 Pochopien et al.
- D442,010 S 5/2001 Collin et al.
- D464,241 S 10/2002 Sun
- D471,778 S 3/2003 Federighi
- D477,757 S 7/2003 Yu
- D600,493 S 9/2009 Pino et al.
- D610,388 S 2/2010 Hazan et al.
- 7,717,027 B2 5/2010 Sato et al.



(56)

**References Cited**

U.S. PATENT DOCUMENTS

D717,578 S 11/2014 Lazaris et al.  
 9,010,588 B2 4/2015 Lambrecht  
 D731,223 S 6/2015 Hatherell  
 D755,554 S 5/2016 Lazaris et al.  
 D778,125 S 2/2017 Metaxatos et al.  
 D792,729 S 7/2017 Adewuyi  
 D794,401 S 8/2017 Chen  
 D795,026 S 8/2017 Fouquet  
 D799,879 S 10/2017 Shmueli et al.  
 D801,129 S 10/2017 Metaxatos et al.  
 D802,976 S 11/2017 Buchik  
 D812,971 S \* 3/2018 Moon ..... D7/397  
 D816,383 S 5/2018 Liang  
 D849,463 S 5/2019 Rider et al.  
 D851,438 S 6/2019 Rider et al.  
 D868,521 S \* 12/2019 Stropkay ..... D7/306  
 D869,217 S \* 12/2019 Stropkay ..... D7/306

D869,231 S \* 12/2019 Stropkay ..... D7/397  
 D877,563 S \* 3/2020 Cauwood ..... D7/397  
 D878,152 S \* 3/2020 McDonald ..... D7/398  
 D879,533 S \* 3/2020 Liuzza ..... D7/306  
 D893,249 S \* 8/2020 Liu ..... D7/398  
 2014/0102310 A1 \* 4/2014 Aardenburg ..... A47J 31/3676  
 99/295  
 2014/0183227 A1 7/2014 Barnini  
 2017/0312706 A1 11/2017 Song et al.  
 2018/0177329 A1 6/2018 Segiet et al.

OTHER PUBLICATIONS

U.S. Appl. No. 29/662,073, filed Aug. 31, 2018, Stropkay et al.  
 U.S. Appl. No. 29/662,071, filed Aug. 31, 2018, Stropkay et al.  
 U.S. Appl. No. 29/662,070, filed Aug. 31, 2018, Stropkay et al.  
 U.S. Appl. No. 29/662,068, filed Aug. 31, 2018, DeRuntz et al.  
 U.S. Appl. No. 29/664,341, filed Sep. 24, 2018, Stropkay et al.

\* cited by examiner

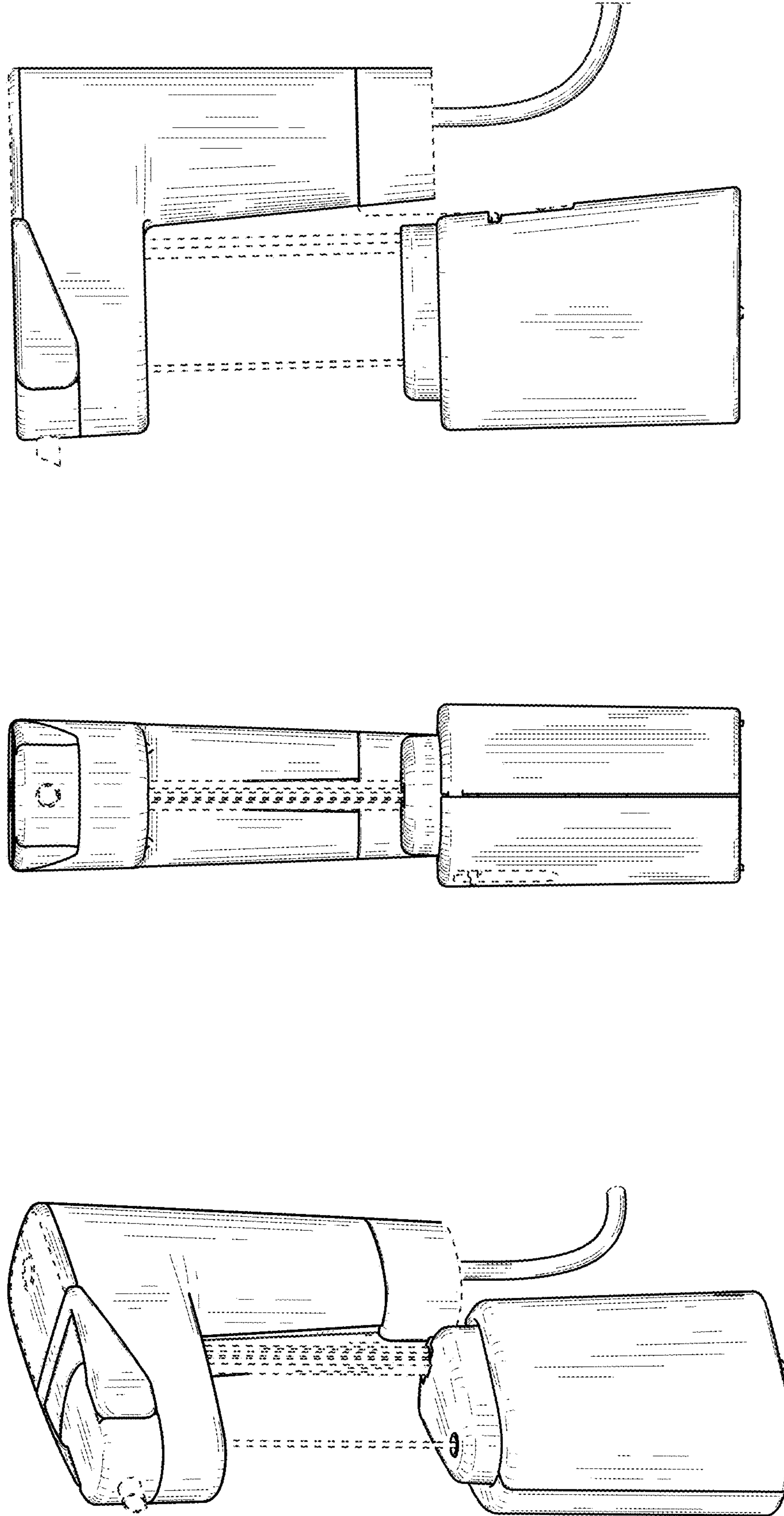


FIG. 3

FIG. 2

FIG. 1

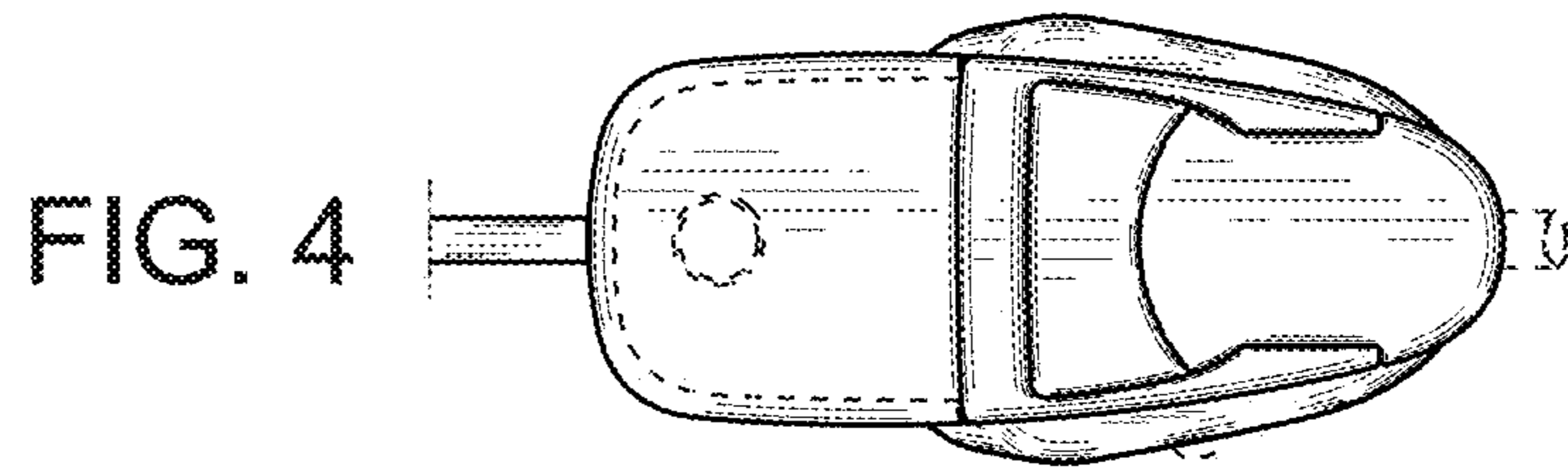


FIG. 5

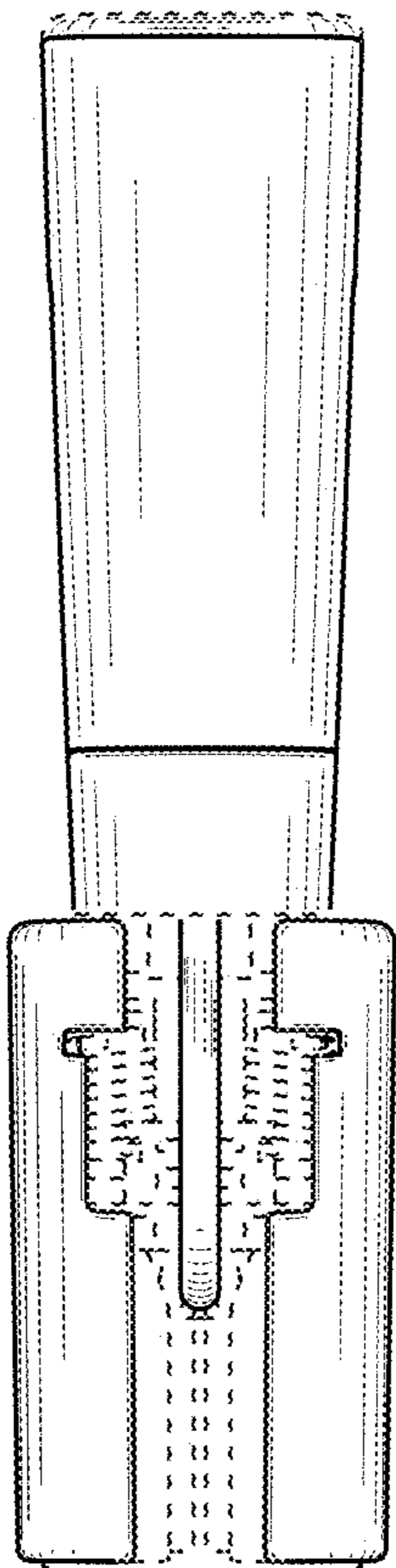


FIG. 6

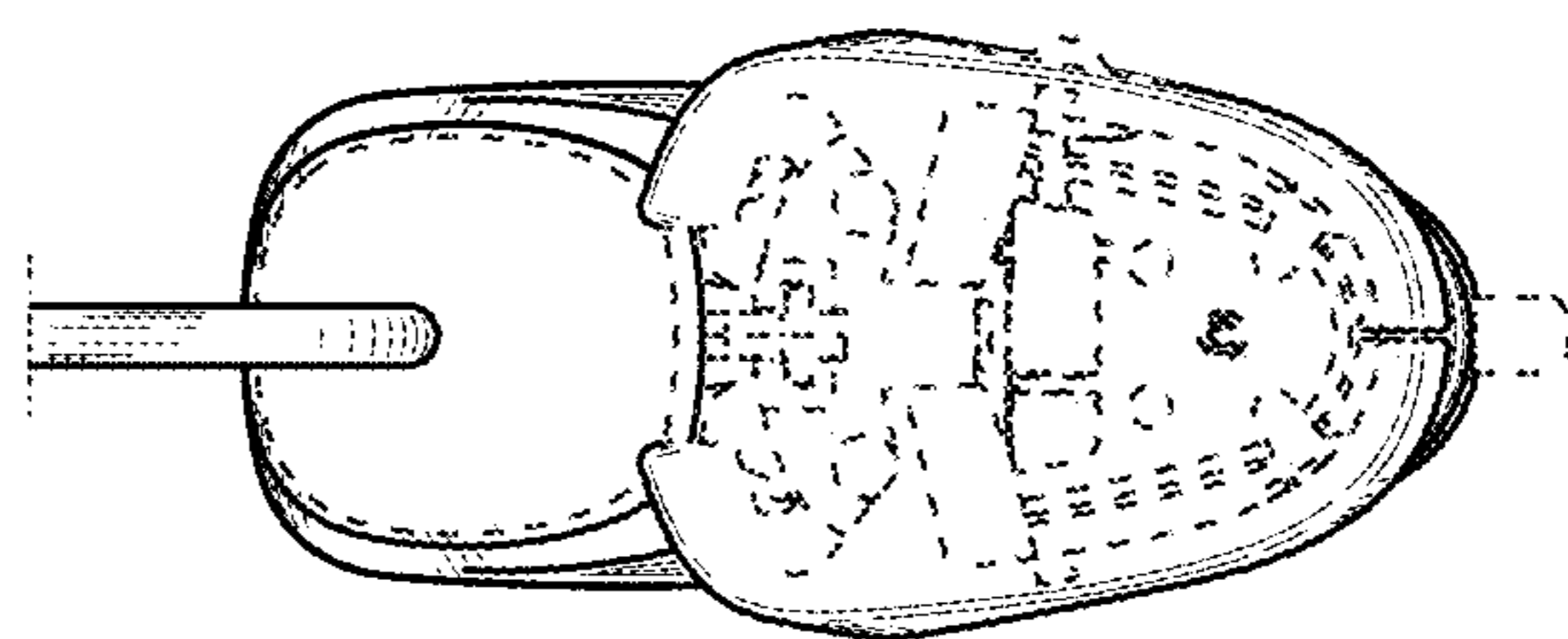
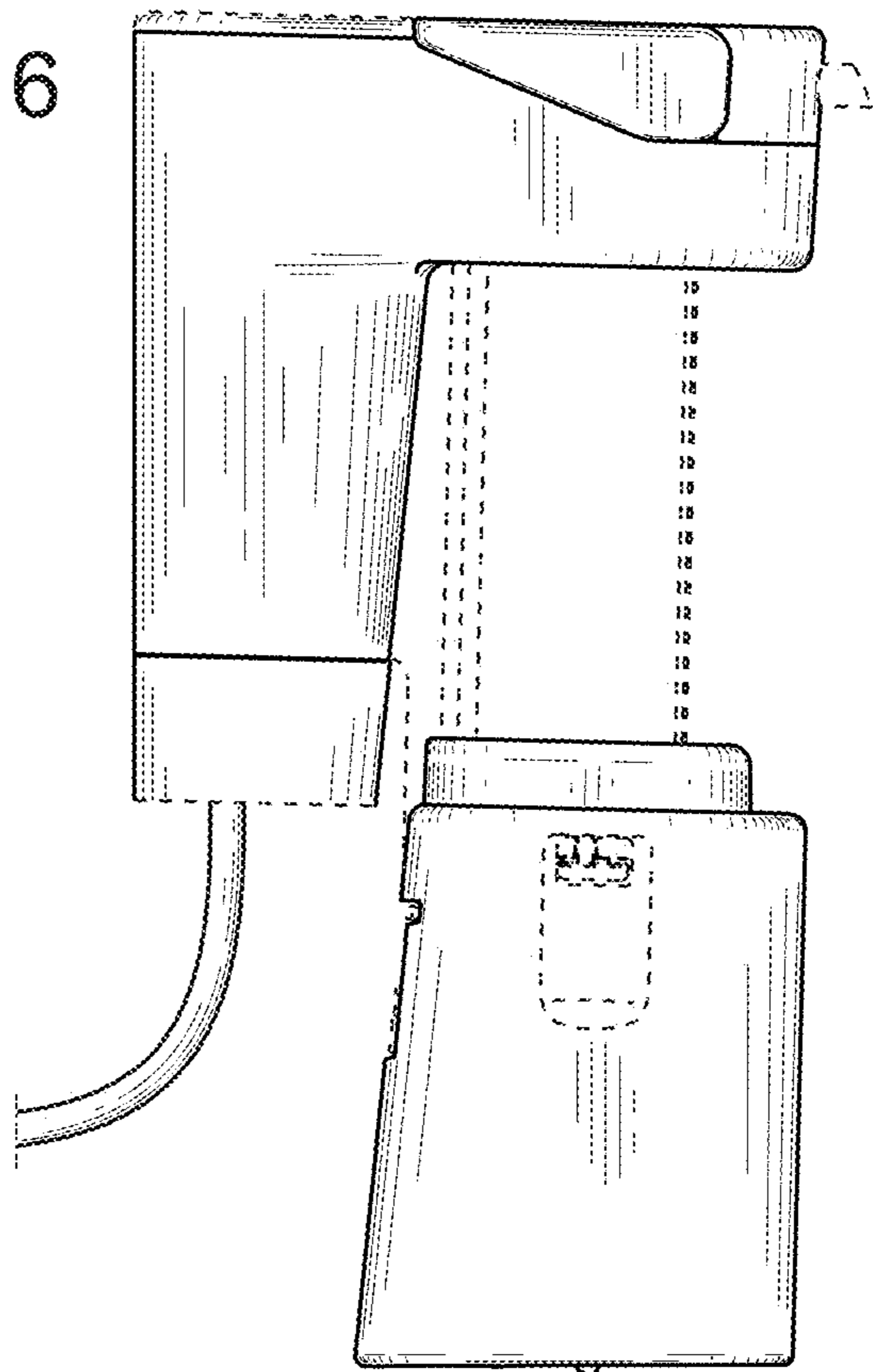


FIG. 7

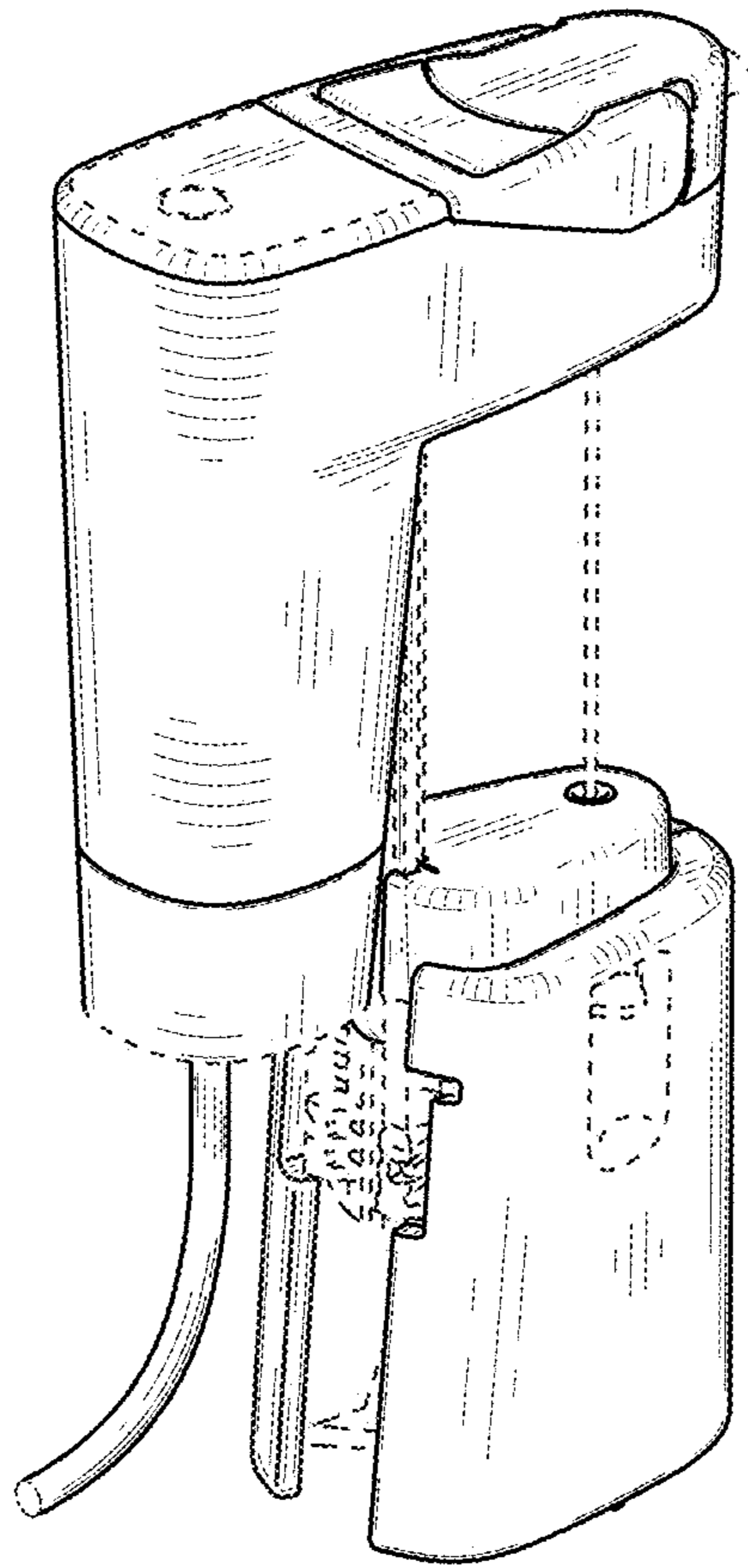


FIG. 8

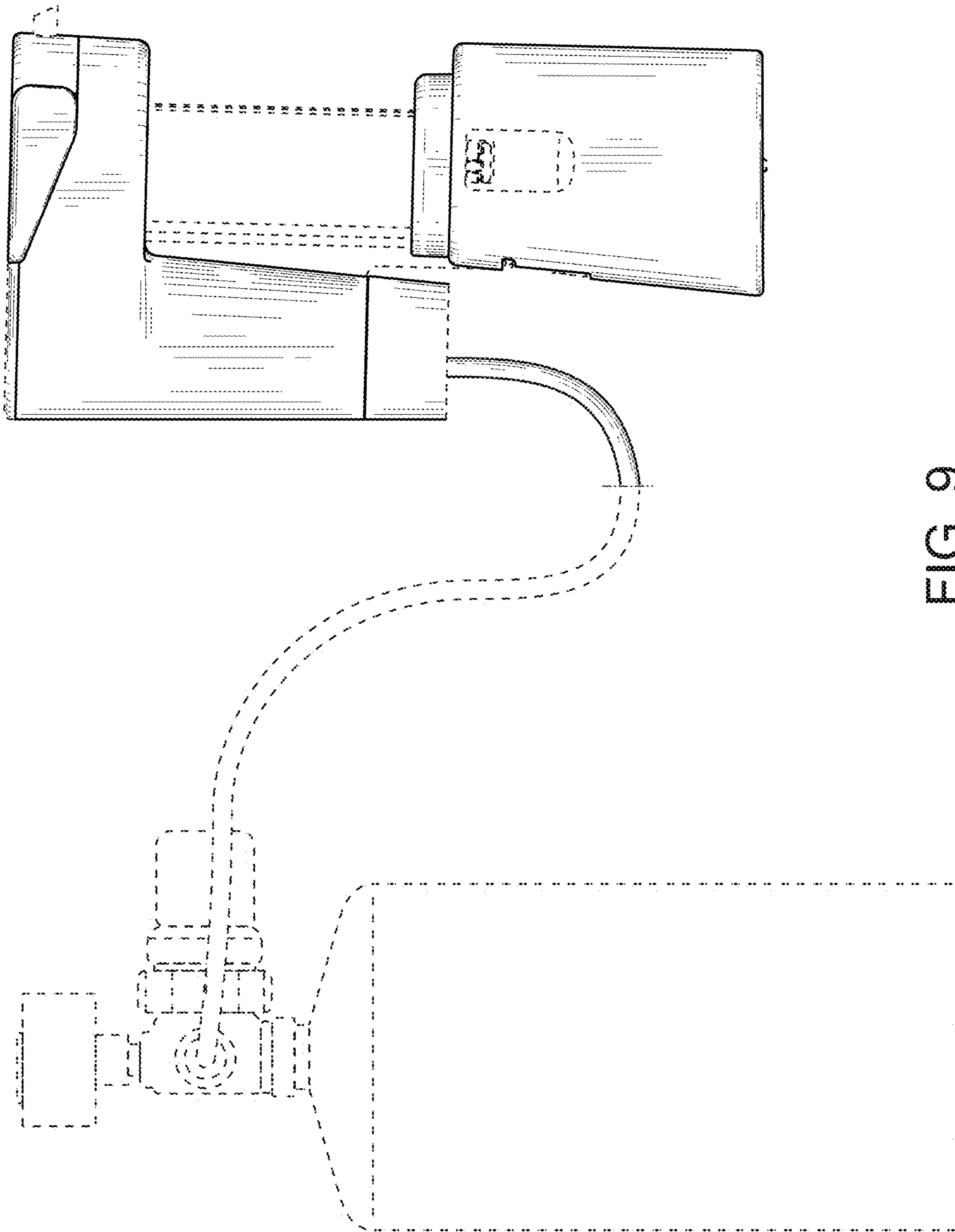


FIG. 9