



US00D906044S

(12) **United States Design Patent** (10) **Patent No.:** **US D906,044 S**
Stropkay et al. (45) **Date of Patent:** **** *Dec. 29, 2020**

- (54) **BEVERAGE DISPENSER WITH HOSE**
- (71) Applicant: **Coravin, Inc.**, Burlington, MA (US)
- (72) Inventors: **Scott Stropkay**, Carlisle, MA (US);
Mark Matthews, Scituate, MA (US);
Rory McGarry, Hingham, MA (US);
Otto DeRuntz, Dunstable, MA (US);
Michael Rider, Lowell, MA (US)
- (73) Assignee: **Coravin, Inc.**, Bedford, MA (US)
- (*) Notice: This patent is subject to a terminal disclaimer.
- (**) Term: **15 Years**
- (21) Appl. No.: **29/664,341**
- (22) Filed: **Sep. 24, 2018**
- (51) **LOC (12) Cl.** **07-99**
- (52) **U.S. Cl.**
USPC **D7/397**; D7/300; D7/665
- (58) **Field of Classification Search**
USPC D7/397-401, 309-311, 306, 605, 392.1,
D7/396.2, 316-319, 300, 665, 312, 313;
D8/42; D9/447, 448
CPC B67D 1/0412
See application file for complete search history.

- 8,033,431 B2 10/2011 Sommerfield et al.
- D660,072 S 5/2012 Makhanlall
- D679,933 S 4/2013 Bruno et al.
- D689,353 S 9/2013 Dockser et al.

(Continued)

OTHER PUBLICATIONS

CNET, The Coravin Model 11, Jan. 9, 2018, Youtube, https://www.youtube.com/watch?v=LIORvj_ch30 (Year: 2018).*

(Continued)

Primary Examiner — Brett Miller

(74) *Attorney, Agent, or Firm* — Wolf, Greenfield & Sacks, P.C.

(57) **CLAIM**

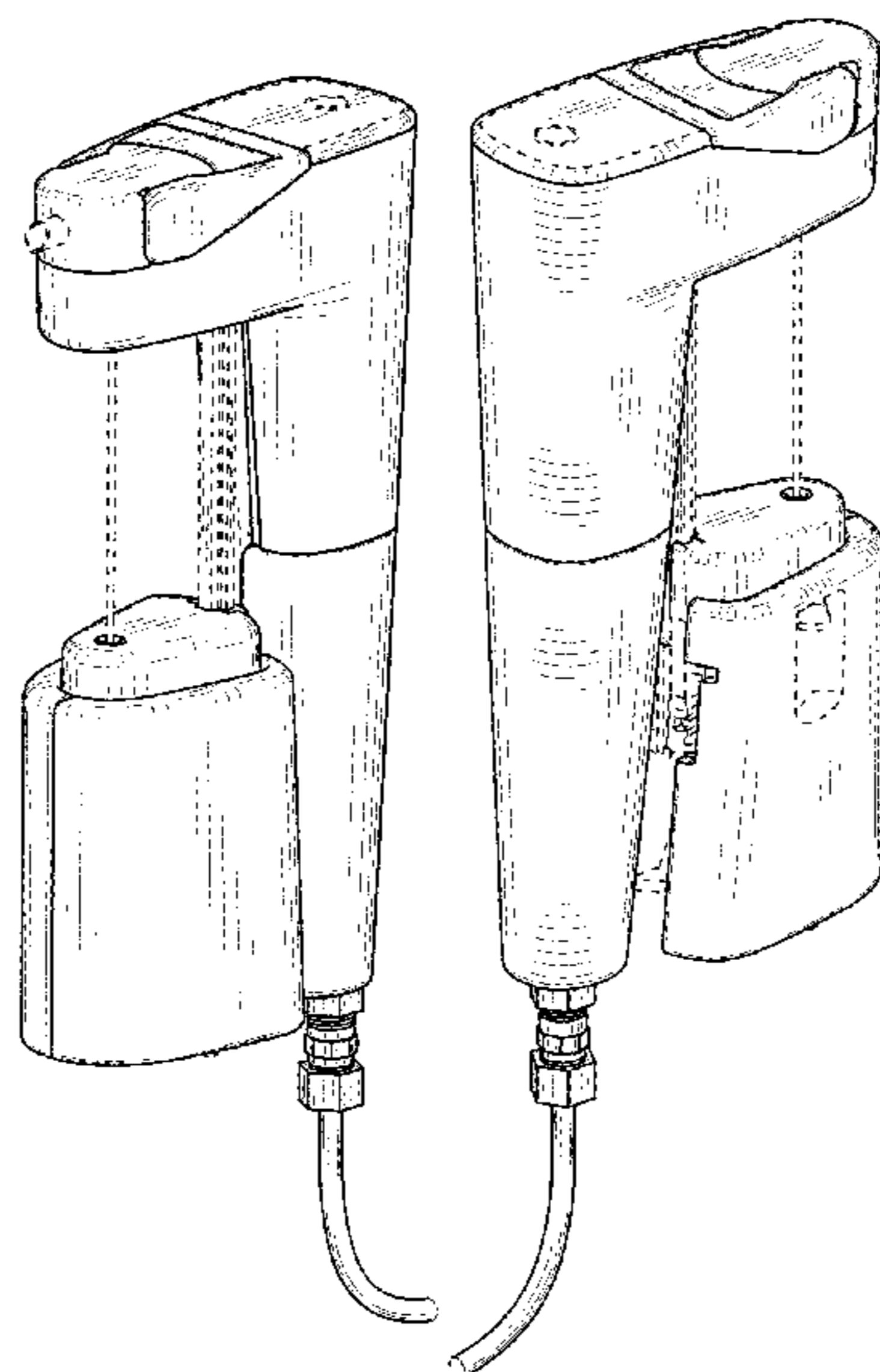
The ornamental design for a beverage dispenser with hose, as shown and described.

DESCRIPTION

FIG. 1 is a top, front, right side perspective view of a beverage dispenser with hose showing our new design; FIG. 2 is a front elevation view thereof; FIG. 3 is a right side elevation view thereof; FIG. 4 is a top plan view thereof; FIG. 5 is a rear elevation view thereof; FIG. 6 is a left side elevation view thereof; FIG. 7 is a bottom plan view thereof; FIG. 8 is a top, rear, left side perspective view thereof; and, FIG. 9 is a left side elevation view of the beverage dispenser with hose, shown with the hose connected to a gas tank. The dash-dash broken lines shown in FIGS. 1-8 represent portions of the beverage dispenser with hose that form no part of the claimed design. The additional dash-dash broken lines shown in FIG. 9 represent environmental matter and form no part of the claimed design. The short dash-long dash broken lines define boundaries of the claimed design and form no part of the claimed design.

1 Claim, 4 Drawing Sheets

- (56) **References Cited**
U.S. PATENT DOCUMENTS
- D268,245 S 3/1983 Makino et al.
- D276,788 S 12/1984 Ravreby
- D404,604 S 1/1999 Pochopien et al.
- D442,010 S 5/2001 Collin et al.
- D464,241 S 10/2002 Sun
- D471,778 S 3/2003 Federighi
- D477,757 S 7/2003 Yu
- D600,493 S 9/2009 Pino et al.
- D610,388 S 2/2010 Hazan et al.
- 7,717,027 B2 5/2010 Sato et al.



(56)

References Cited

U.S. PATENT DOCUMENTS

D717,578 S 11/2014 Lazaris et al.
 9,010,588 B2 4/2015 Lambrecht
 D731,223 S 6/2015 Hatherell
 D755,554 S 5/2016 Lazaris et al.
 D778,125 S 2/2017 Metaxatos et al.
 D792,729 S 7/2017 Adewuyi
 D794,401 S 8/2017 Chen
 D795,026 S 8/2017 Fouquet
 D799,879 S 10/2017 Shmueli et al.
 D801,129 S 10/2017 Metaxatos et al.
 D802,976 S 11/2017 Buchik
 D812,971 S * 3/2018 Moon D7/397
 D816,383 S 5/2018 Liang
 D849,463 S 5/2019 Rider et al.
 D851,438 S 6/2019 Rider et al.
 D868,521 S * 12/2019 Stropkay D7/306
 D869,217 S * 12/2019 Stropkay D7/306

D869,231 S * 12/2019 Stropkay D7/397
 D877,563 S * 3/2020 Cauwood D7/397
 D878,152 S * 3/2020 McDonald D7/398
 D879,533 S * 3/2020 Liuzza D7/306
 D893,249 S * 8/2020 Liu D7/398
 2014/0102310 A1 * 4/2014 Aardenburg A47J 31/3676
 99/295
 2014/0183227 A1 7/2014 Barnini
 2017/0312706 A1 11/2017 Song et al.
 2018/0177329 A1 6/2018 Segiet et al.

OTHER PUBLICATIONS

U.S. Appl. No. 29/662,073, filed Aug. 31, 2018, Stropkay et al.
 U.S. Appl. No. 29/662,071, filed Aug. 31, 2018, Stropkay et al.
 U.S. Appl. No. 29/662,070, filed Aug. 31, 2018, Stropkay et al.
 U.S. Appl. No. 29/662,068, filed Aug. 31, 2018, DeRuntz et al.
 U.S. Appl. No. 29/664,346, filed Sep. 24, 2018, Stropkay et al.

* cited by examiner

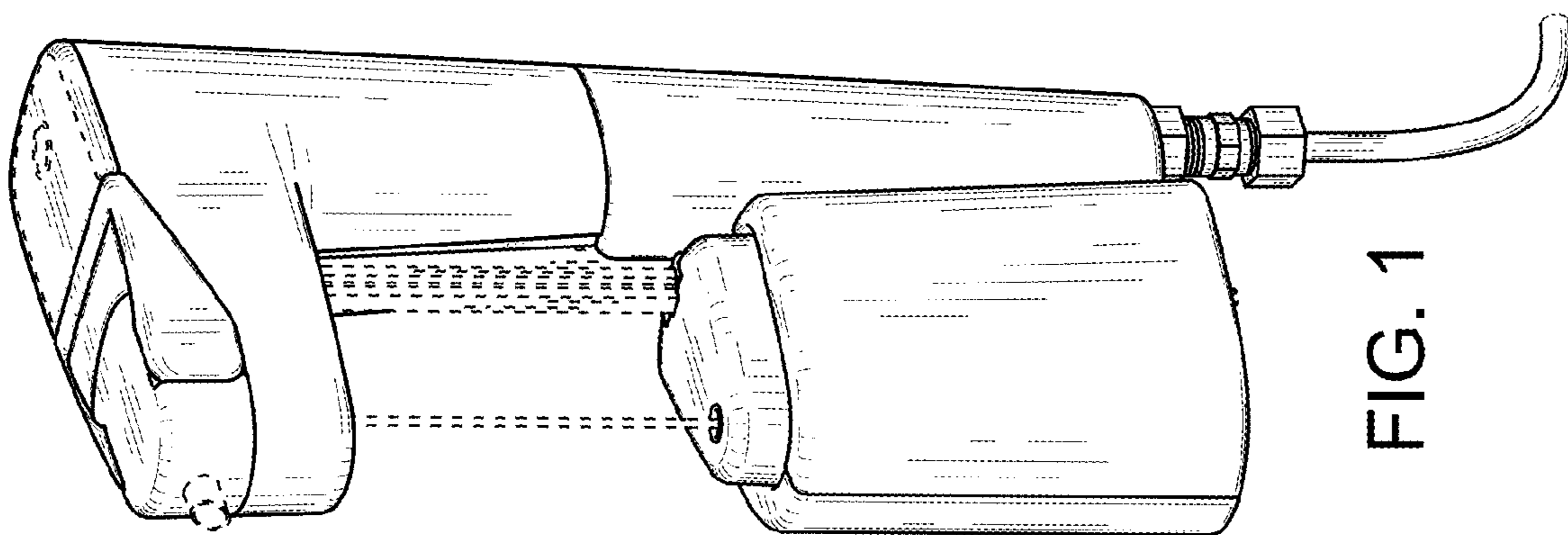


FIG. 1

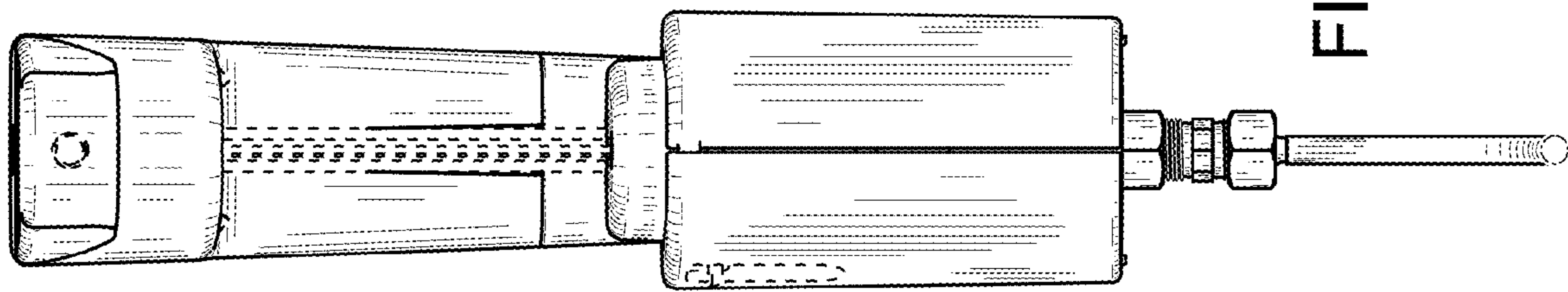


FIG. 2

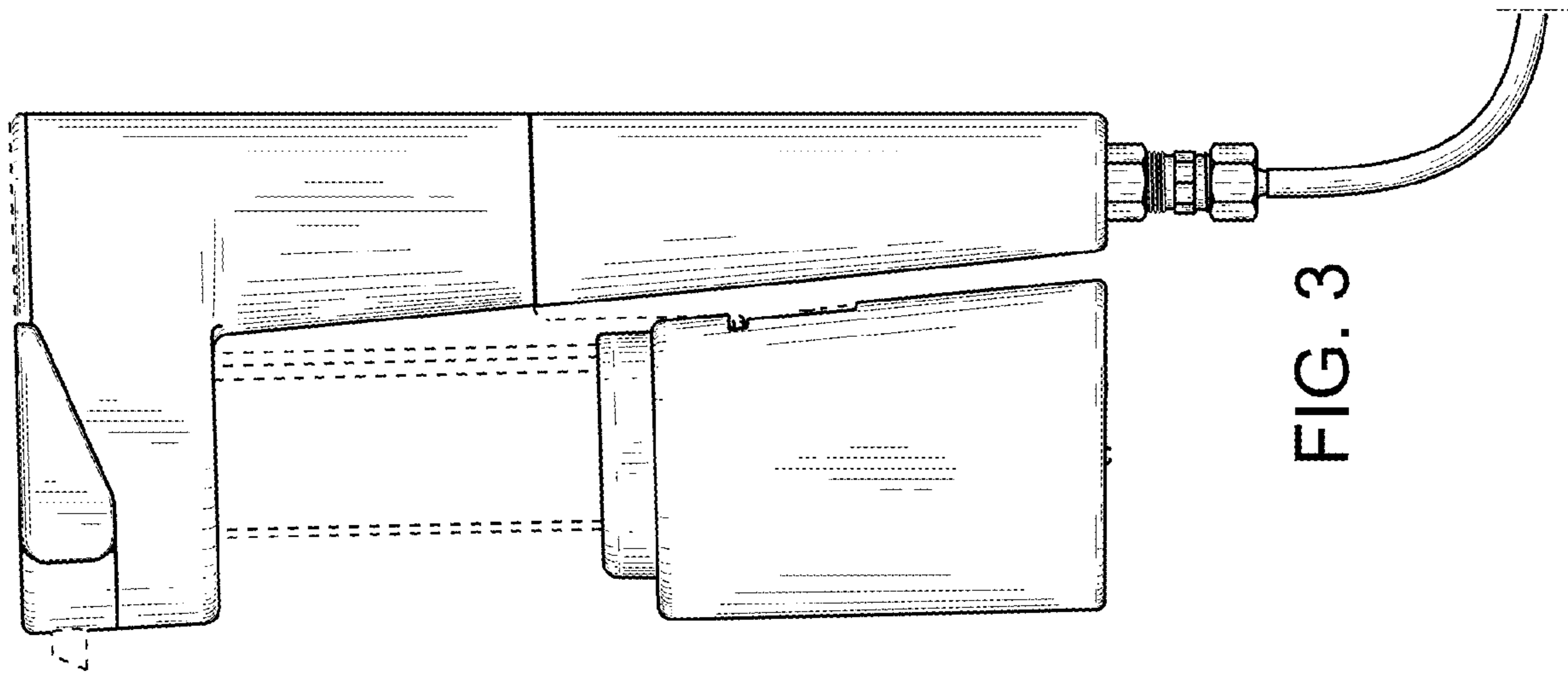


FIG. 3

FIG. 4

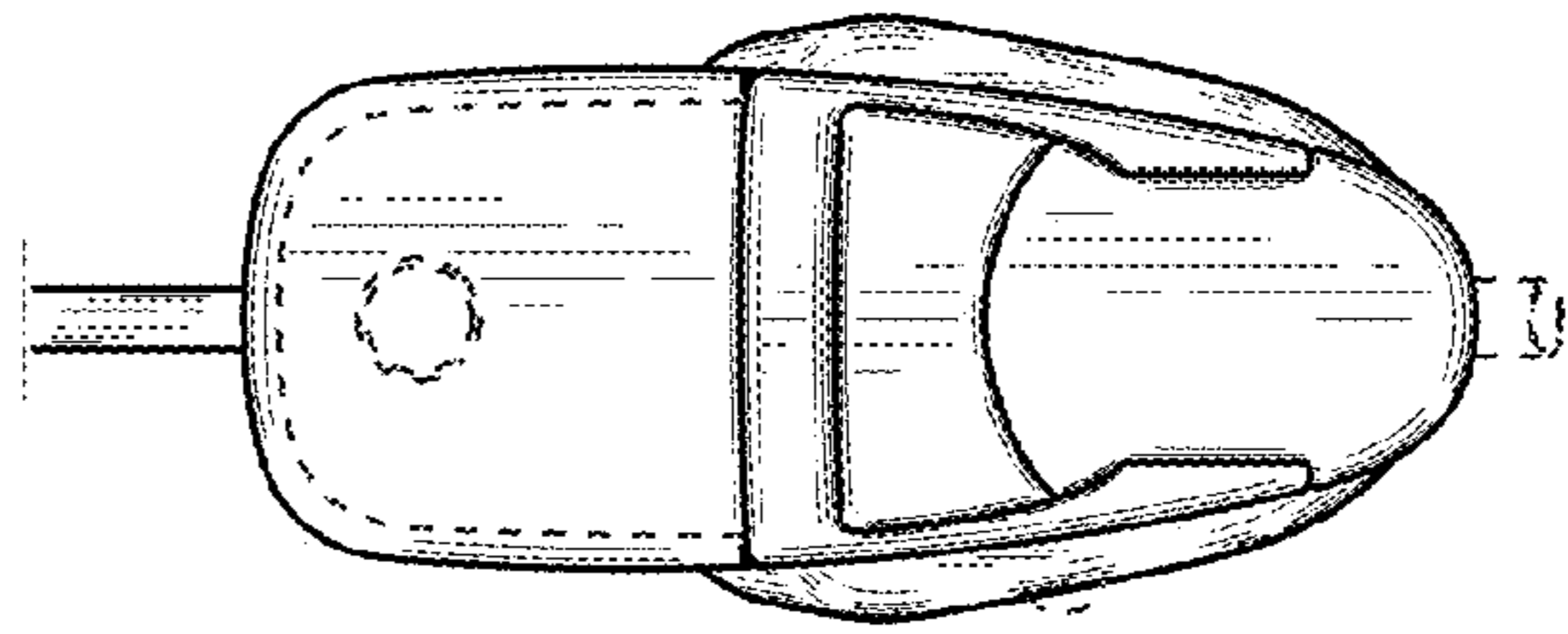


FIG. 5

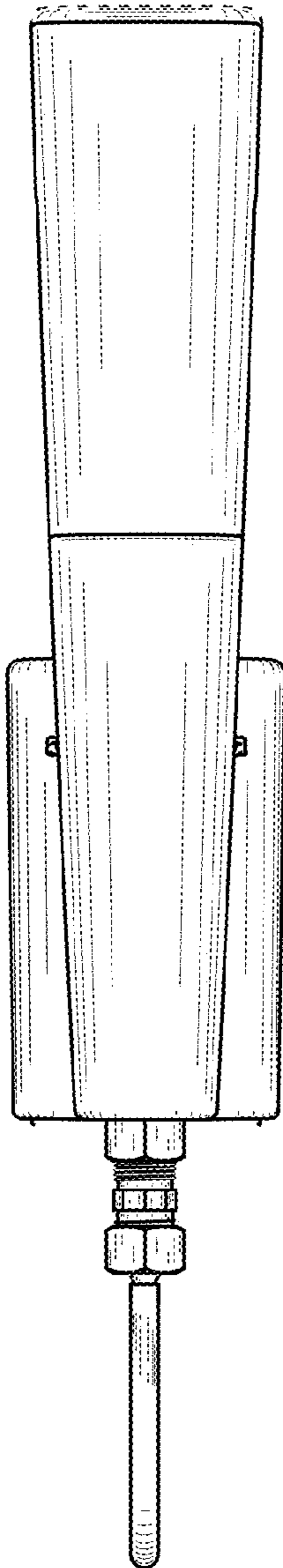


FIG. 6

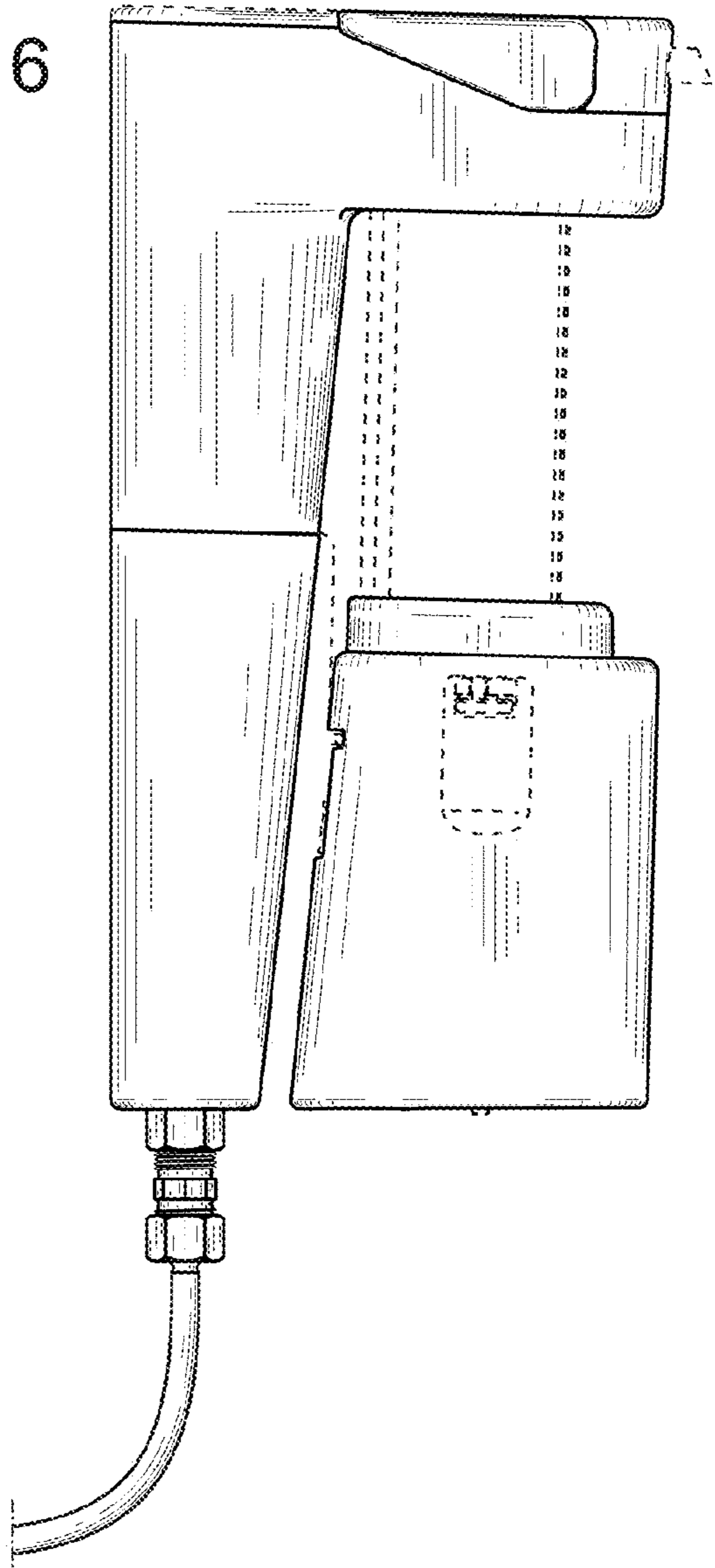
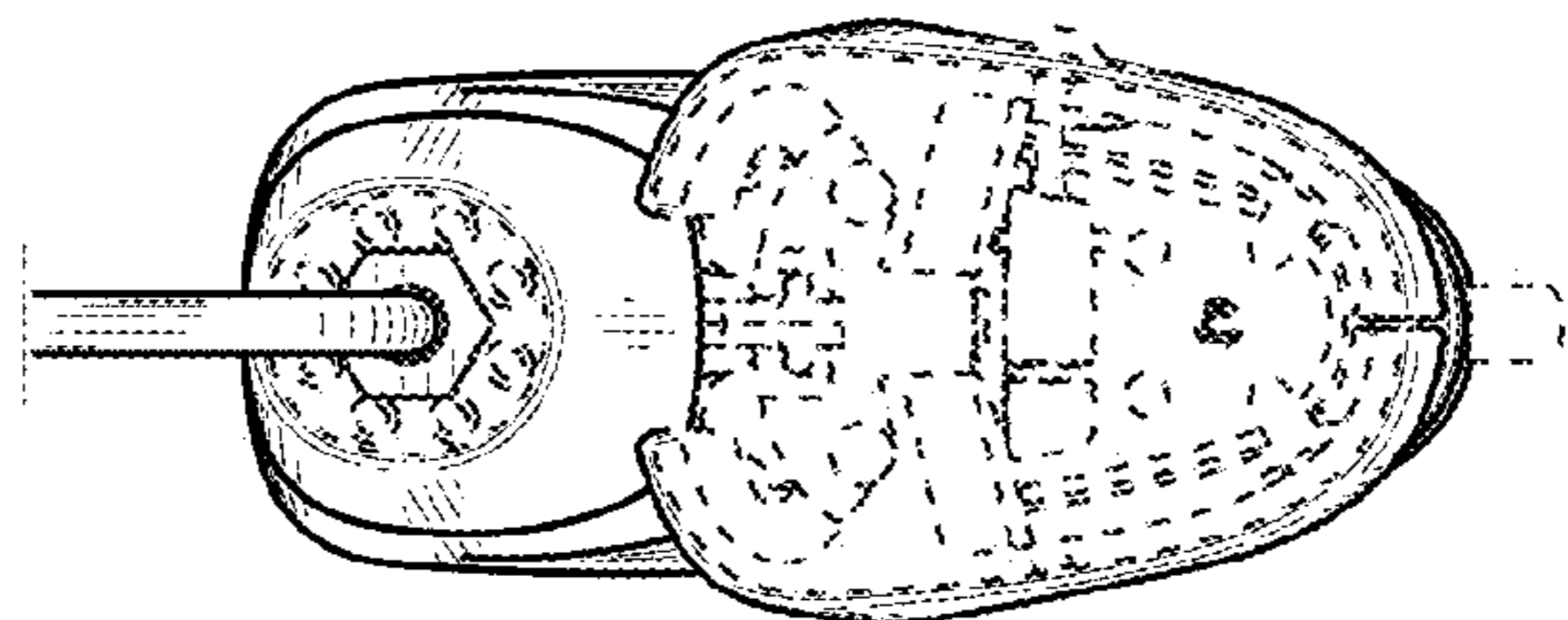


FIG. 7



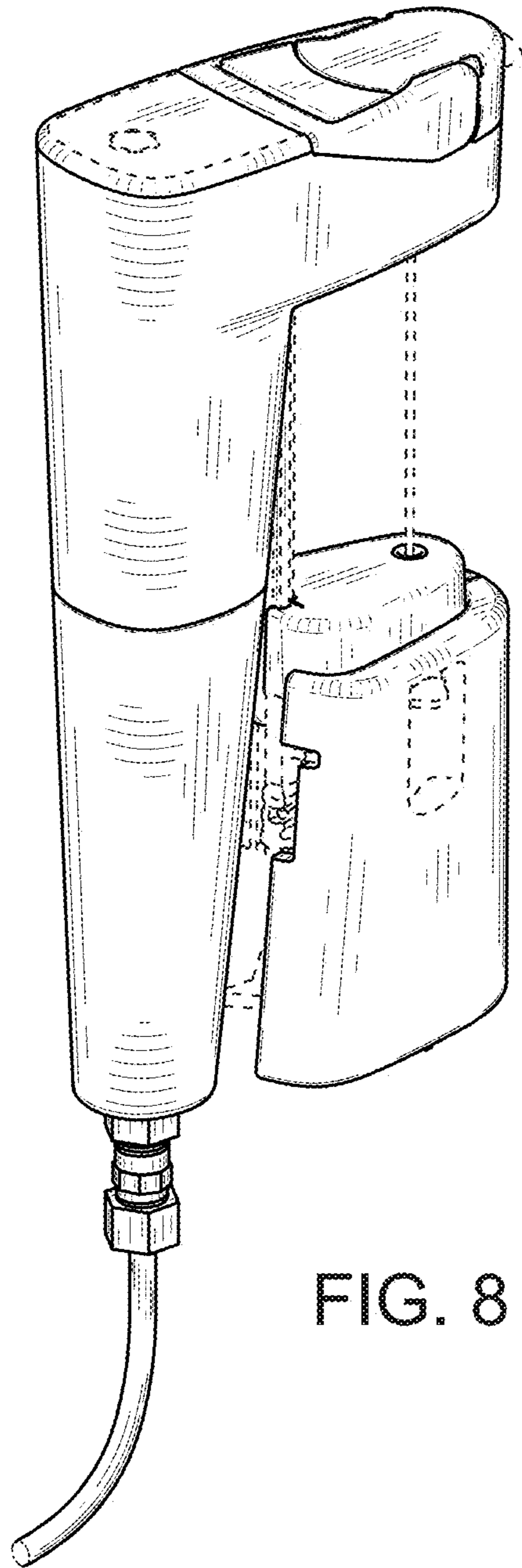


FIG. 8

FIG. 9

