



US00D906043S

(12) **United States Design Patent** (10) **Patent No.:** **US D906,043 S**
Hines et al. (45) **Date of Patent:** **** *Dec. 29, 2020**

- (54) **BEVERAGE DISPENSER**
- (71) Applicant: **Coravin, Inc.**, Burlington, MA (US)
- (72) Inventors: **Benjamin Hines**, Cranston, RI (US);
Steffen F. Koury, Nahant, MA (US);
Paul K. Metaxatos, Swampscott, MA (US)
- (73) Assignee: **Coravin, Inc.**, Bedford, MA (US)
- (*) Notice: This patent is subject to a terminal disclaimer.
- (**) Term: **15 Years**
- (21) Appl. No.: **29/662,079**
- (22) Filed: **Aug. 31, 2018**
- (51) **LOC (12) Cl.** **07-99**
- (52) **U.S. Cl.**
USPC **D7/397; D7/300; D7/665**
- (58) **Field of Classification Search**
USPC D7/397-401, 309-311, 306, 605, 392.1,
D7/396.2, 316-319, 300, 665, 312, 313;
D8/42; D9/447, 448
CPC B67D 1/0412; B67D 1/0418
See application file for complete search history.

(56) **References Cited**

U.S. PATENT DOCUMENTS

3,324,903	A *	6/1967	Hinz	B67D 1/0418
					141/17
D276,788	S *	12/1984	Ravreby	D8/42
4,674,662	A *	6/1987	Bergstrom	B67D 1/0412
					215/360
D328,200	S *	7/1992	Ibsen	D7/398
D386,350	S *	11/1997	Mogadam	D7/300
D471,760	S *	3/2003	Stadermann	D7/398
D472,762	S *	4/2003	Song	D7/397
7,712,637	B2 *	5/2010	Lambrecht	B67D 1/0412
					141/17

D689,353	S	9/2013	Dockser et al.	
D706,598	S *	6/2014	Agarwal D8/42
D717,578	S	11/2014	Lazaris et al.	
D719,403	S *	12/2014	Halioua D7/398
9,010,588	B2 *	4/2015	Lambrecht B67D 1/0412
				222/399
D755,554	S	10/2016	Lazaris et al.	
D769,064	S *	10/2016	Crowell D7/398
D778,125	S	2/2017	Metaxatos et al.	
D792,729	S *	7/2017	Adewuyi D7/306
D795,026	S *	8/2017	Fouquet D7/665
D801,129	S	10/2017	Metaxatos et al.	
D816,497	S *	5/2018	Bramwell D9/448
D817,733	S *	5/2018	Ma D8/42

(Continued)

OTHER PUBLICATIONS

U.S. Appl. No. 29/662,078, filed Aug. 31, 2018, Hines et al.
(Continued)

Primary Examiner — Brett Miller
(74) *Attorney, Agent, or Firm* — Wolf, Greenfield & Sacks, P.C.

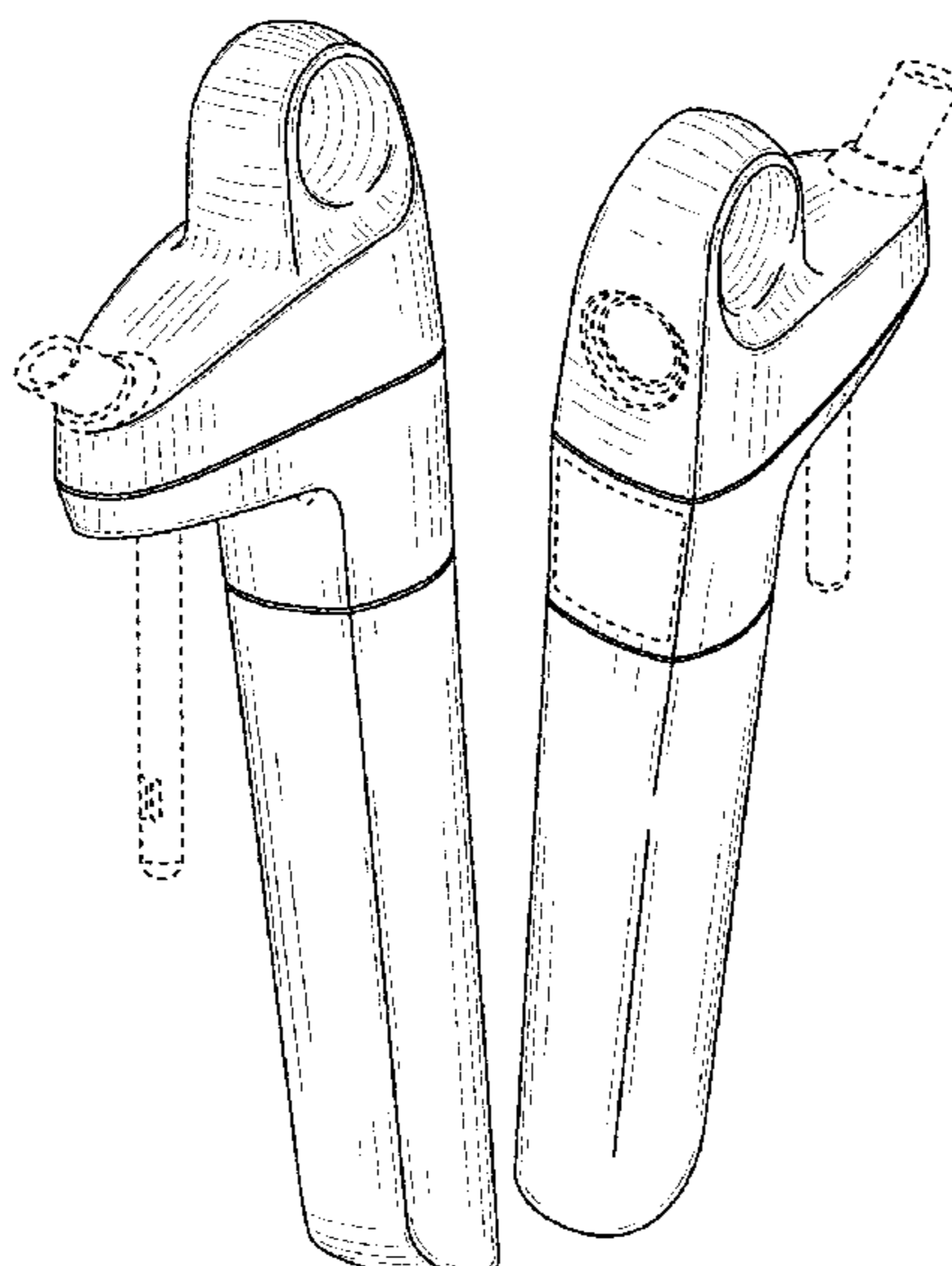
(57) **CLAIM**

The ornamental design for a beverage dispenser, as shown and described.

DESCRIPTION

FIG. 1 is a top, front, right side perspective view of a beverage dispenser showing our new design; FIG. 2 is a front elevation view thereof; FIG. 3 is a right side elevation view thereof; FIG. 4 is a top plan view thereof; FIG. 5 is a left side elevation view thereof; FIG. 6 is a bottom plan view thereof; FIG. 7 is a rear elevation view thereof; and, FIG. 8 is a top, rear, left side perspective view thereof. The broken lines represent portions of the beverage dispenser that form no part of the claimed design.

1 Claim, 3 Drawing Sheets



(56)

References Cited

U.S. PATENT DOCUMENTS

D893,249 S * 8/2020 Liu D7/398
2011/0180565 A1* 7/2011 Racino B67D 1/0418
222/61
2014/0183227 A1* 7/2014 Barnini B67D 1/0412
222/152
2016/0207752 A1* 7/2016 Bazoberry B67D 1/0412

OTHER PUBLICATIONS

U.S. Appl. No. 29/662,077, filed Aug. 31, 2018, Hines et al.
U.S. Appl. No. 29/662,076, filed Aug. 31, 2018, Hines et al.
U.S. Appl. No. 29/664,348, filed Sep. 24, 2018, Hines et al.
U.S. Appl. No. 29/664,349, filed Sep. 24, 2018, Hines et al.

* cited by examiner

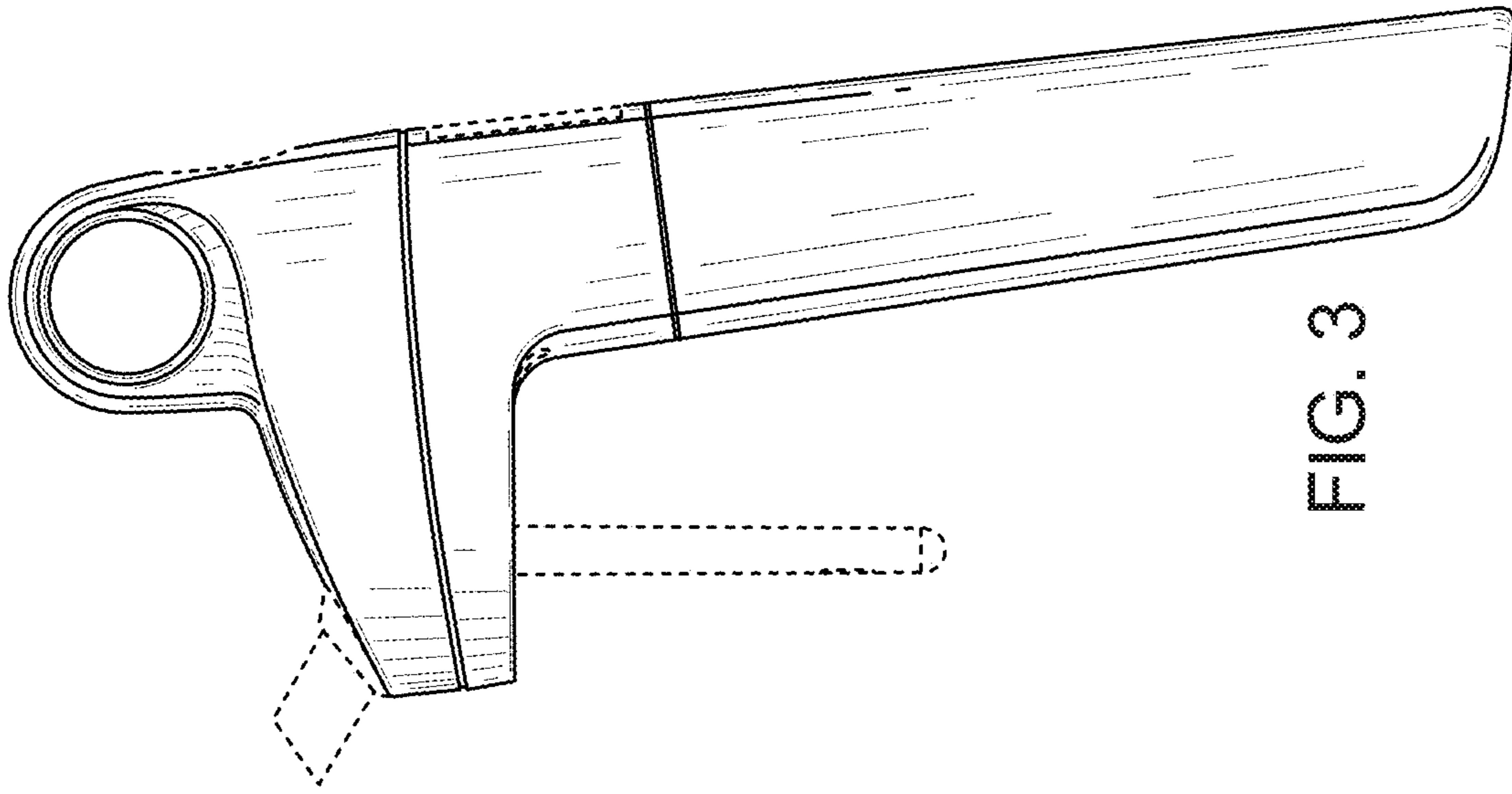


FIG. 3

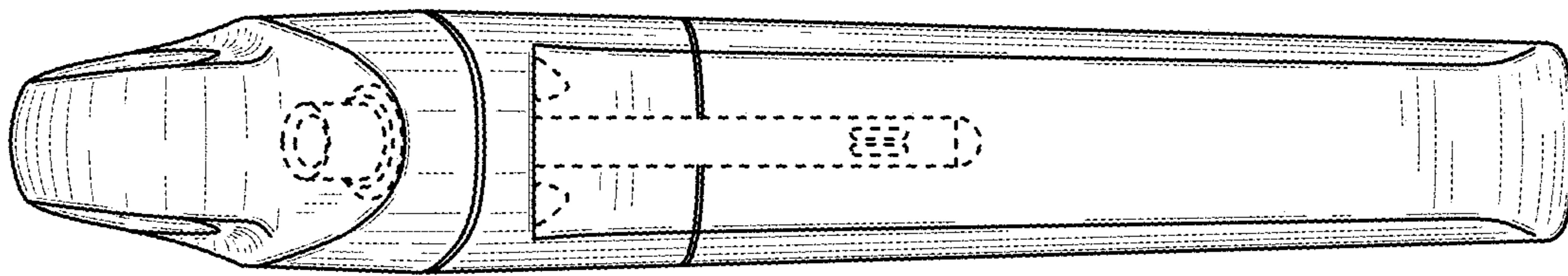


FIG. 2

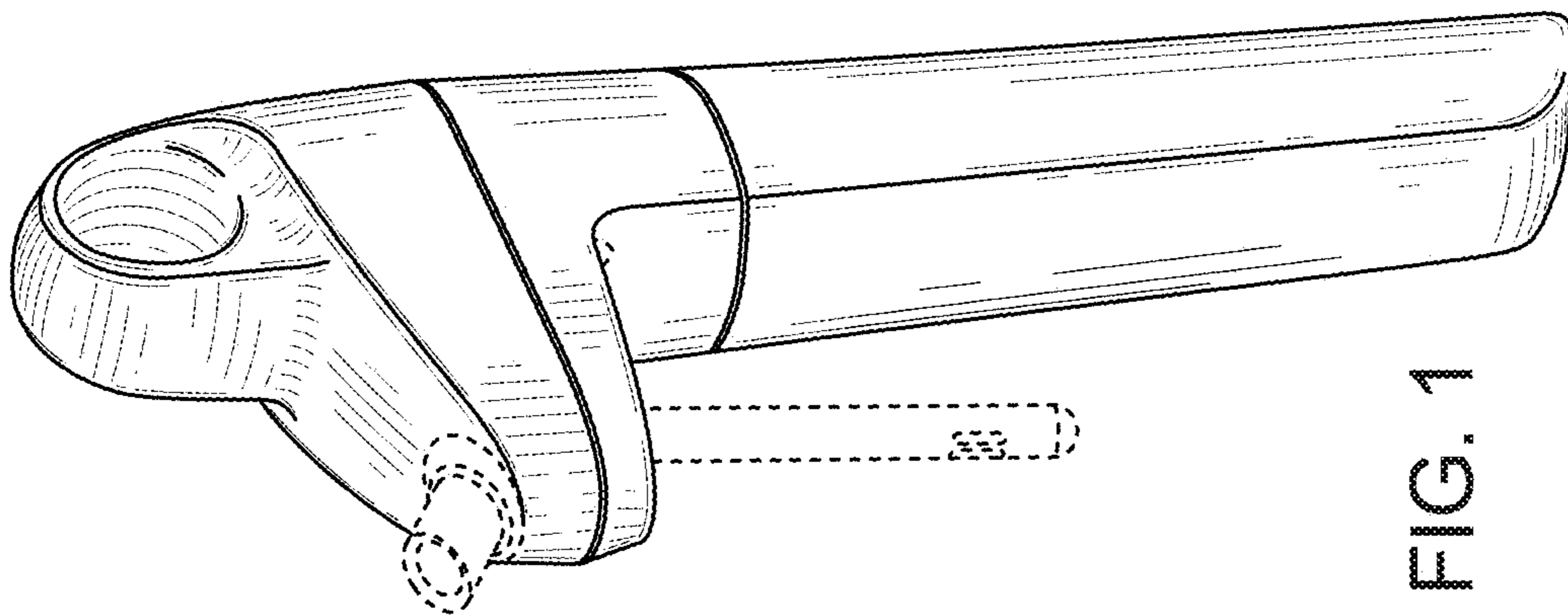


FIG. 1

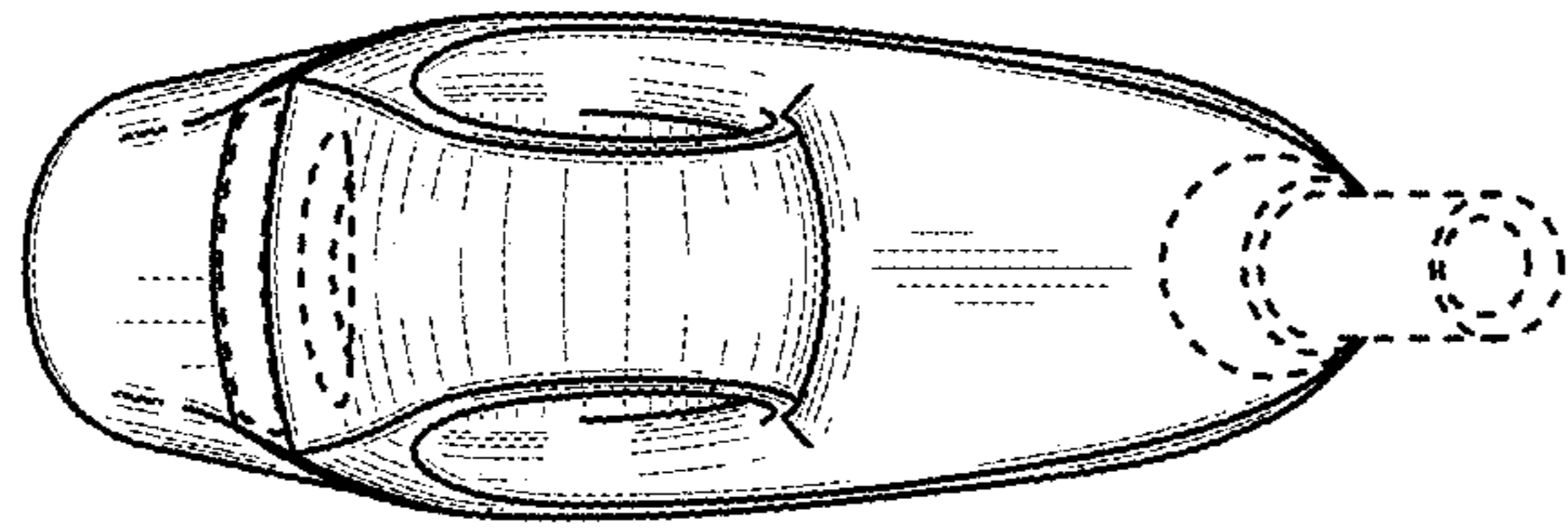


FIG. 4

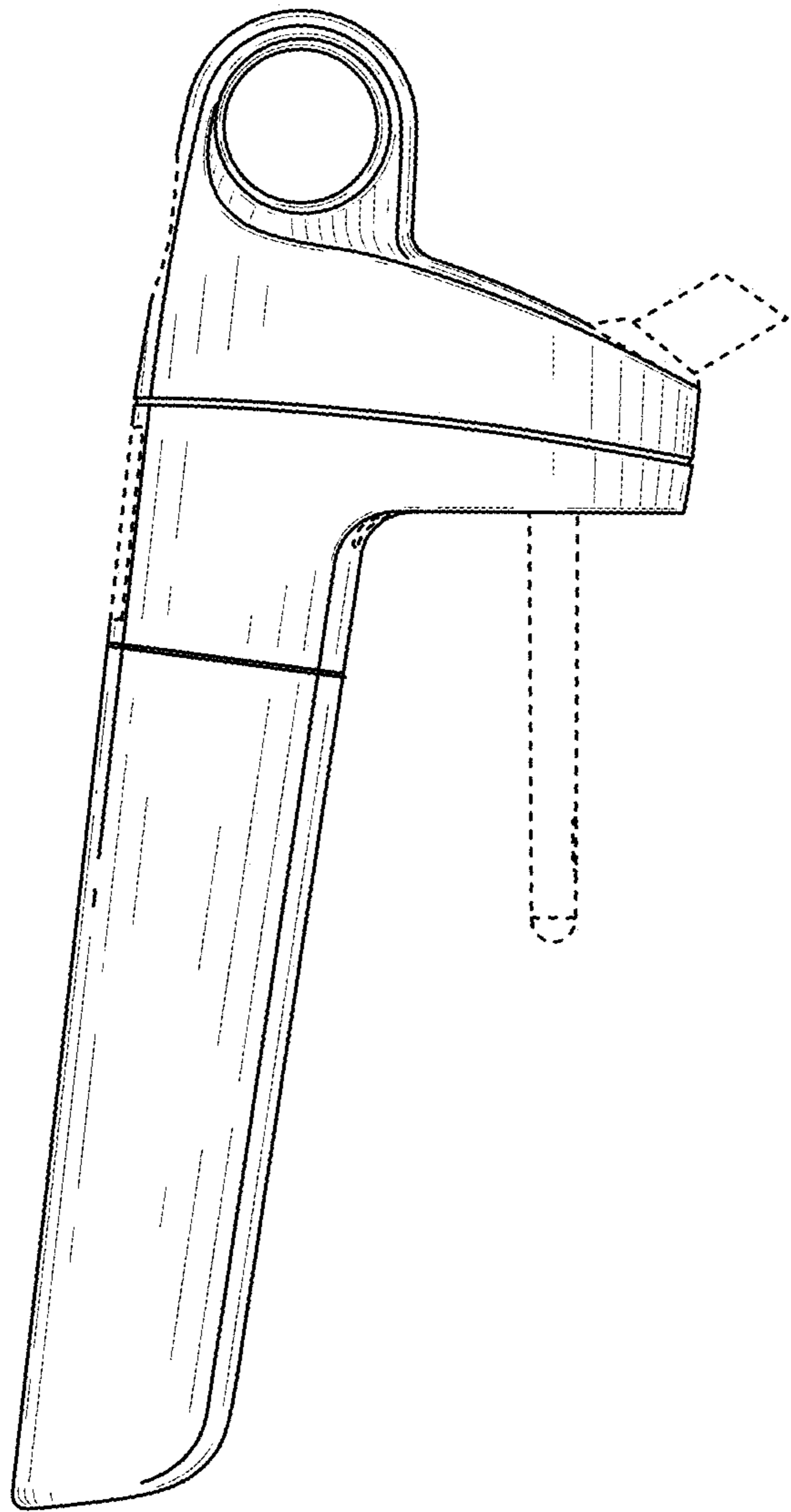


FIG. 5

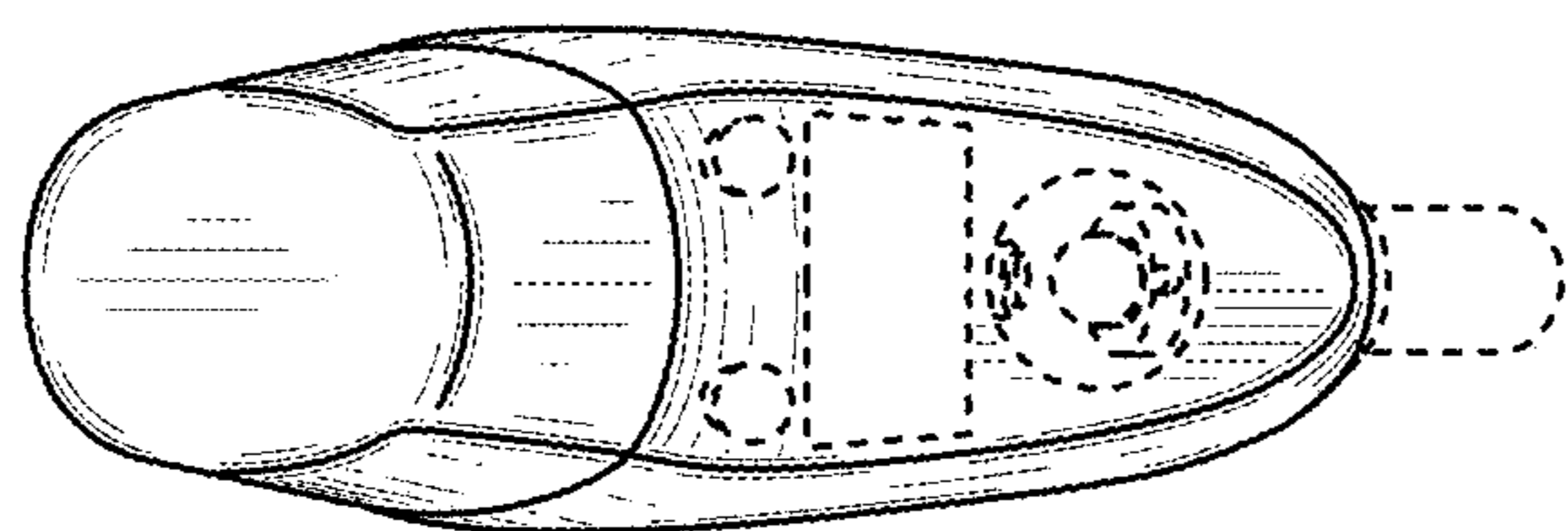


FIG. 6

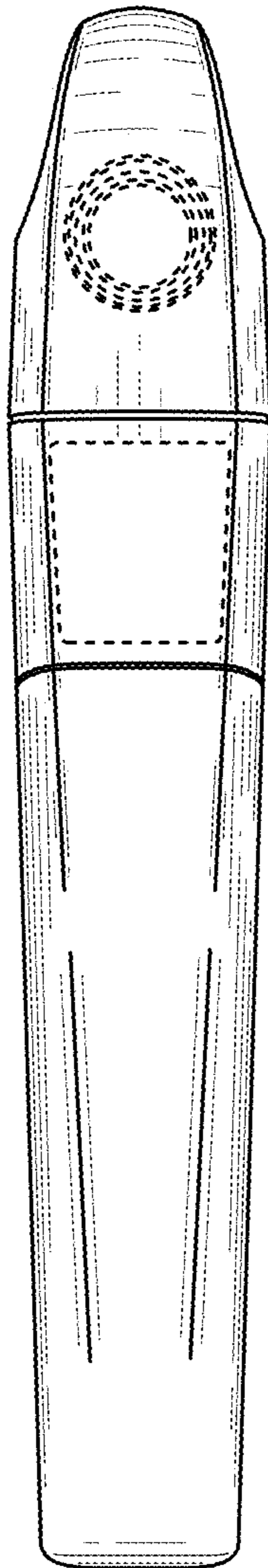


FIG. 7

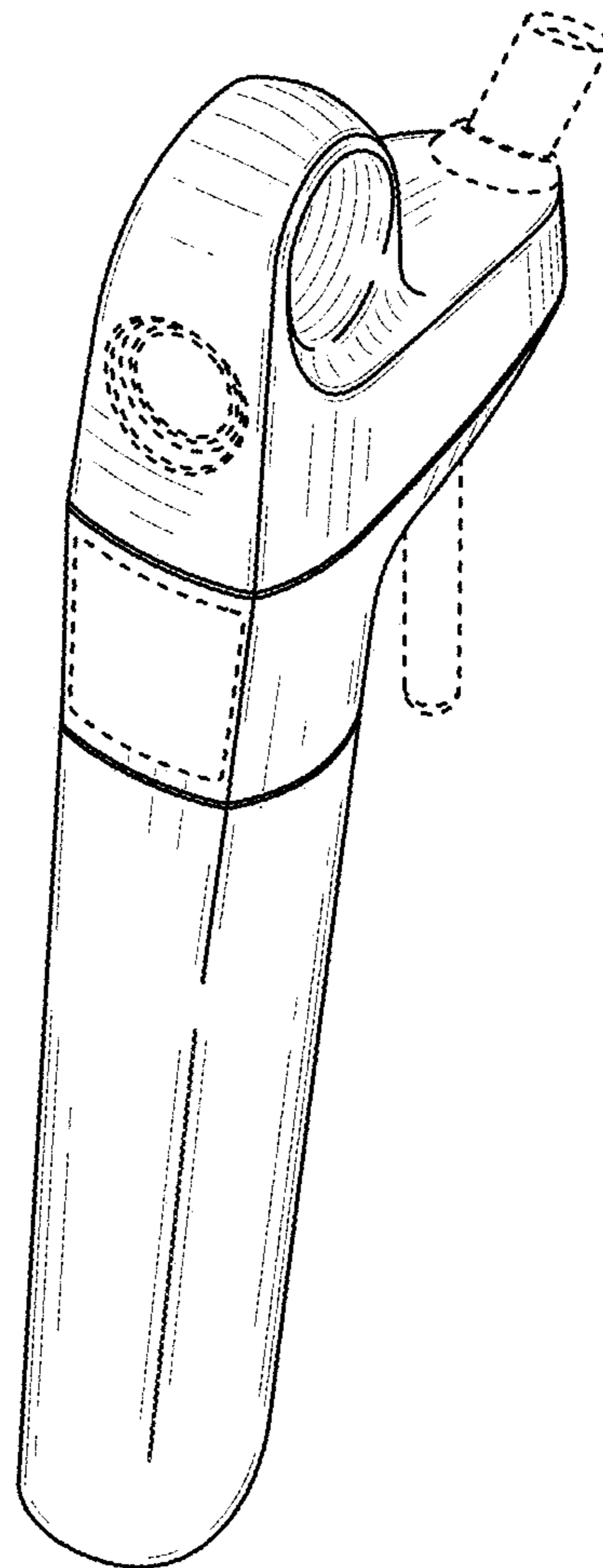


FIG. 8